



US00D867559S

(12) **United States Design Patent**  
**Carter**

(10) **Patent No.:** **US D867,559 S**

(45) **Date of Patent:** **\*\* Nov. 19, 2019**

(54) **TOILET SEAT COVER**

(71) Applicant: **Anthony Carter**, Conyers, GA (US)

(72) Inventor: **Anthony Carter**, Conyers, GA (US)

(\*\*) Term: **15 Years**

(21) Appl. No.: **29/650,164**

(22) Filed: **Jun. 5, 2018**

(51) **LOC (12) Cl.** ..... **23-02**

(52) **U.S. Cl.**  
USPC ..... **D23/311**

(58) **Field of Classification Search**  
USPC ..... D23/295-301, 303, 309, 311-313; D5/1,  
D5/2; D6/611; D7/391; D19/1-6  
CPC ..... A47K 11/02; A47K 11/026; A47K 11/00;  
A47K 13/00; E03D 11/18; E03D 5/10;  
E03D 13/00  
See application file for complete search history.

(56) **References Cited**

**U.S. PATENT DOCUMENTS**

D32,290	S	*	2/1900	Baldwin	.....	4/245.1
2,025,941	A	*	12/1935	Dunnell	.....	A47K 13/16 4/244.1
2,241,171	A	*	5/1941	Wallace	.....	A47K 13/16 4/245.8
2,944,664	A	*	7/1960	Thomasma	.....	A47C 31/11 206/494
4,745,640	A	*	5/1988	Nelson	.....	A47K 13/14 4/245.6
D356,634	S	*	3/1995	Adams	.....	D23/309
5,557,809	A	*	9/1996	Adams	.....	A47K 13/16 4/245.3
D421,794	S	*	3/2000	Mc Gill	.....	D23/311
D451,178	S		11/2001	Massey, Jr.		
D530,804	S	*	10/2006	Forbes	.....	D23/311
D571,901	S	*	6/2008	Stewart	.....	D23/309
7,854,028	B1		12/2010	Williams		
D649,626	S	*	11/2011	Kim	.....	4/245.1
D662,755	S	*	7/2012	Salvaneschi	.....	D6/611
D686,709	S	*	7/2013	Mortlock	.....	D23/311

8,656,523	B2		2/2014	Vaniakin		
9,084,517	B2		7/2015	Jenkins		
D781,404	S	*	3/2017	Galloway	.....	D23/311
D818,091	S	*	5/2018	Britt	.....	D23/311
2008/0235857	A1	*	10/2008	Tzeng	.....	A47K 13/16 4/234
2009/0183303	A1		7/2009	Stewart		
2011/0067171	A1		3/2011	Kouadio		
2014/0366255	A1	*	12/2014	Ramsey	.....	A47K 13/14 4/245.1
2015/0366417	A1	*	12/2015	Grant	.....	A47K 13/00 4/239
2017/0095126	A1		4/2017	Secchi		

**OTHER PUBLICATIONS**

Half Fold Paper Toilet Seat Cover reference [May 7, 2019]—found online [May 7, 2019]—<https://www.webstaurantstore.com/half-fold-paper-toilet-seat-cover-case/611P8362.html>.\*

\* cited by examiner

*Primary Examiner* — Brandon M Rosati

*Assistant Examiner* — John A Voytek

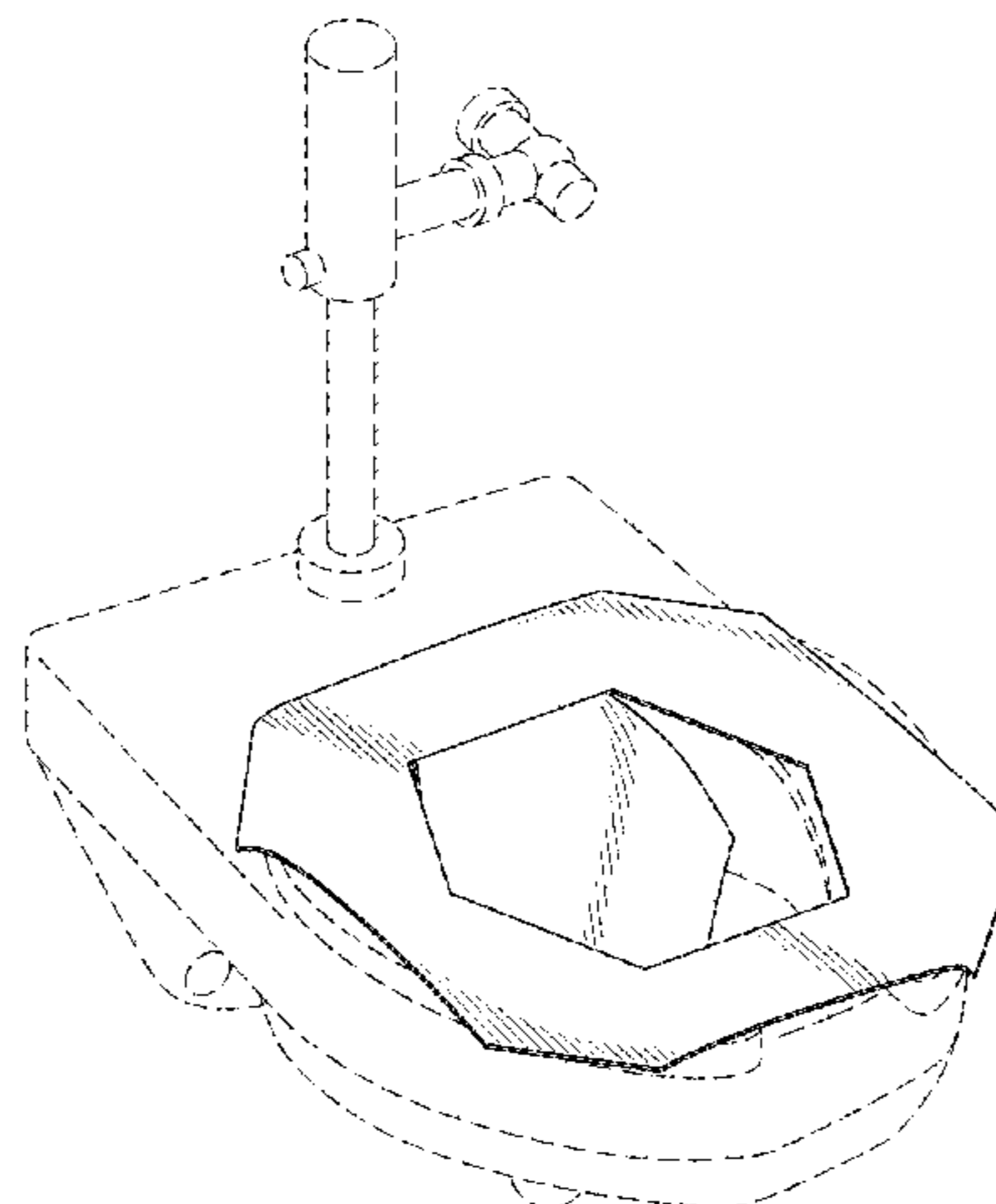
(57) **CLAIM**

The ornamental design for a toilet seat cover, as shown and described.

**DESCRIPTION**

FIG. 1 is a front view of a toilet seat cover showing my new design;  
FIG. 2 is a rear view of the toilet seat cover;  
FIG. 3 is a left side view of the toilet seat cover;  
FIG. 4 is a right side view of the toilet seat cover;  
FIG. 5 is a top view of the toilet seat cover;  
FIG. 6 is a bottom view of the toilet seat cover; and,  
FIG. 7 is a bottom front side perspective view of the toilet seat cover in use.  
The broken lines in FIG. 7 are illustrative of environment and form no part of the claimed design.

**1 Claim, 4 Drawing Sheets**



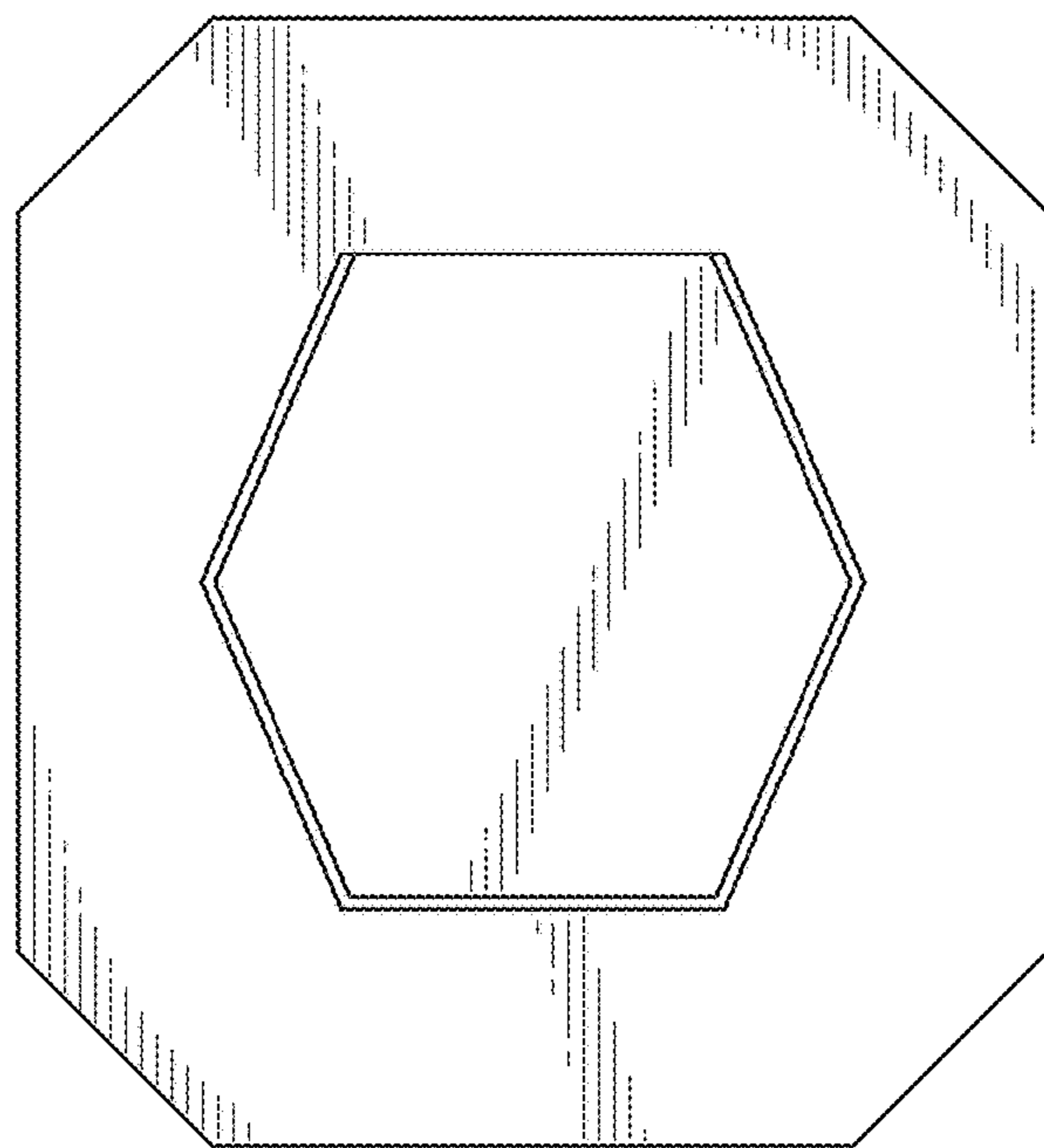


FIG. 1

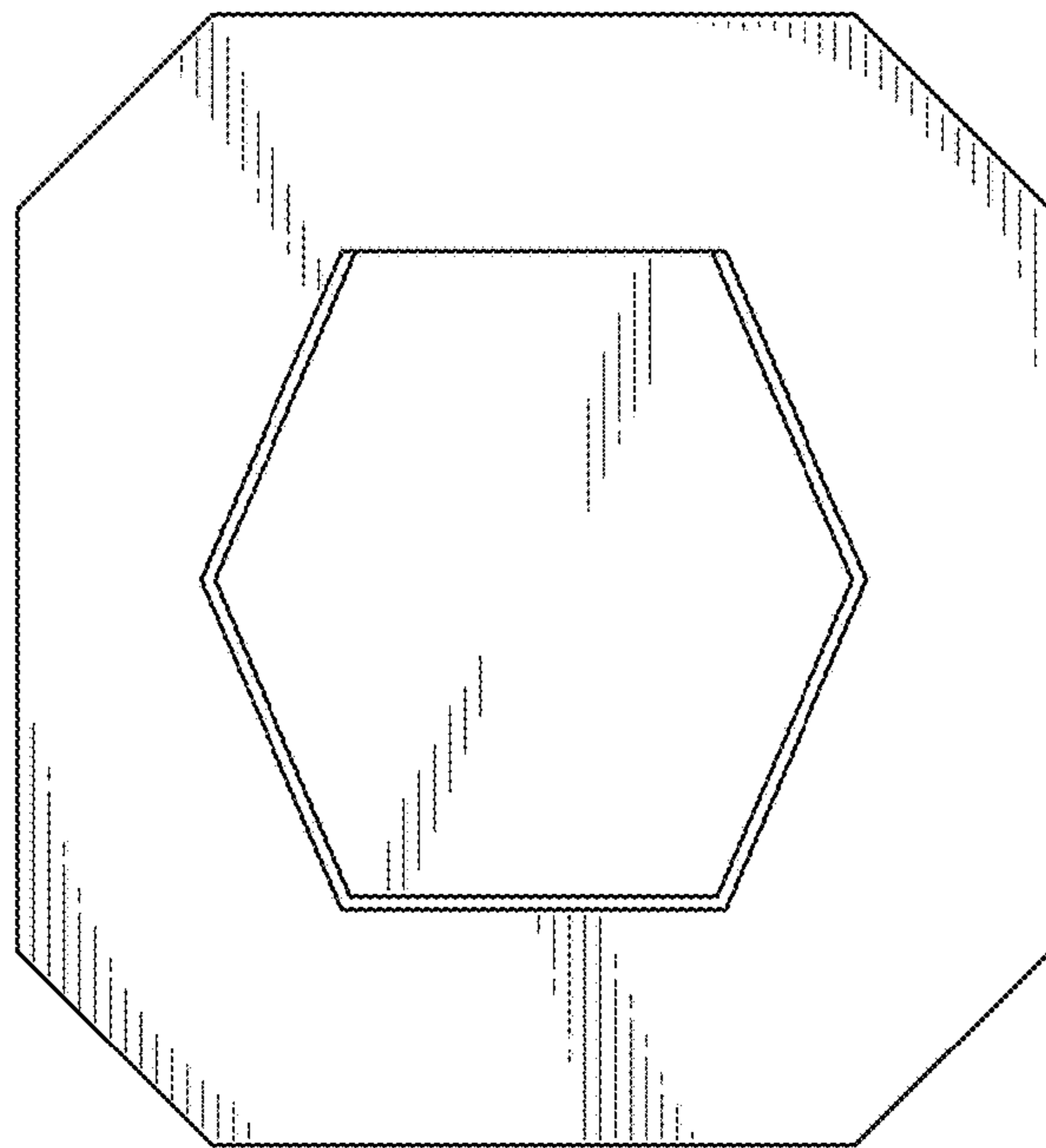


FIG. 2



FIG. 3



FIG. 4



FIG. 5



FIG. 6

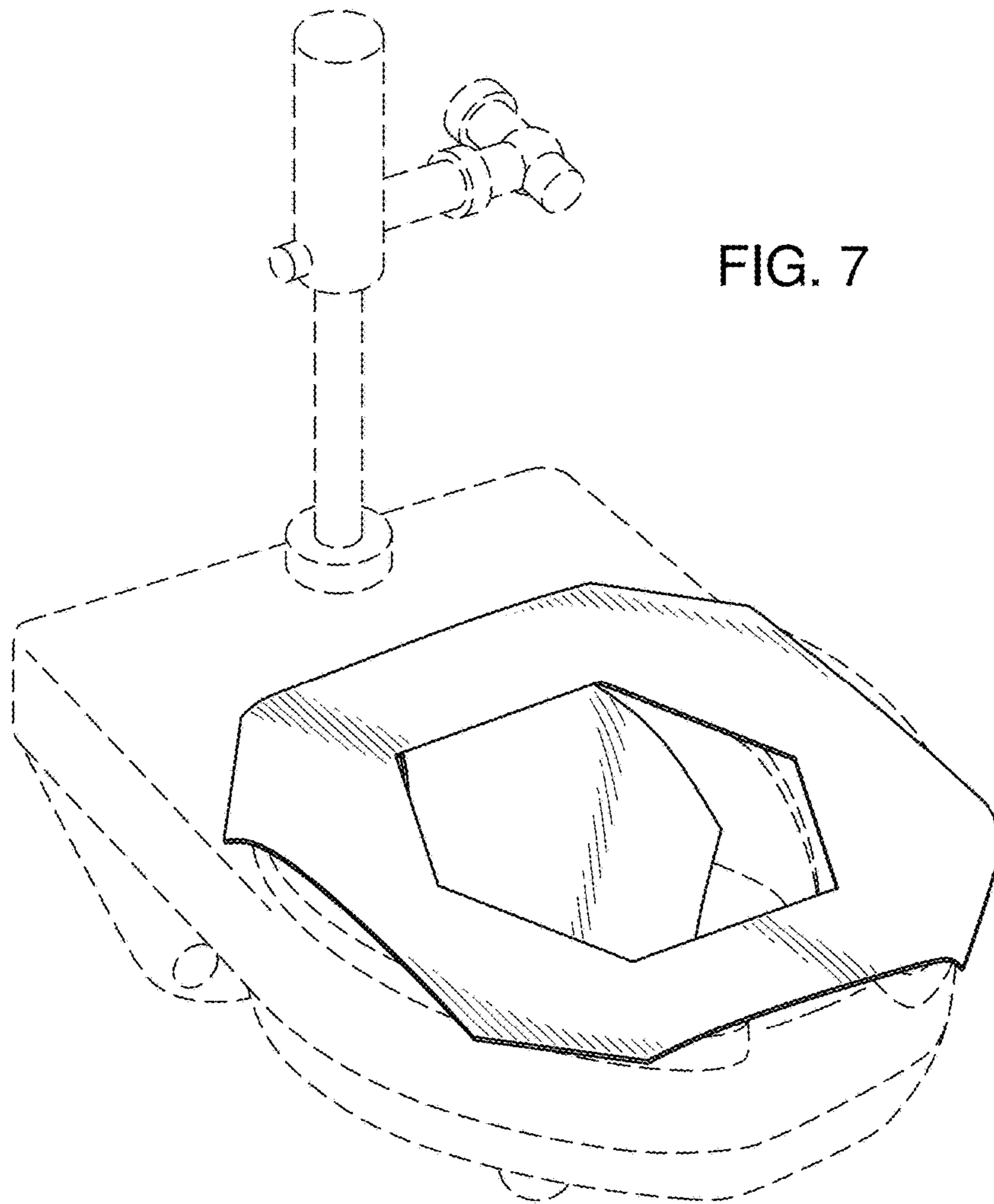


FIG. 7