



US00D867558S

(12) **United States Design Patent**  
**Olive et al.**

(10) **Patent No.:** **US D867,558 S**

(45) **Date of Patent:** **\*\* Nov. 19, 2019**

(54) **TOILET SEAT LIFTER**

6,598,246 B1 \* 7/2003 Shou ..... A61G 7/1007  
297/DIG. 10

(71) Applicants: **Gary Olive**, Live Oak, FL (US); **Leon Jerkins**, Live Oak, FL (US)

D482,765 S \* 11/2003 Ming-Hwa ..... D23/309  
D728,763 S \* 5/2015 Nelson ..... D23/299  
D829,871 S \* 10/2018 Garrels ..... D23/301

(72) Inventors: **Gary Olive**, Live Oak, FL (US); **Leon Jerkins**, Live Oak, FL (US)

\* cited by examiner

(\*\*) Term: **15 Years**

*Primary Examiner* — Robert A Delehanty

(21) Appl. No.: **29/667,998**

(74) *Attorney, Agent, or Firm* — Gulf Coast Intellectual Property Group

(22) Filed: **Oct. 26, 2018**

(57) **CLAIM**

(51) **LOC (12) Cl.** ..... **23-02**

The ornamental design for the toilet seat lifter, as shown and described.

(52) **U.S. Cl.**

USPC ..... **D23/309**

(58) **Field of Classification Search**

**DESCRIPTION**

USPC ..... D23/303, 309–312, 295–296, 299  
CPC ..... A47K 13/00; A47K 13/06  
See application file for complete search history.

FIG. 1 is a perspective view of the toilet seat lifter of present invention wherein the toilet seat lifter is in an extended position; and

(56) **References Cited**

**U.S. PATENT DOCUMENTS**

3,473,174 A \* 10/1969 Cool ..... A61G 7/1007  
4/667  
5,848,447 A \* 12/1998 Lindsay ..... A47K 13/10  
4/667  
6,035,462 A \* 3/2000 Bennett ..... A61G 7/1007  
4/254

FIG. 2 is a front view thereof; and

FIG. 3 is a rear view thereof; and

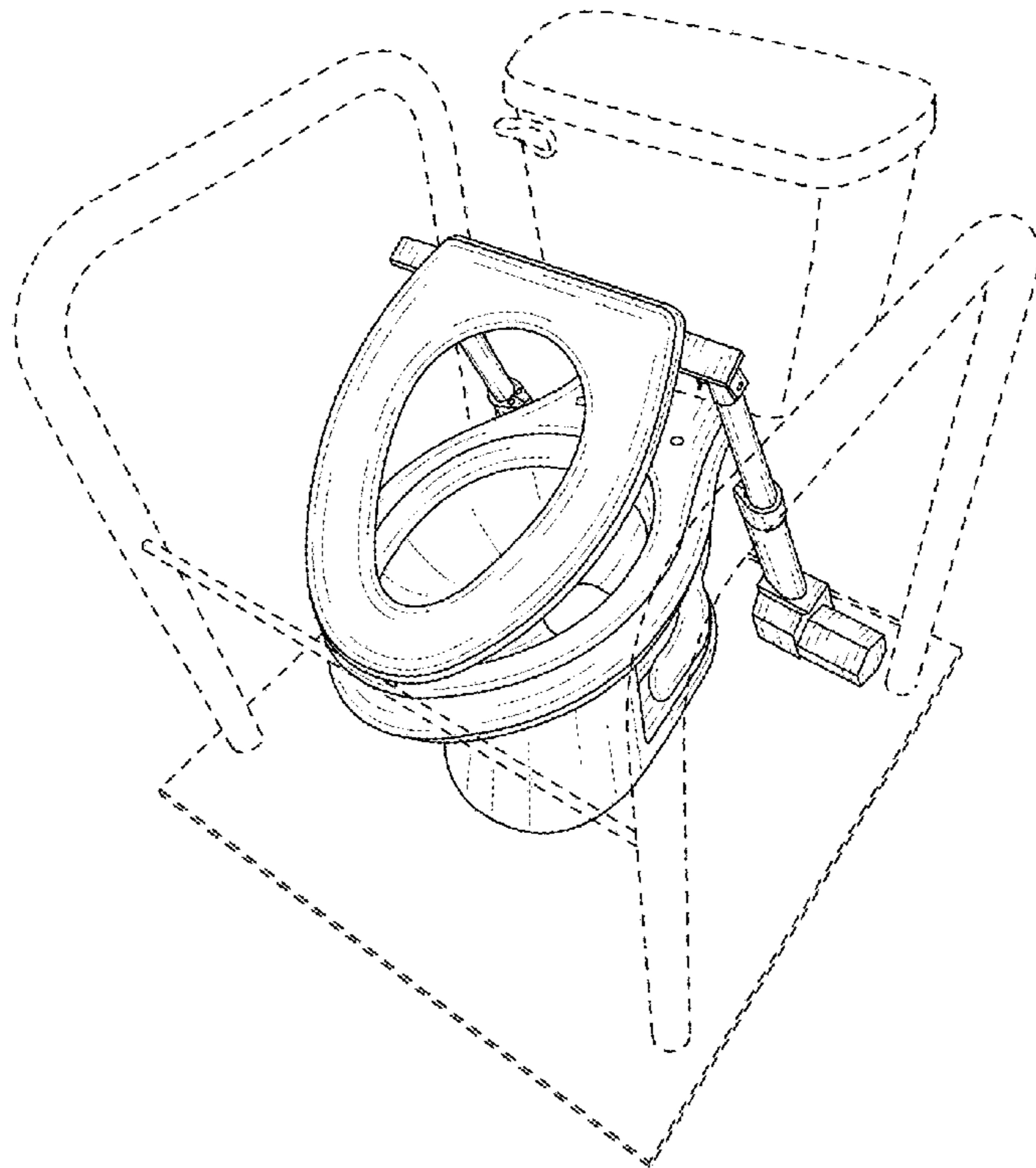
FIG. 4 is a left side view thereof; and

FIG. 5 is right side view thereof; and,

FIG. 6 is a top view of the present invention.

Wherein the broken lines herein illustrate use and environment and do not form a part of the claimed invention.

**1 Claim, 6 Drawing Sheets**



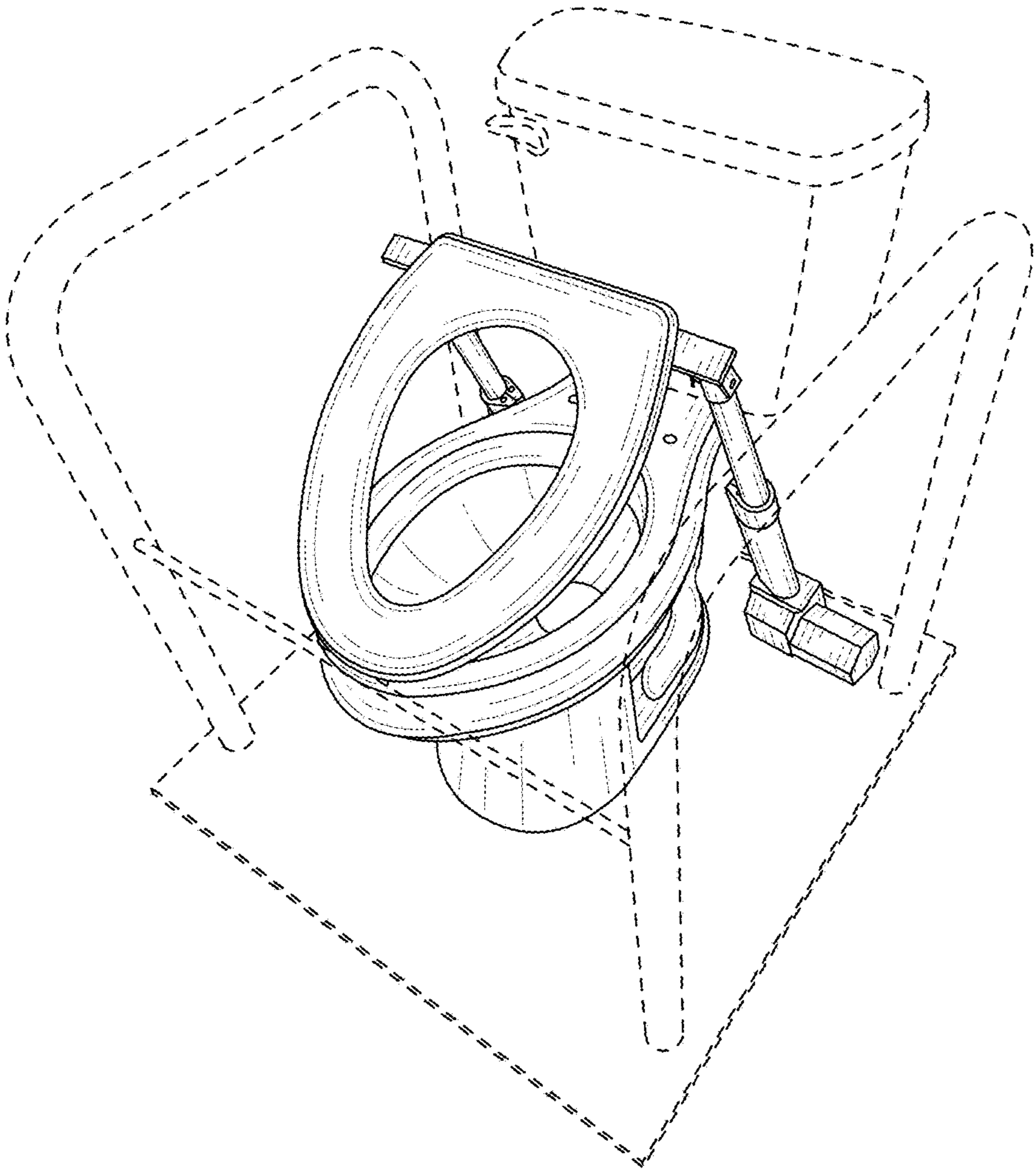


FIG. 1

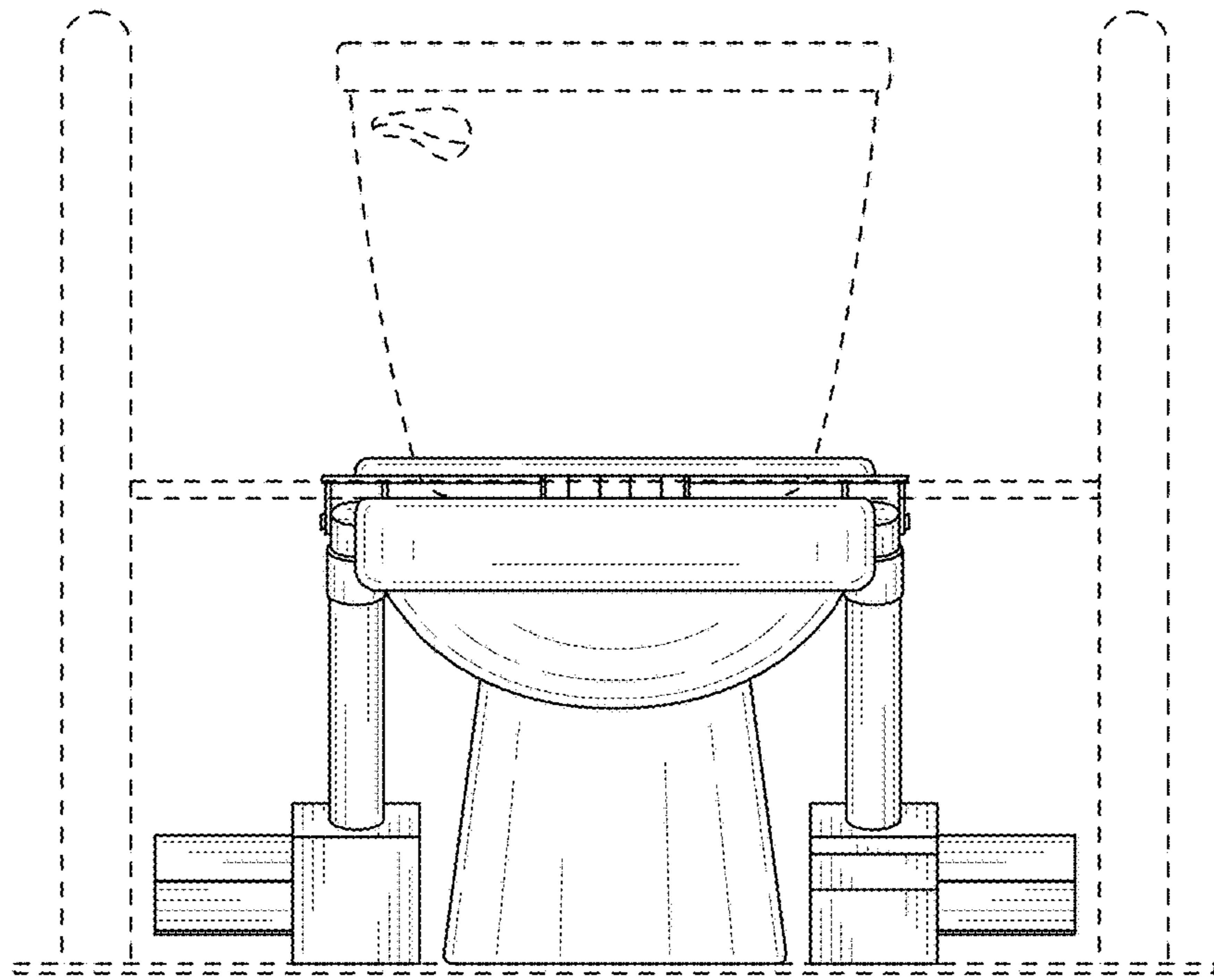


FIG. 2

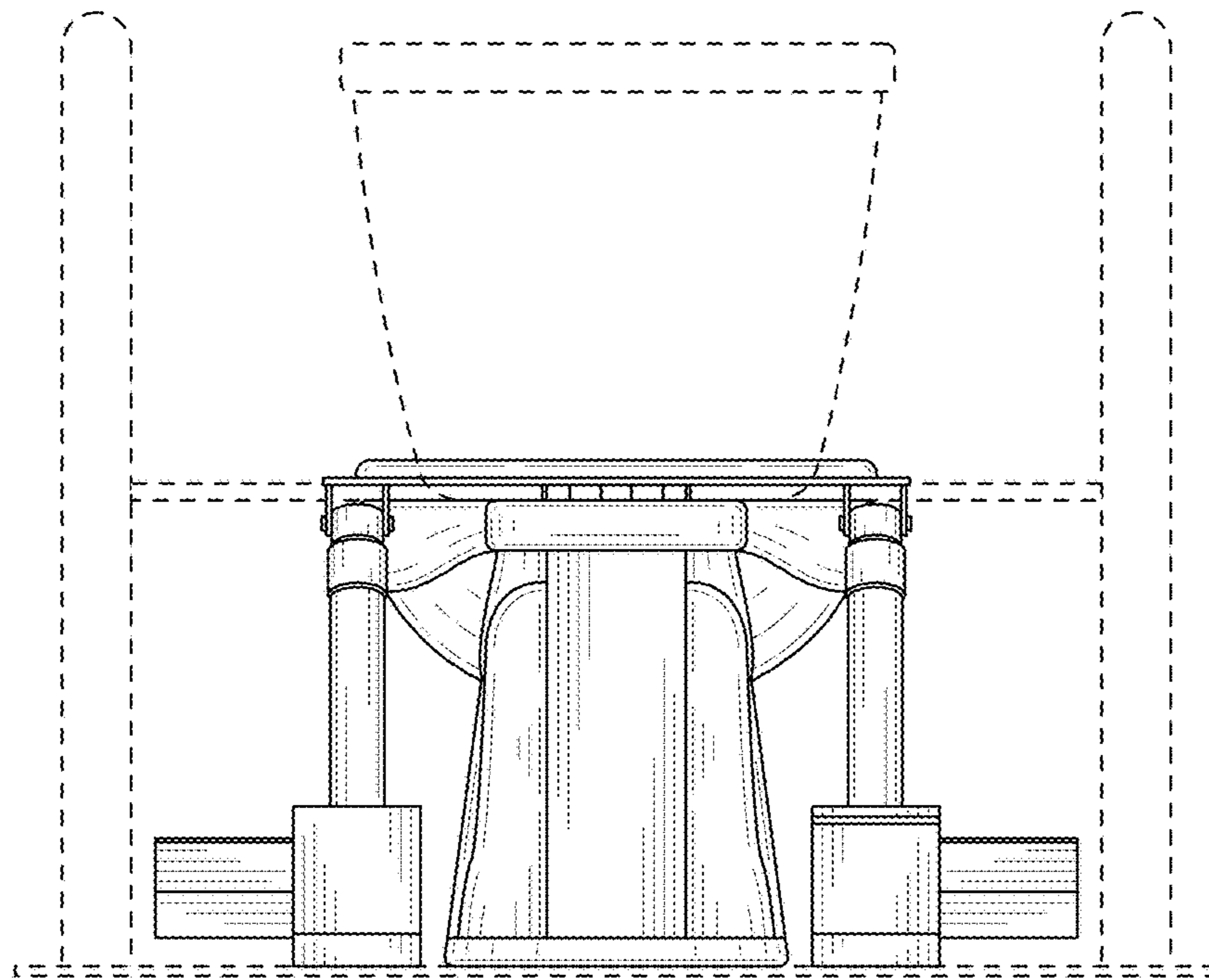


FIG. 3

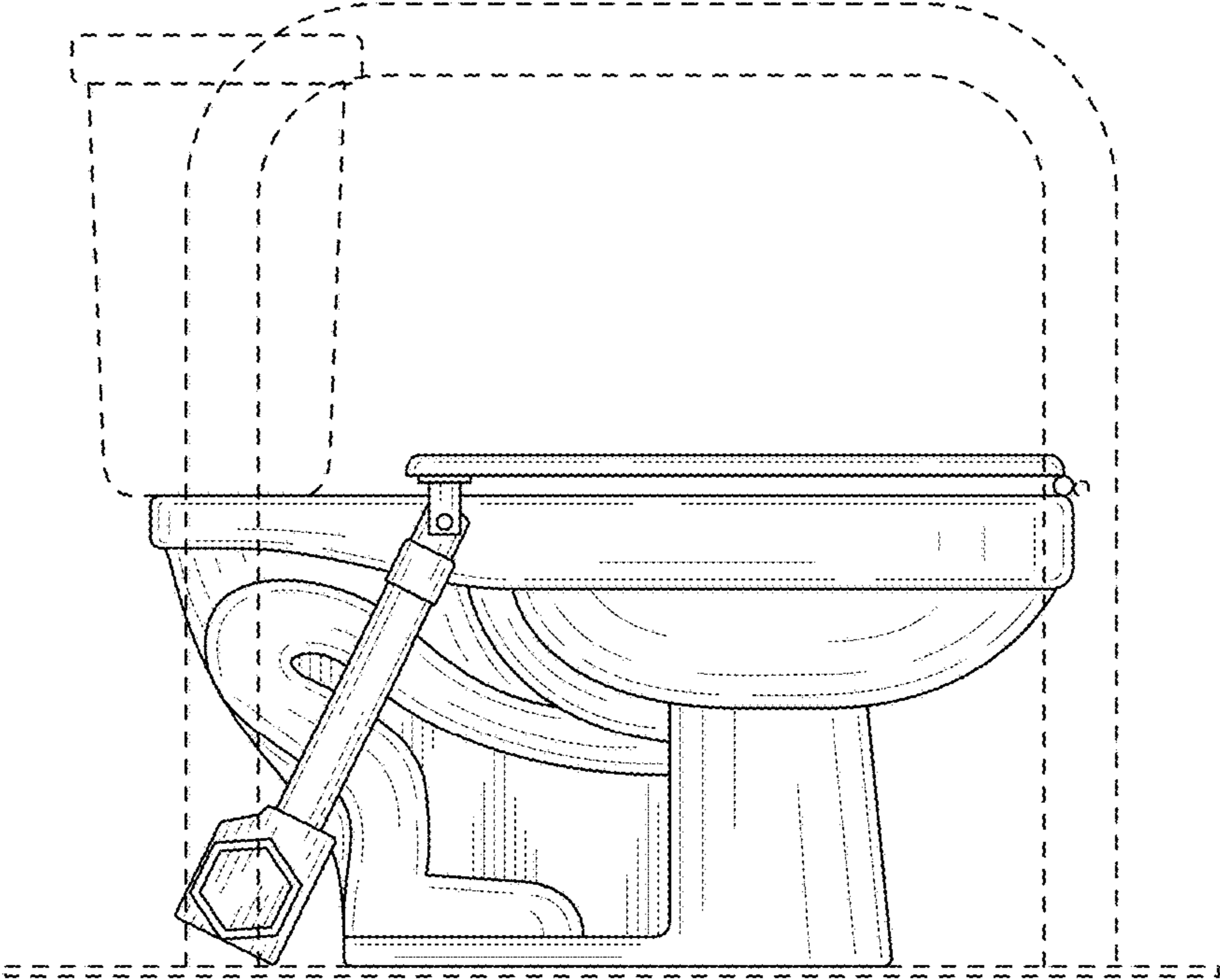


FIG. 4

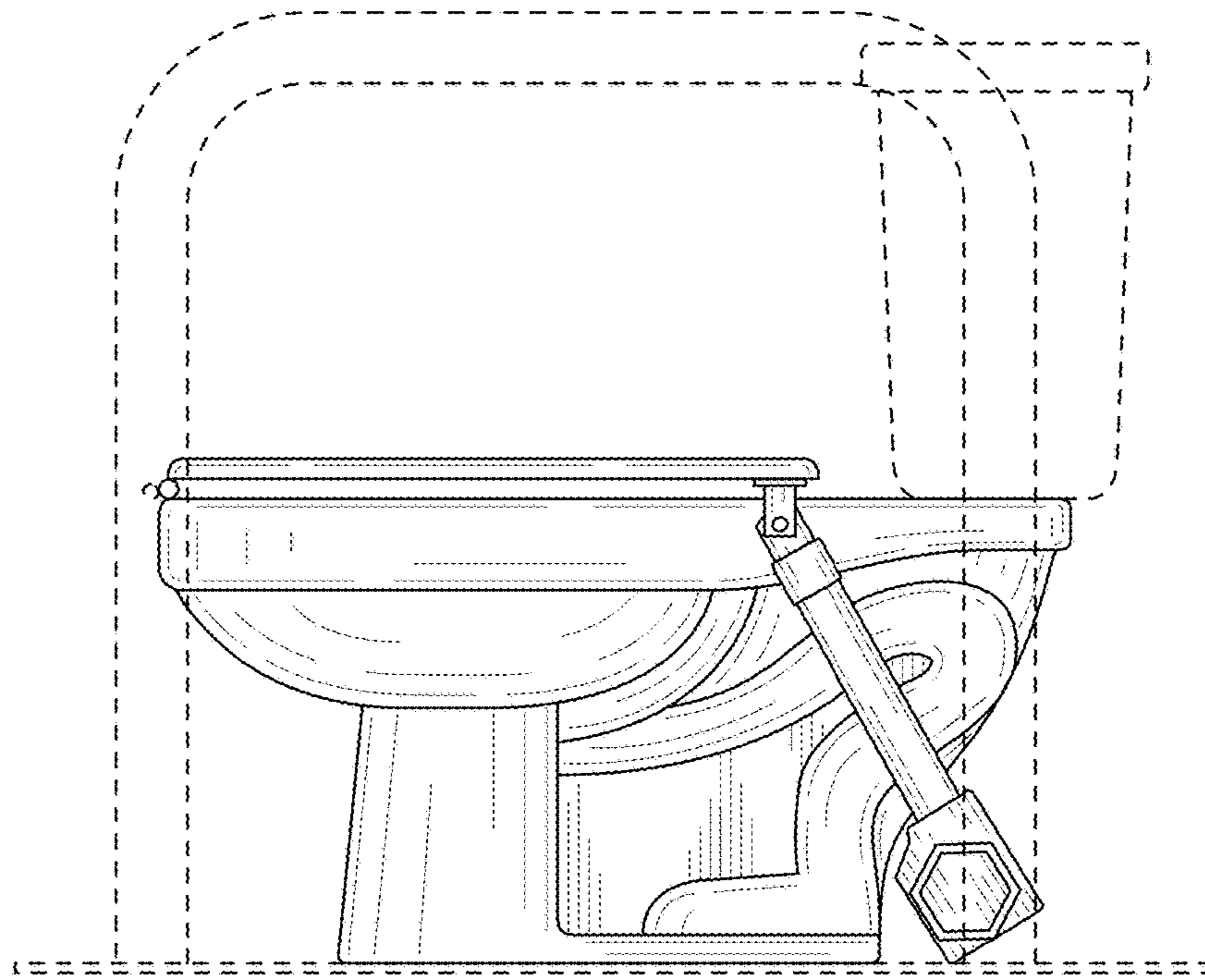


FIG. 5

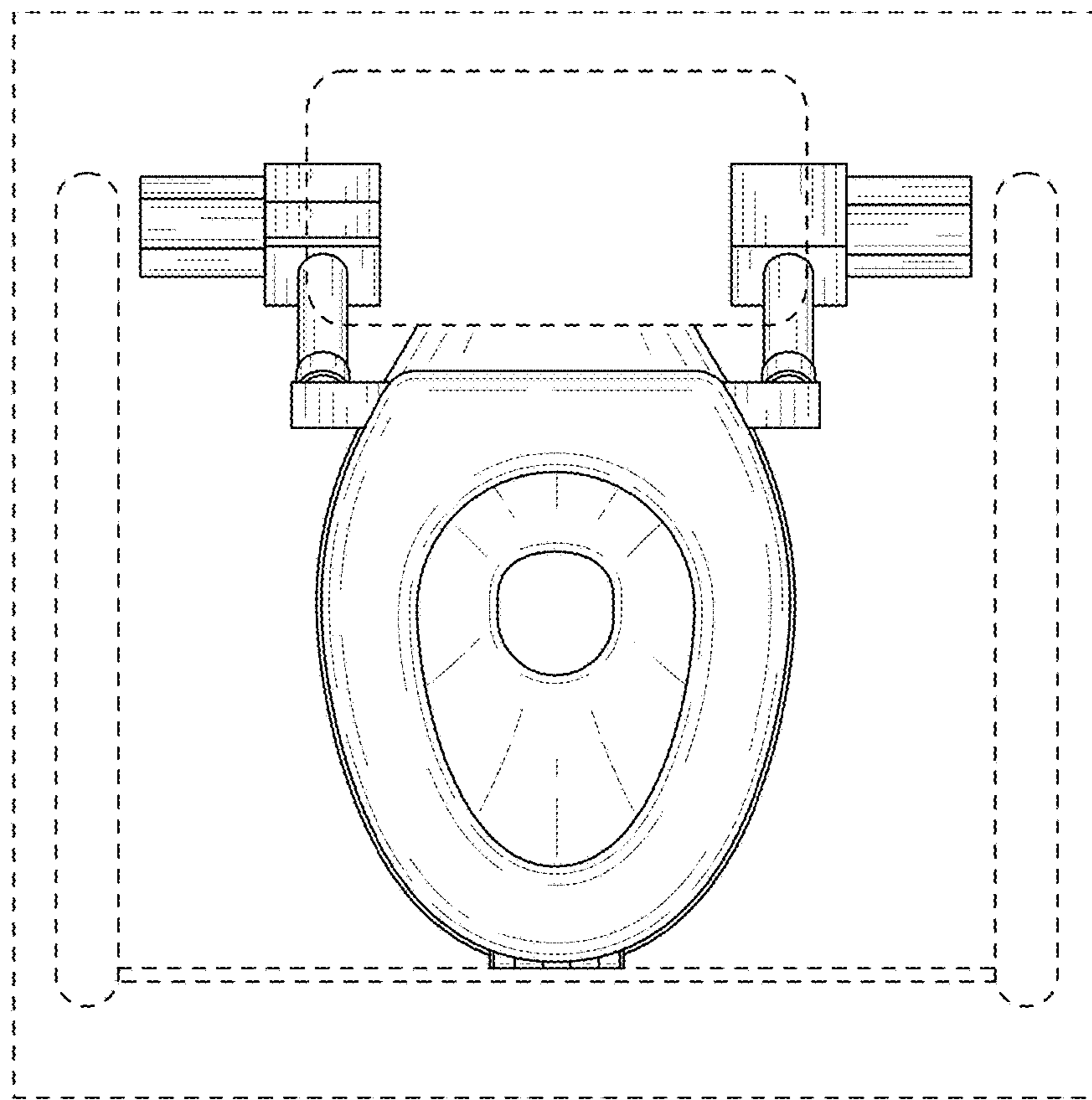


FIG. 6