



US00D867557S

(12) **United States Design Patent**  
**Kergoët**

(10) **Patent No.:** **US D867,557 S**

(45) **Date of Patent:** **\*\* Nov. 19, 2019**

(54) **LAVATORY**

(71) Applicant: **Kohler Co.**, Kohler, WI (US)

(72) Inventor: **François Kergoët**, Malakoff (FR)

(73) Assignee: **KOHLER CO.**, Kohler, WI (US)

(\*\*) Term: **15 Years**

(21) Appl. No.: **29/703,707**

(22) Filed: **Aug. 29, 2019**

D369,855 S	5/1996	Reid
D394,308 S	5/1998	Bertoli
D529,147 S	9/2006	Sutopo
D530,406 S	10/2006	Soulier
D571,900 S	6/2008	Daikubara
D610,660 S	2/2010	Slothower
D634,408 S	3/2011	Thomas
D663,017 S	7/2012	Slothower

*Primary Examiner* — Robert A Delehanty

(74) *Attorney, Agent, or Firm* — Foley & Lardner LLP

(57) **CLAIM**

I claim the ornamental design for a lavatory, as shown and described.

**Related U.S. Application Data**

(62) Division of application No. 29/648,015, filed on May 17, 2018.

(51) **LOC (12) Cl.** ..... **23-01**

(52) **U.S. Cl.**  
USPC ..... **D23/288**

(58) **Field of Classification Search**  
USPC ..... D23/284, 288, 290, 308, 201  
See application file for complete search history.

(56) **References Cited**

**U.S. PATENT DOCUMENTS**

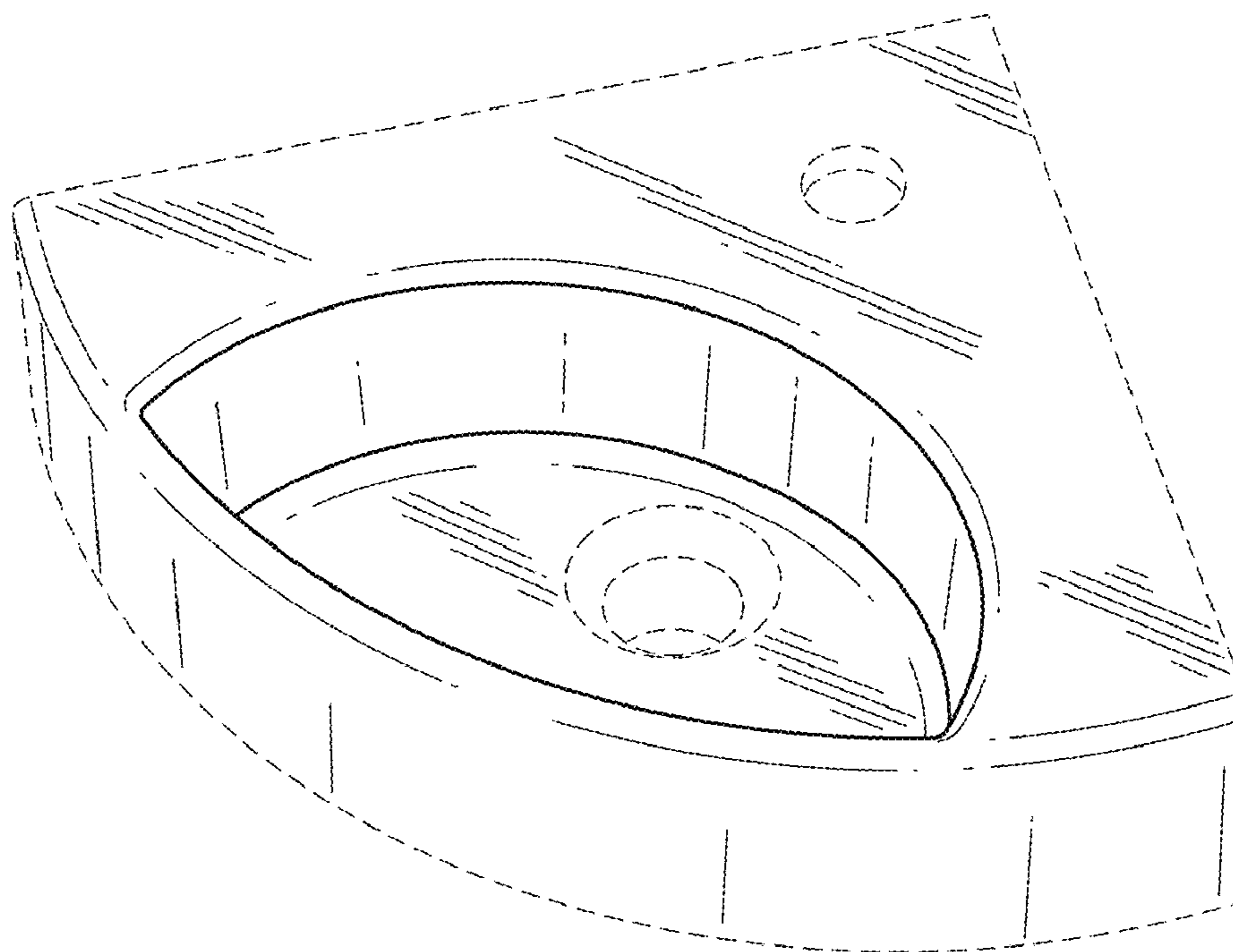
D116,564 S	9/1939	Love
D127,274 S	3/1941	Kohler
D202,411 S	9/1965	Niemann
D318,522 S	7/1991	Yvetot
D328,338 S	7/1992	Ragonot
D366,102 S	1/1996	Bonnell
D366,311 S	1/1996	Bonnell

**DESCRIPTION**

FIG. 1 is a perspective view of the claimed design;  
FIG. 2 is a top view of the claimed design shown in FIG. 1;  
FIG. 3 is a bottom view of the claimed design shown in FIG. 1;  
FIG. 4 is a front view of the claimed design shown in FIG. 1;  
FIG. 5 is a rear view of the claimed design shown in FIG. 1;  
FIG. 6 is a side view of the claimed design shown in FIG. 1; and,  
FIG. 7 is another side view of the claimed design shown in FIG. 1.

The ornamental design which is claimed is shown in solid lines in the drawings. The broken lines in the drawings are for illustrative purposes only and form no part of the claimed design.

**1 Claim, 4 Drawing Sheets**



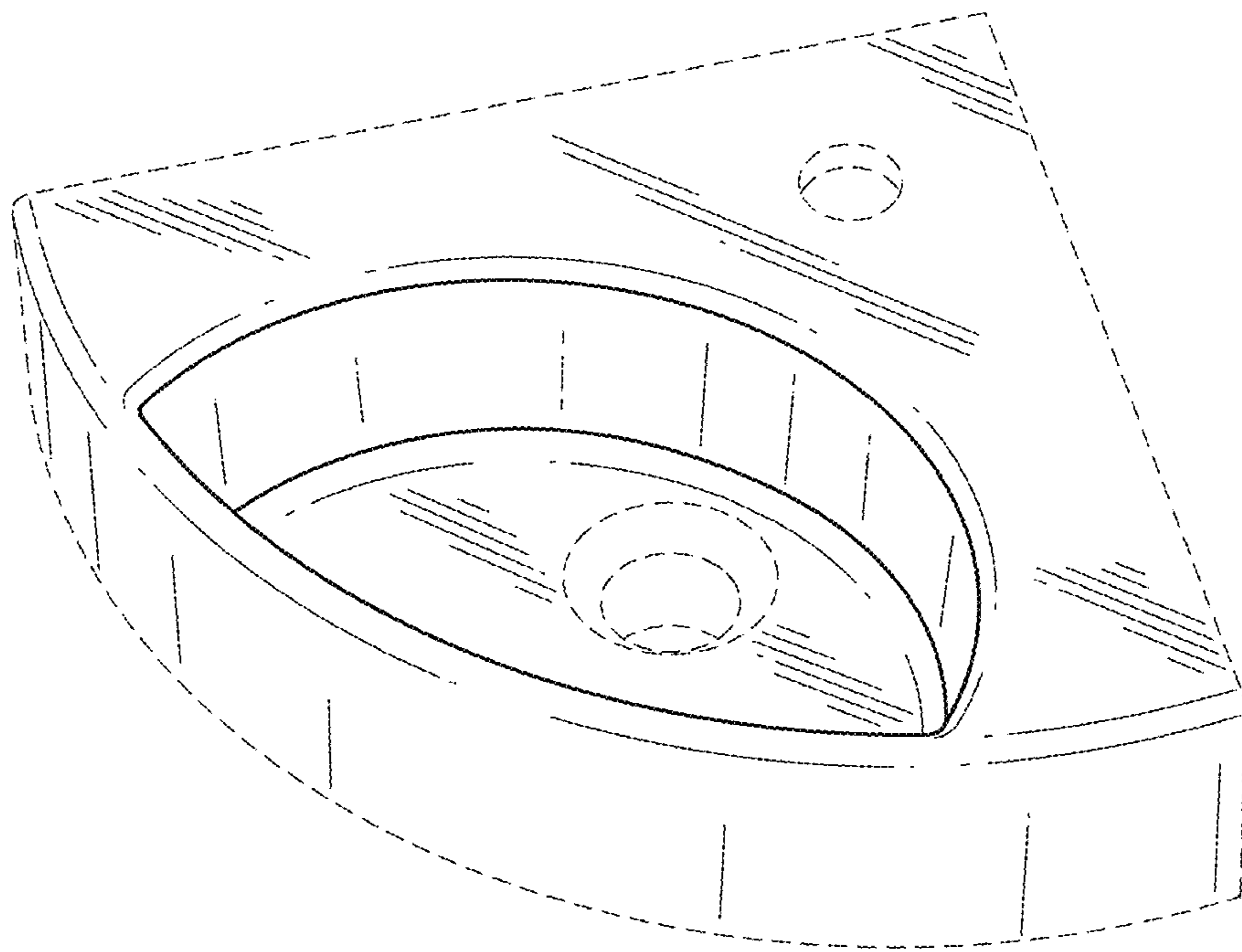


FIG. 1

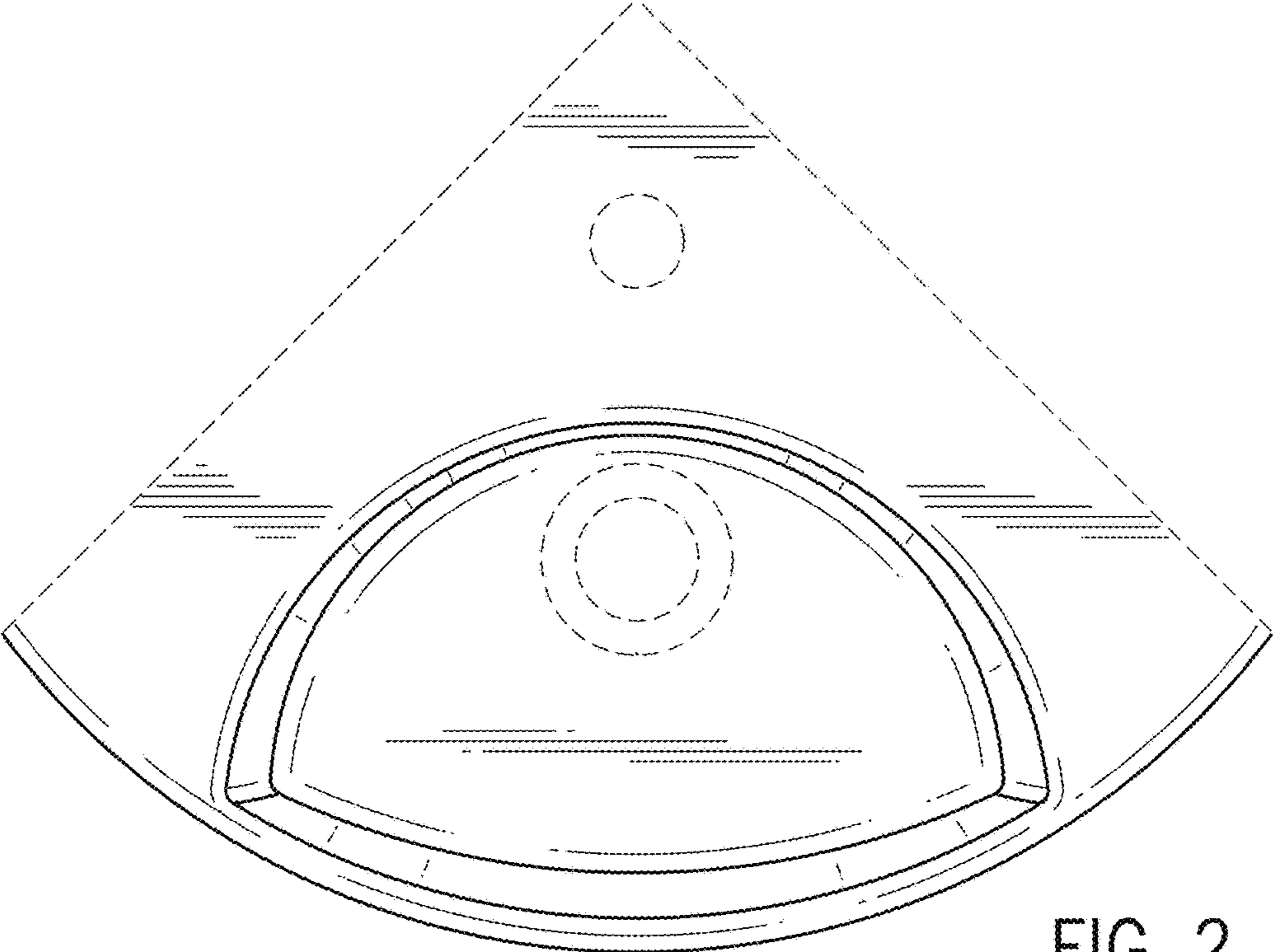


FIG. 2

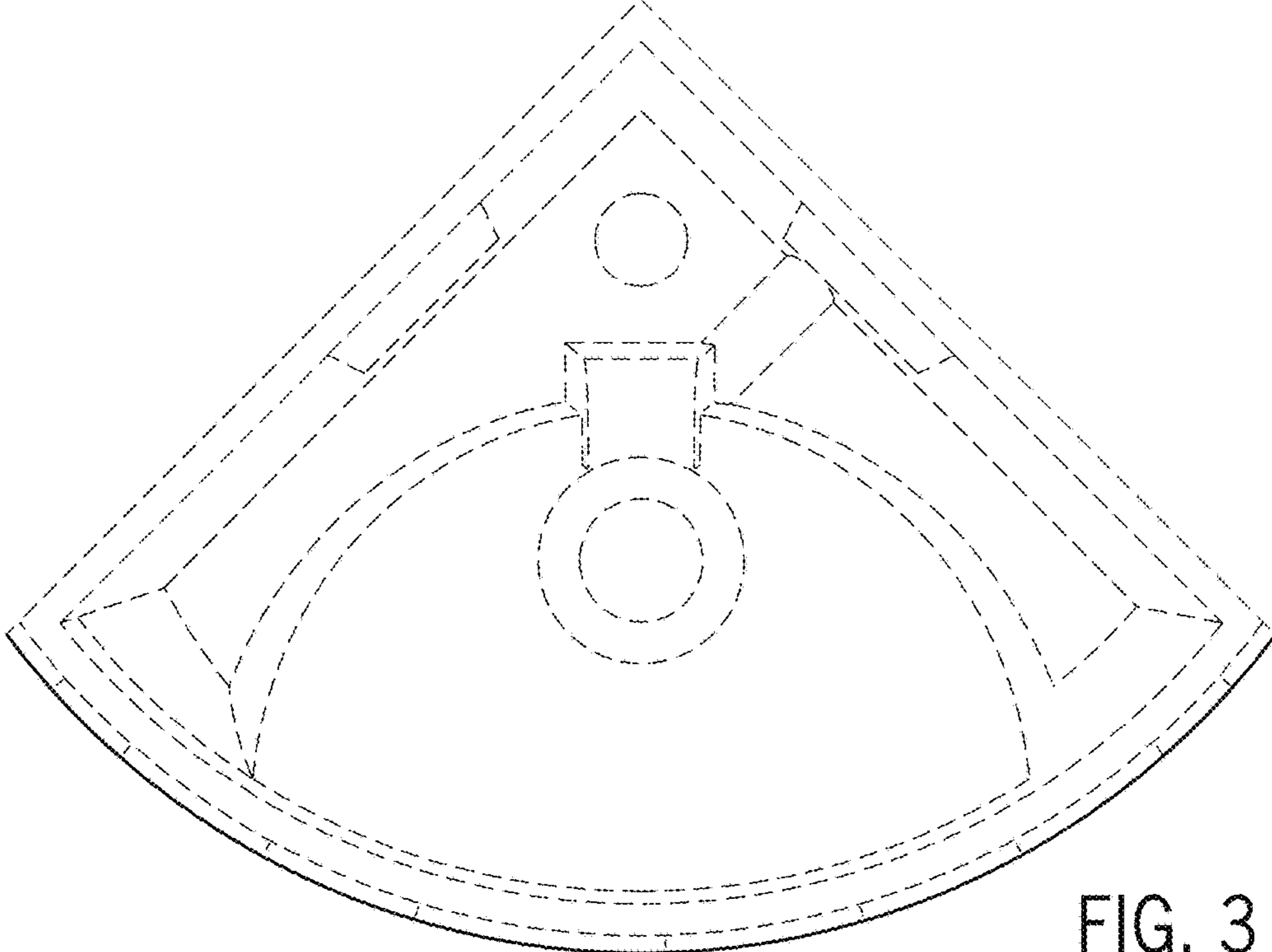


FIG. 3

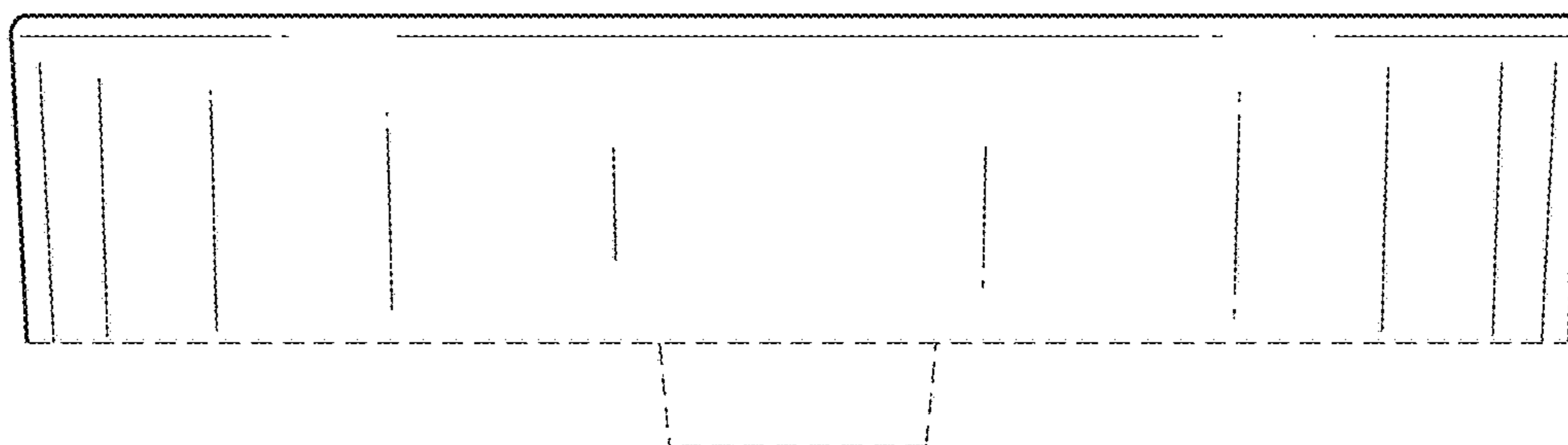


FIG. 4

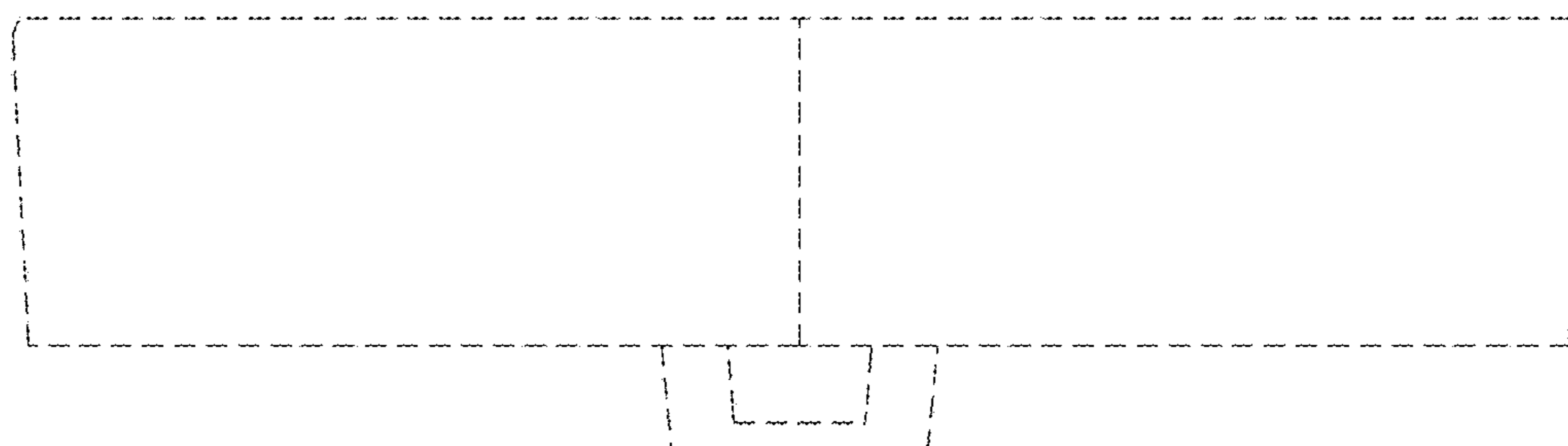


FIG. 5

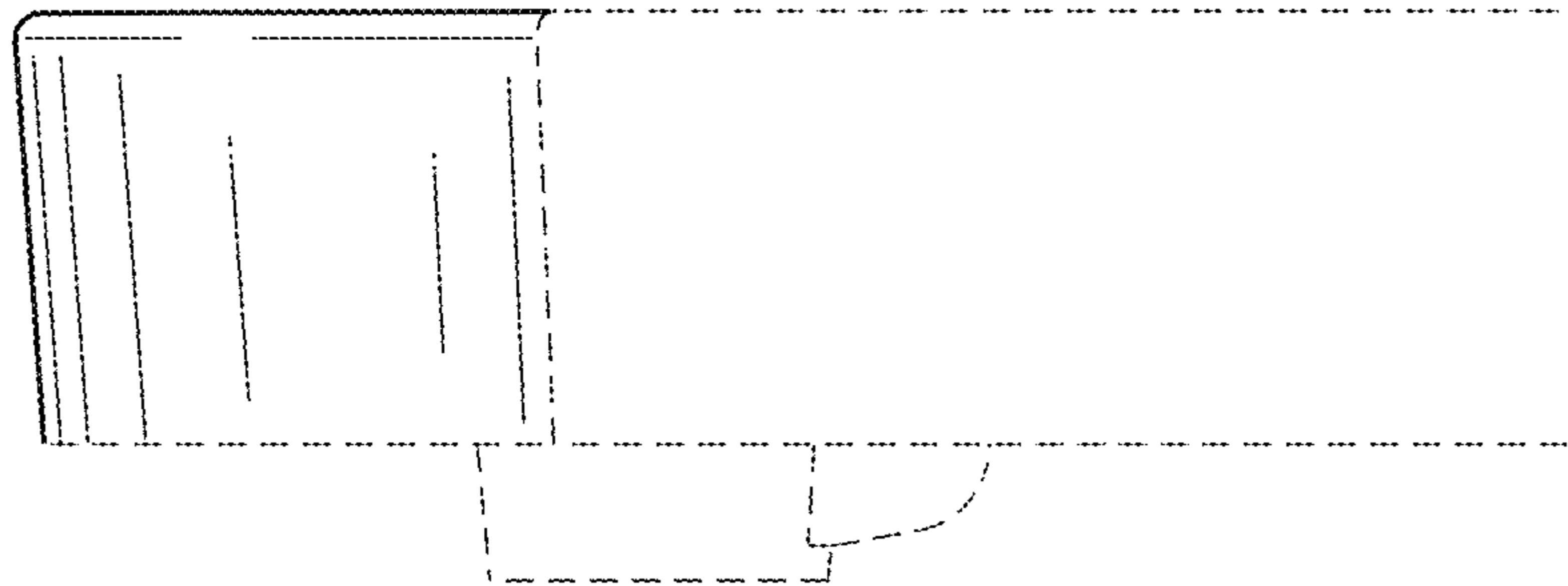


FIG. 6

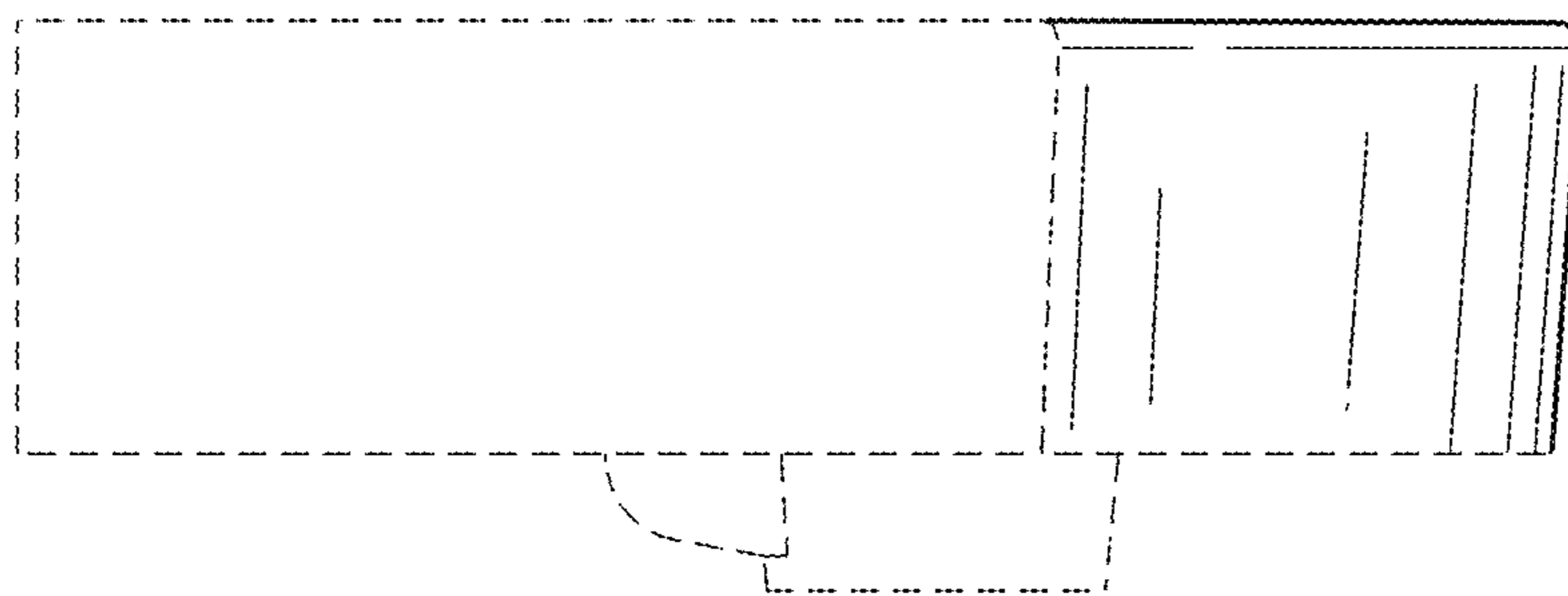


FIG. 7