



US00D867556S

(12) **United States Design Patent**
Huang

(10) **Patent No.:** **US D867,556 S**

(45) **Date of Patent:** **** Nov. 19, 2019**

(54) **SINK COMBINATION**

(71) Applicant: **Anfeng Huang**, Rowland Heights, CA
(US)

(72) Inventor: **Anfeng Huang**, Rowland Heights, CA
(US)

(**) Term: **15 Years**

(21) Appl. No.: **29/669,450**

(22) Filed: **Nov. 8, 2018**

D655,798 S *	3/2012	Miller	D23/284
D663,389 S *	7/2012	Miller	D23/293.1
D700,300 S *	2/2014	Rachiele	D23/284
9,492,010 B2 *	11/2016	Booth	E03C 1/18
D793,184 S *	8/2017	Lammel	D7/698
D819,289 S *	5/2018	Umholtz	D32/55
D854,130 S *	7/2019	Chen	D23/293.1
2014/0053328 A1 *	2/2014	Chen	E03C 1/262 4/287

* cited by examiner

Primary Examiner — Robert A Delehanty

(74) *Attorney, Agent, or Firm* — Kelley Drye & Warren
LLP

Related U.S. Application Data

(63) Continuation-in-part of application No. 29/659,986,
filed on Aug. 14, 2018, and a continuation-in-part of
application No. 29/659,460, filed on Aug. 9, 2018,
and a continuation-in-part of application No.
29/659,370, filed on Aug. 8, 2018.

(51) **LOC (12) Cl.** **23-02**

(52) **U.S. Cl.**
USPC **D23/284**

(58) **Field of Classification Search**
USPC D23/284, 293.1, 308, 261; D7/698;
D32/55–56
See application file for complete search history.

(56) **References Cited**

U.S. PATENT DOCUMENTS

3,982,289 A *	9/1976	Robbins	E03C 1/264 4/292
D646,450 S *	10/2011	Yang	D32/55

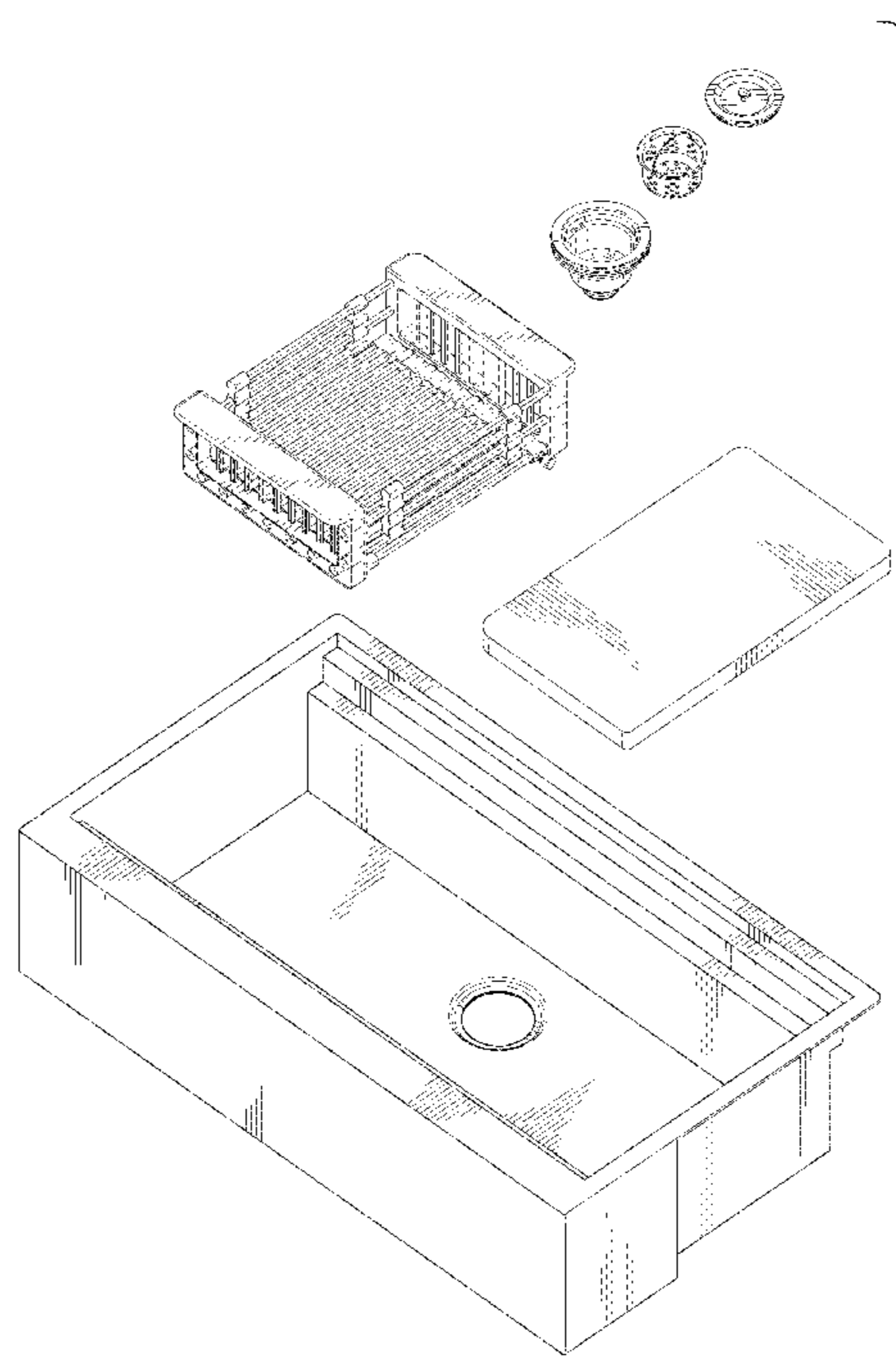
(57) **CLAIM**

The ornamental design for a sink combination, as shown and
described.

DESCRIPTION

FIG. 1 is an exploded front perspective view of a sink
combination;
FIG. 2 is an exploded front view of a sink combination;
FIG. 3 is an exploded back view of a sink combination;
FIG. 4 is an exploded left side view of a sink combination;
FIG. 5 is an exploded right side view of a sink combination;
FIG. 6 is an exploded top view of a sink combination;
FIG. 7 is an exploded bottom view of a sink combination;
and,
FIG. 8 is a combined in-use view of a sink combination.

1 Claim, 8 Drawing Sheets



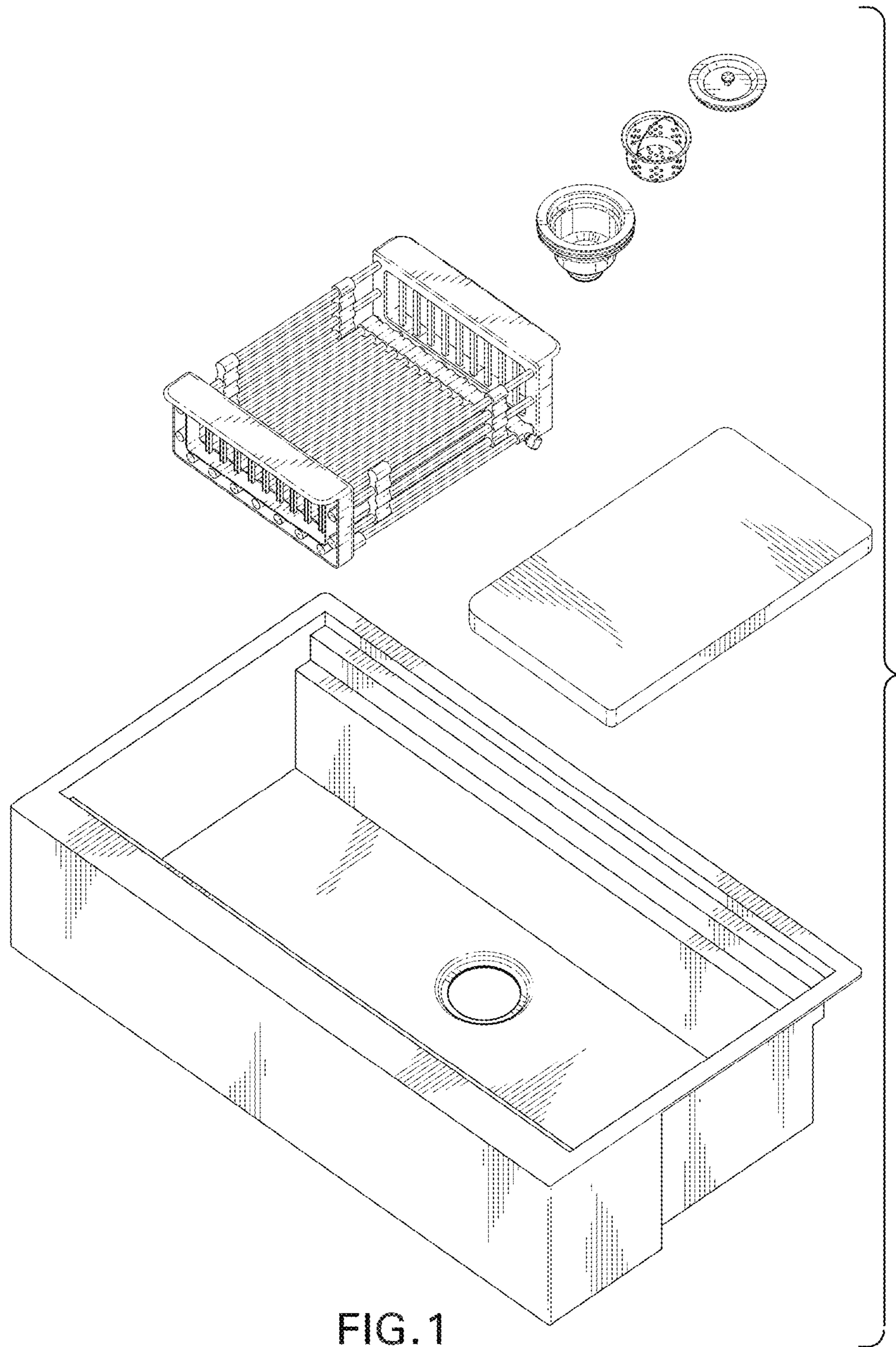


FIG. 1

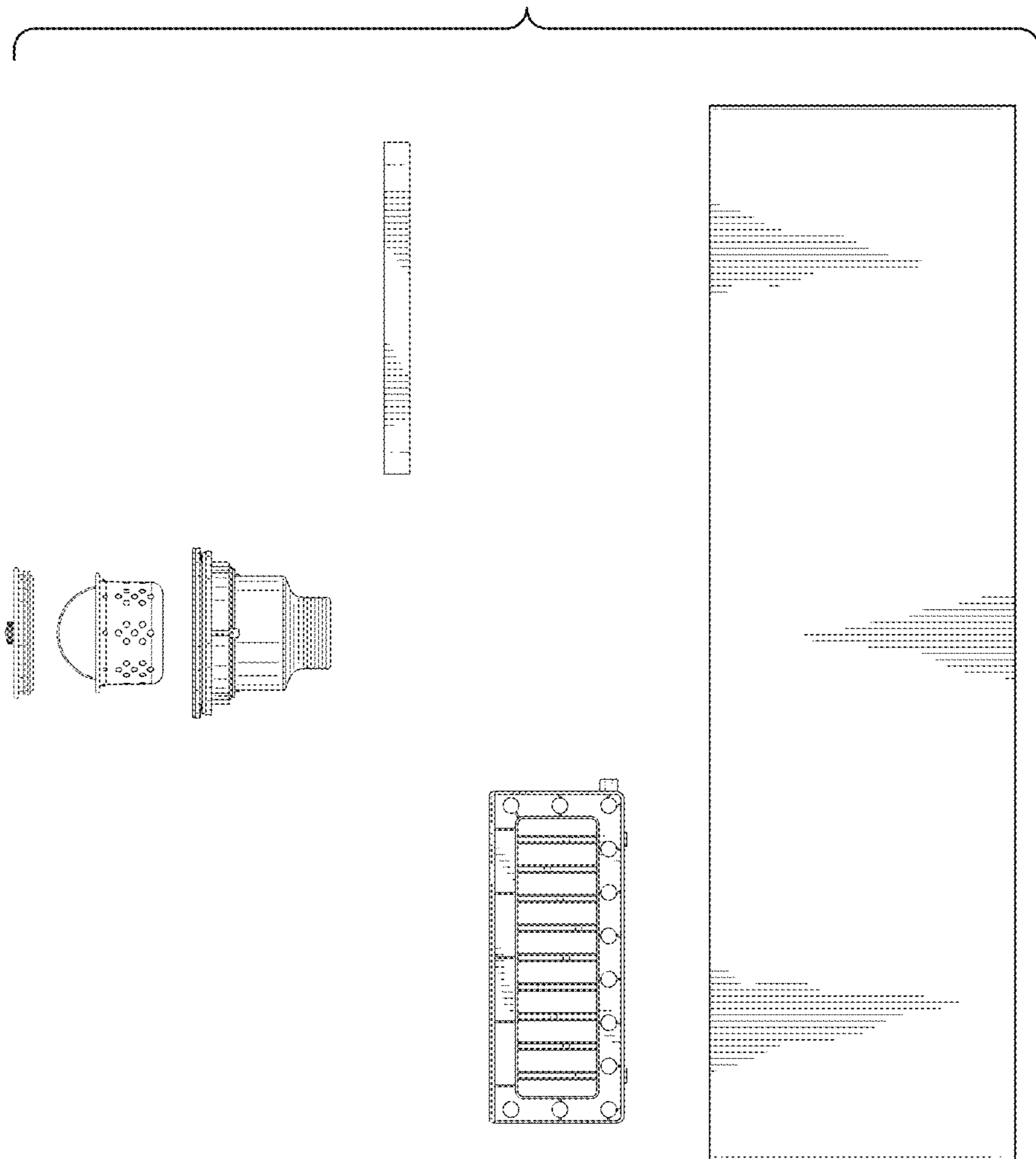


FIG. 2

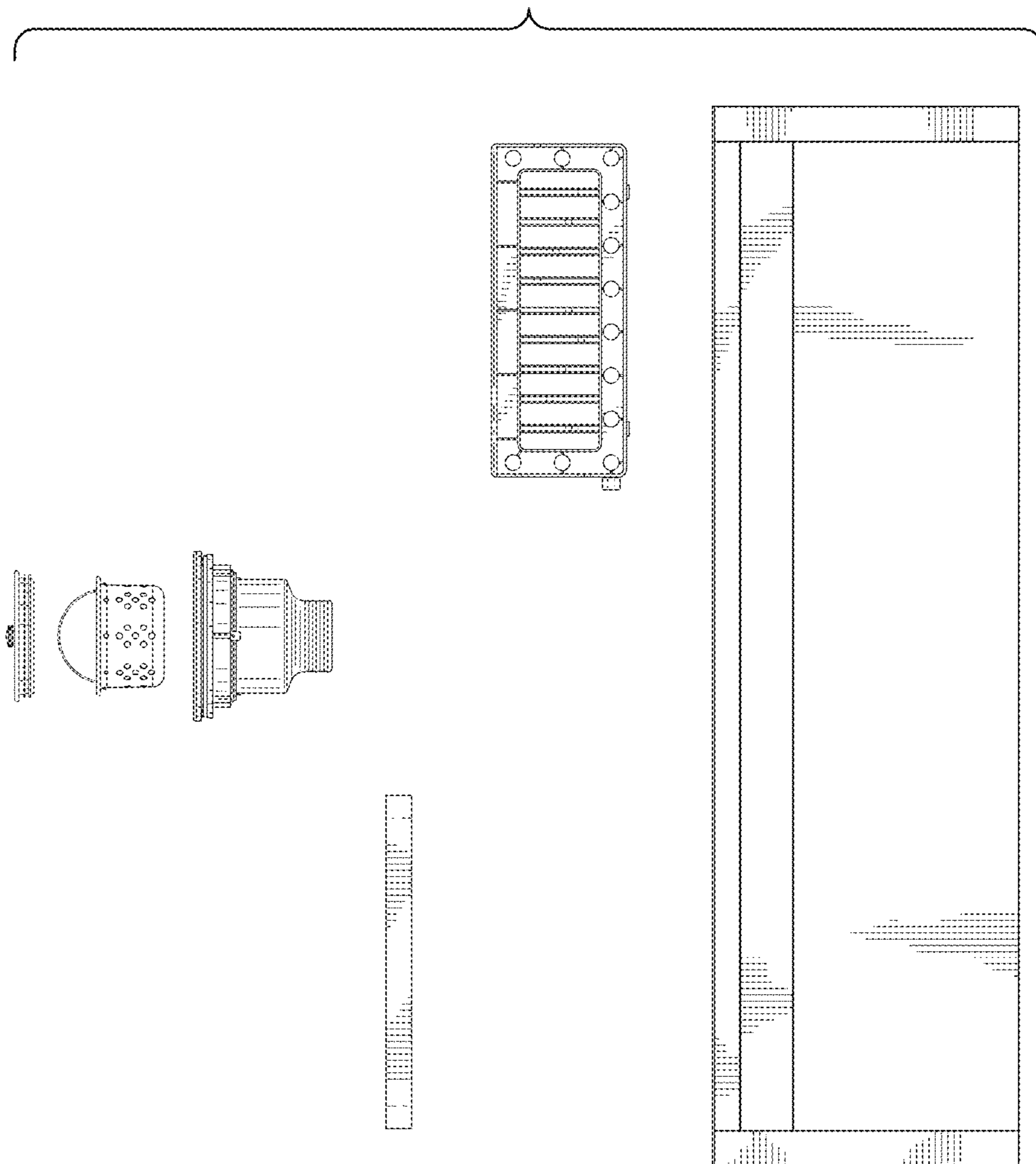
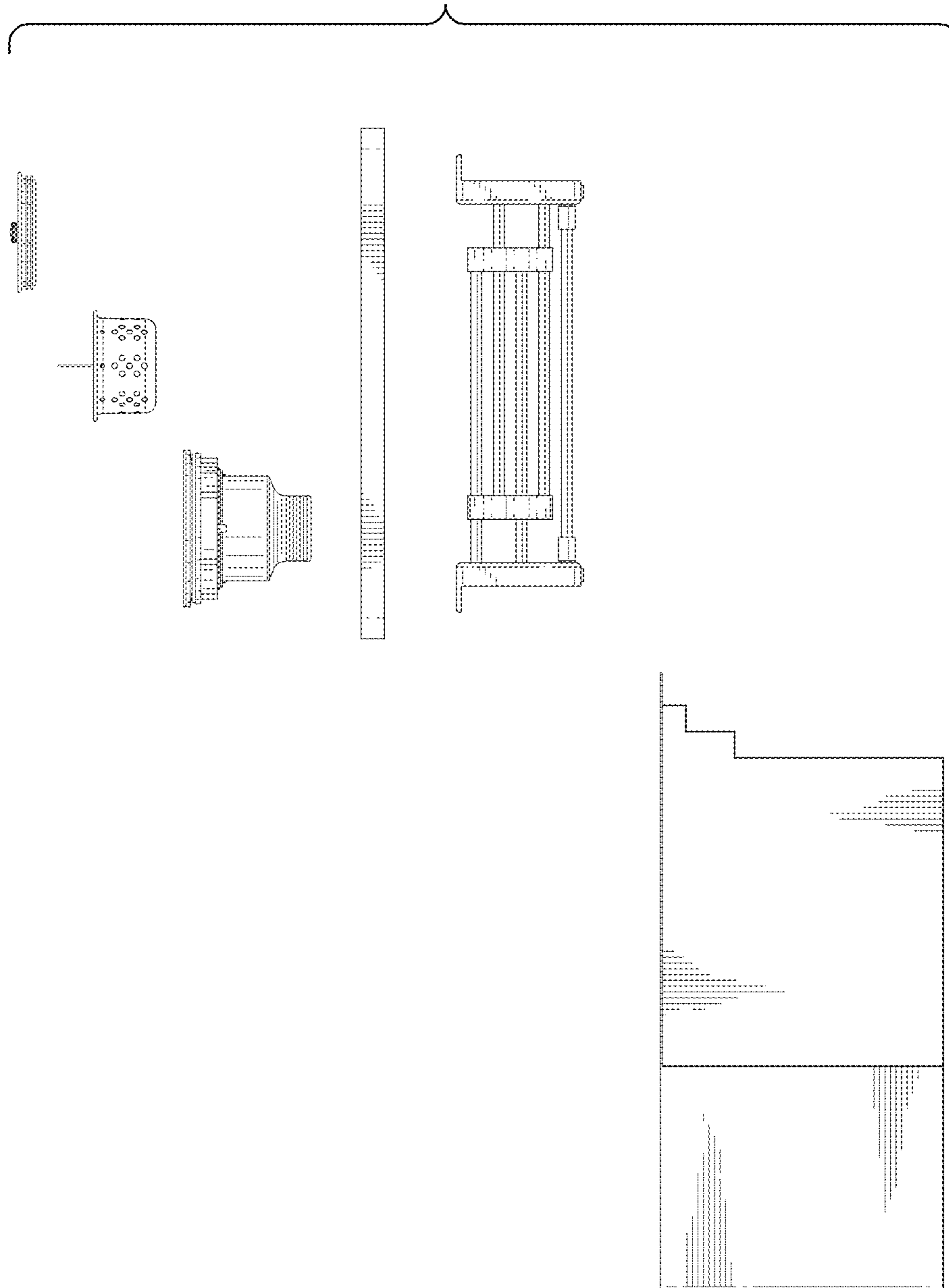


FIG. 3



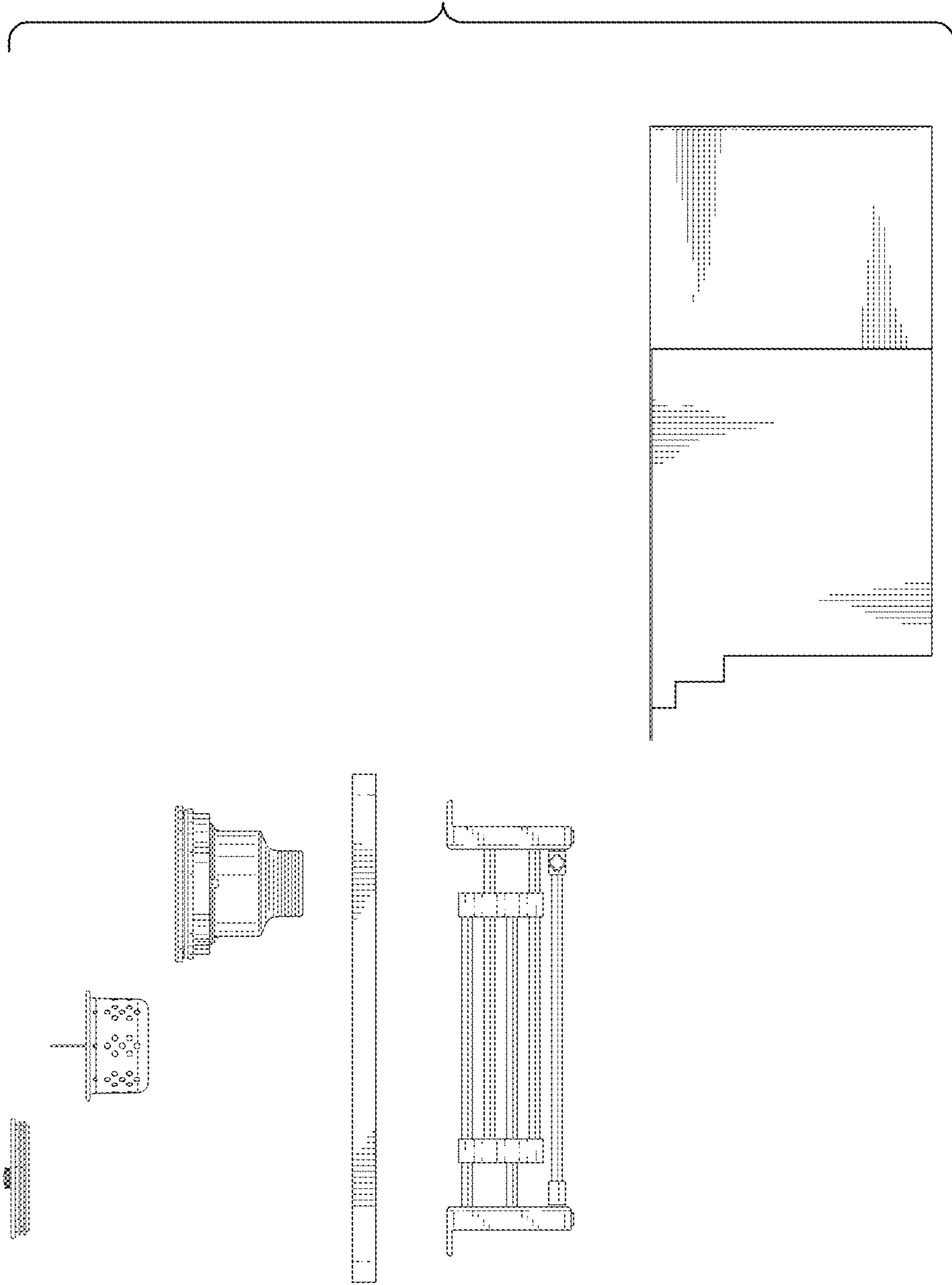


FIG. 5

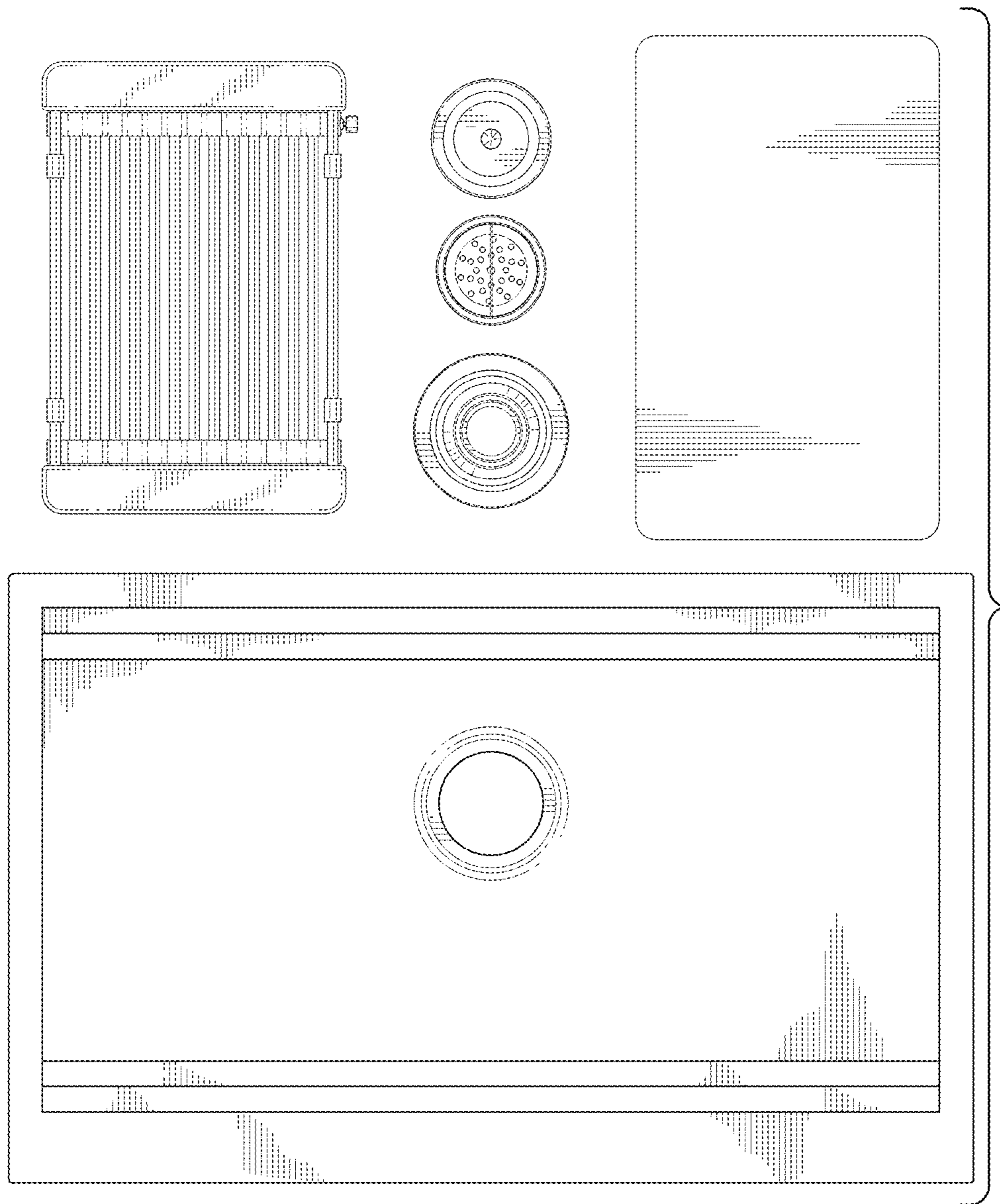


FIG. 6

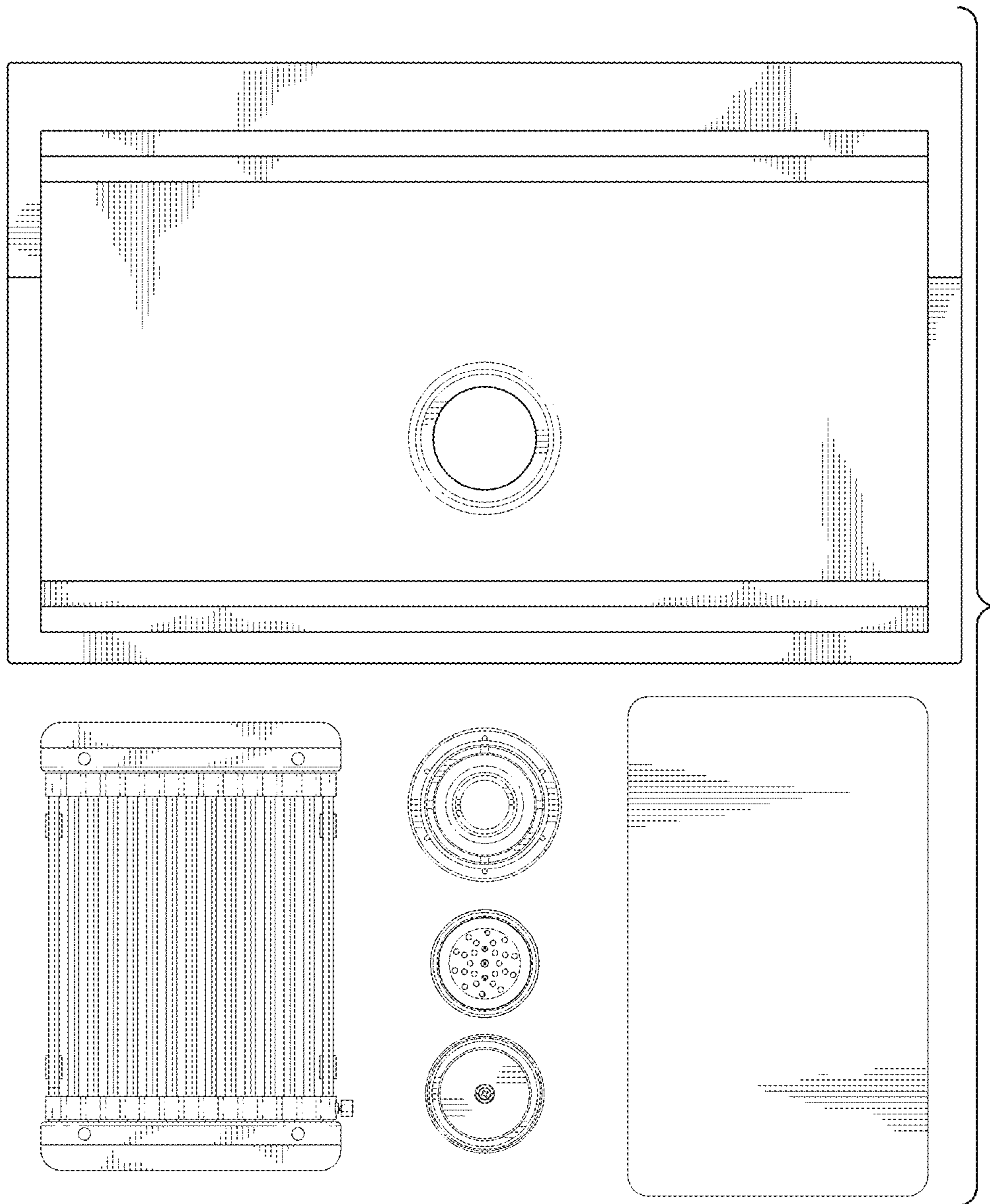


FIG. 7

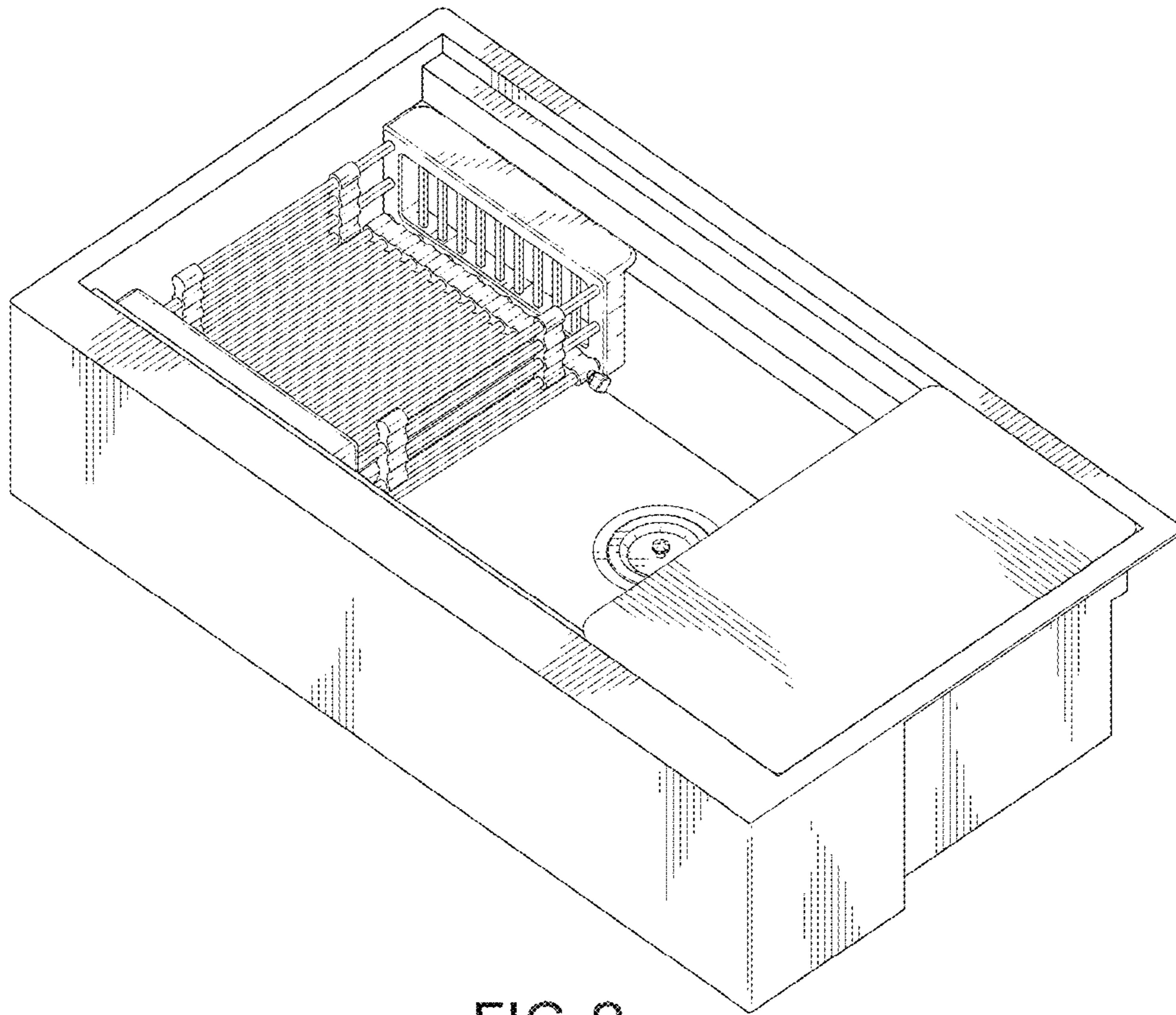


FIG.8