

US00D867555S

(12) **United States Design Patent**  
**Huang**

(10) **Patent No.:** **US D867,555 S**

(45) **Date of Patent:** **\*\* Nov. 19, 2019**

(54) **KITCHEN SINK**

D700,300 S \* 2/2014 Rachiele ..... D23/284  
D845,451 S \* 4/2019 Swilley ..... D23/308  
D854,130 S \* 7/2019 Chen ..... D23/293.1

(71) Applicant: **Anfeng Huang**, Rowland Heights, CA  
(US)

\* cited by examiner

(72) Inventor: **Anfeng Huang**, Rowland Heights, CA  
(US)

*Primary Examiner* — Robert A Delehanty

(74) *Attorney, Agent, or Firm* — Kelley Drye & Warren  
LLP

(\*\*) Term: **15 Years**

(21) Appl. No.: **29/659,460**

(57) **CLAIM**

The ornamental design for a kitchen sink, as shown and described.

(22) Filed: **Aug. 9, 2018**

(51) **LOC (12) Cl.** ..... **23-01**

(52) **U.S. Cl.**  
USPC ..... **D23/284**

**DESCRIPTION**

(58) **Field of Classification Search**  
USPC ..... D23/284, 293.1, 308, 201  
See application file for complete search history.

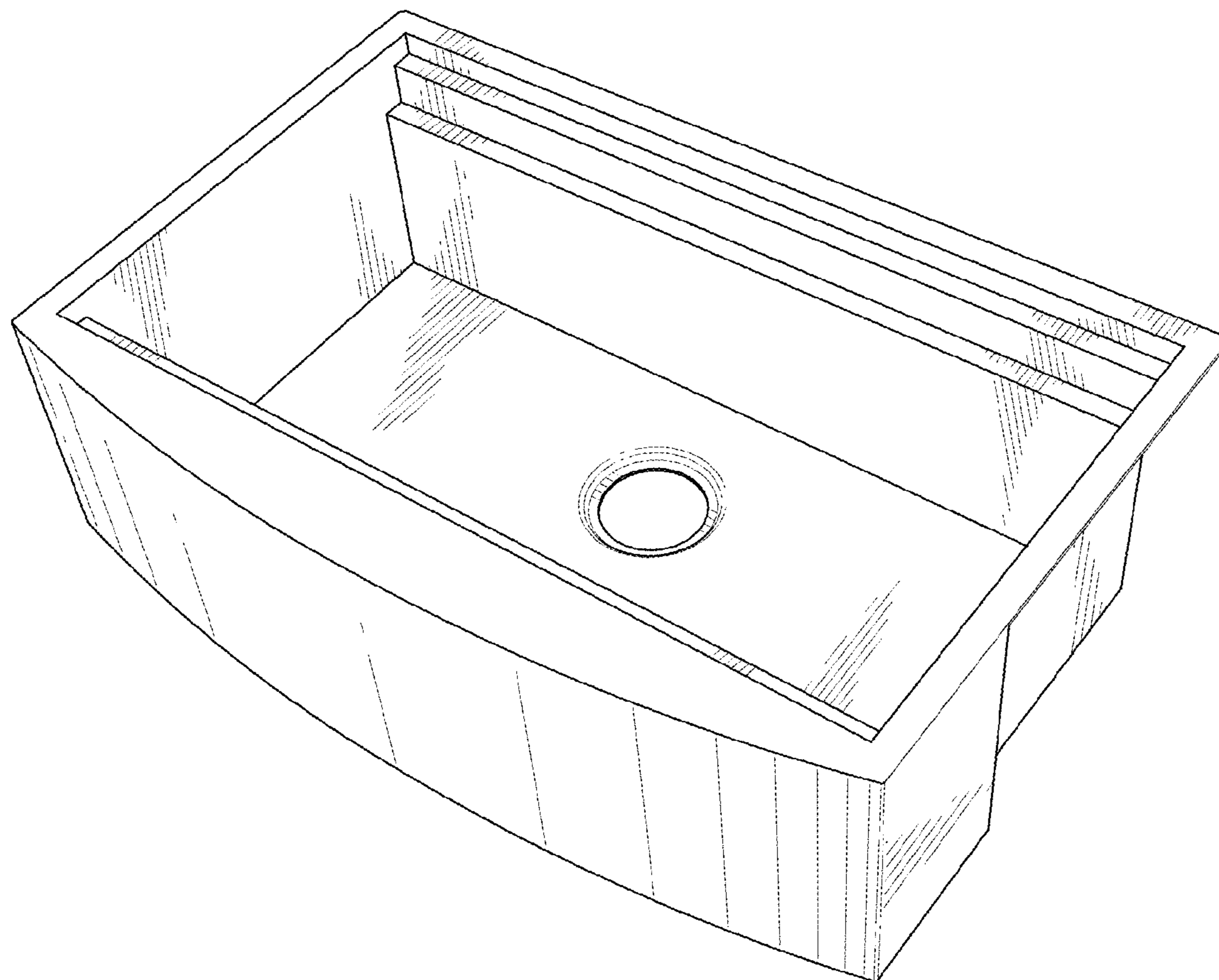
FIG. 1 is a front perspective view thereof;  
FIG. 2 is a front view thereof;  
FIG. 3 is a back view thereof;  
FIG. 4 is a left side view thereof;  
FIG. 5 is a right side view thereof;  
FIG. 6 is a top view thereof; and,  
FIG. 7 is a bottom view thereof.

(56) **References Cited**

**U.S. PATENT DOCUMENTS**

D353,652 S \* 12/1994 Dannenberg ..... D23/290  
D632,373 S \* 2/2011 Kehrer ..... D23/293.1

**1 Claim, 7 Drawing Sheets**



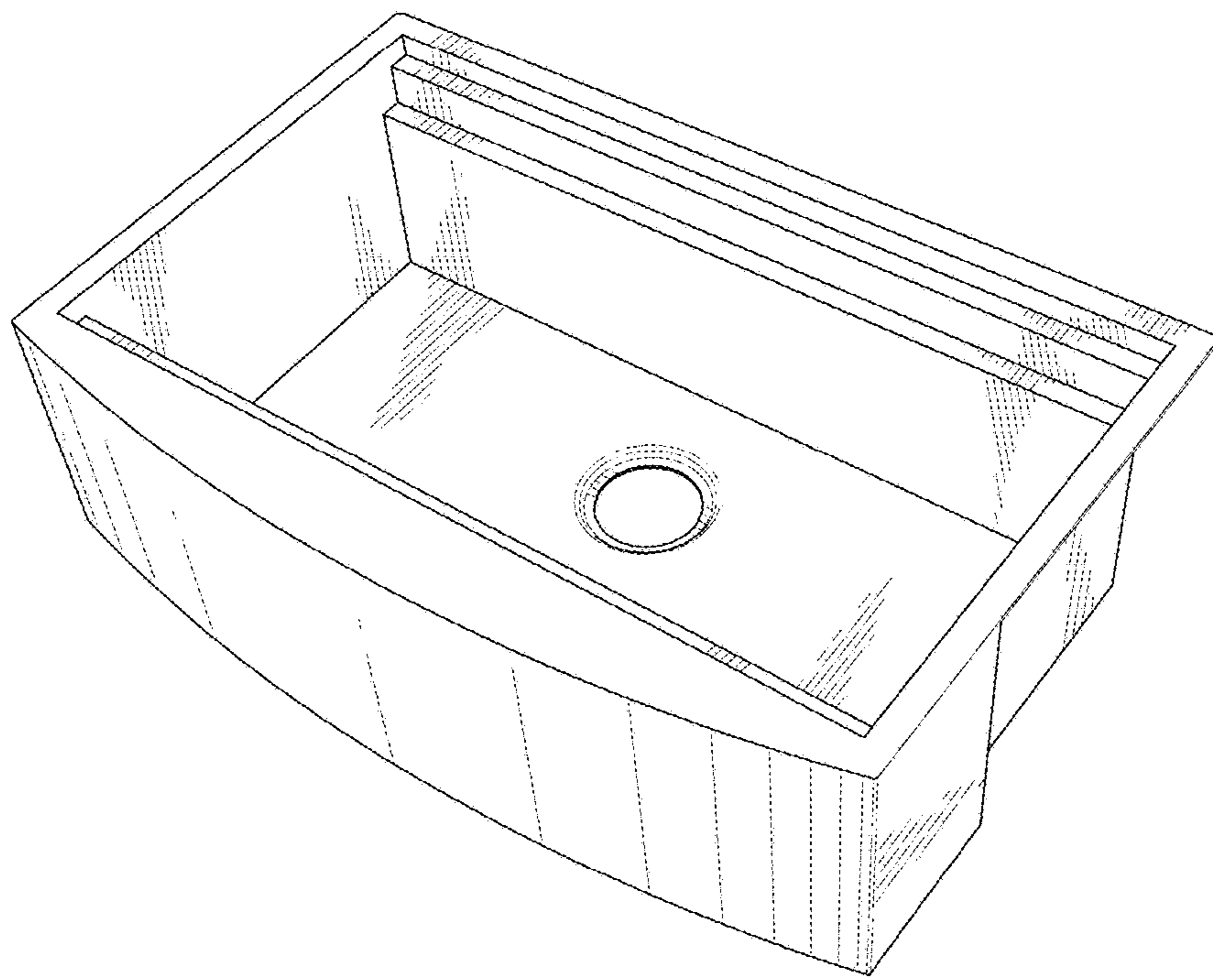


FIG. 1

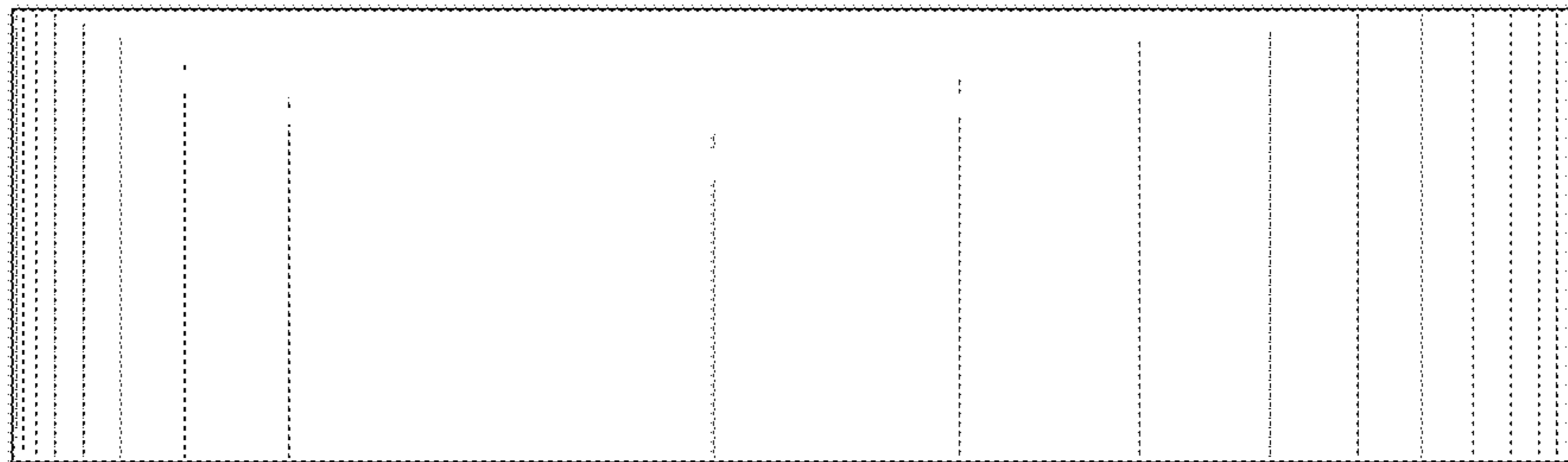


FIG.2

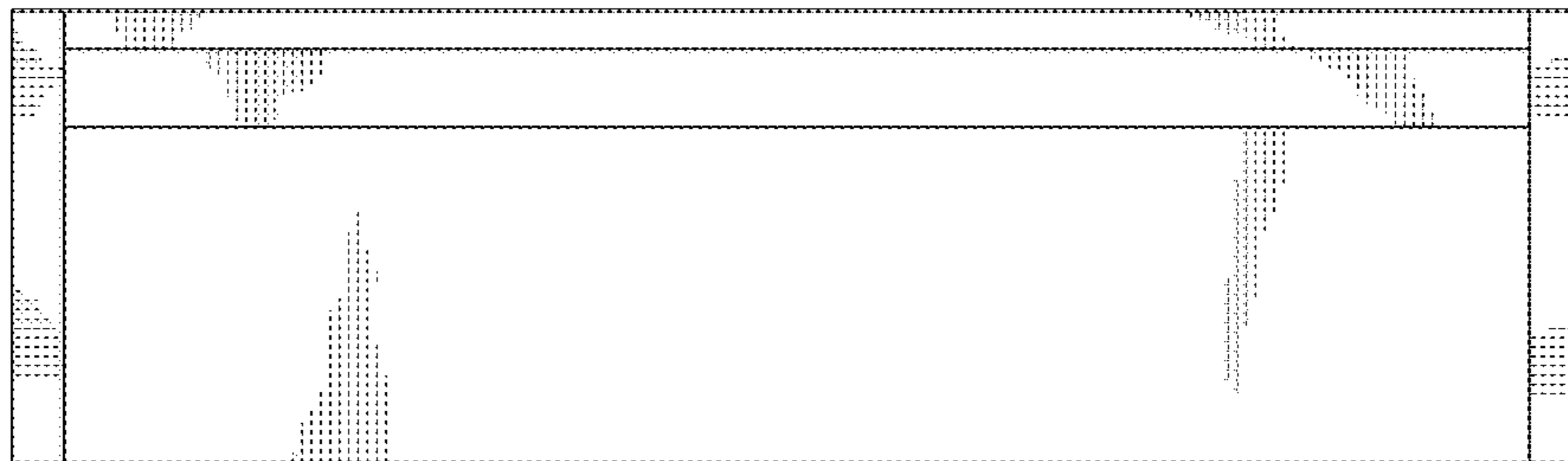


FIG. 3

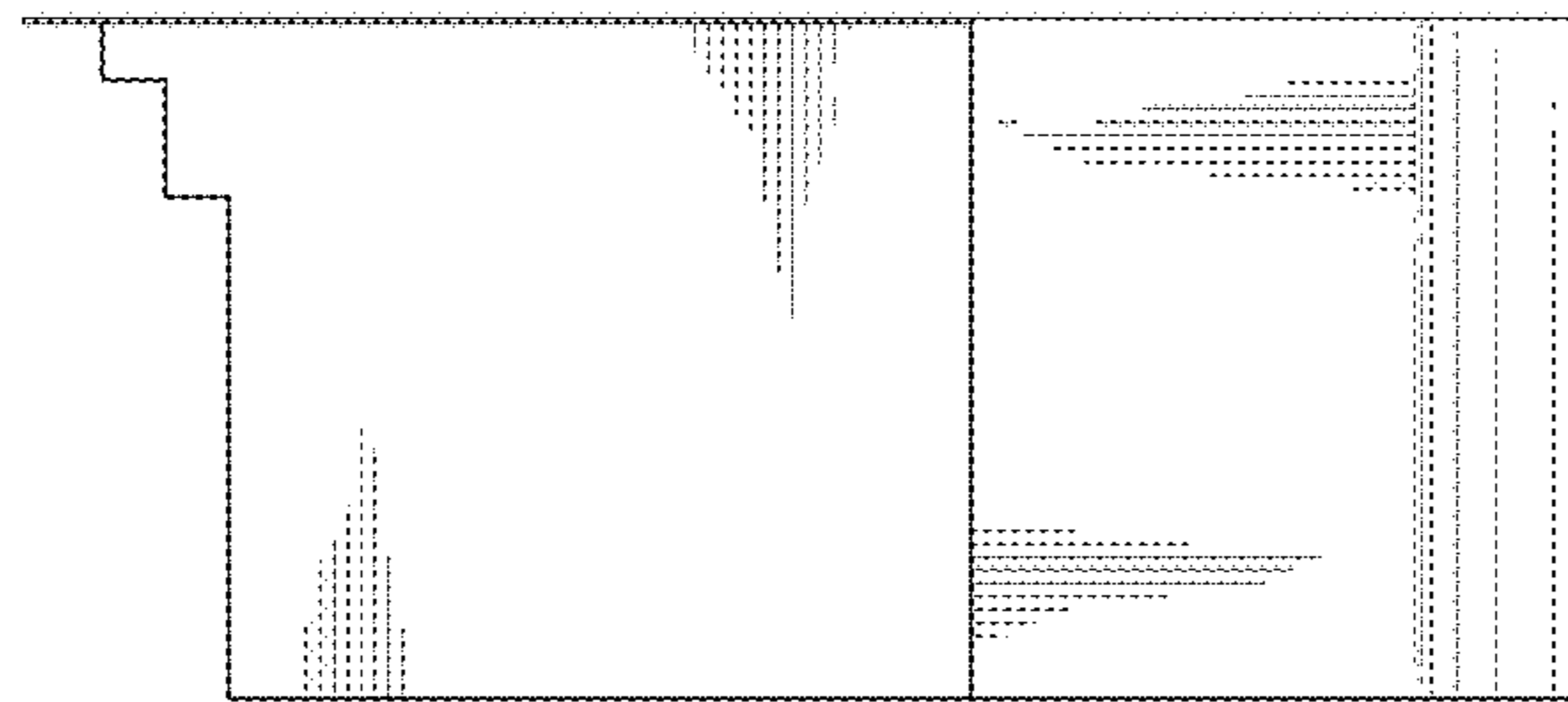


FIG.4

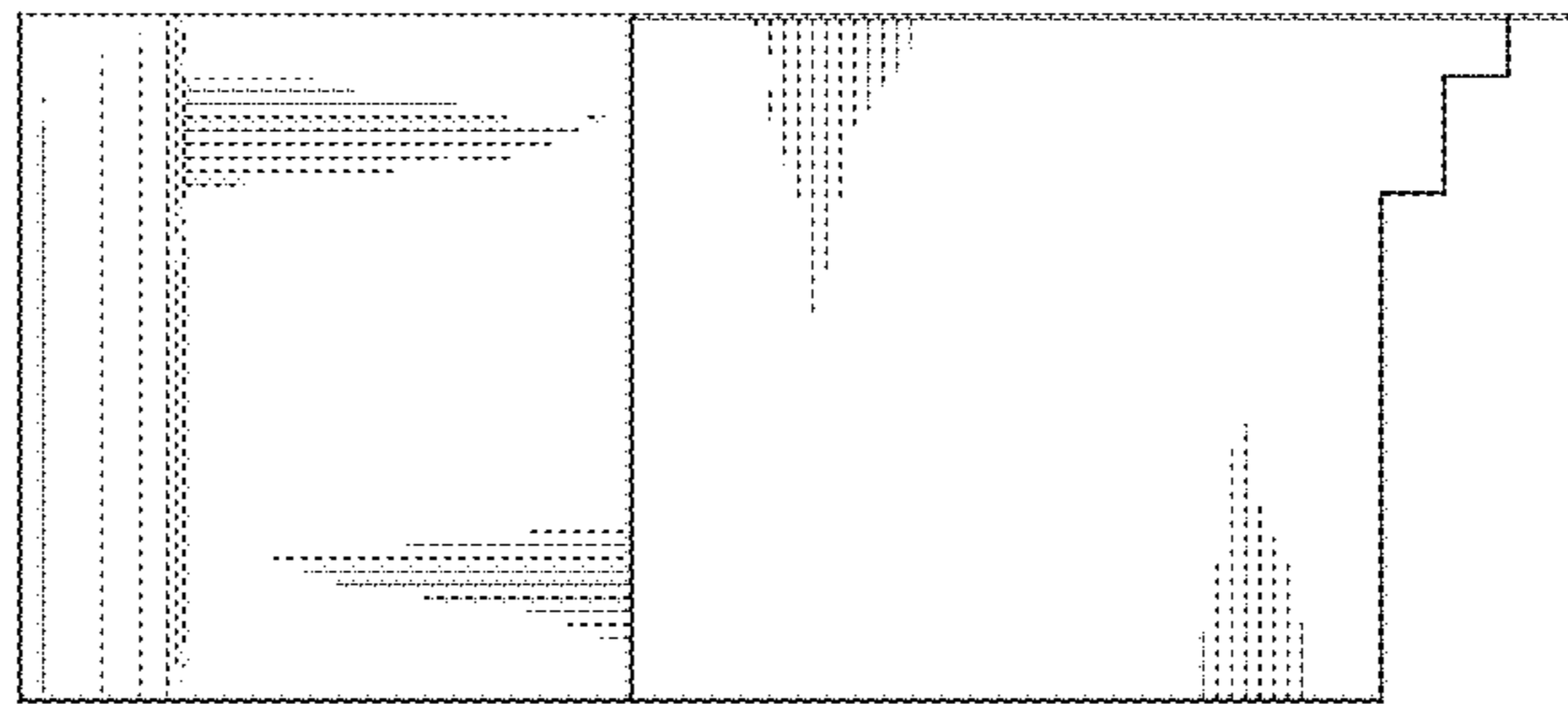


FIG. 5

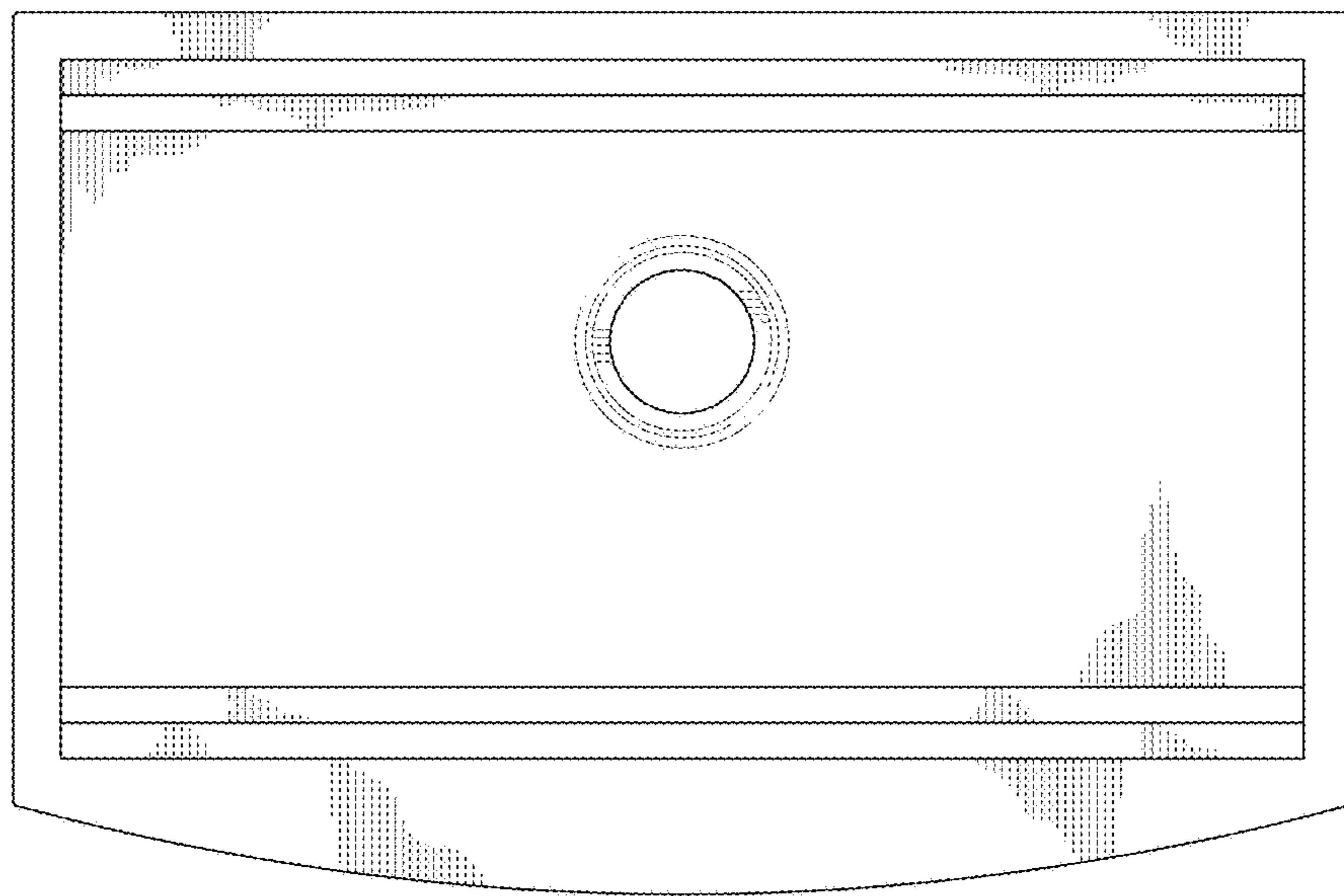


FIG. 6

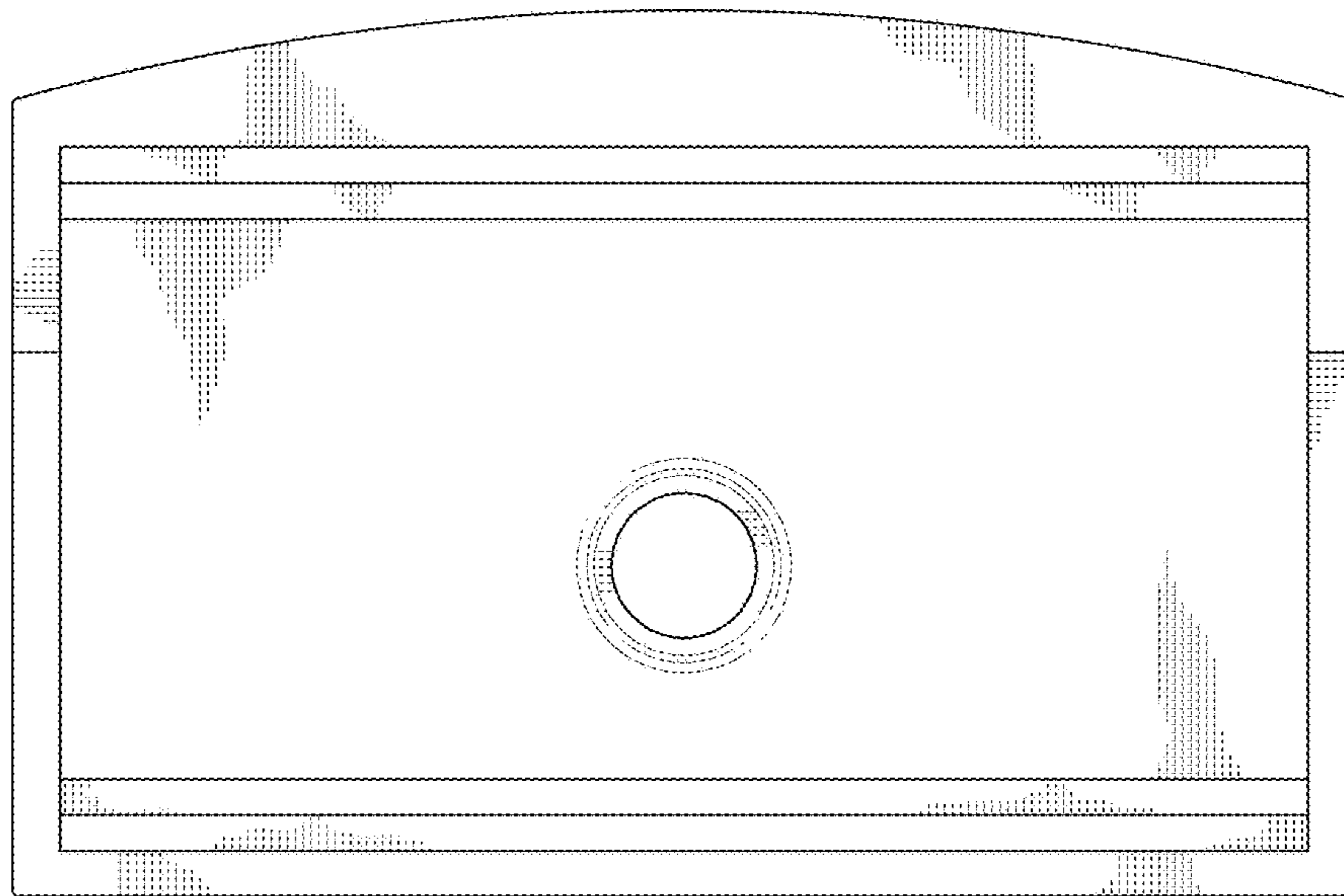


FIG. 7