

US00D867554S

(12) **United States Design Patent**
Kergoët

(10) **Patent No.:** **US D867,554 S**

(45) **Date of Patent:** **** Nov. 19, 2019**

(54) **VANITY**

(71) Applicant: **Kohler Co.**, Kohler, WI (US)

(72) Inventor: **François Kergoët**, Malakoff (FR)

(73) Assignee: **KOHLER CO.**, Kohler, WI (US)

(**) Term: **15 Years**

(21) Appl. No.: **29/648,021**

(22) Filed: **May 17, 2018**

(51) **LOC (12) Cl.** **23-01**

(52) **U.S. Cl.**
USPC **D23/284**

(58) **Field of Classification Search**
CPC combination set(s) only.
See application file for complete search history.

(56) **References Cited**

U.S. PATENT DOCUMENTS

D116,564 S	*	9/1939	Love	D23/290
D299,166 S		12/1988	Reid		
D319,497 S		8/1991	Reid		
D406,324 S	*	3/1999	Johnson	D23/290
D634,822 S		3/2001	Bickerstaffe		
D461,881 S		8/2002	McKeone		
D482,434 S		11/2003	Piatt		
D495,792 S		9/2004	Sutopo		
D497,416 S		10/2004	Piatt		
D497,418 S		10/2004	Piatt		
D504,718 S		5/2005	Piatt		
D504,719 S		5/2005	Piatt		
D504,720 S		5/2005	Piatt		
D508,983 S		8/2005	Piatt		
D510,987 S		10/2005	Piatt		
D547,844 S	*	7/2007	Mukai	D23/293.1
D598,085 S		8/2009	Booth		
D652,492 S	*	1/2012	Slothower	D23/293.1

D663,017 S	*	7/2012	Slothower	D23/308
D728,082 S	*	4/2015	Sukhera	D23/286
D745,647 S	*	12/2015	Schonherr	D23/284
D759,795 S	*	6/2016	LeTourneau	D23/284
D835,762 S	*	12/2018	Levi	D23/290

* cited by examiner

Primary Examiner — Robert A Delehanty

(74) *Attorney, Agent, or Firm* — Foley & Lardner LLP

(57) **CLAIM**

I claim the ornamental design for a vanity, as shown and described.

DESCRIPTION

FIG. 1 is a perspective view of an embodiment of the claimed design;

FIG. 2 is a top view of the embodiment of FIG. 1;

FIG. 3 is a bottom view of the embodiment of FIG. 1;

FIG. 4 is a front view of the embodiment of FIG. 1;

FIG. 5 is a rear view of the embodiment of FIG. 1;

FIG. 6 is a side view of the embodiment of FIG. 1; and

FIG. 7 is another side view of the embodiment of FIG. 1.

FIG. 8 is a perspective view of another embodiment of the claimed design;

FIG. 9 is a top view of the embodiment of FIG. 8;

FIG. 10 is a front view of the embodiment of FIG. 8;

FIG. 11 is a rear view of the embodiment of FIG. 8;

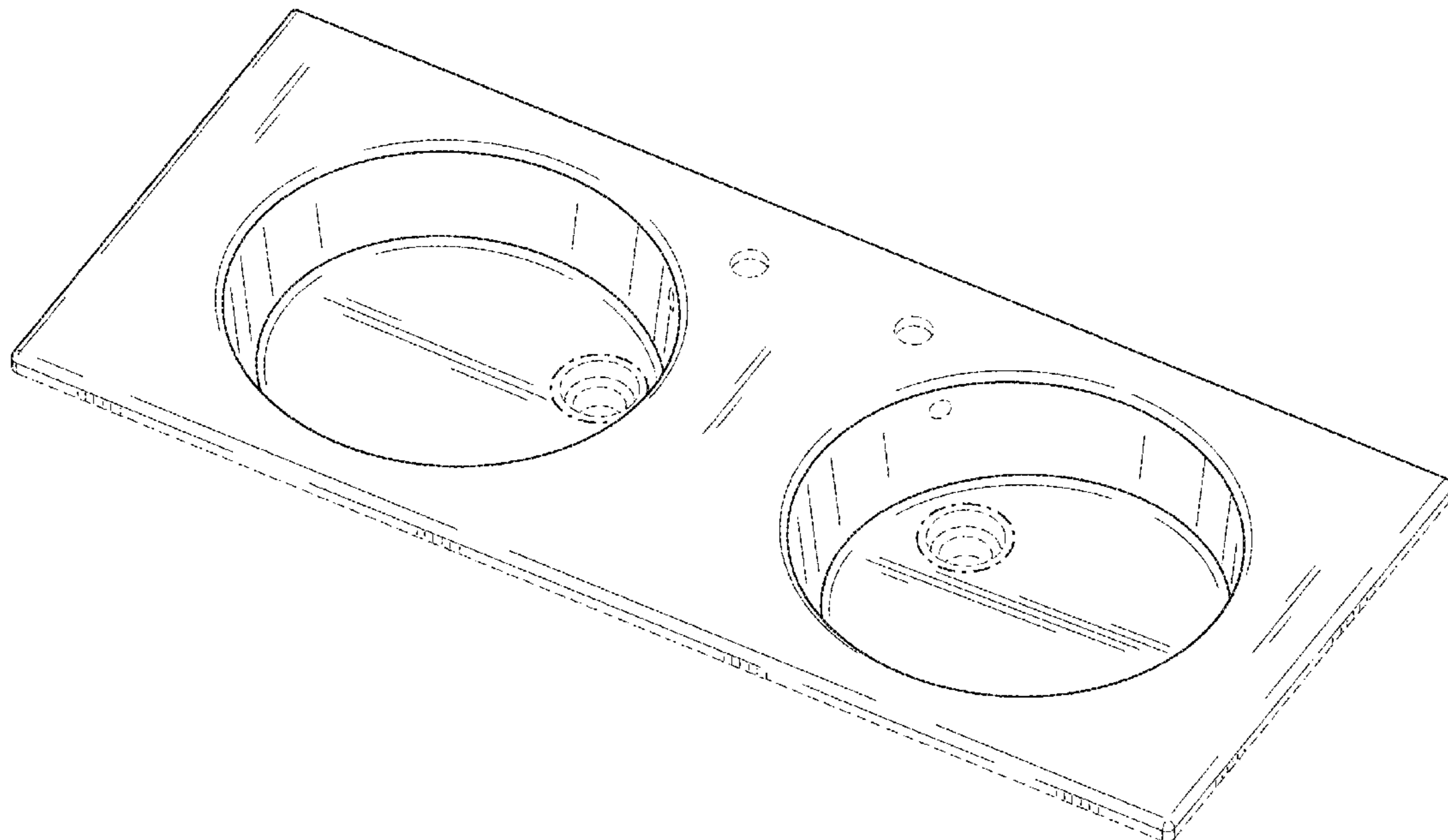
FIG. 12 is a side view of the embodiment of FIG. 8;

FIG. 13 is another side view of the embodiment of FIG. 8; and,

FIG. 14 is a bottom view of the embodiment of FIG. 8.

The ornamental design which is claimed is shown in solid lines in the drawings. The broken lines in the drawings are for illustrative purposes only and form no part of the claimed design. Broken lines formed of unequal length dashes (i.e., dash-dot) define bounds of the claimed design.

1 Claim, 10 Drawing Sheets



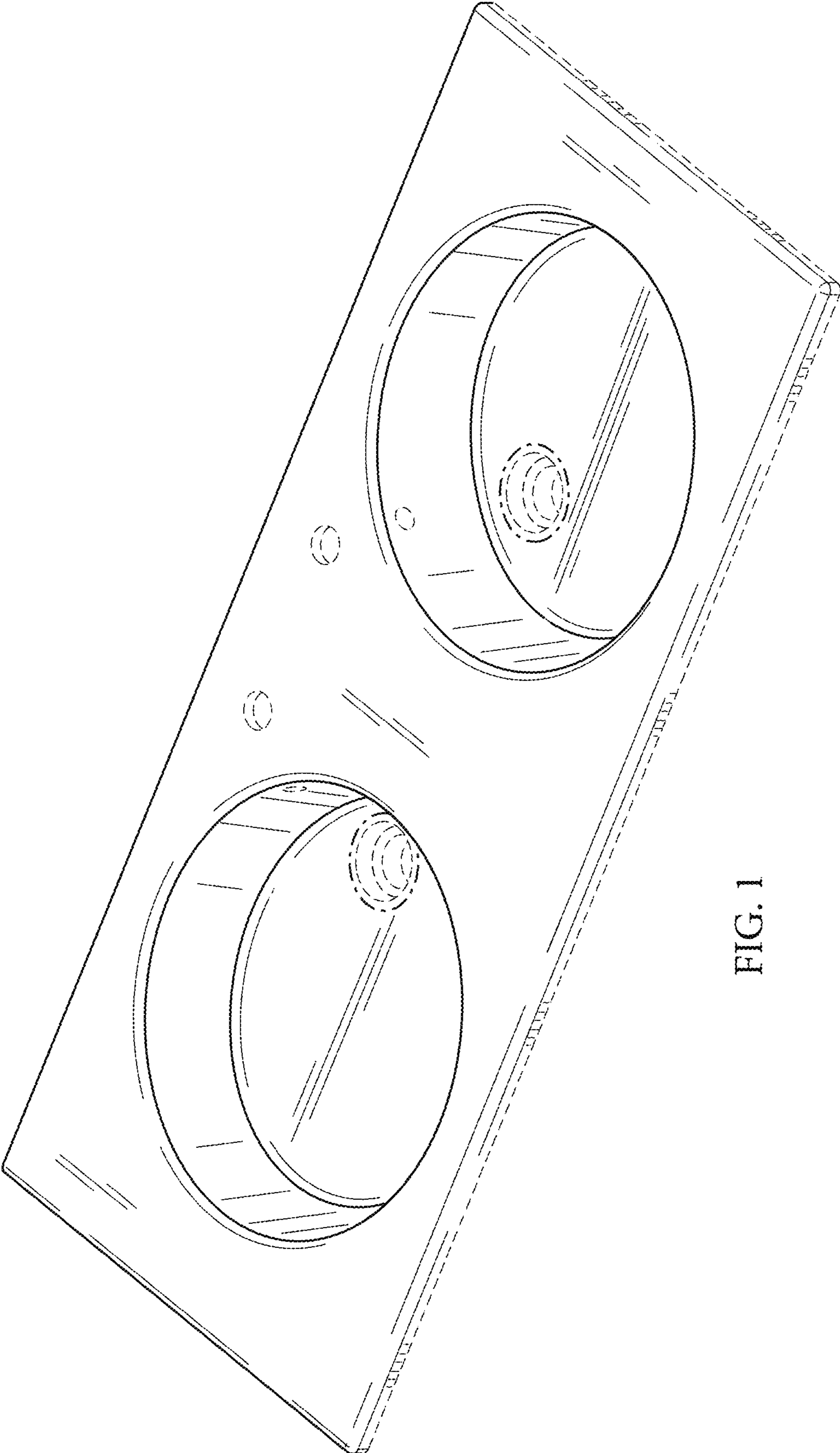


FIG. 1

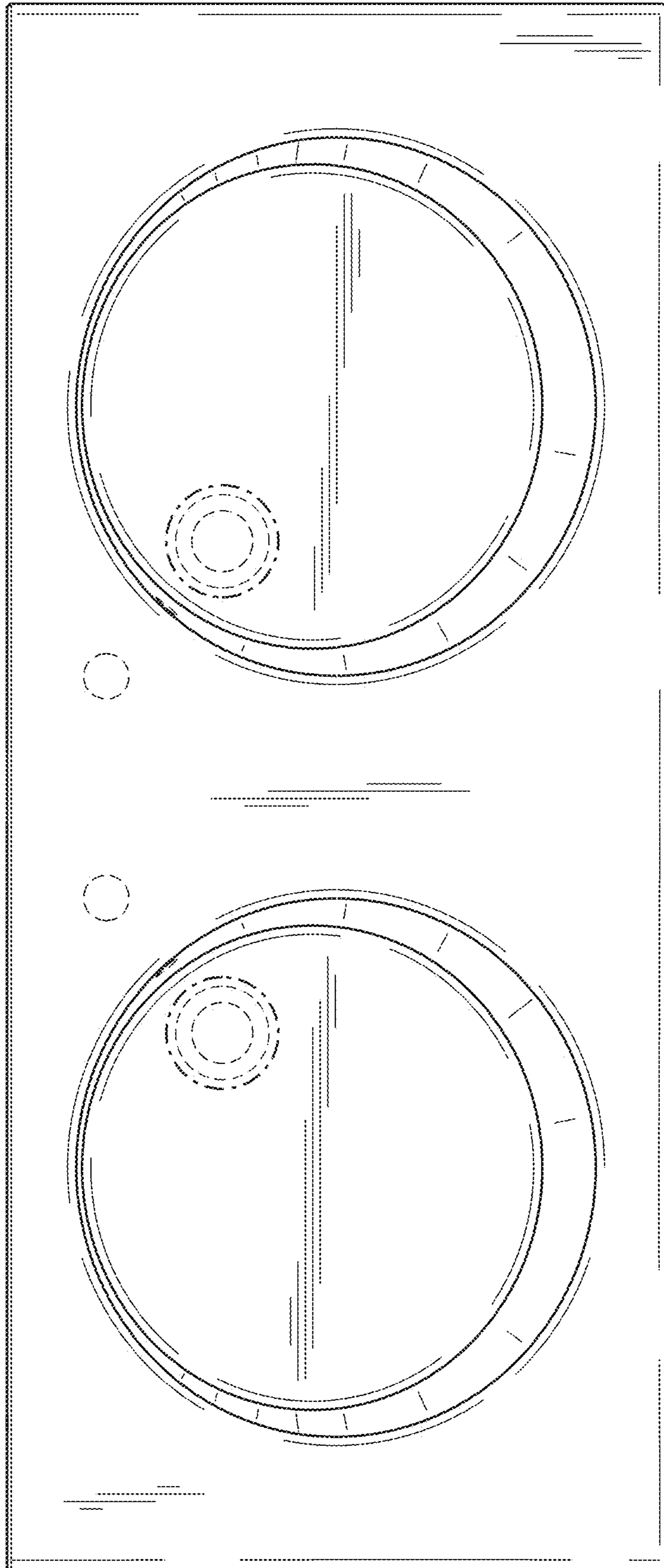


FIG. 2

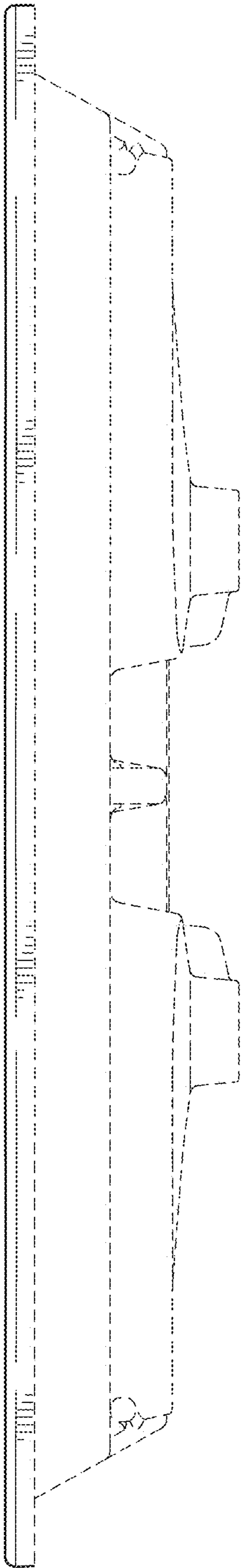


FIG. 3

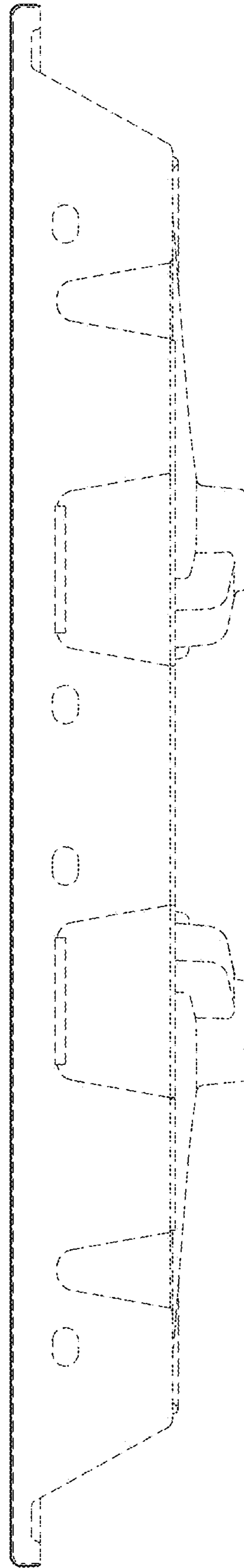


FIG. 4

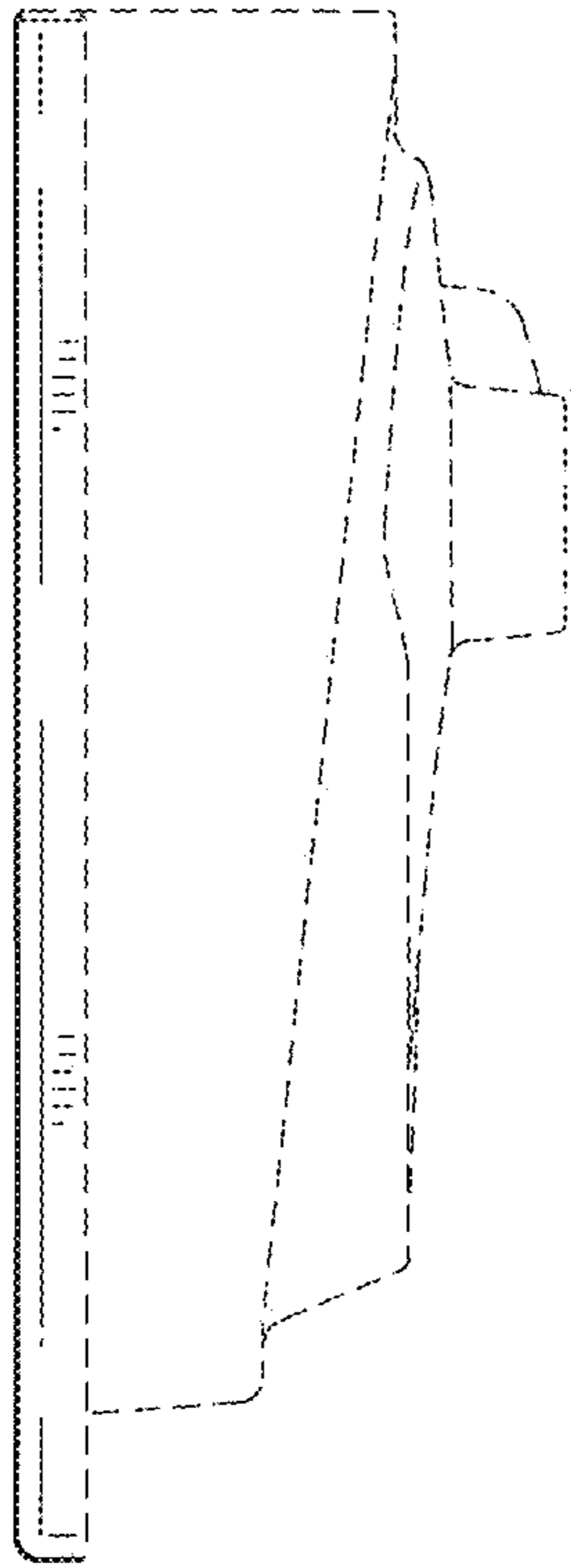


FIG. 5

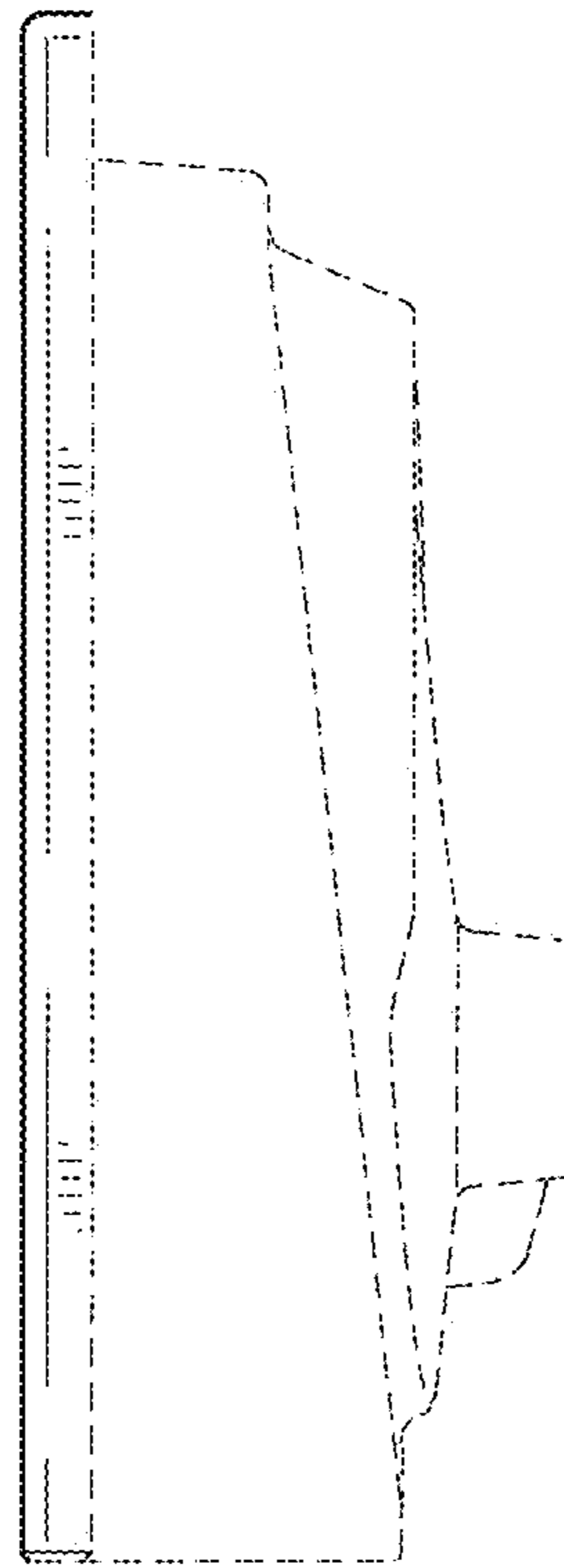


FIG. 6

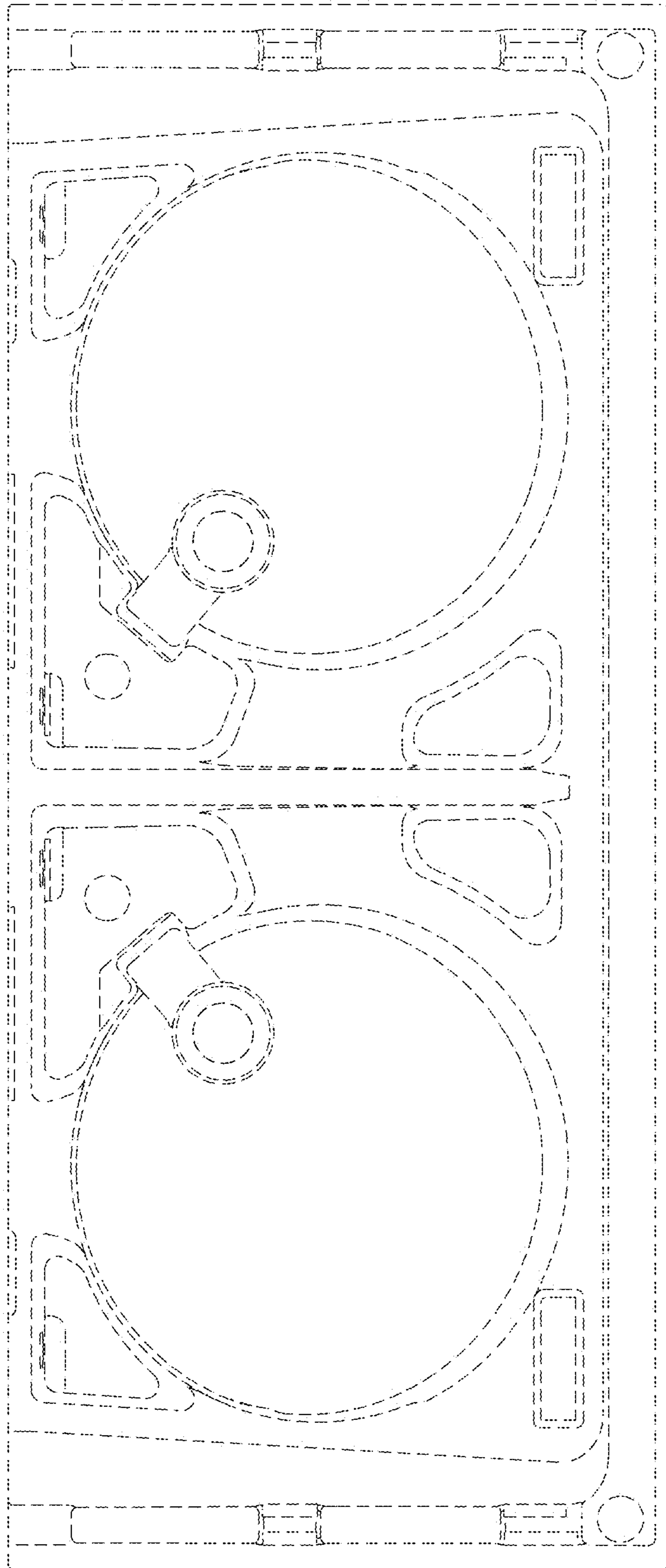


FIG. 7

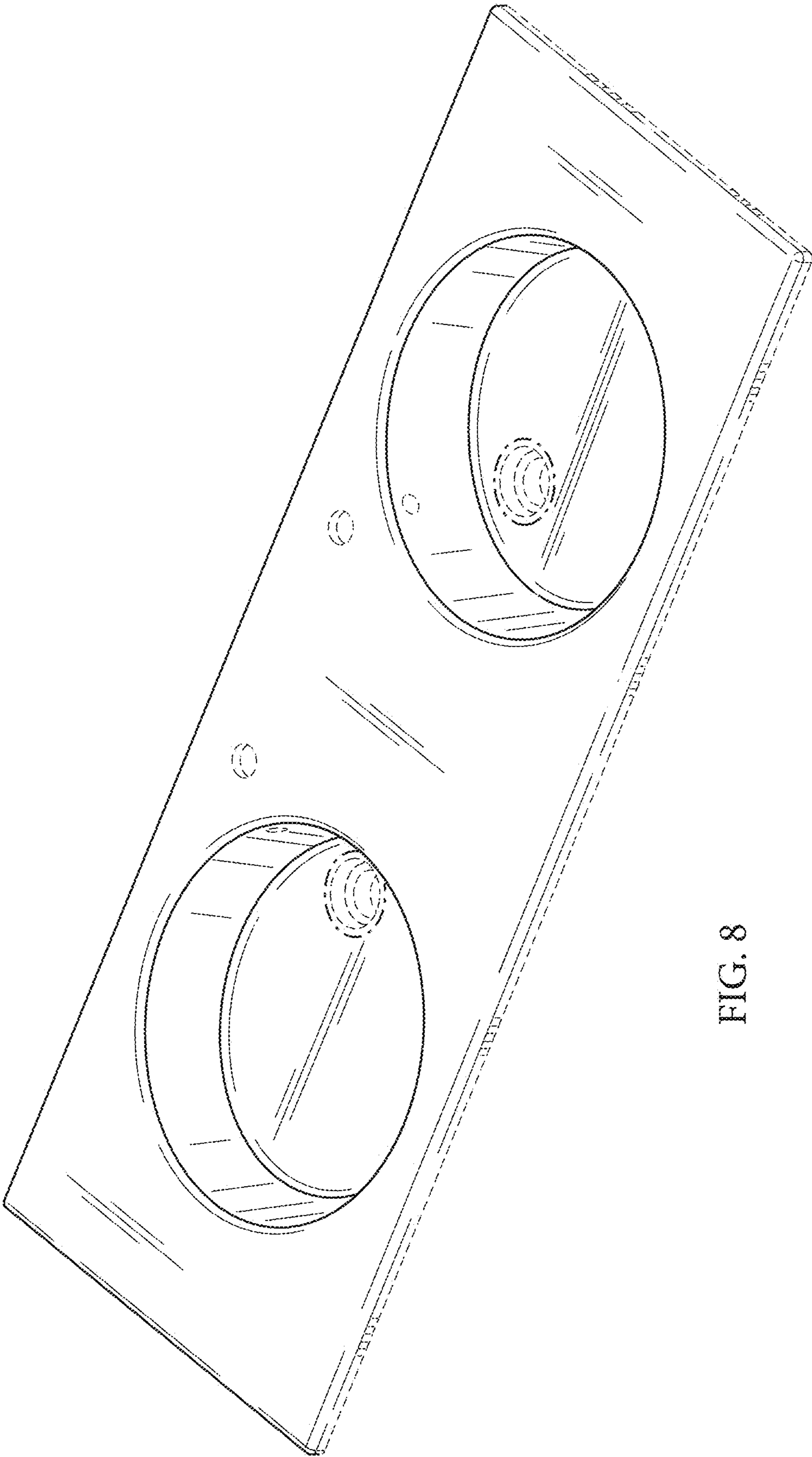


FIG. 8

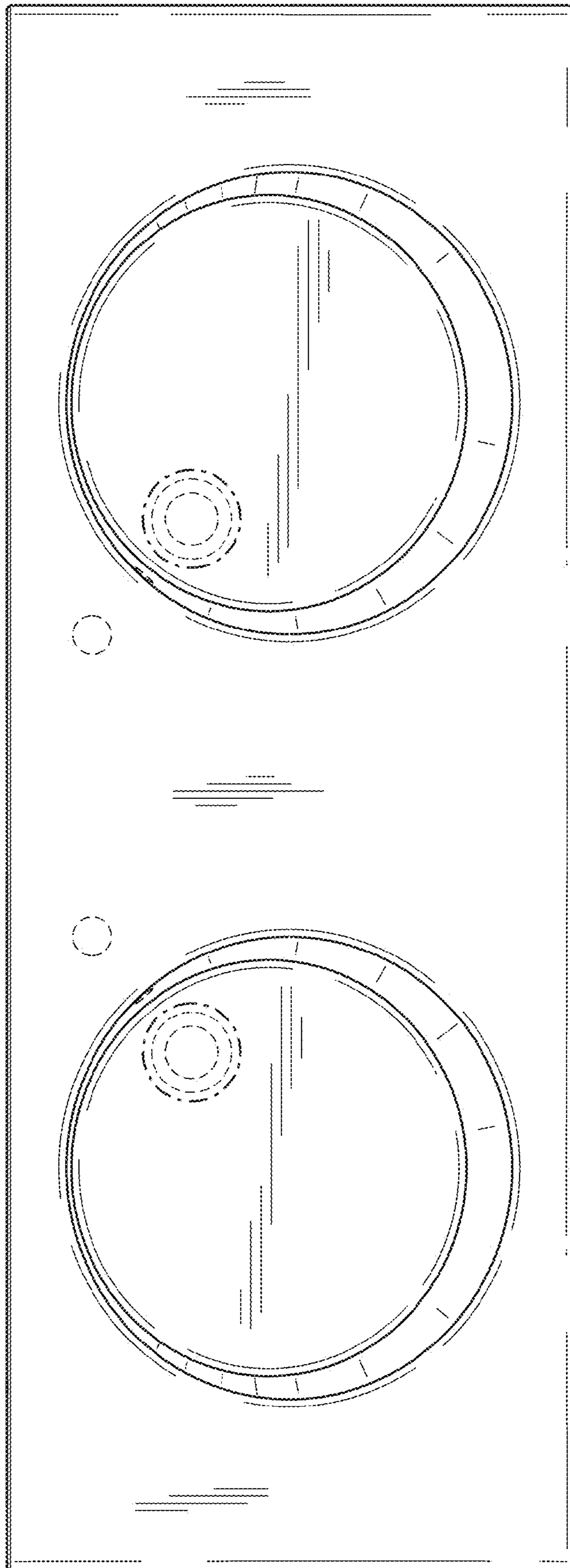


FIG. 9

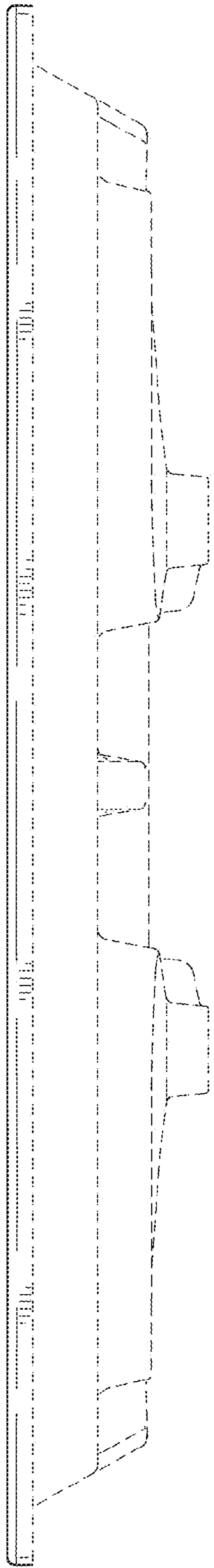


FIG. 10

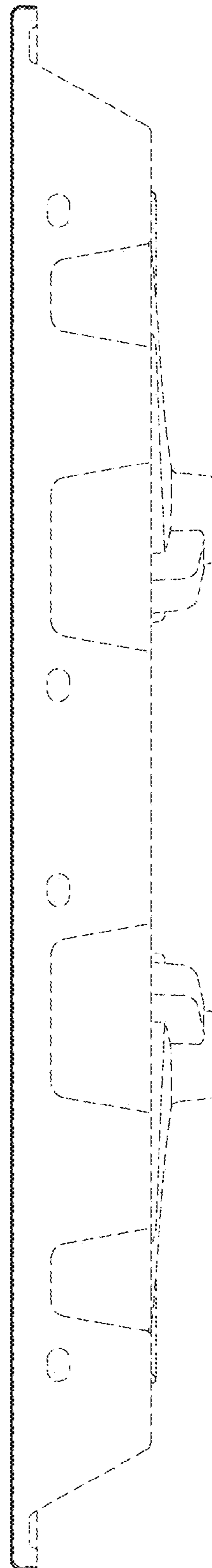


FIG. 11

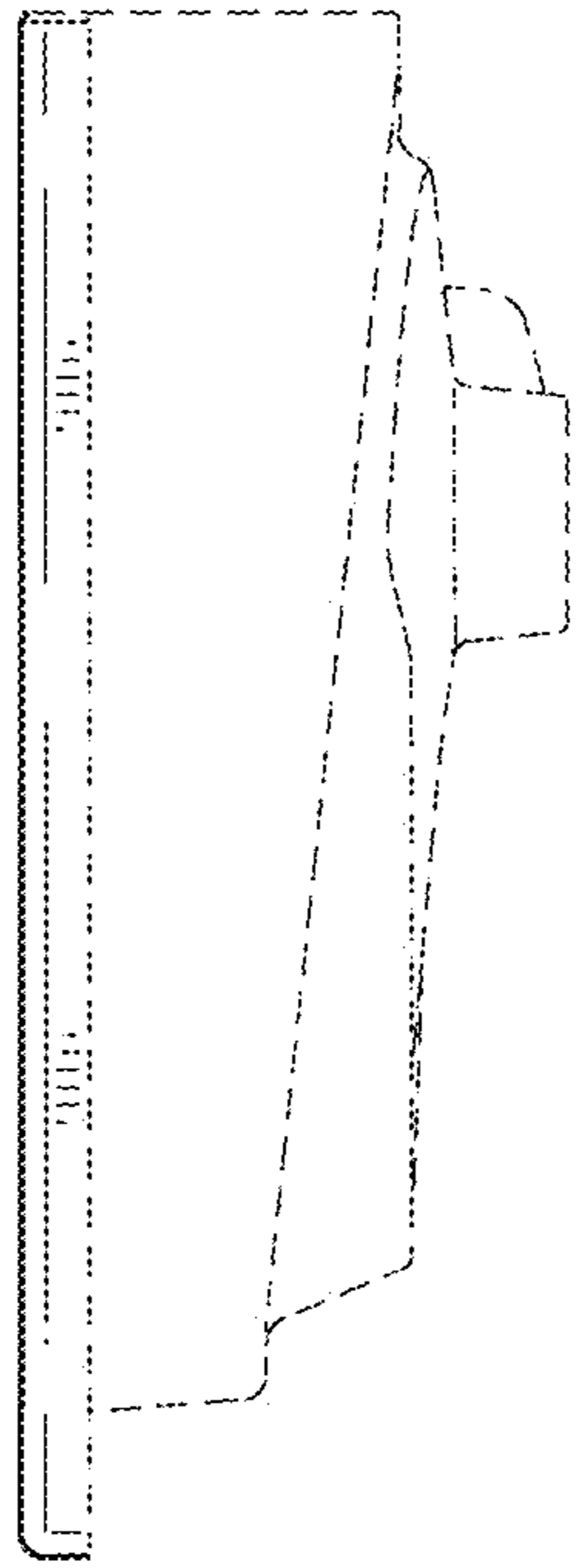


FIG. 12

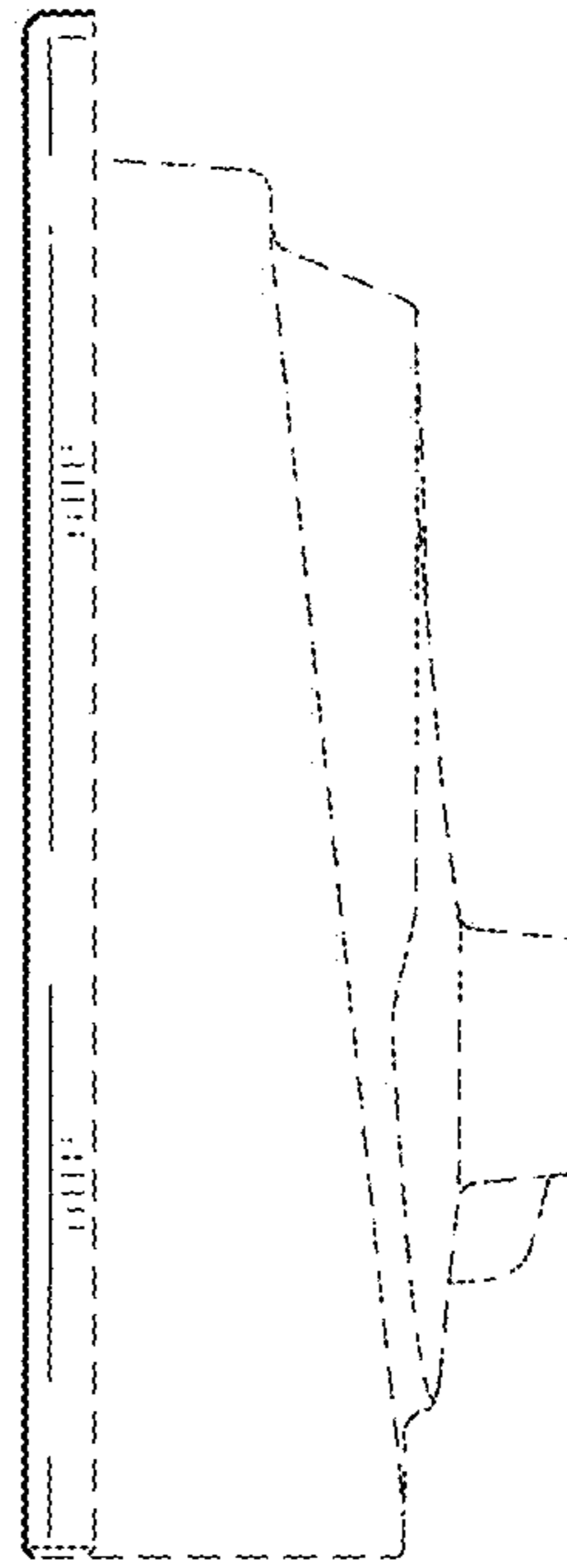


FIG. 13

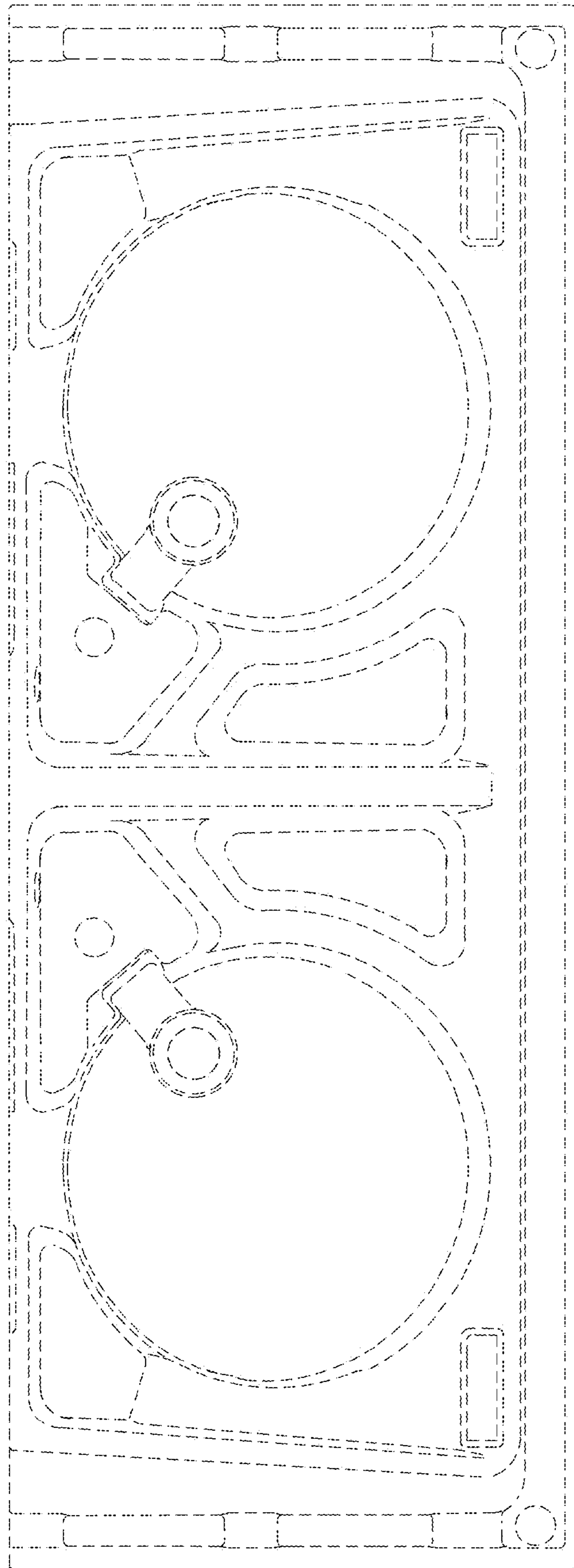


FIG. 14