



US00D867552S

(12) **United States Design Patent** (10) **Patent No.:** **US D867,552 S**
Kiukas (45) **Date of Patent:** **** Nov. 19, 2019**

(54) **BATH TUB FOR SITZ-BATHS**
(71) Applicant: **AVANTOPOOL OY**, Espoo (FI)
(72) Inventor: **Juha Kiukas**, Espoo (FI)
(**) Term: **15 Years**
(21) Appl. No.: **35/506,258**
(22) Filed: **Jun. 26, 2018**

(80) **Hague Agreement Data**

Int. Filing Date: **Jun. 26, 2018**
Int. Reg. No.: **DM/101962**
Int. Reg. Date: **Jun. 26, 2018**
Int. Reg. Pub. Date: **Dec. 28, 2018**

(51) **LOC (12) Cl.** **23-02**
(52) **U.S. Cl.**
USPC **D23/277**

(58) **Field of Classification Search**
USPC D23/275, 277, 280.1, 303, 304, 306;
D24/204, 205
CPC . A47K 3/38; A47K 1/14; A47K 3/001; A47K
3/003; A47K 3/02; A47K 3/00; A47K
3/006; A47K 3/281; A47K 3/30; A47K
3/40; A47K 10/04; A47K 17/00; A47K
17/022; A47K 17/024; A47K 2201/00;
A47K 3/008; A47K 3/03; A47K 3/04;
A47K 3/064; A47K 3/08; A47K 3/10;
A47K 3/12; A47K 3/122; A47K 3/14;
A47K 3/16; A47K 3/1605; A47K 3/282;
A47K 3/34; A47K 3/405

See application file for complete search history.

(56) **References Cited**

U.S. PATENT DOCUMENTS

D454,181 S * 3/2002 Bertoli D23/277
D484,955 S * 1/2004 Shimizu D23/277

D592,736 S * 5/2009 Cunningham D23/277
D613,834 S * 4/2010 Kergoet D23/277
D617,432 S * 6/2010 Stanchak D23/277
D638,107 S * 5/2011 Jiang D23/277
D672,017 S * 12/2012 Garrels D23/277
D728,760 S * 5/2015 Spangler D23/277
D738,993 S * 9/2015 Spangler D23/277
D745,645 S * 12/2015 Burke D23/277
D795,400 S * 8/2017 Nishida D23/277
D834,157 S * 11/2018 L'Henaff D23/277

* cited by examiner

Primary Examiner — Khawaja Anwar

(57) **CLAIM**

The ornamental design for a bath tub for sitz-baths, as shown and described.

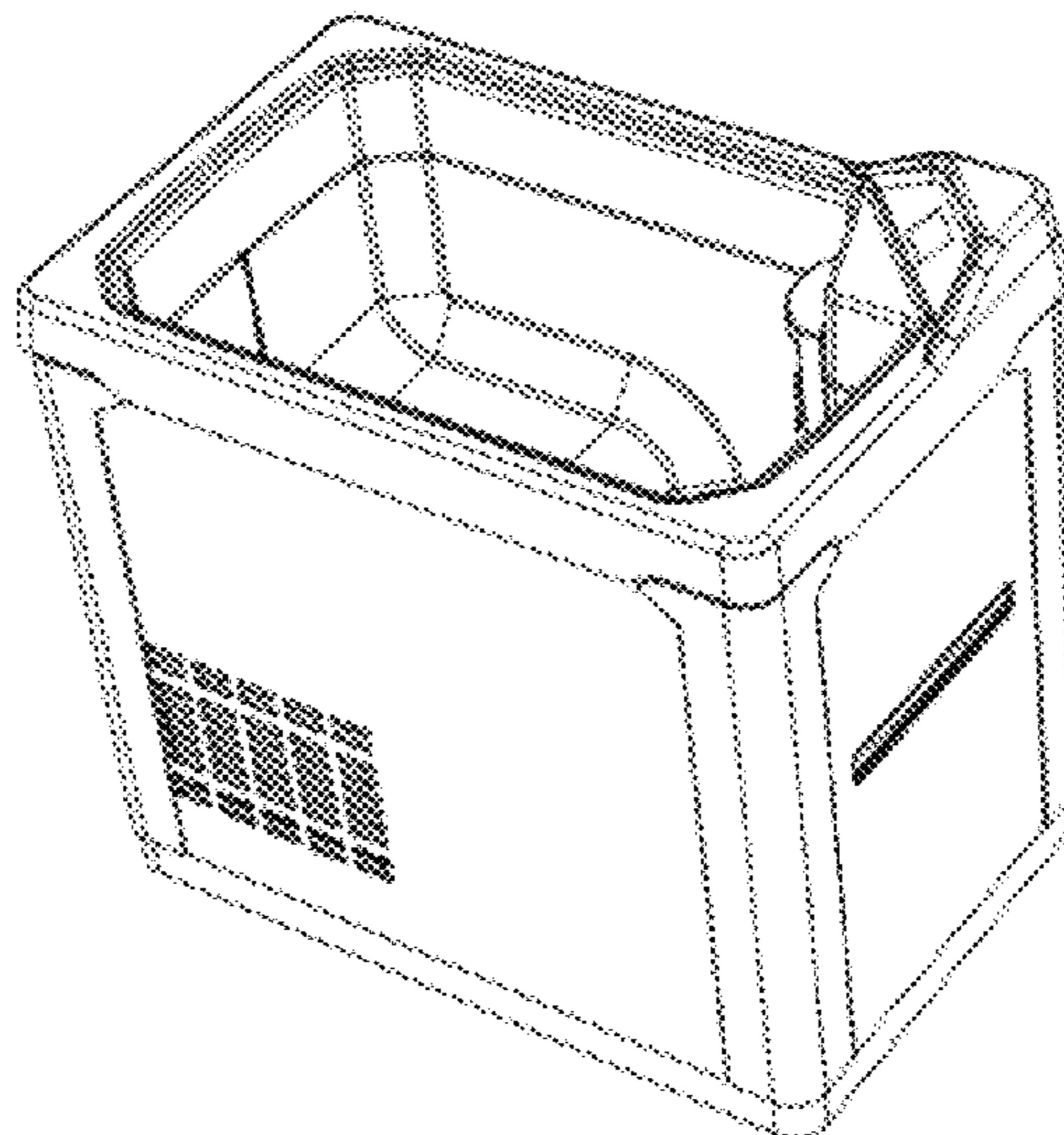
DESCRIPTION

1. Bath tub for sitz-baths

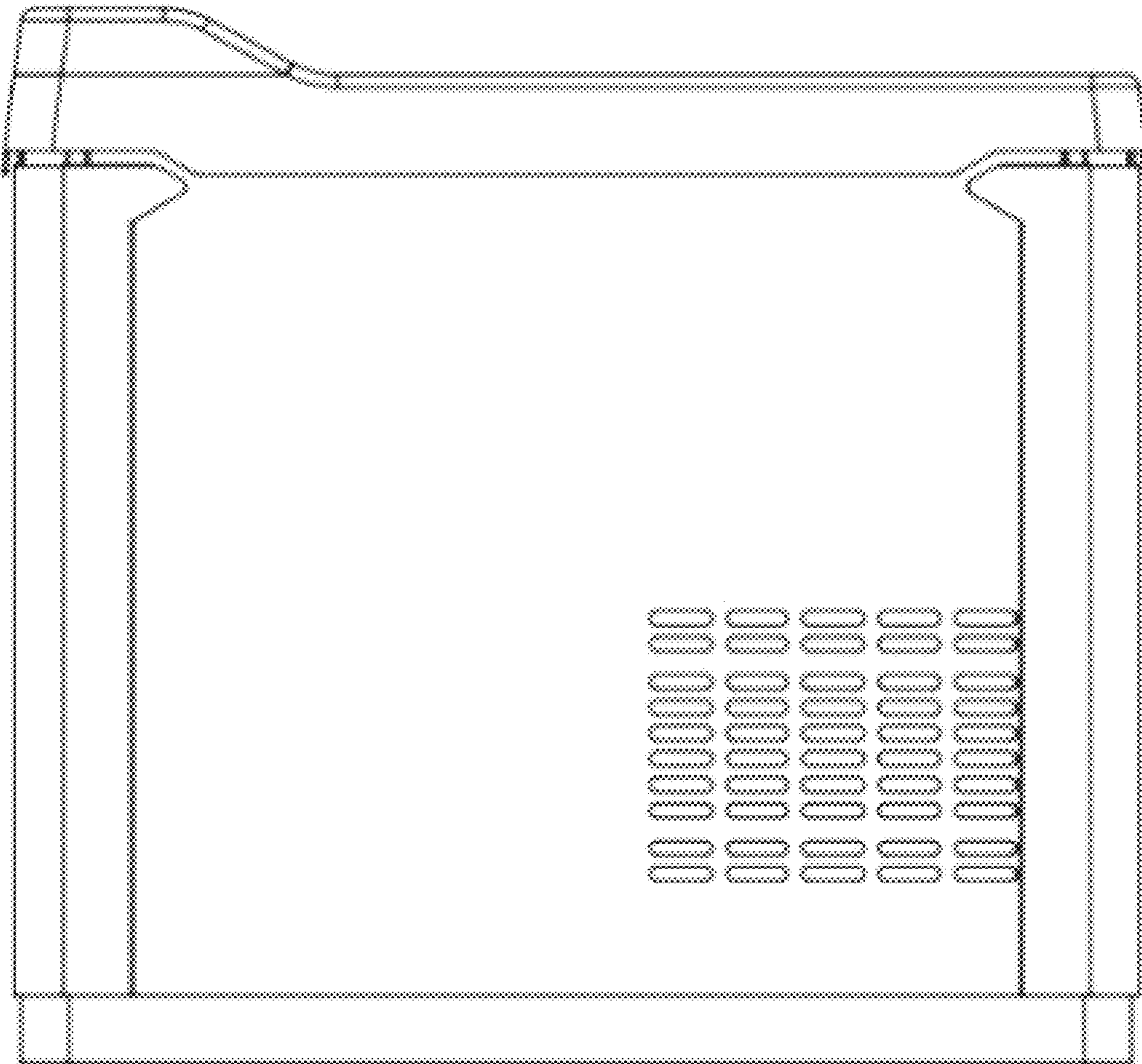
- 1.1 : Front
- 1.2 : Right
- 1.3 : Back
- 1.4 : Left
- 1.5 : Top
- 1.6 : Perspective
- 1.7 : Perspective

Reproduction 1.1 is a front view of the bath tub; reproduction 1.2 is a right view thereof; reproduction 1.3 is a back view thereof; reproduction 1.4 is a left view thereof; reproduction 1.5 is a top view thereof; reproduction 1.6 is a perspective top left view thereof; reproduction 1.7 is a perspective top right view thereof; bottom view is omitted because it is not viewable in normal use of the bath and includes no ornamentation.

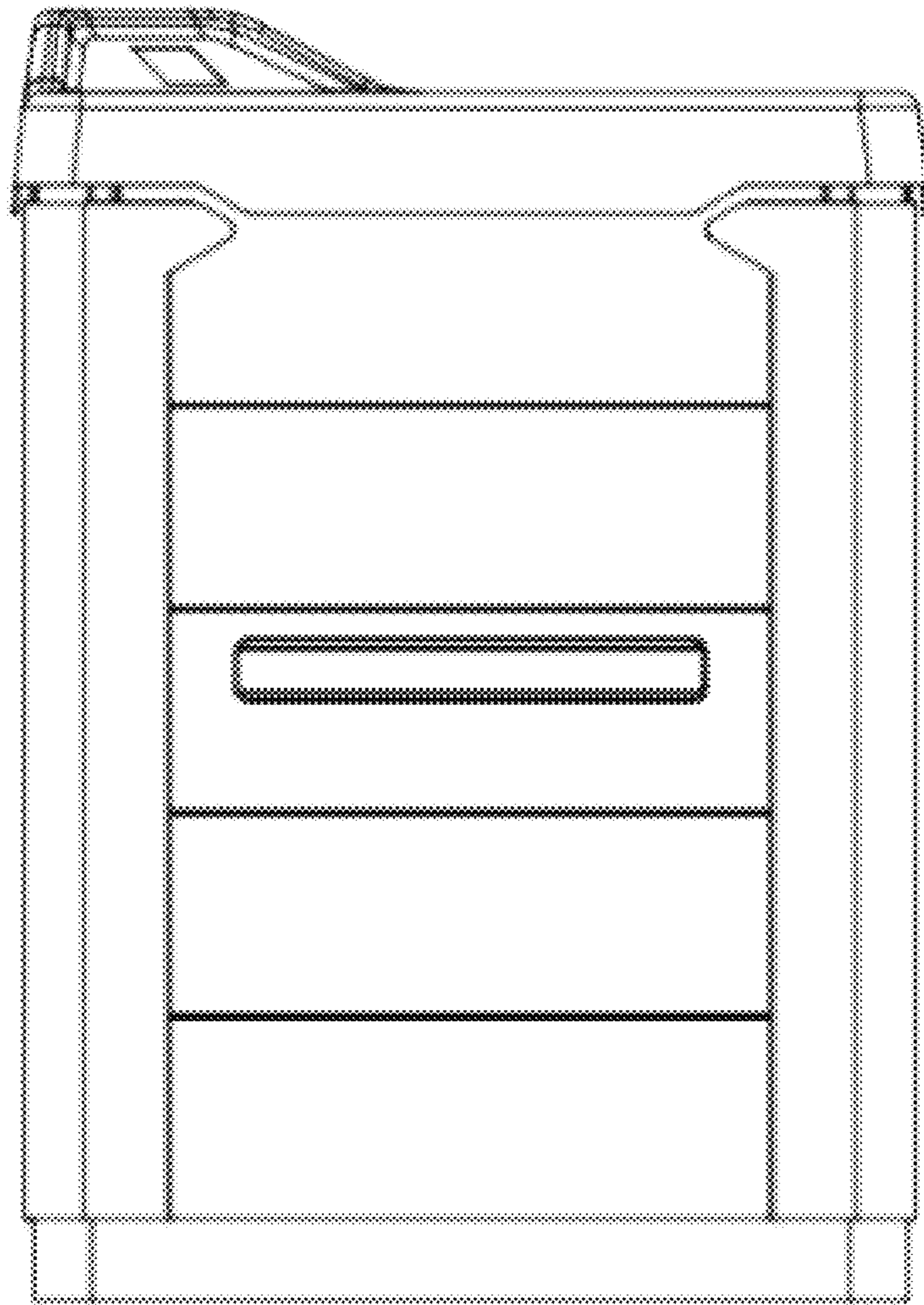
1 Claim, 7 Drawing Sheets



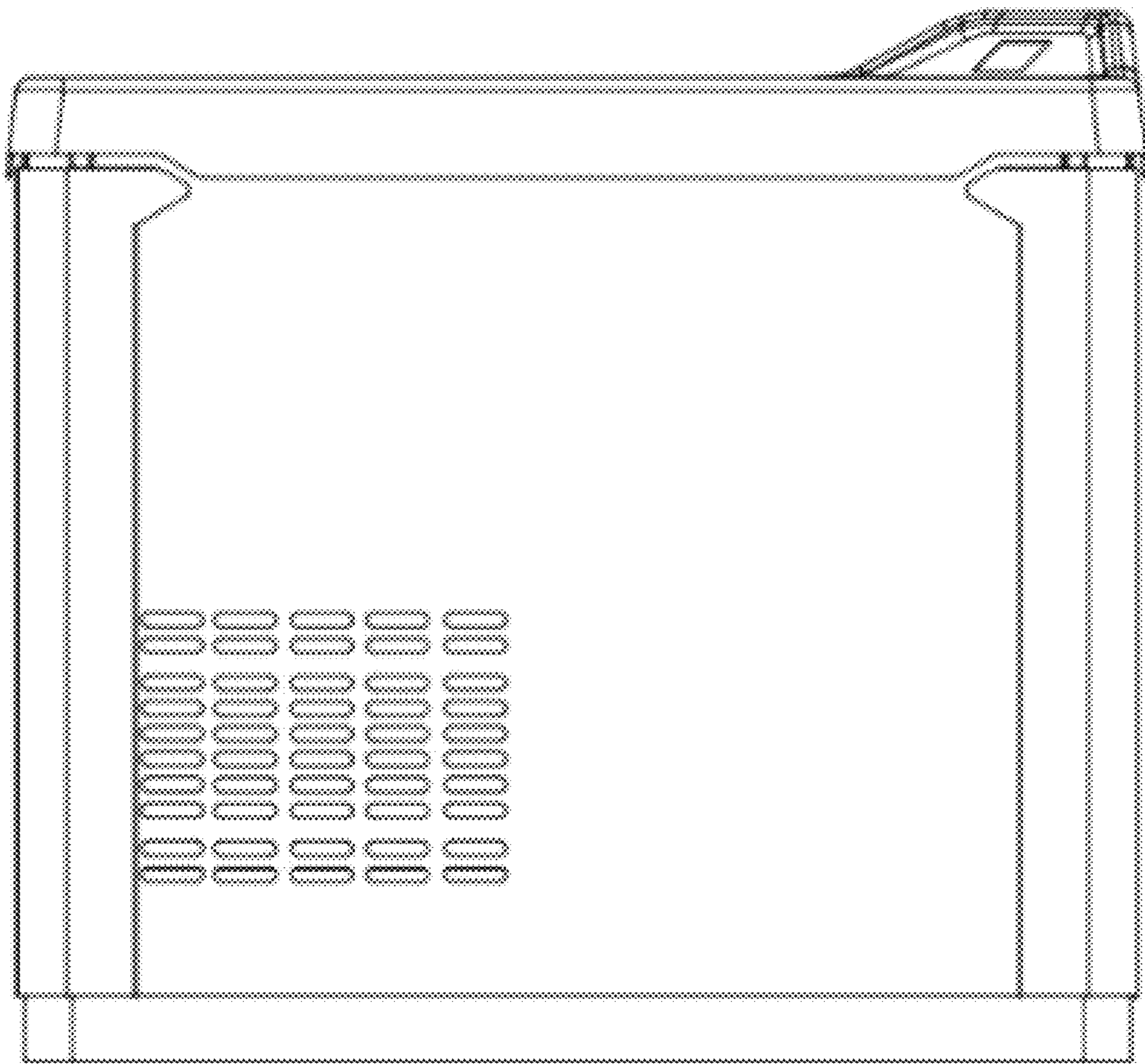
1.1



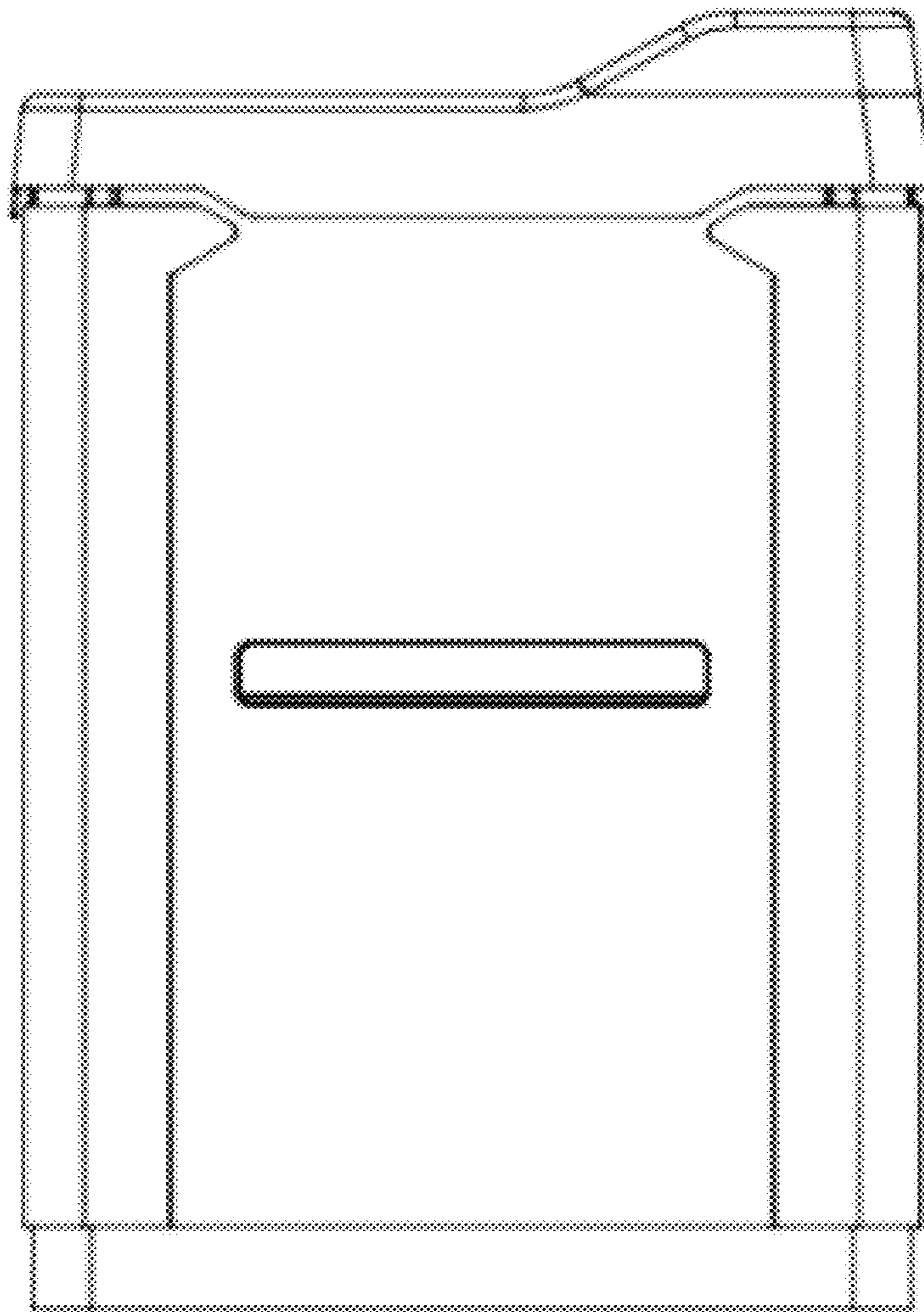
1.2



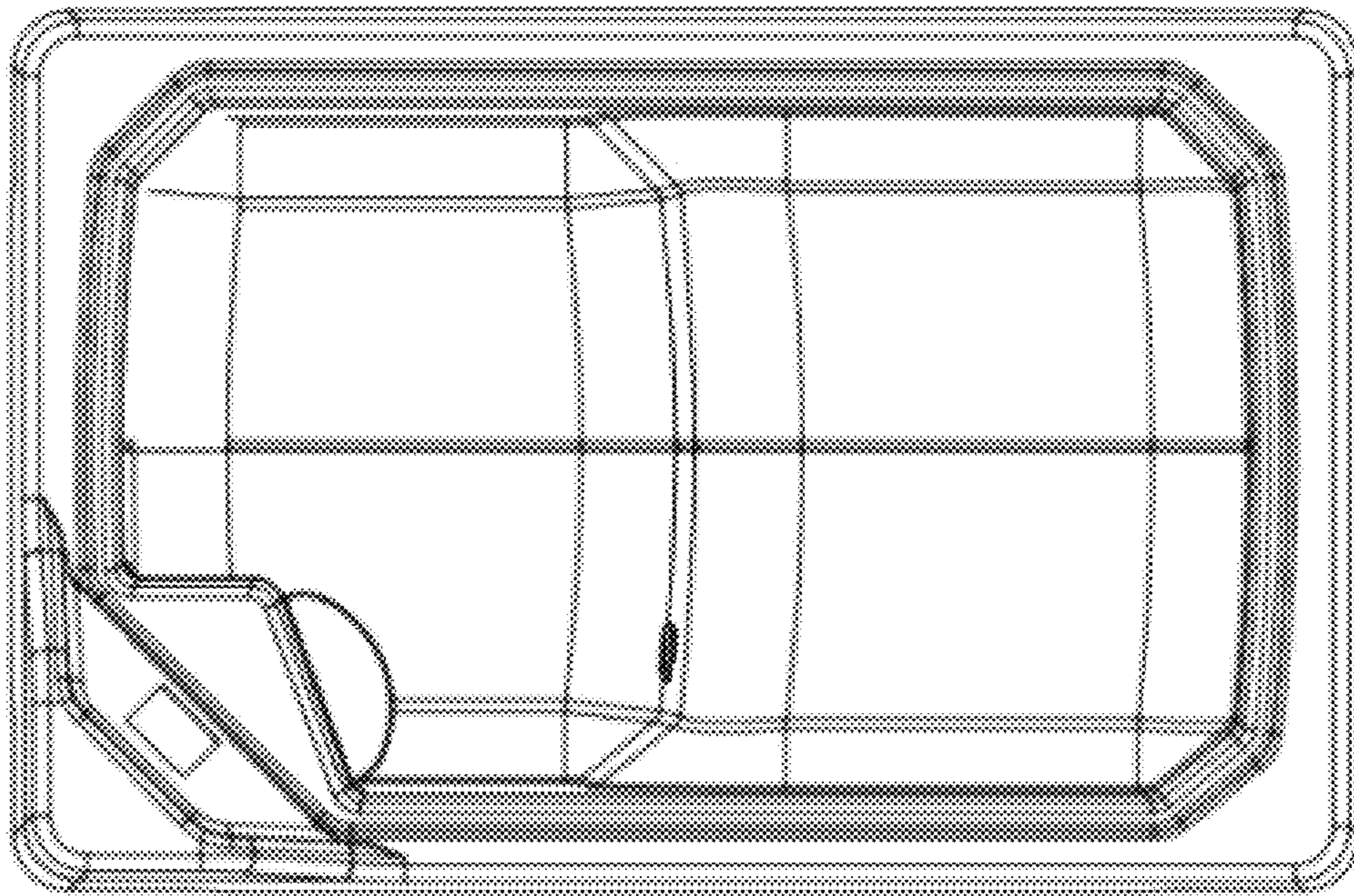
1.3



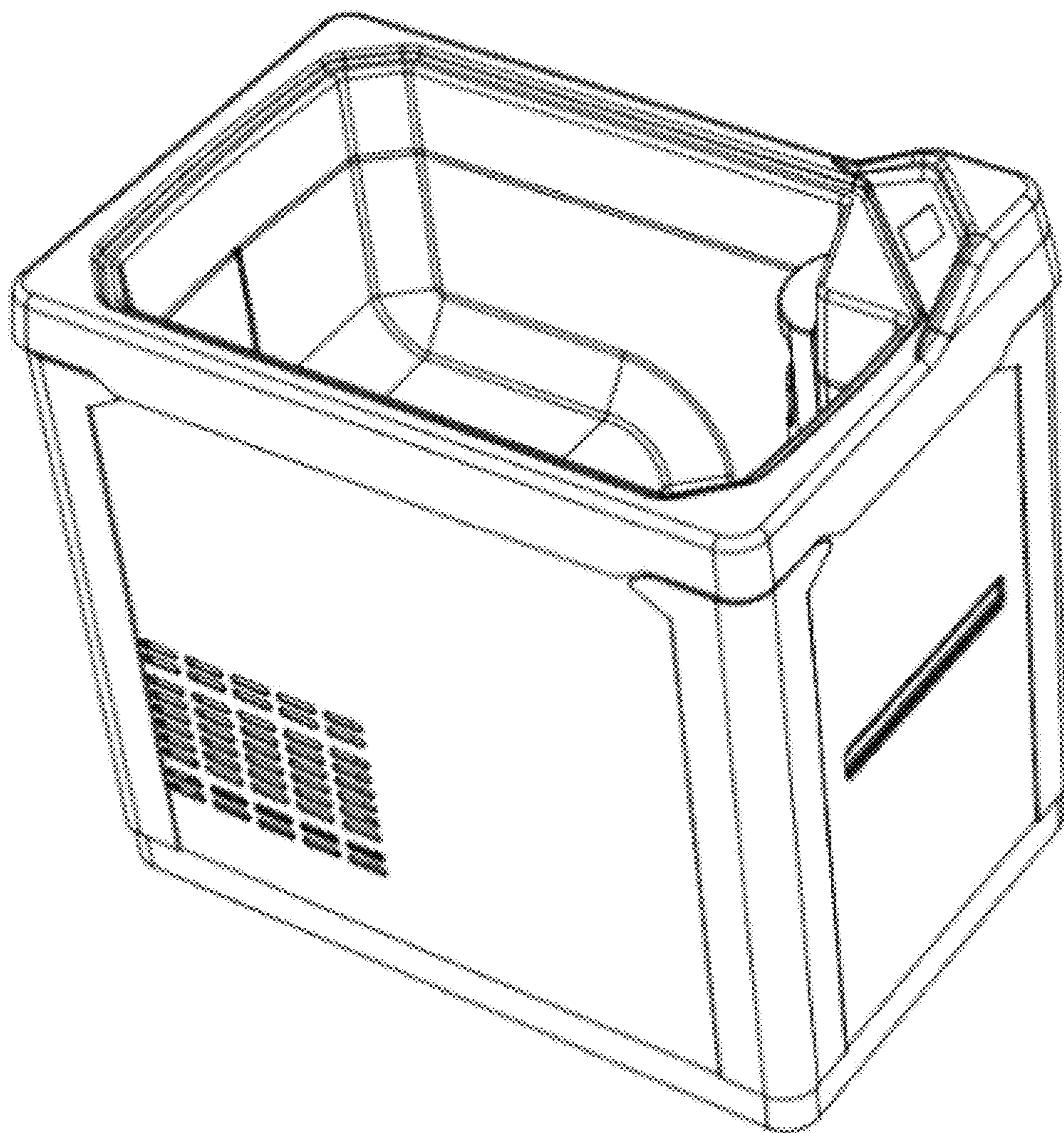
1.4



1.5



1.6



1.7

