

US00D867547S

(12) **United States Design Patent**  
**Garland**

(10) **Patent No.:** **US D867,547 S**

(45) **Date of Patent:** **\*\* Nov. 19, 2019**

(54) **TUB SPOUT**

D619,223 S \* 7/2010 Sofield ..... D23/255  
D683,825 S \* 6/2013 Sofield ..... D23/255

(71) Applicant: **DELTA FAUCET COMPANY,**  
Indianapolis, IN (US)

\* cited by examiner

(72) Inventor: **Celine Kwok Garland,** Zionsville, IN  
(US)

*Primary Examiner* — Robert A Delehanty

(74) *Attorney, Agent, or Firm* — Edgar A. Zarins; Nirav  
D. Parikh

(73) Assignee: **DELTA FAUCET COMPANY,**  
Indianapolis, IN (US)

(57) **CLAIM**

(\*\*) Term: **15 Years**

The ornamental design for a tub spout, as shown and  
described.

(21) Appl. No.: **29/667,436**

**DESCRIPTION**

(22) Filed: **Oct. 22, 2018**

(51) **LOC (12) Cl.** ..... **23-01**

(52) **U.S. Cl.**  
USPC ..... **D23/255**

(58) **Field of Classification Search**  
USPC ..... D23/238, 241–243, 249, 255, 257  
See application file for complete search history.

FIG. 1 is a perspective view of a tub spout showing my new  
design;  
FIG. 2 is a front end view thereof;  
FIG. 3 is a rear view thereof;  
FIG. 4 is a top plan view thereof;  
FIG. 5 is a left side view thereof, the opposite side being a  
mirror image of the side shown; and,  
FIG. 6 is a bottom view thereof.

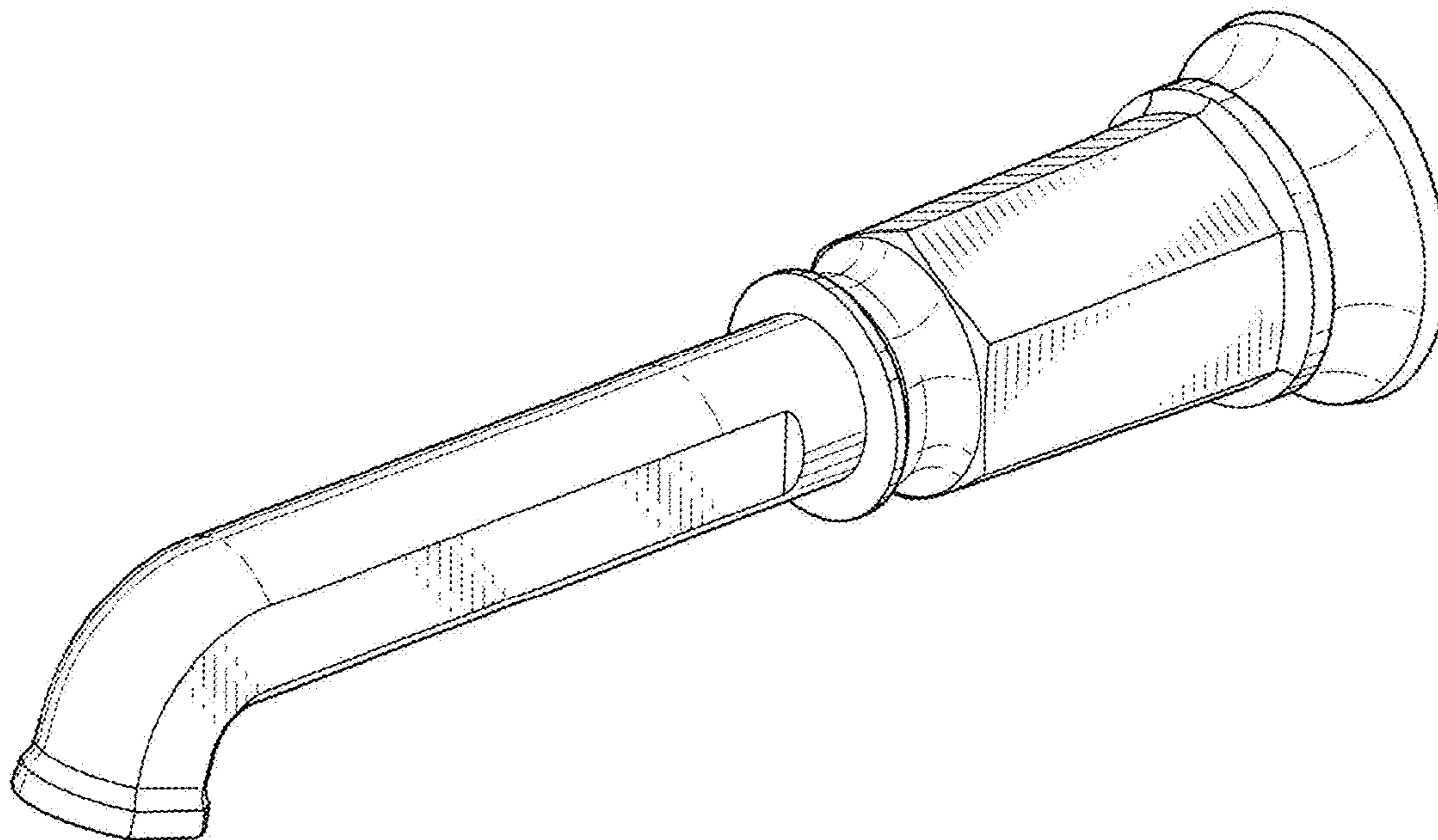
(56) **References Cited**

The broken-line disclosure in the view represents a portion  
of the tub spout in which the claimed design is embodied,  
but which forms no part of the claimed design.

**U.S. PATENT DOCUMENTS**

D76,827 S \* 11/1928 Smith ..... D23/252  
D461,538 S \* 8/2002 Gottwald ..... D23/255

**1 Claim, 2 Drawing Sheets**



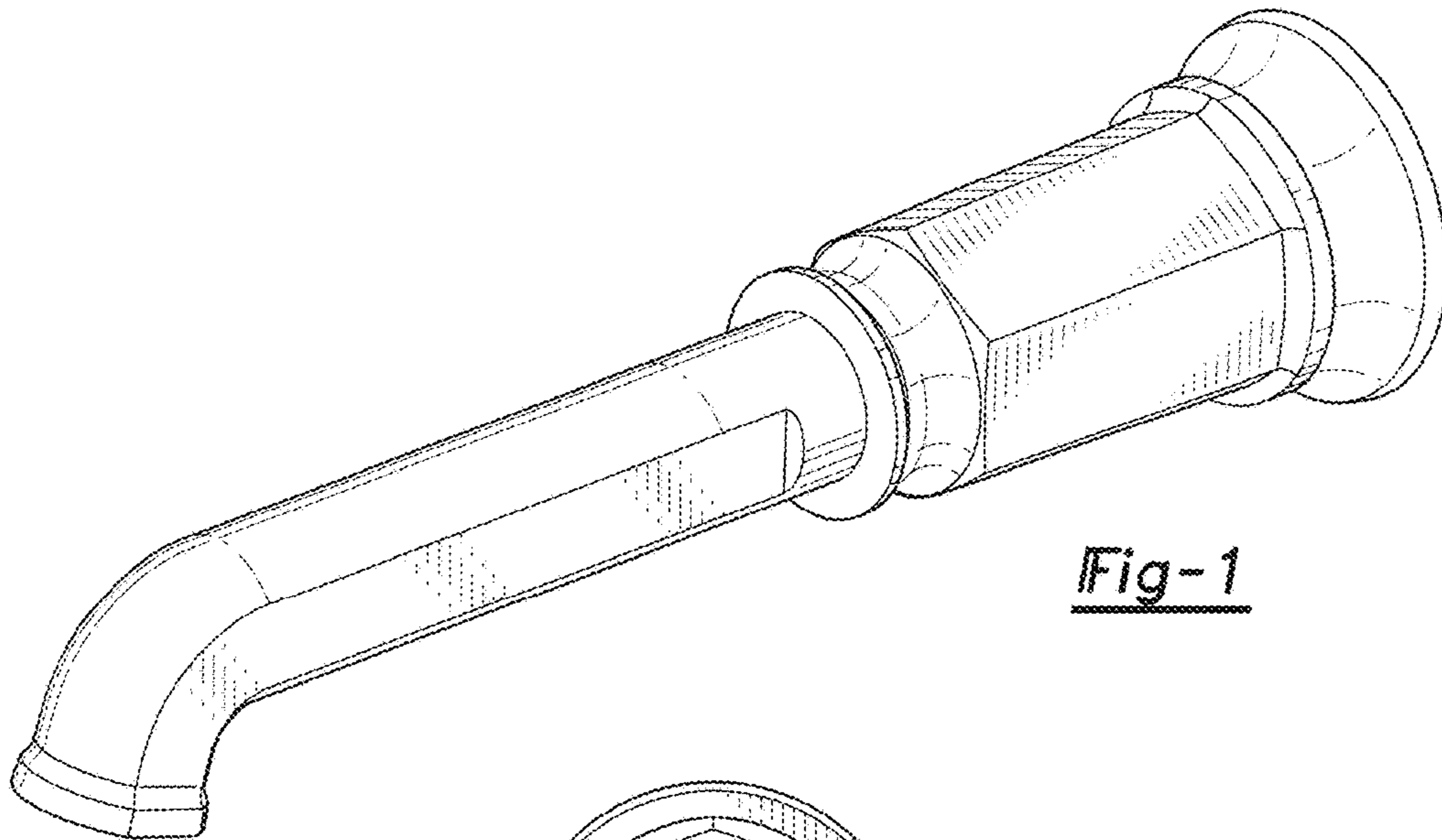


Fig-1

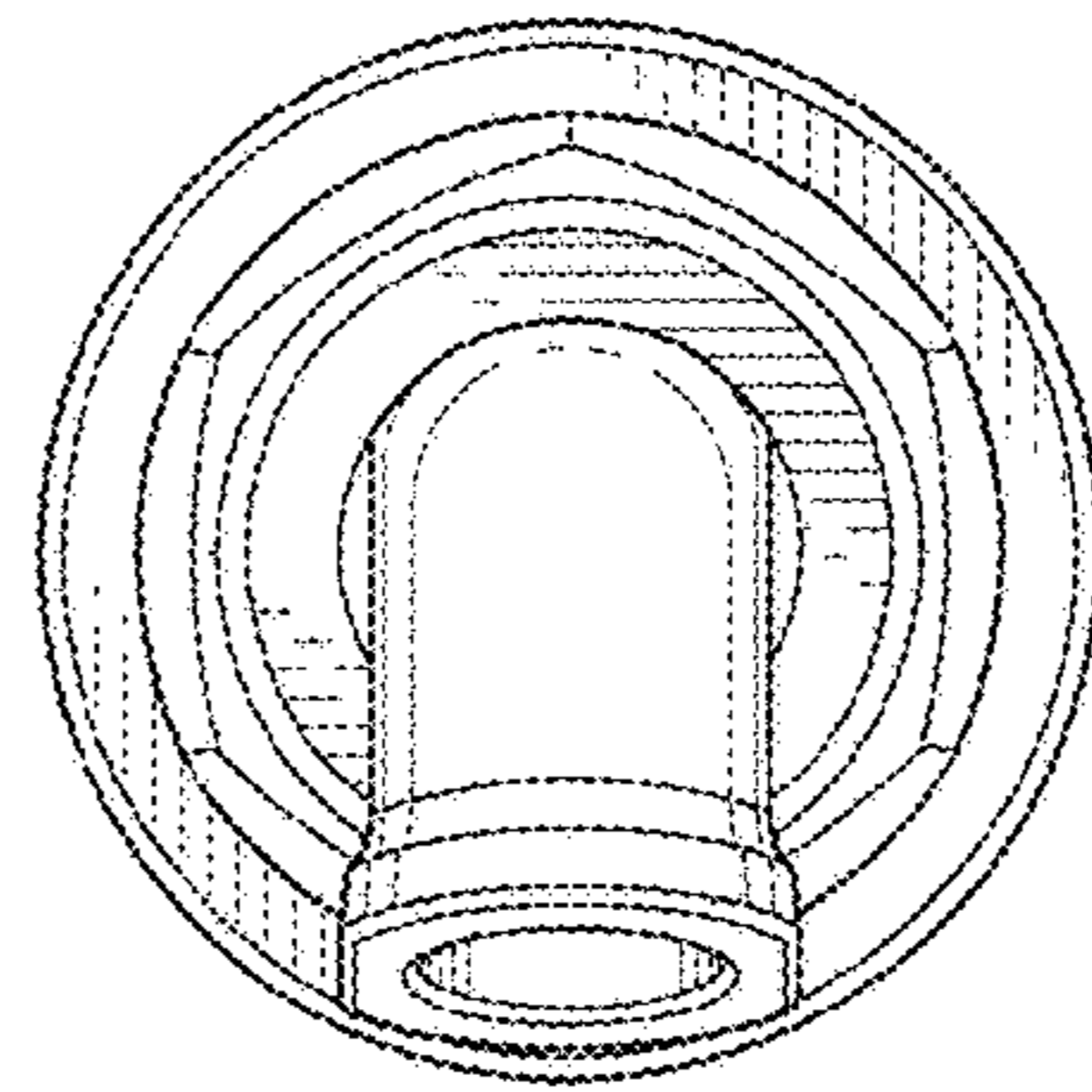


Fig-2

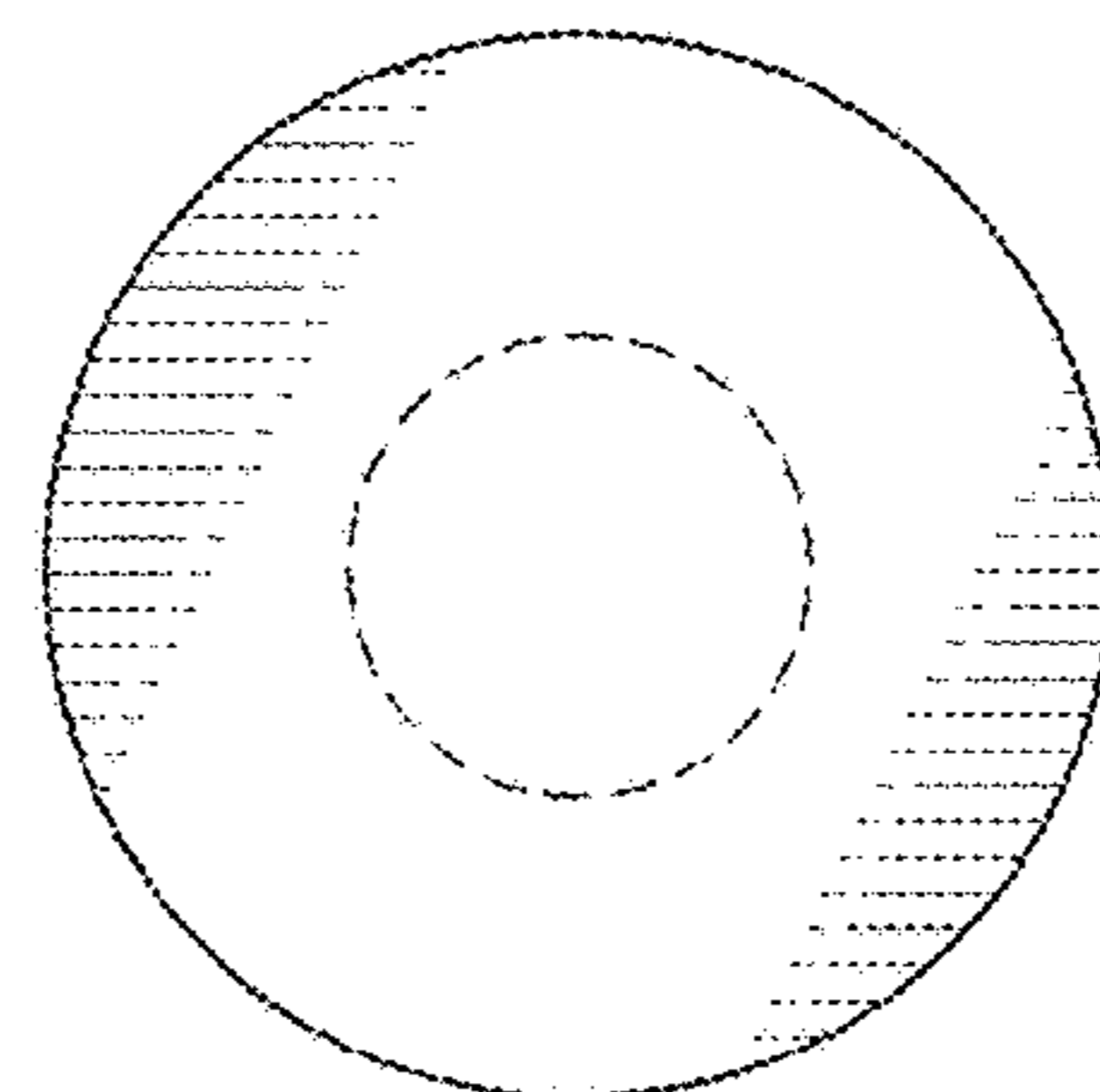


Fig-3

Fig-4

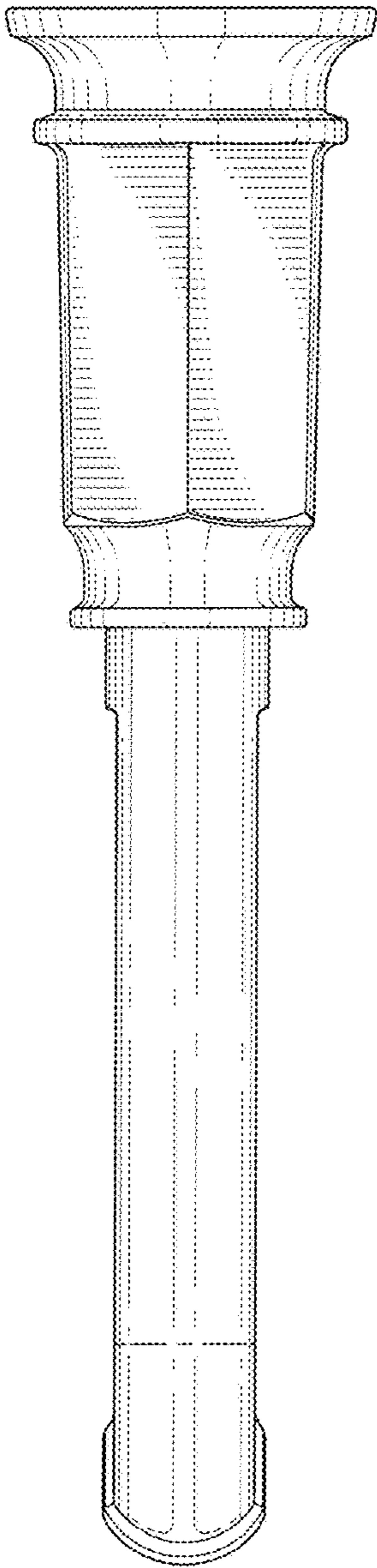


Fig-5

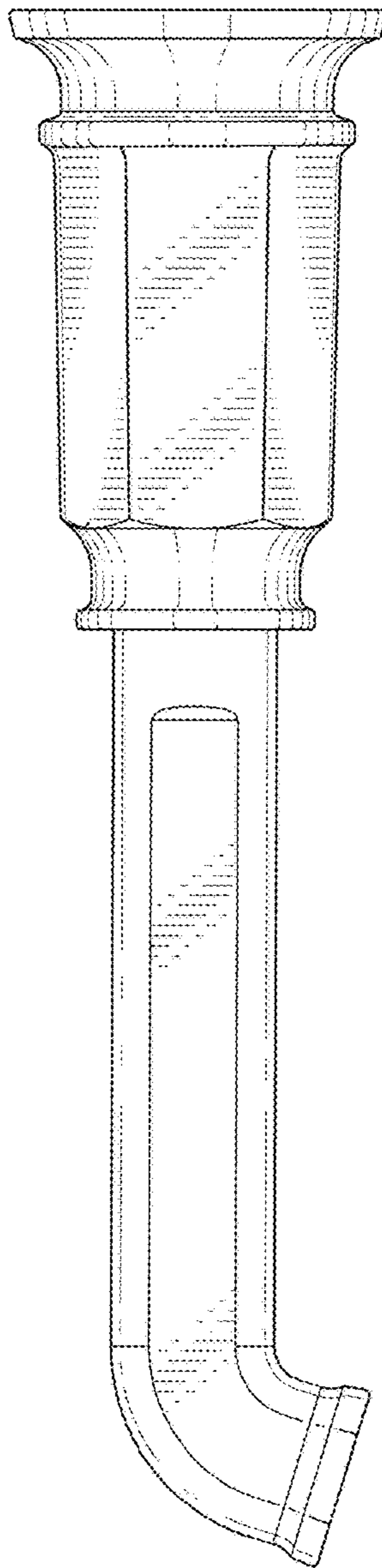


Fig-6

