

US00D867546S

(12) **United States Design Patent** (10) **Patent No.:** **US D867,546 S**
Kaule et al. (45) **Date of Patent:** **** Nov. 19, 2019**

- (54) **FAUCET**
- (71) Applicant: **Kohler Co.**, Kohler, WI (US)
- (72) Inventors: **Brian M. Kaule**, Yardley, PA (US);
Anna-Pia K. Slothower, Mill Valley, CA (US)
- (73) Assignee: **KOHLER CO.**, Kohler, WI (US)
- (**) Term: **15 Years**
- (21) Appl. No.: **29/645,865**
- (22) Filed: **Apr. 30, 2018**

D373,174 S	8/1996	Valley	
D409,292 S *	5/1999	Hyde	D23/255
D420,726 S	2/2000	Slothower	
D442,676 S *	5/2001	Dretzka	D23/255
D465,010 S *	10/2002	Lord	D23/238
D474,258 S	5/2003	Chen	
D475,120 S	5/2003	Ouyoung	
D479,309 S	9/2003	Haug	
6,738,996 B1	5/2004	Malek	
D513,526 S	1/2006	Marshall	
D520,114 S	5/2006	Starck	
D532,486 S	11/2006	Barry	
D541,384 S	4/2007	Citterio	
7,380,731 B1	6/2008	Hsu	
D574,463 S	8/2008	Soriano	
D605,260 S	12/2009	Allard	
D651,284 S	12/2011	Flowers	

(Continued)

Related U.S. Application Data

- (62) Division of application No. 29/610,567, filed on Jul. 13, 2017, now Pat. No. Des. 819,786, which is a division of application No. 29/588,369, filed on Dec. 20, 2016, now Pat. No. Des. 795,396, which is a division of application No. 29/540,213, filed on Sep. 22, 2015, now Pat. No. Des. 786,404.

- (51) **LOC (12) Cl.** **23-01**
- (52) **U.S. Cl.**

- USPC **D23/255**
- (58) **Field of Classification Search**
- USPC D23/238–243, 249, 255, 257, 213, 223, D23/226
- CPC A47K 3/28; A47L 17/00; E03C 1/0401; E03C 1/0404; E03C 1/057; E03C 1/0409; E03C 1/05; Y10T 29/49826; G05D 7/0629; F16K 19/006
- See application file for complete search history.

- (56) **References Cited**

U.S. PATENT DOCUMENTS

2,971,520 A	2/1961	Motis et al.	
D291,415 S	8/1987	Abplanalp	
D350,390 S *	9/1994	Bollenbacher	D23/255

Primary Examiner — Robert A Delehanty

(74) *Attorney, Agent, or Firm* — Foley & Lardner LLP

(57) **CLAIM**

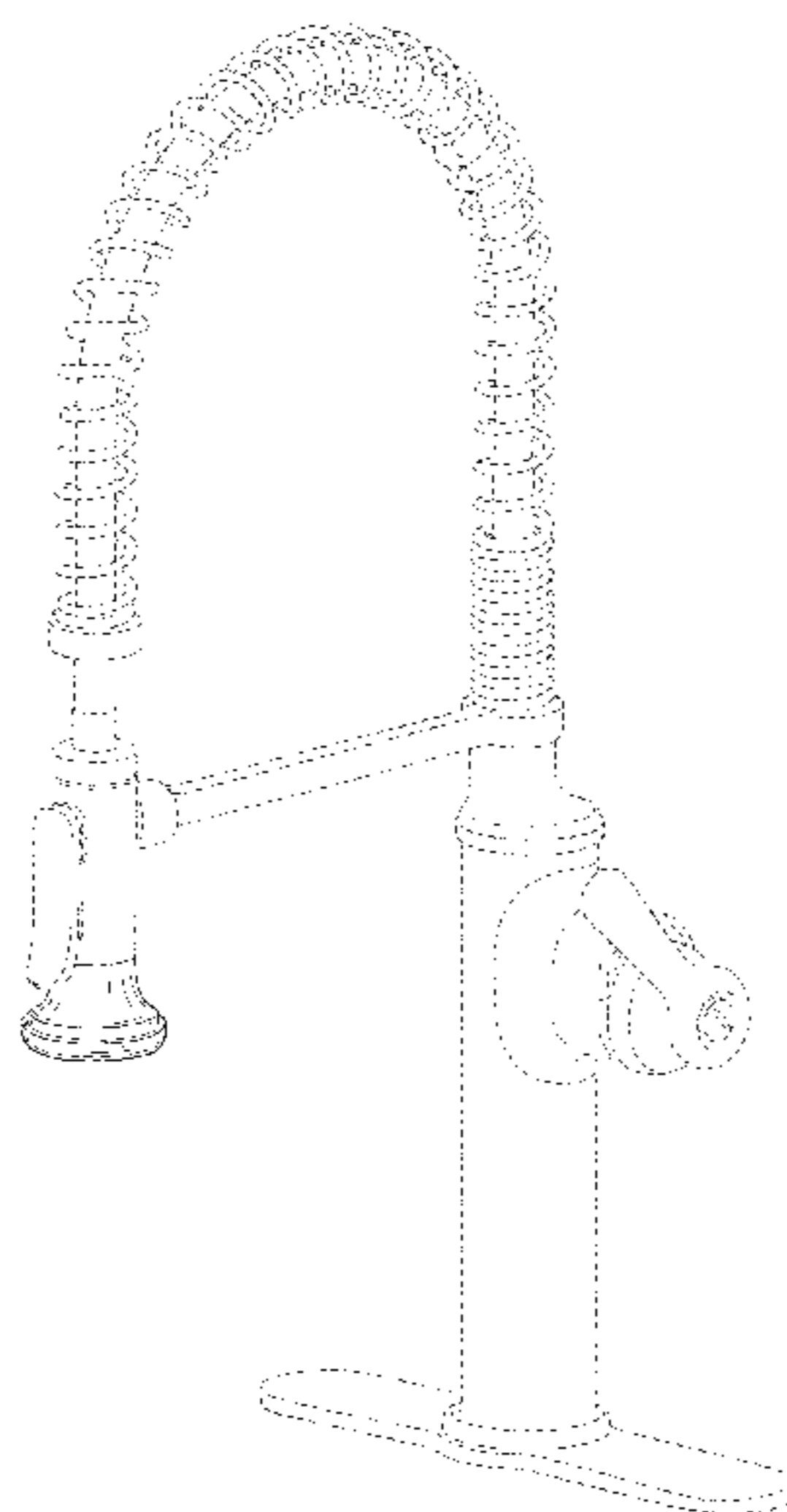
We claim the ornamental design for a faucet, as shown and described.

DESCRIPTION

FIG. 1 is a top, front, right perspective view of an embodiment of the claimed design;
 FIG. 2 is a front elevation view thereof;
 FIG. 3 is a rear elevation view thereof;
 FIG. 4 is a right side elevation view thereof;
 FIG. 5 is a left side elevation view thereof;
 FIG. 6 is a top plan view thereof; and,
 FIG. 7 is a bottom plan view thereof.

The ornamental design which is claimed is shown in solid lines in the drawings. The broken lines in the drawings form no part of the claimed design. Broken lines formed by equal length dashes show unclaimed subject matter. Broken lines formed by unequal length dashes (i.e., dash-dot) define bounds of the claimed design.

1 Claim, 7 Drawing Sheets



(56)

References Cited

U.S. PATENT DOCUMENTS

D655,698 S	3/2012	Boiso
D698,903 S	2/2014	Gilbert
D704,803 S	5/2014	Hashimoto
D721,164 S	1/2015	Georgeson
D758,553 S	6/2016	Rexach
D767,726 S	9/2016	Mazz
D786,404 S	5/2017	Kaule
D786,409 S	5/2017	Rexach
2004/0112985 A1	6/2004	Malek

* cited by examiner

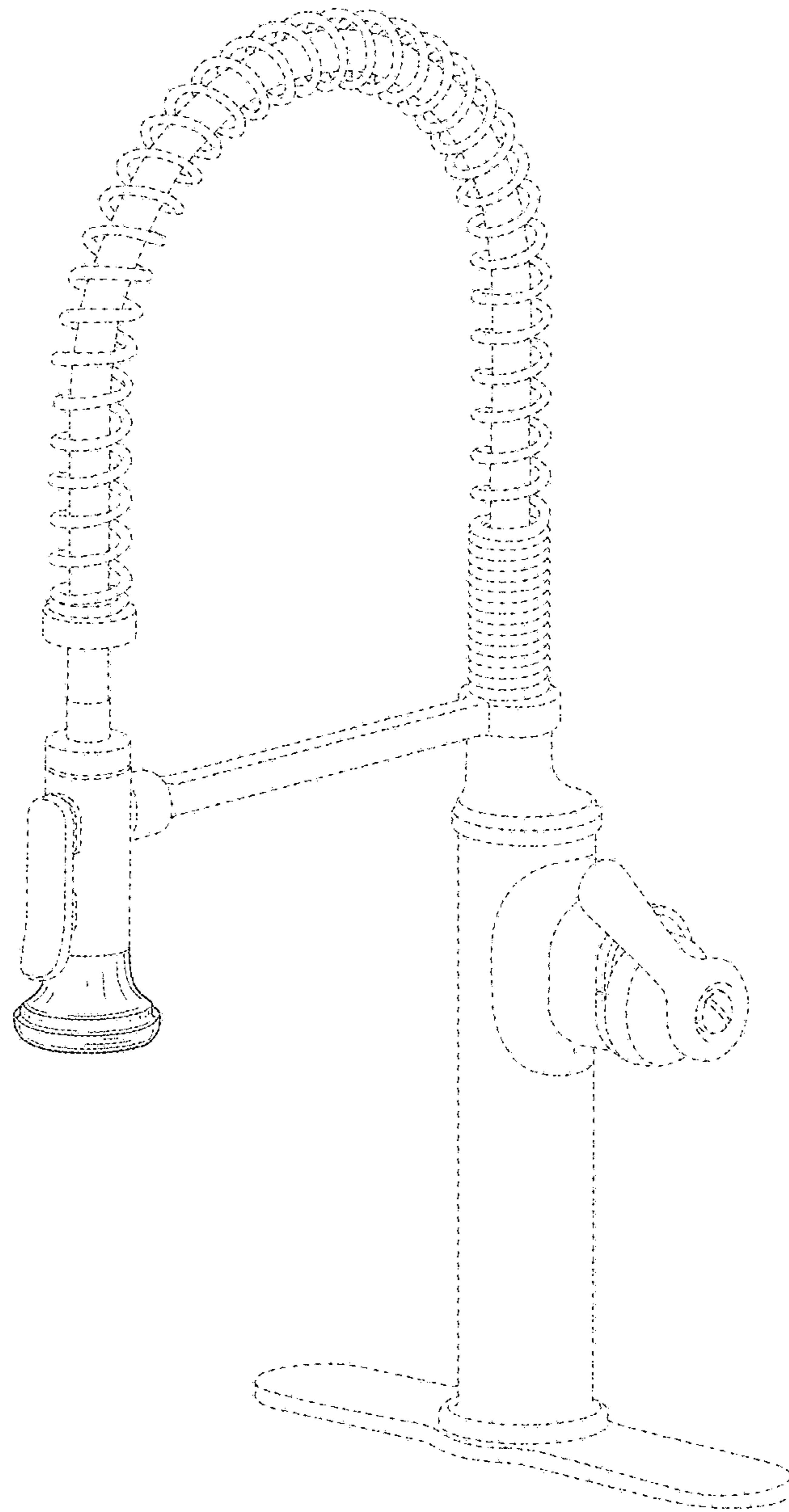


FIG. 1

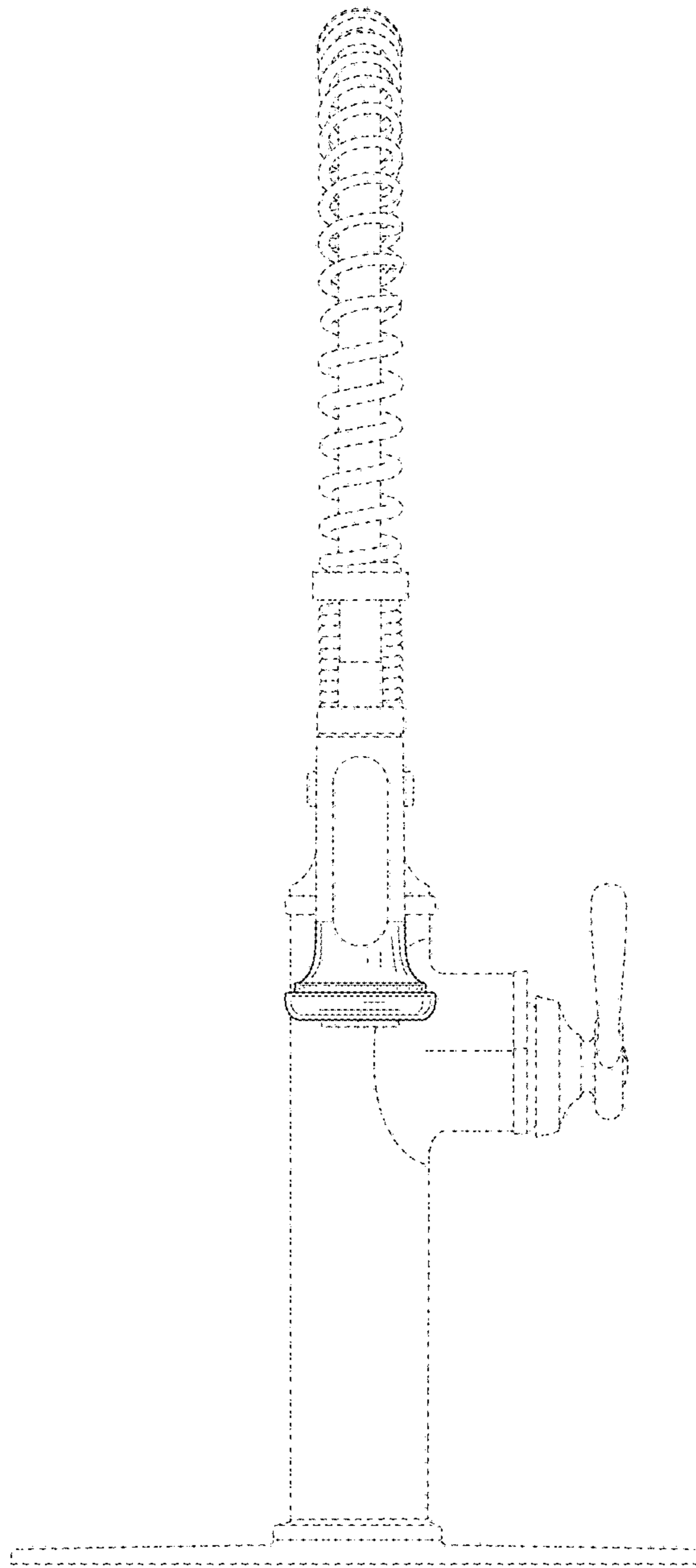
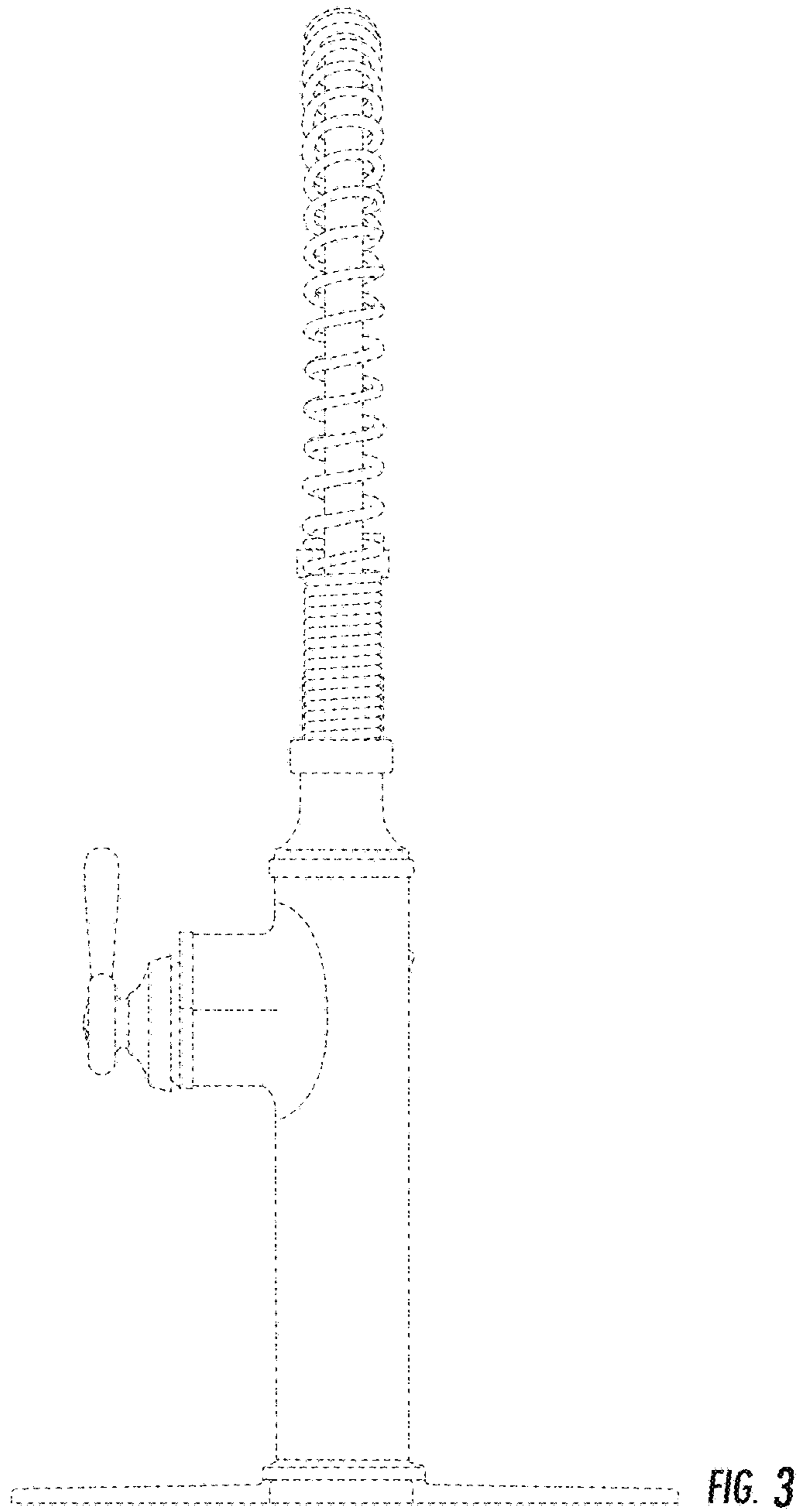


FIG. 2



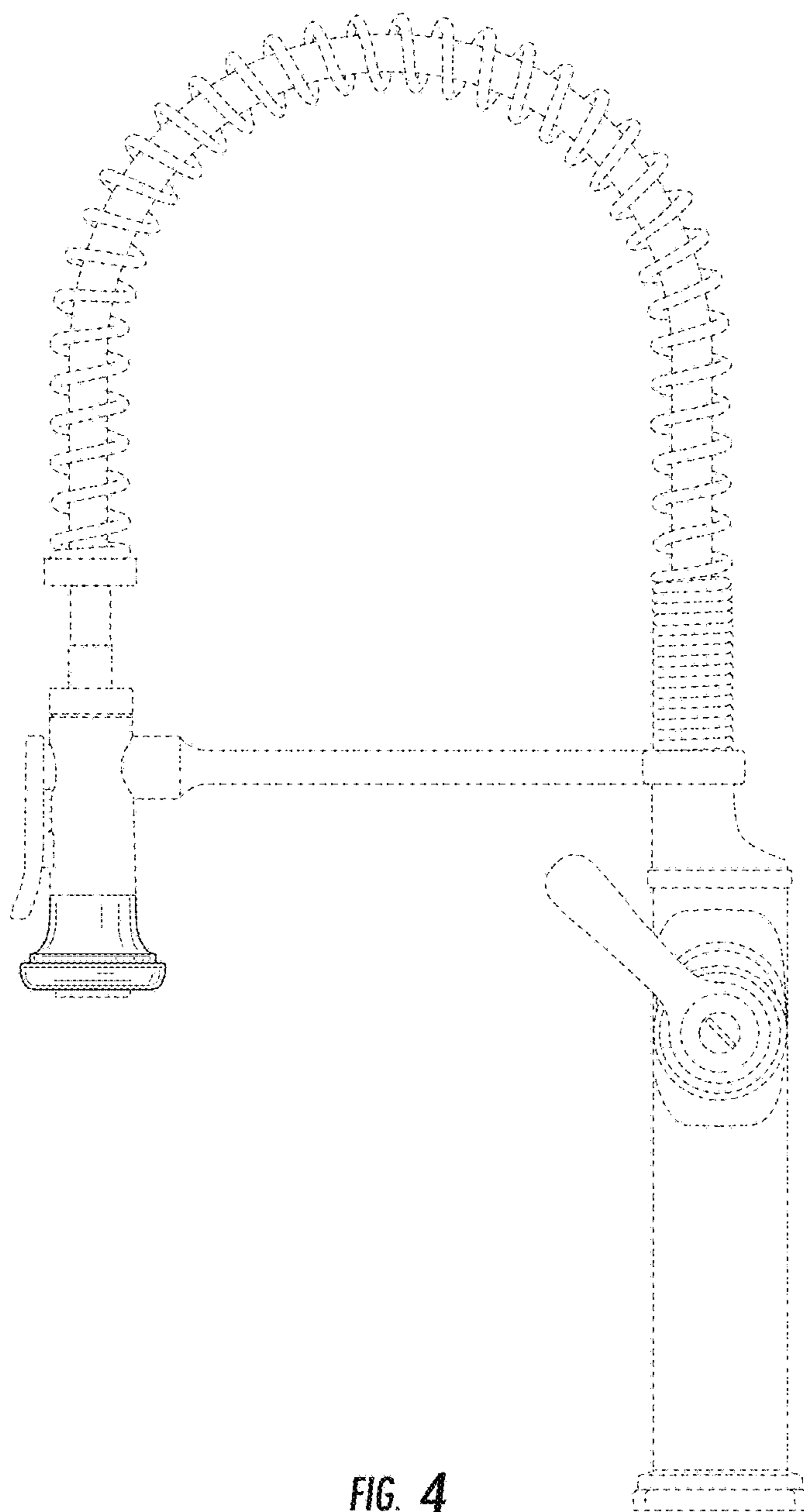


FIG. 4

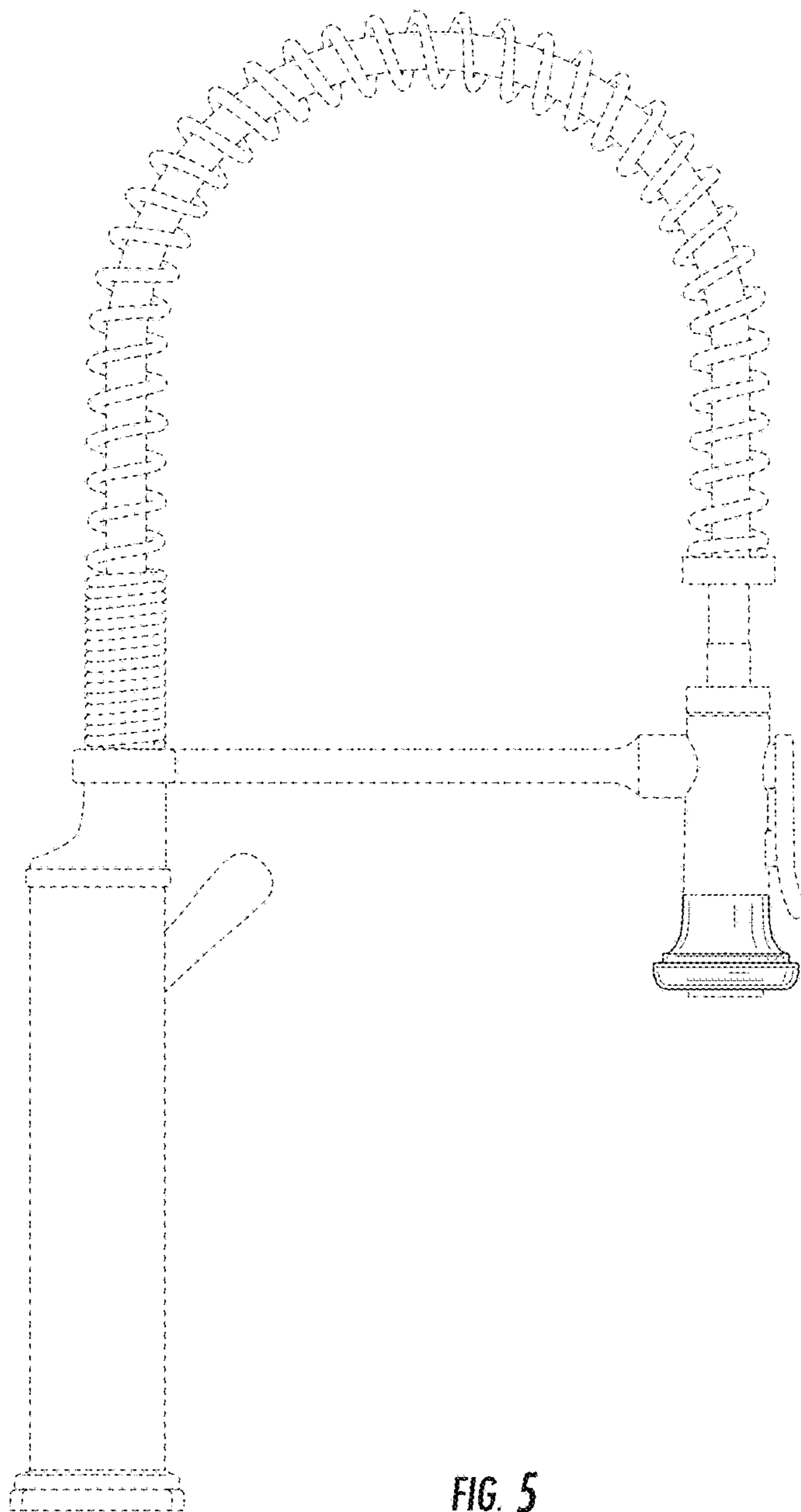


FIG. 5

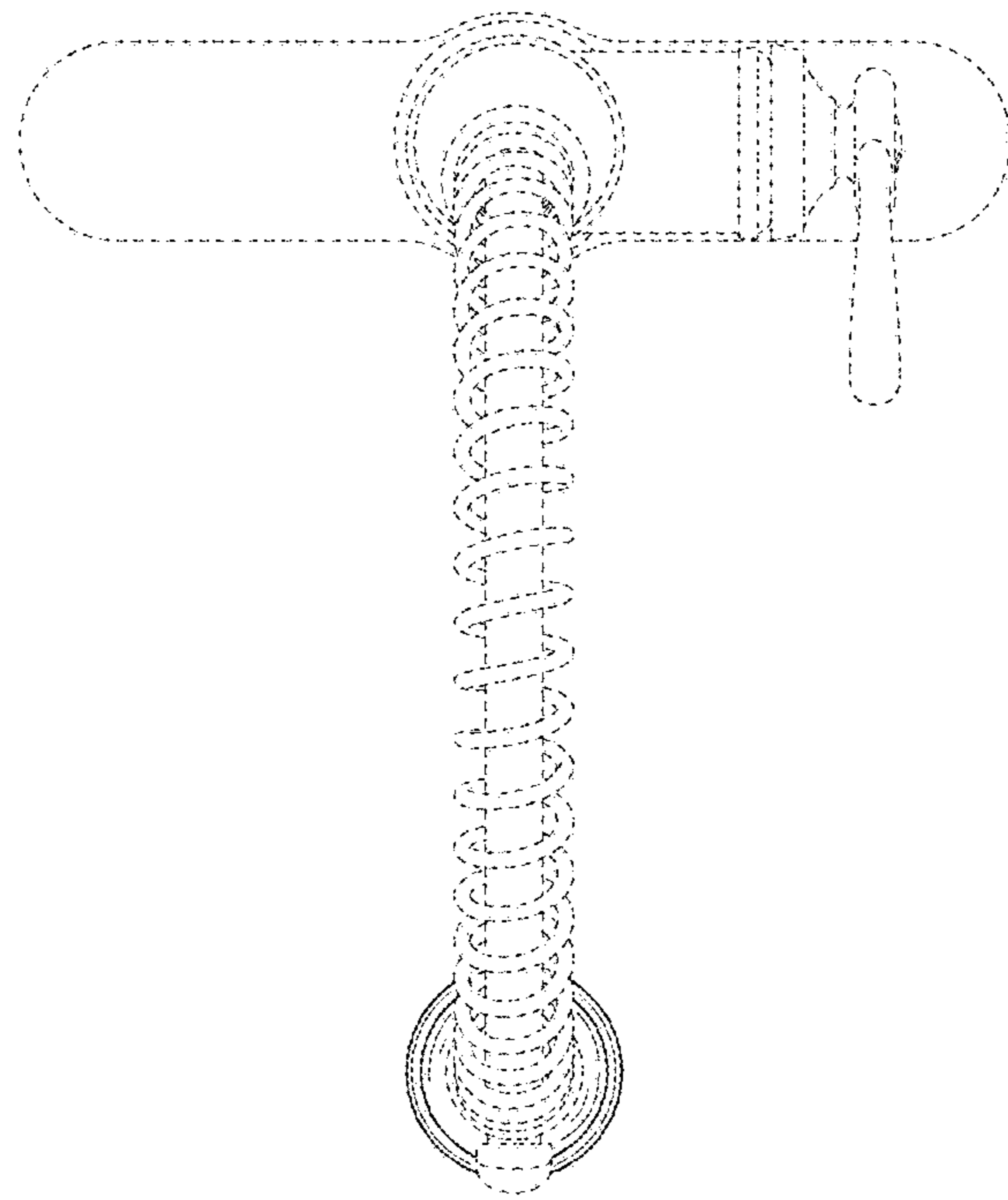


FIG. 6

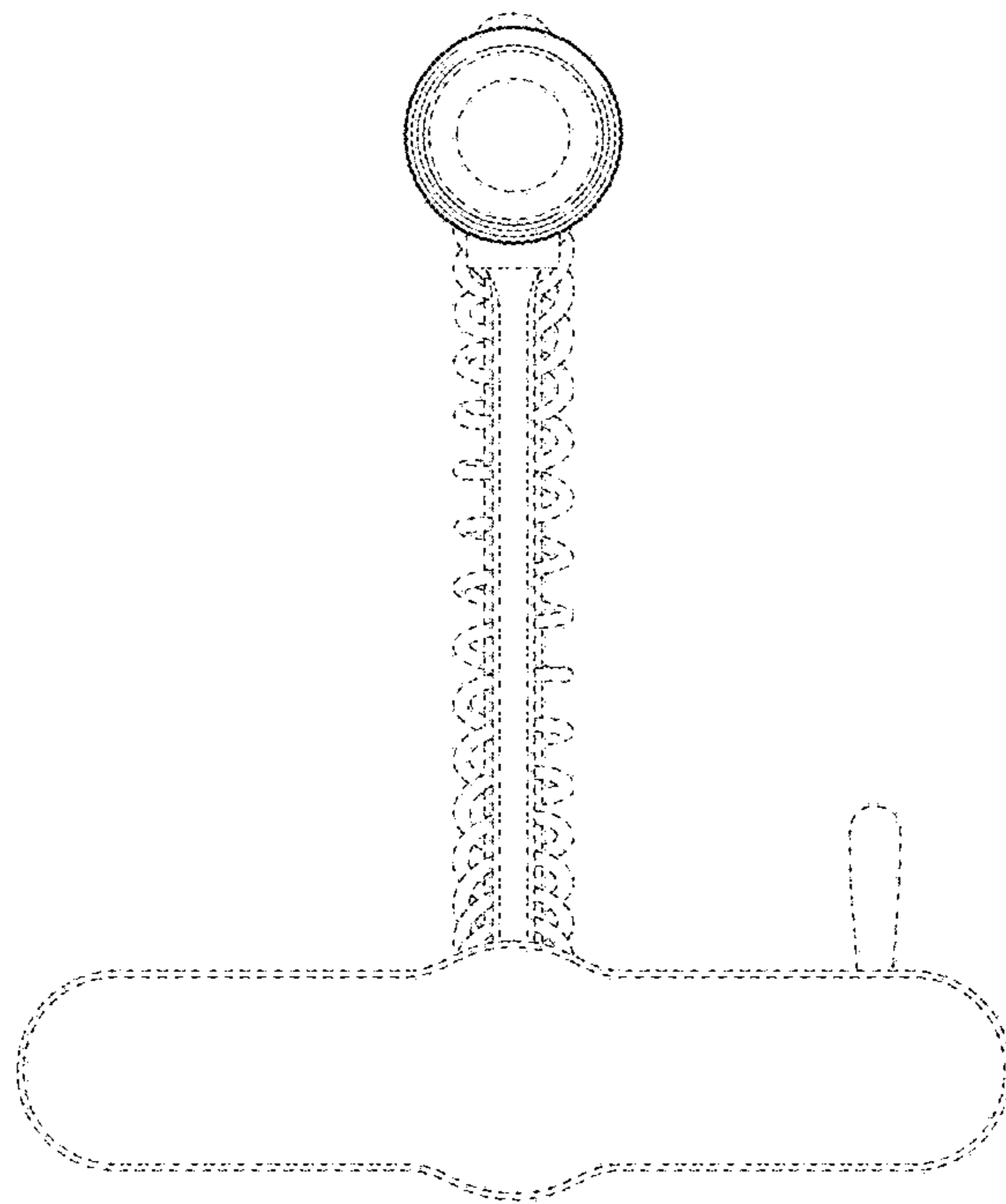


FIG. 7