



US00D867545S

(12) **United States Design Patent**
Chung

(10) **Patent No.:** **US D867,545 S**

(45) **Date of Patent:** **** Nov. 19, 2019**

(54) **FAUCET HOUSING SEAT**

D523,115 S * 6/2006 Chung D23/241

D564,632 S * 3/2008 Hwang D23/249

7,387,137 B2 * 6/2008 Chung E03C 1/0404

137/615

D794,758 S * 8/2017 Block D23/249

(71) Applicant: **Greatness Sanitary Industrial Co., Ltd**, Changhua County (TW)

(72) Inventor: **Chiu-Chih Chung**, Changhua County (TW)

* cited by examiner

(73) Assignee: **Greatness Sanitary Industrial Co., Ltd**, Changhua County (TW)

Primary Examiner — Robert A Delehanty

(74) *Attorney, Agent, or Firm* — Jackson IPG PLLC; Demian K. Jackson

(**) Term: **15 Years**

(21) Appl. No.: **29/632,578**

(57) **CLAIM**

The ornamental design for a faucet housing seat, as shown.

(22) Filed: **Jan. 9, 2018**

(51) **LOC (12) Cl.** **23-01**

(52) **U.S. Cl.**

USPC **D23/249**

(58) **Field of Classification Search**

USPC D23/238, 241–243, 249

CPC Y10T 137/9464; E03C 1/04; E03C 1/02;

E03C 1/0404; E03C 1/042; E03C 1/0414

See application file for complete search history.

DESCRIPTION

FIG. 1 is a front view of a faucet housing seat showing my new design;

FIG. 2 is a rear view thereof;

FIG. 3 is a left view thereof;

FIG. 4 is a right view thereof;

FIG. 5 is a top view thereof;

FIG. 6 is a bottom view thereof; and,

FIG. 7 is a perspective view thereof.

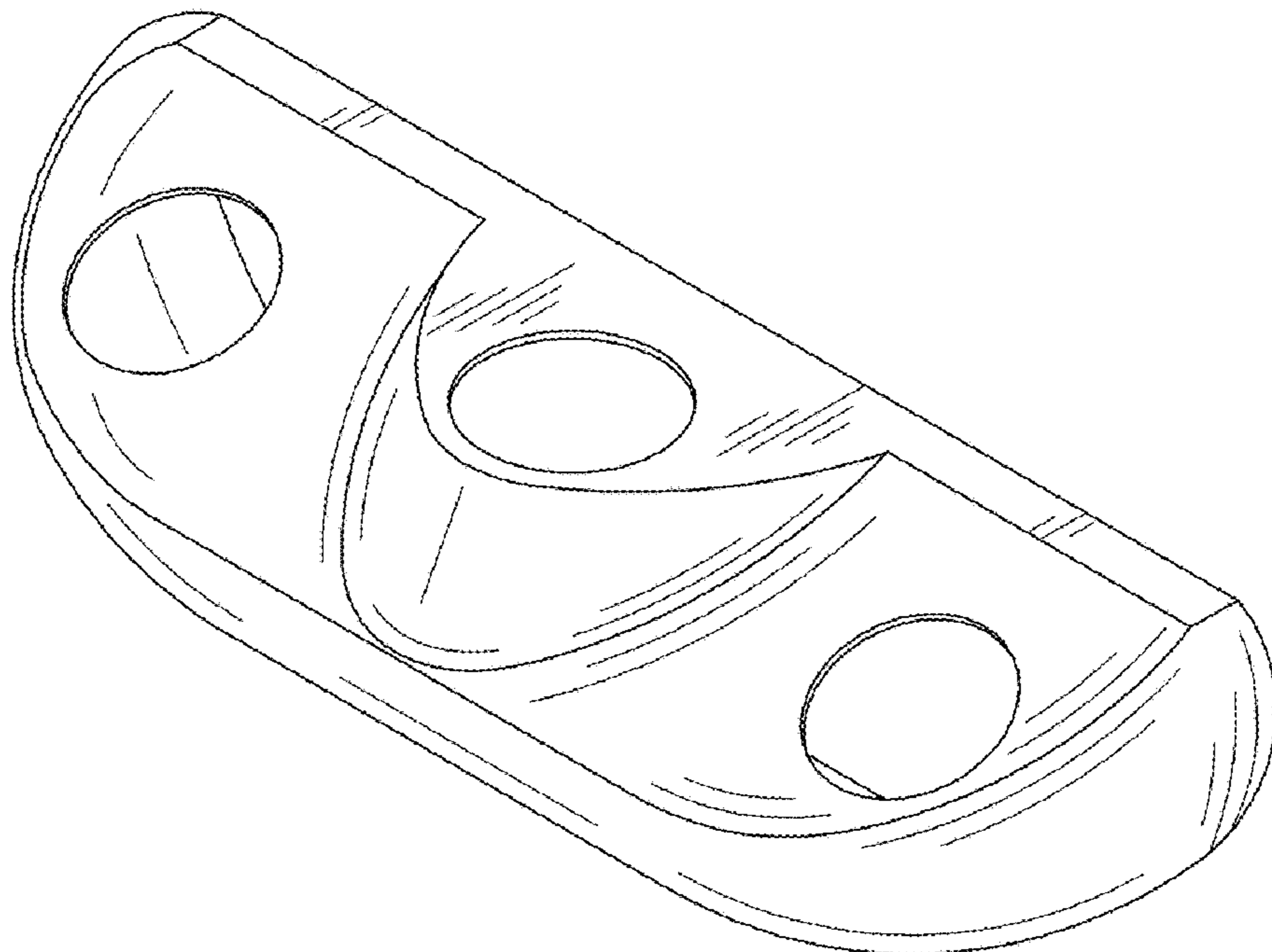
(56) **References Cited**

U.S. PATENT DOCUMENTS

D374,709 S * 10/1996 Doughty D23/241

D473,288 S * 4/2003 Lord D23/249

1 Claim, 7 Drawing Sheets



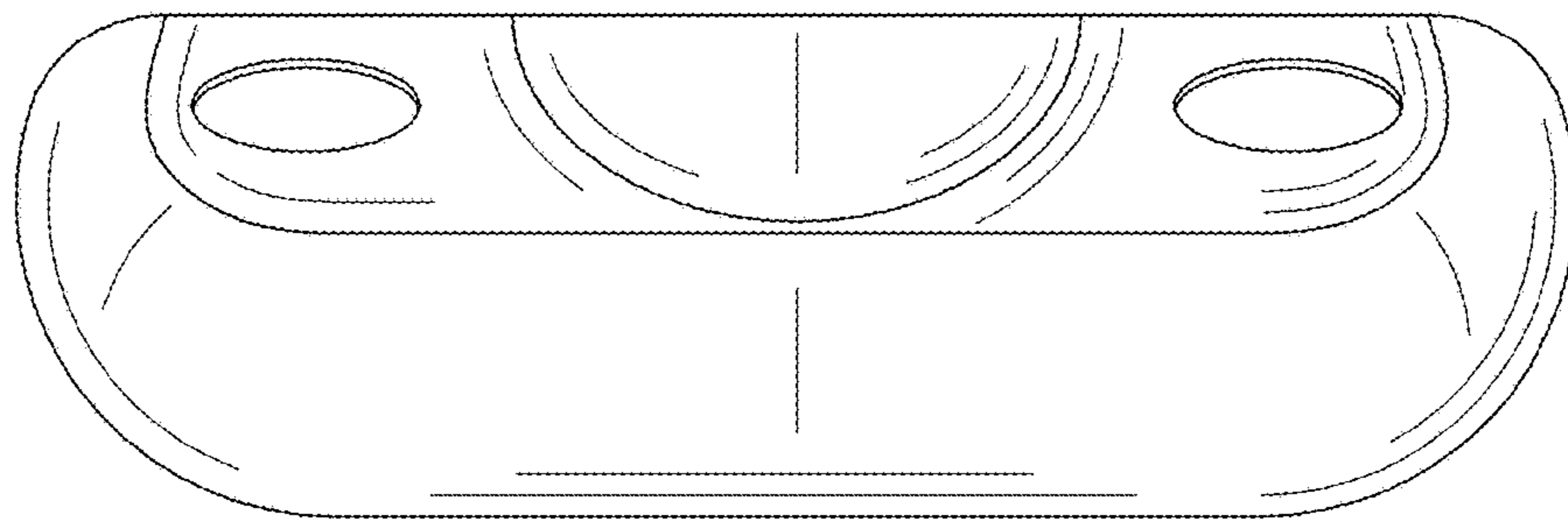


FIG. 1

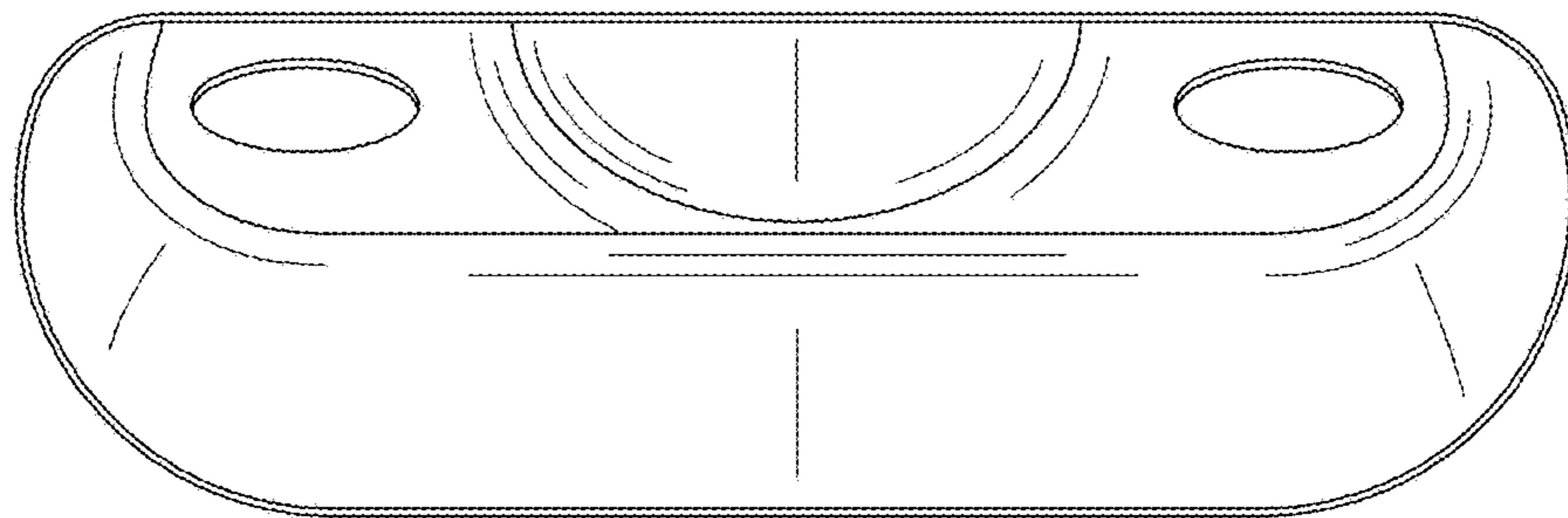


FIG. 2

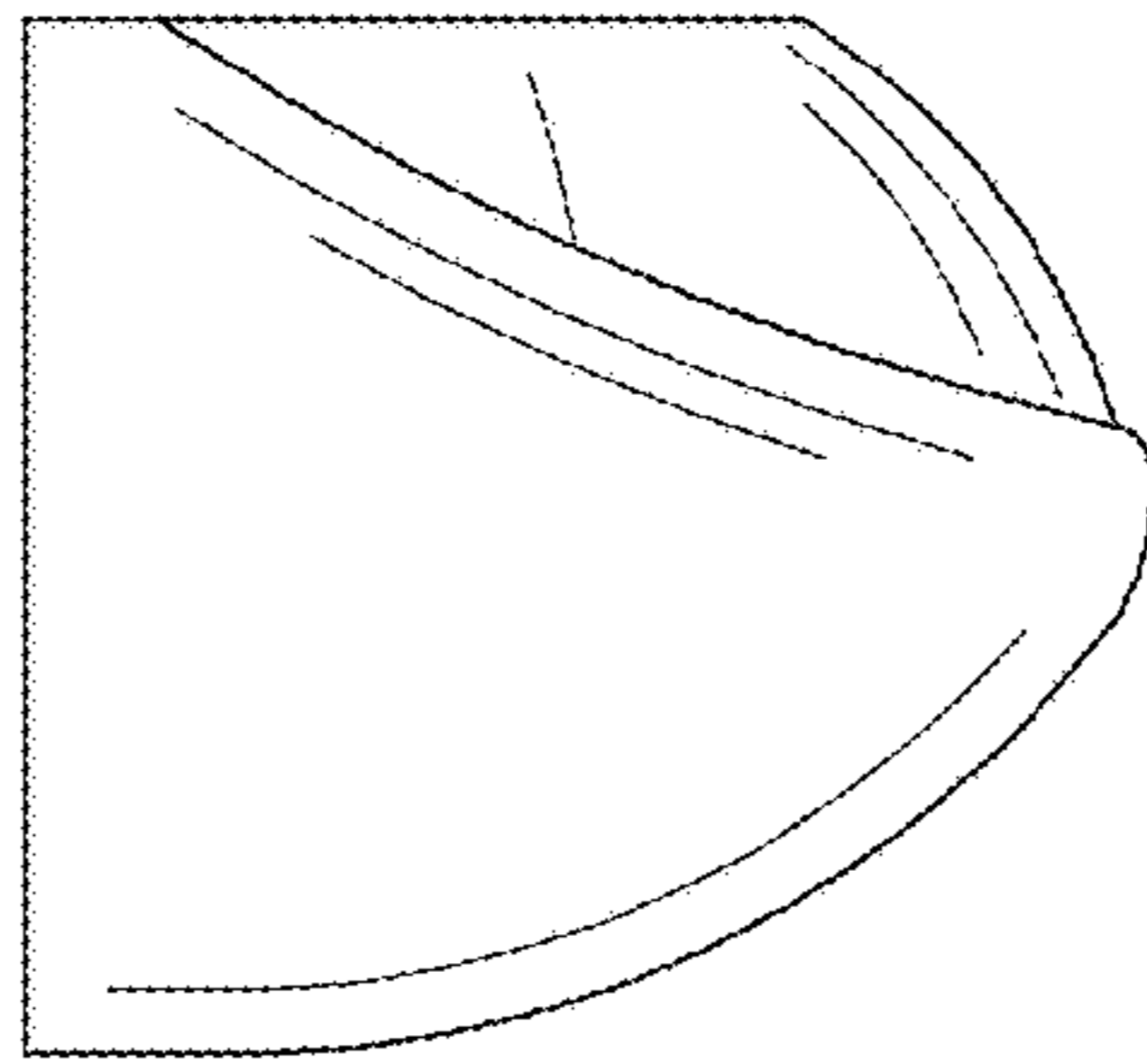


FIG. 3

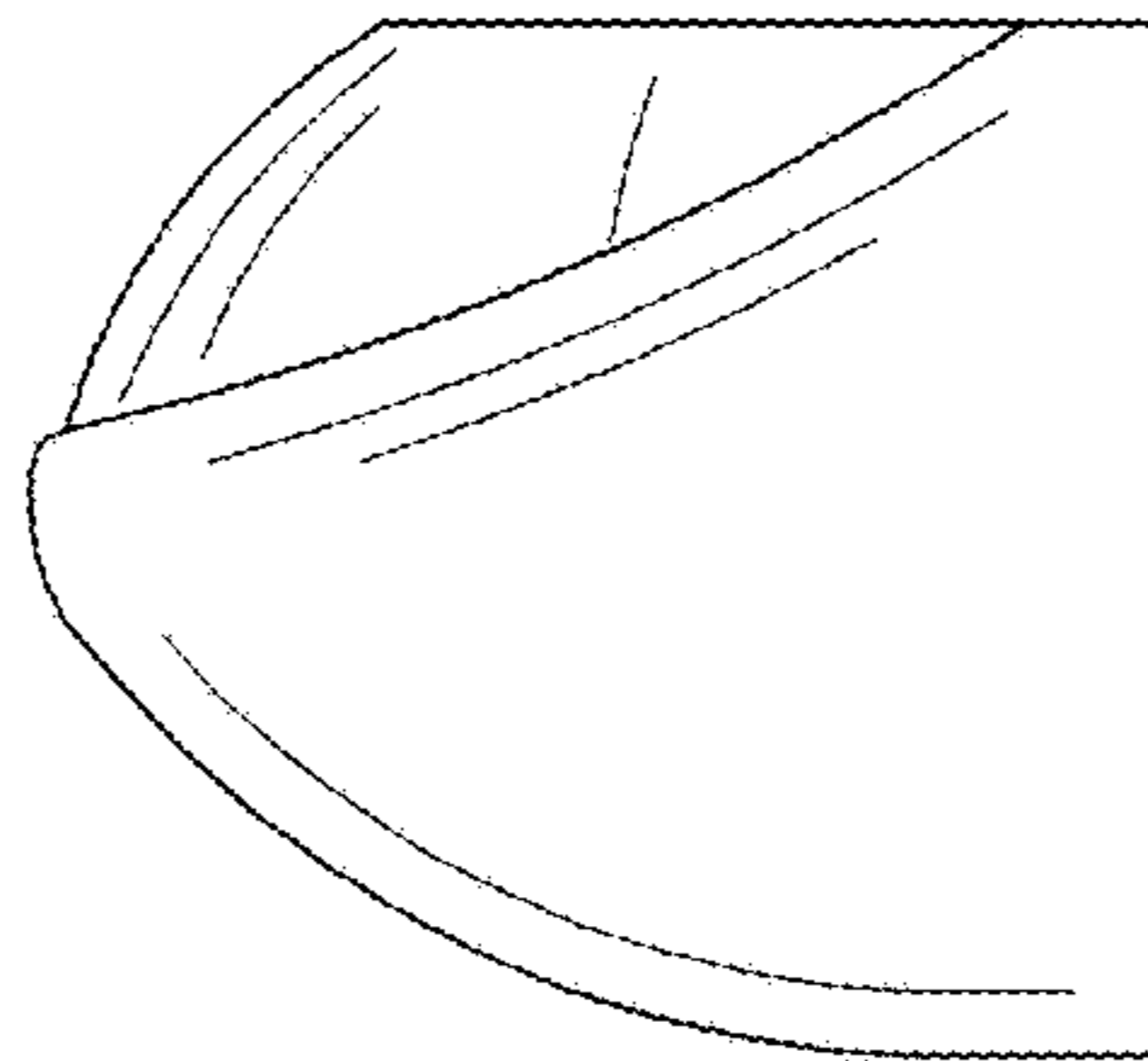


FIG. 4

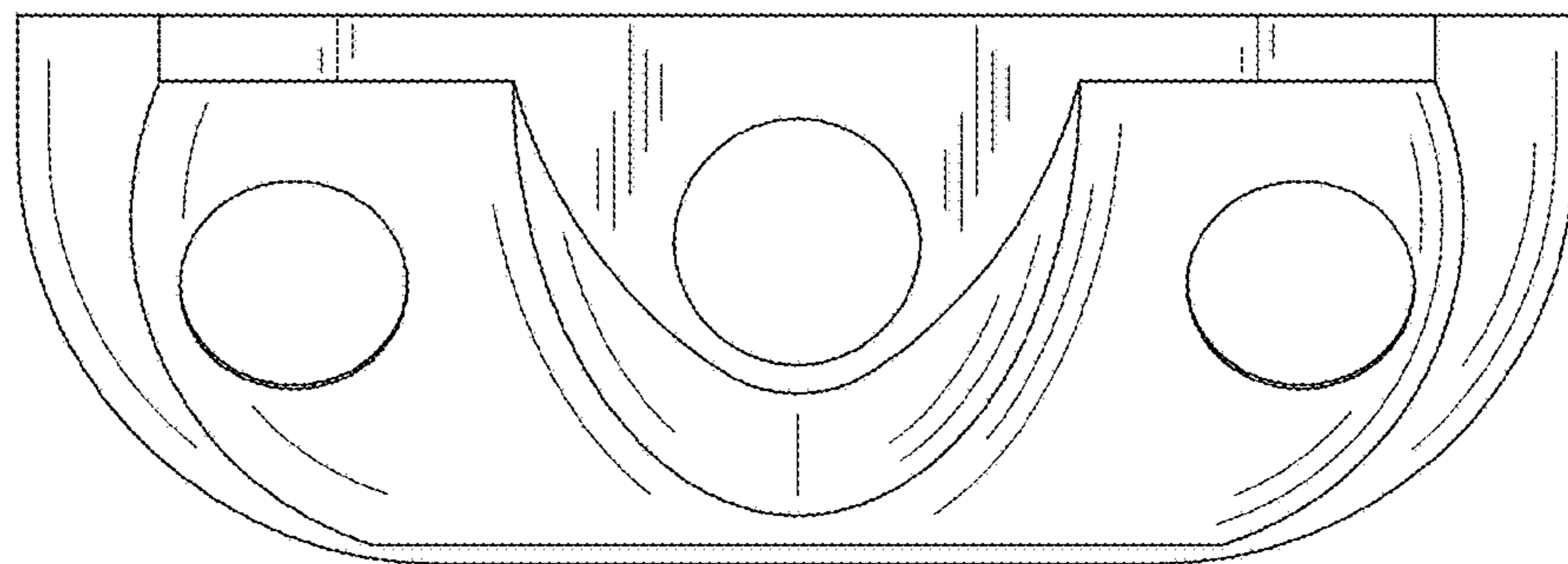


FIG. 5

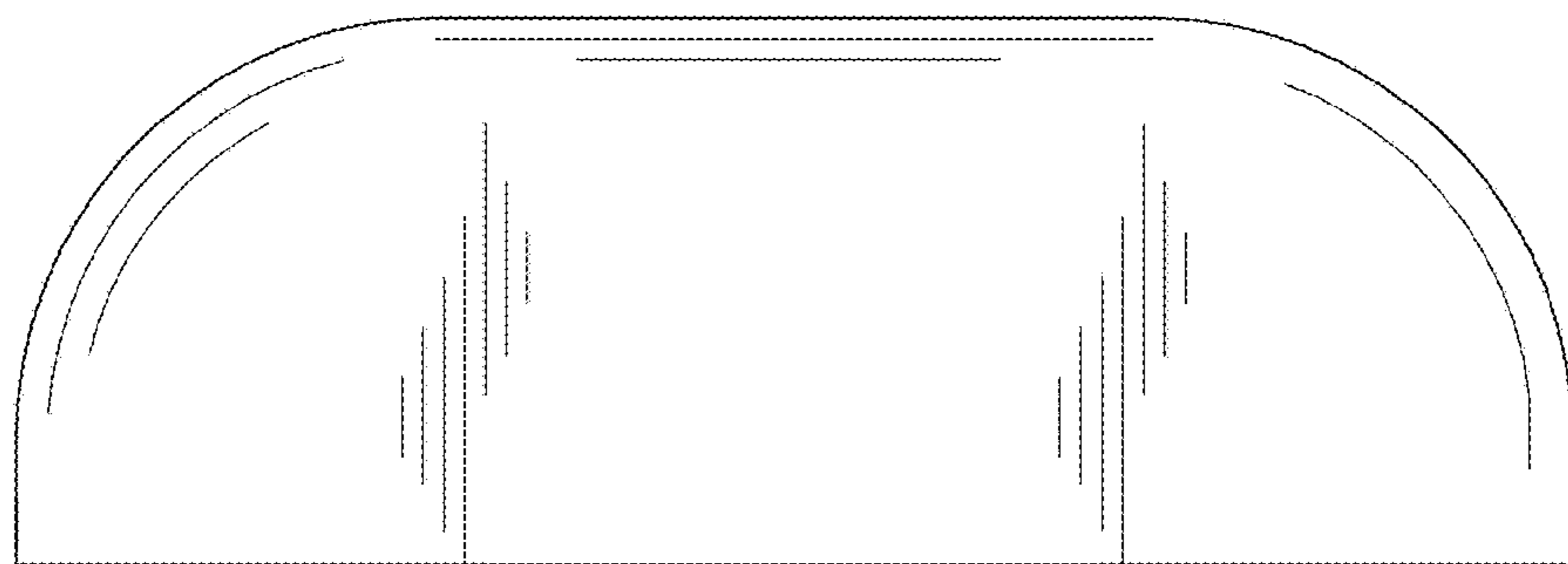


FIG. 6

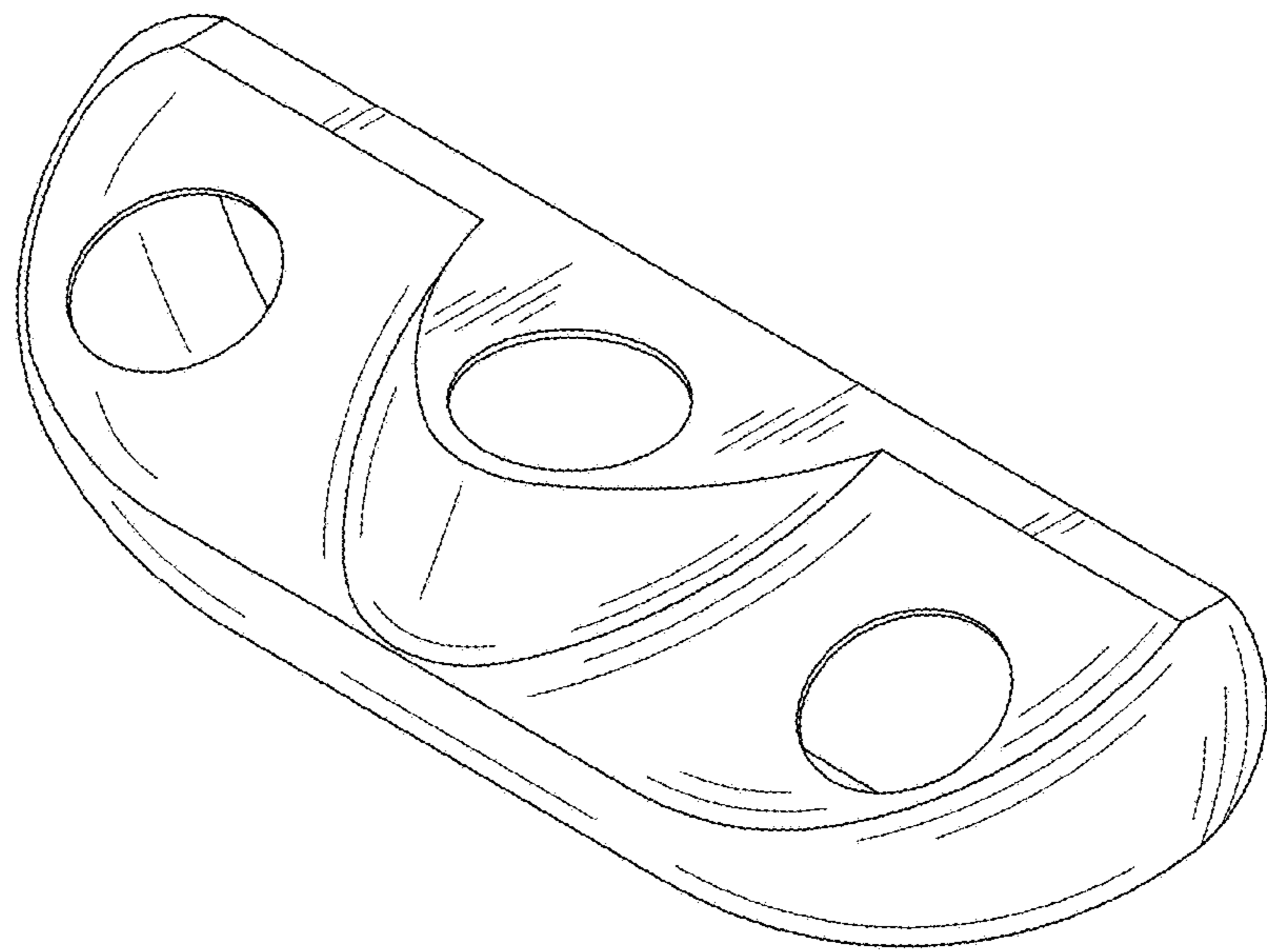


FIG. 7