



US00D867544S

(12) **United States Design Patent**
Guido

(10) **Patent No.:** **US D867,544 S**

(45) **Date of Patent:** **** Nov. 19, 2019**

(54) **FLUID DISTRIBUTION EQUIPMENT**

(71) Applicant: **R.B.M. S.P.A.**, S. Giovanni di Polaveno (IT)

(72) Inventor: **Bossini Guido**, Brescia (IT)

(73) Assignee: **RBM IBOX S.R.L.**, Nave (BS) (IT)

(**) Term: **15 Years**

(21) Appl. No.: **35/505,798**

(22) Filed: **Jun. 19, 2018**

(80) **Hague Agreement Data**

Int. Filing Date: **Jun. 19, 2018**

Int. Reg. No.: **DM/102903**

Int. Reg. Date: **Jun. 19, 2018**

Int. Reg. Pub. Date: **Oct. 5, 2018**

(30) **Foreign Application Priority Data**

Dec. 20, 2017 (EM) 004558575-001

Dec. 20, 2017 (EM) 004558575-002

Dec. 20, 2017 (EM) 004558575-003

Dec. 20, 2017 (EM) 004558575-004

(51) **LOC (12) Cl.** **23-01**

(52) **U.S. Cl.**
USPC **D23/245**

(58) **Field of Classification Search**

USPC D23/245, 233, 252, 387, 354, 386

CPC F16L 2201/60; F16L 55/11; F16L 55/124;

F16L 55/128; F16L 55/1651; F16L

55/179; F16L 55/265

See application file for complete search history.

(56) **References Cited**

U.S. PATENT DOCUMENTS

D234,200 S * 1/1975 Buechler D23/245

D422,680 S * 4/2000 Guo D23/213

(Continued)

Primary Examiner — Khawaja Anwar

(74) *Attorney, Agent, or Firm* — Workman Nydegger

(57) **CLAIM**

The ornamental design for fluid distribution equipment, as shown and described.

DESCRIPTION

1.-4. Fluid distribution equipment

FIG. 1.1 is a front elevation view of a fluid distribution equipment, showing my new design;

FIG. 1.2 is top plan view thereof;

FIG. 1.3 is a side elevation view thereof;

FIG. 1.4 is a perspective view thereof;

FIG. 1.5 is a another perspective view thereof;

FIG. 1.6 is another perspective view thereof;

FIG. 1.7 is a rear elevation view thereof;

FIG. 2.1 is a rear elevation view of a second embodiment of a fluid distribution equipment, showing my new design;

FIG. 2.2 is front elevation view thereof;

FIG. 2.3 is a top plan view thereof;

FIG. 2.4 is a side elevation view thereof;

FIG. 2.5 is a perspective view thereof;

FIG. 2.6 is another perspective view thereof;

FIG. 2.7 is another perspective view thereof;

FIG. 3.1 is a rear elevation view of a third embodiment of a fluid distribution equipment, showing my new design;

FIG. 3.2 is top plan view thereof;

FIG. 3.3 is a front elevation view thereof;

FIG. 3.4 is a side elevation view thereof;

FIG. 3.5 is a perspective view thereof;

FIG. 3.6 is another perspective view thereof;

FIG. 3.7 is another perspective view thereof;

FIG. 4.1 is a side elevation view of a fourth embodiment of a fluid distribution equipment, showing my new design;

FIG. 4.2 is rear elevation view thereof;

FIG. 4.3 is a front elevation view thereof;

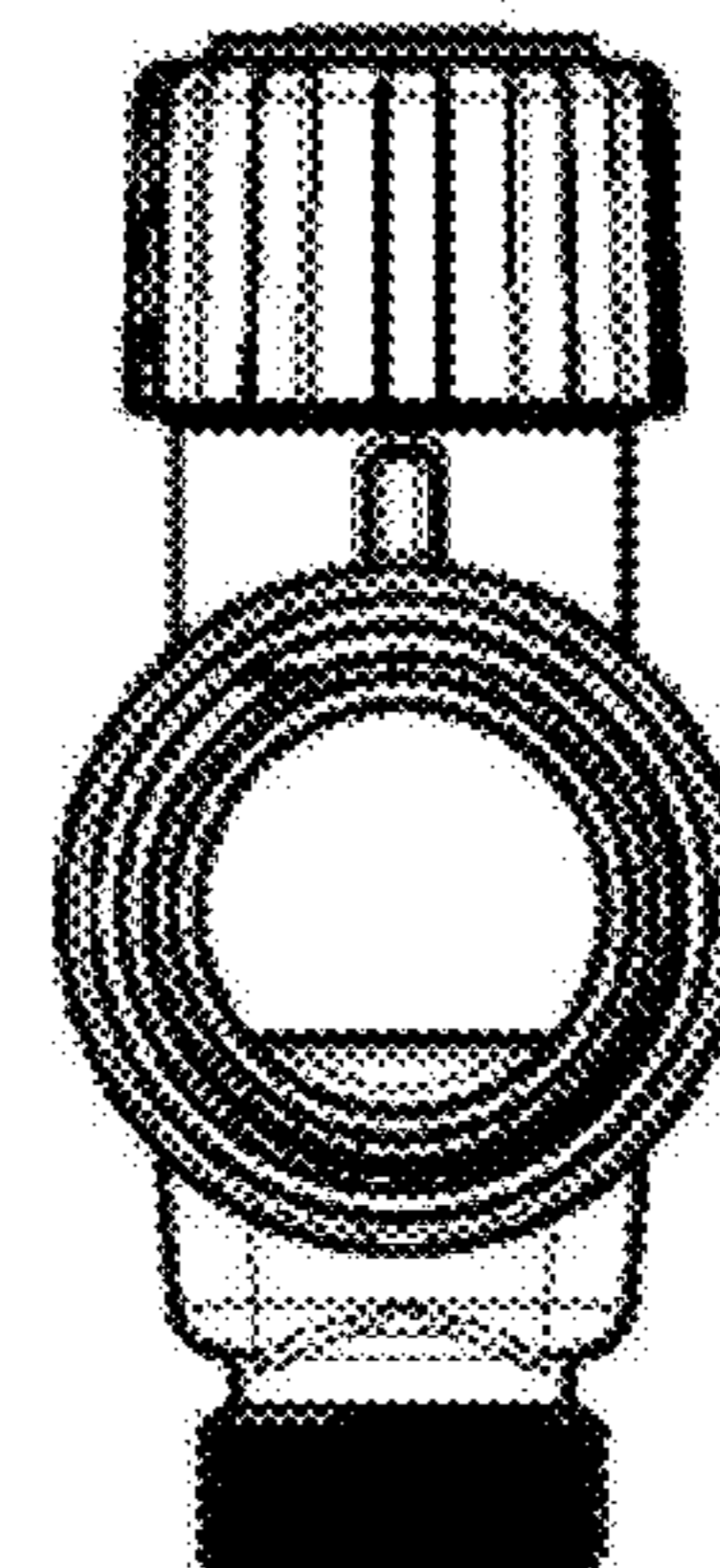
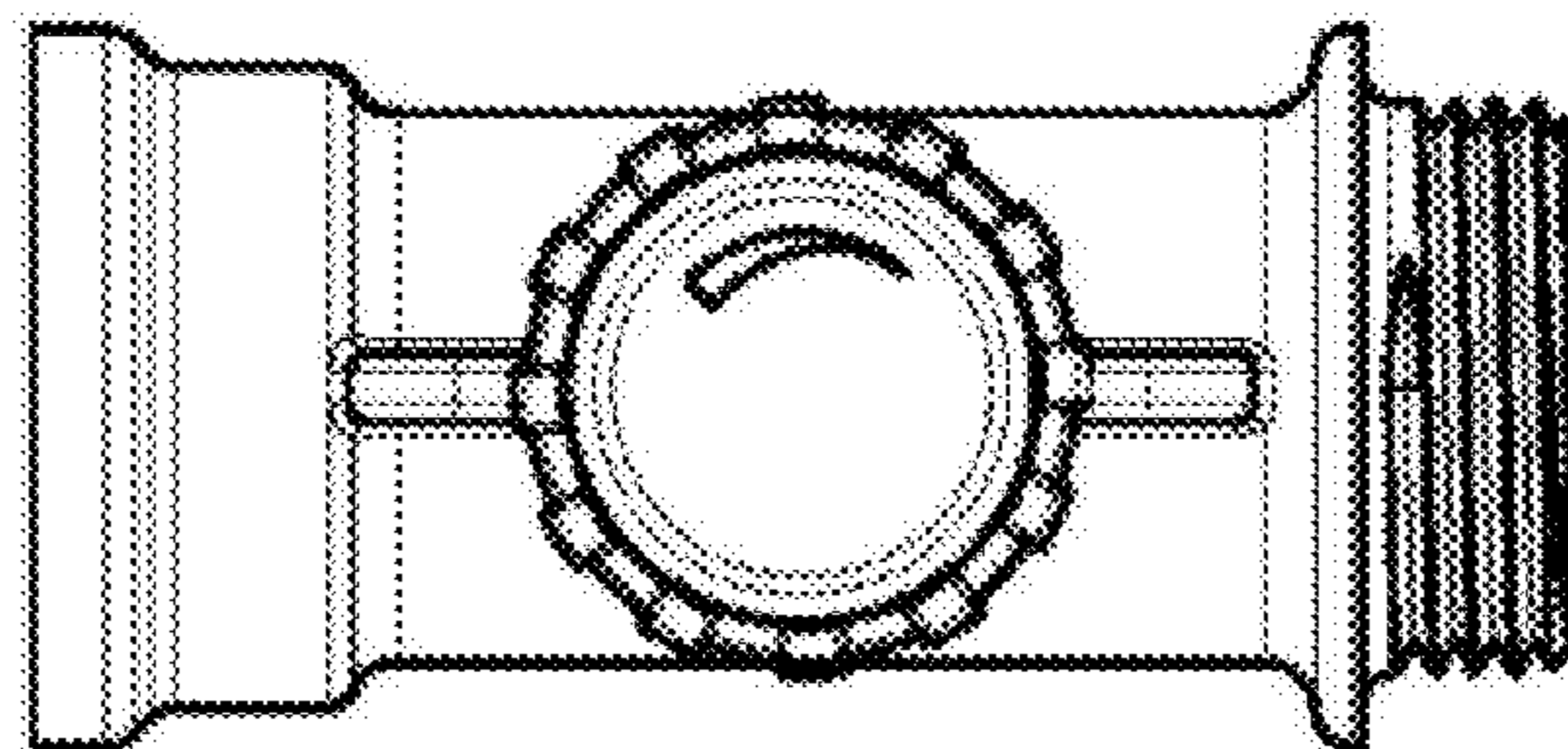
FIG. 4.4 is a top plan view thereof;

FIG. 4.5 is a perspective view thereof;

FIG. 4.6 is another perspective view thereof; and

FIG. 4.7 is another perspective view thereof.

1 Claim, 28 Drawing Sheets



(56)

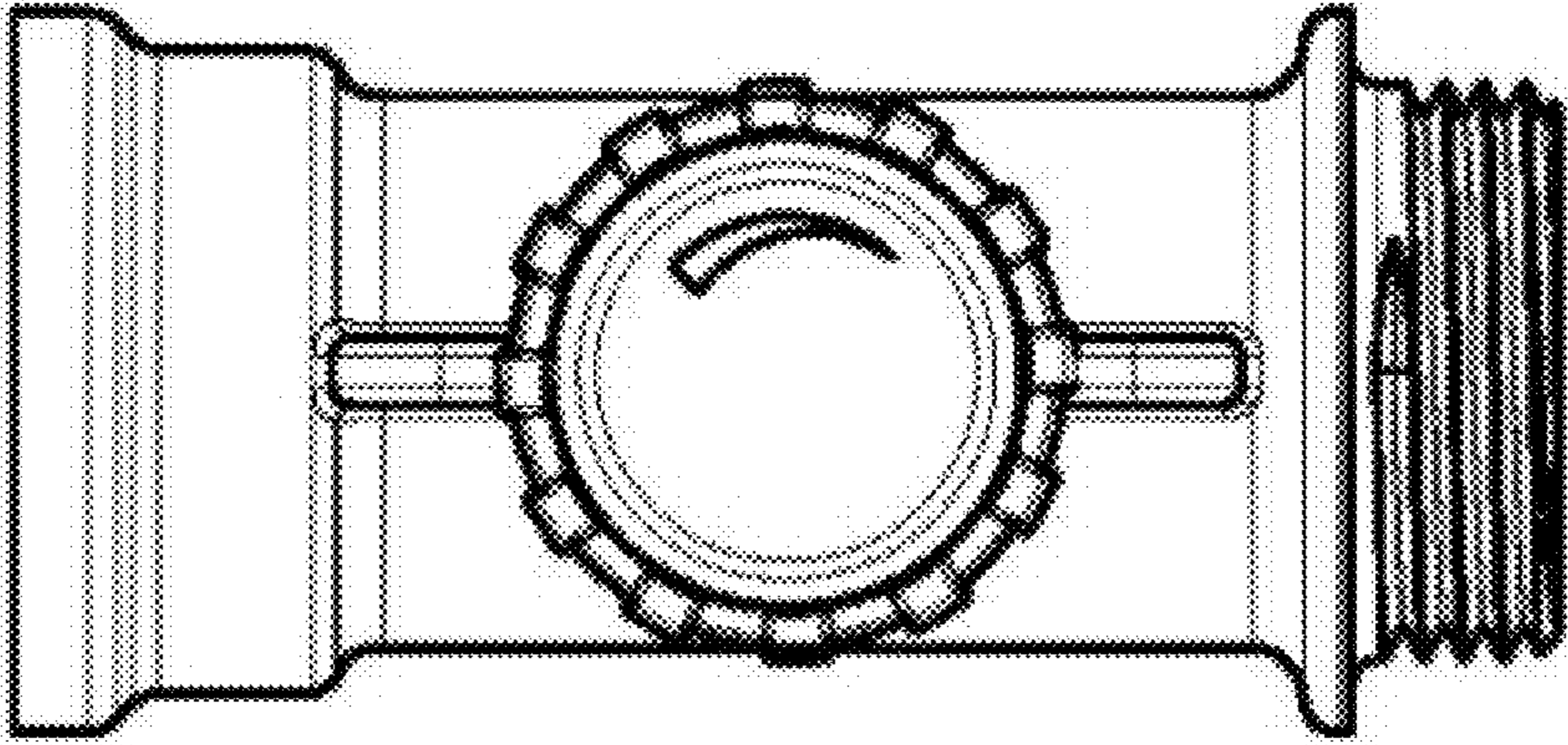
References Cited

U.S. PATENT DOCUMENTS

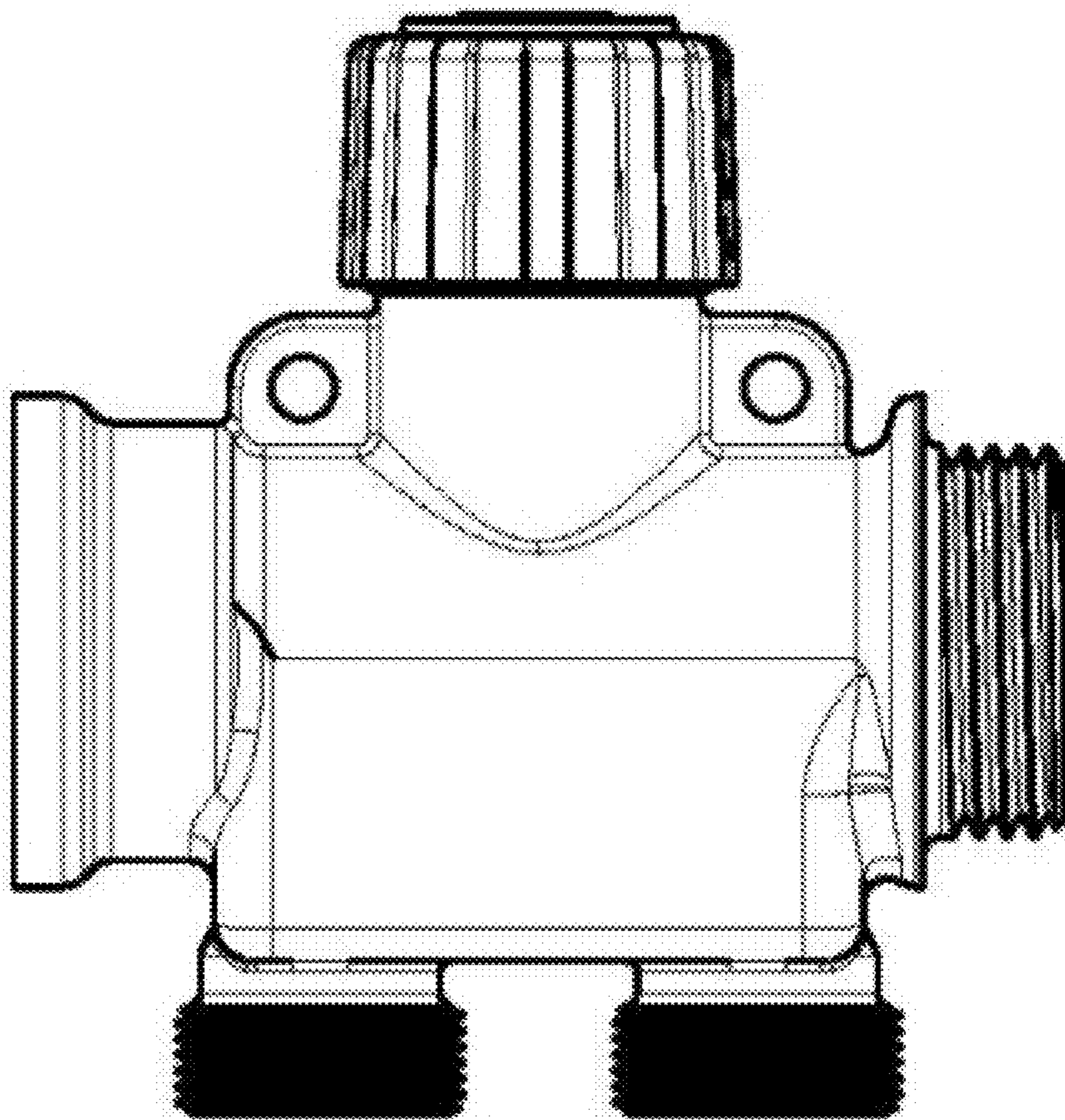
D426,616 S *	6/2000	Hui-Chen	D23/233
D499,174 S *	11/2004	Goetz	D23/245
D643,316 S *	8/2011	Nies	D10/40
D701,945 S *	4/2014	Mitsuoka	D23/245
D749,701 S *	2/2016	Lo	D23/245
D766,403 S *	9/2016	Urry	D23/245
D771,223 S *	11/2016	Rycroft	D23/233
D802,721 S *	11/2017	Downie	D23/245
D817,454 S *	5/2018	Sato	D23/245
D829,572 S *	10/2018	Cheng	D10/40
D837,664 S *	1/2019	Cheng	D10/40

* cited by examiner

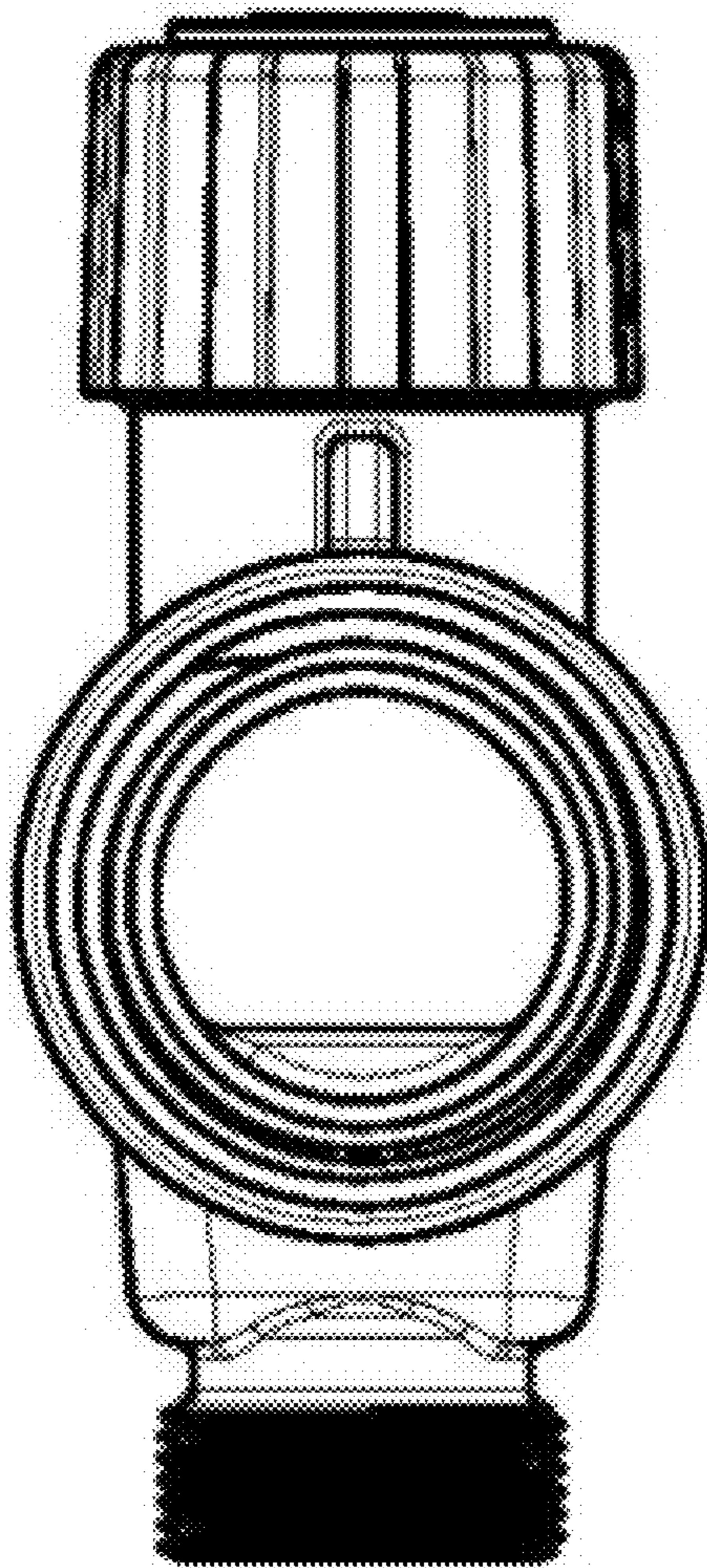
1.1



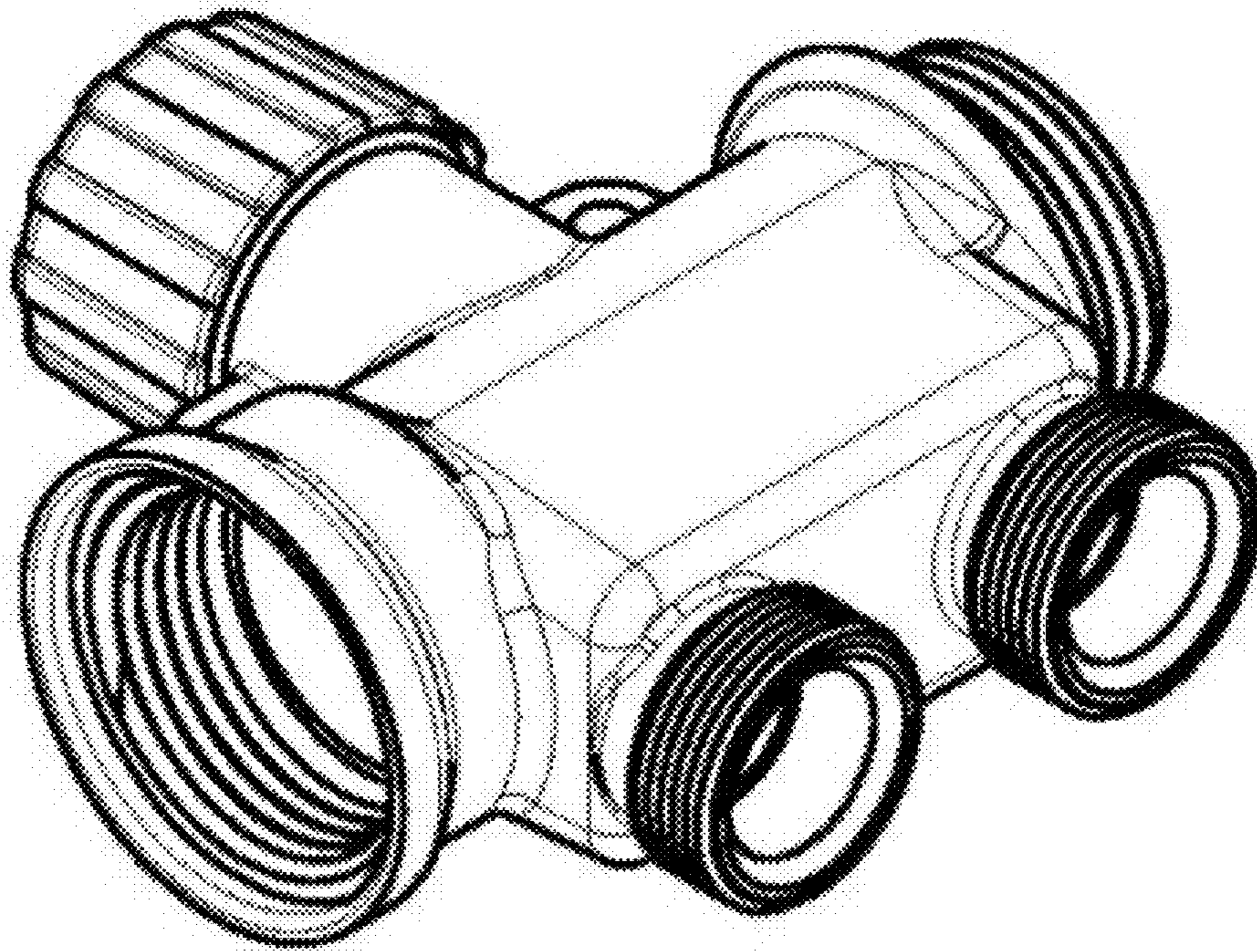
1.2



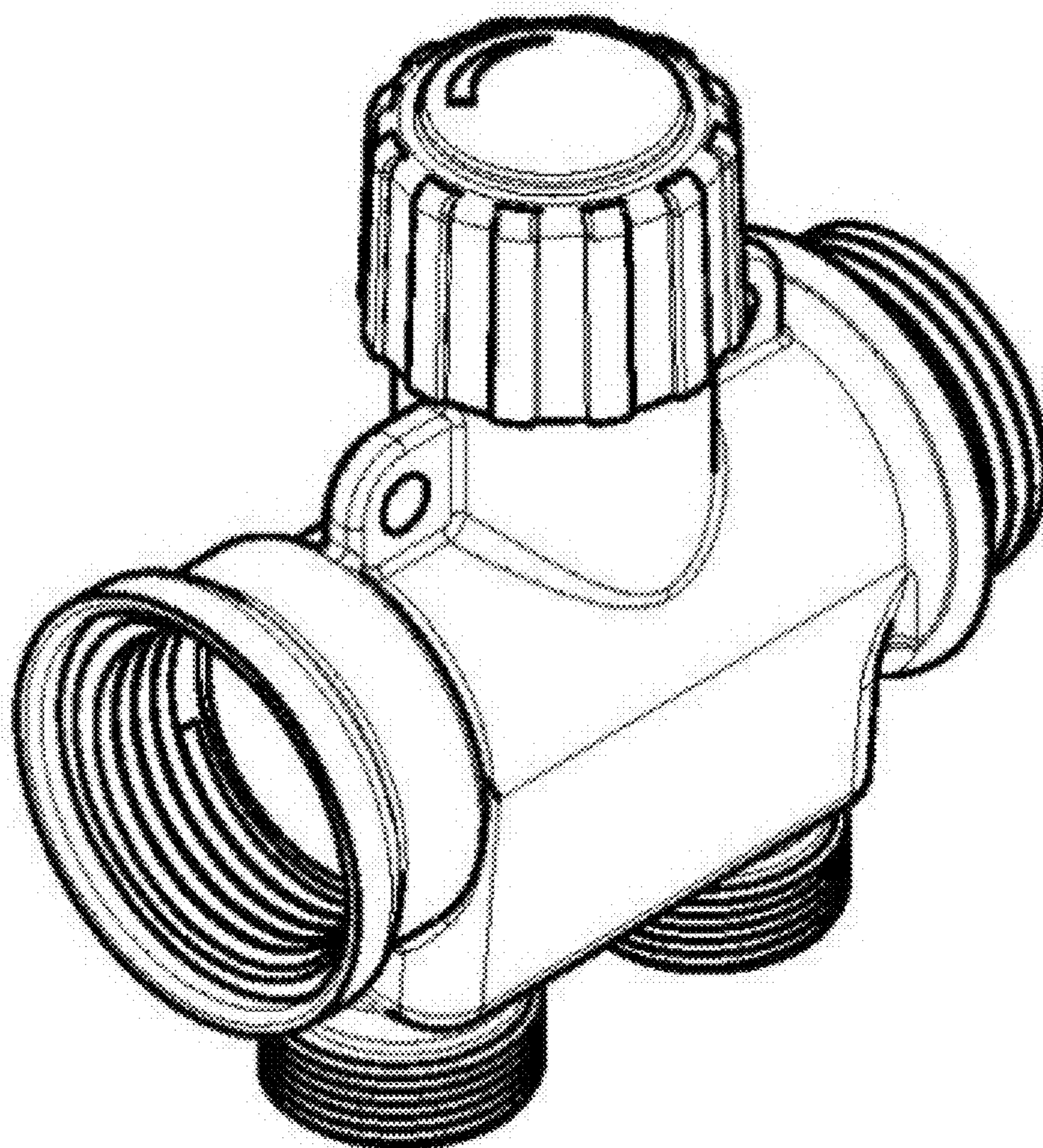
1.3



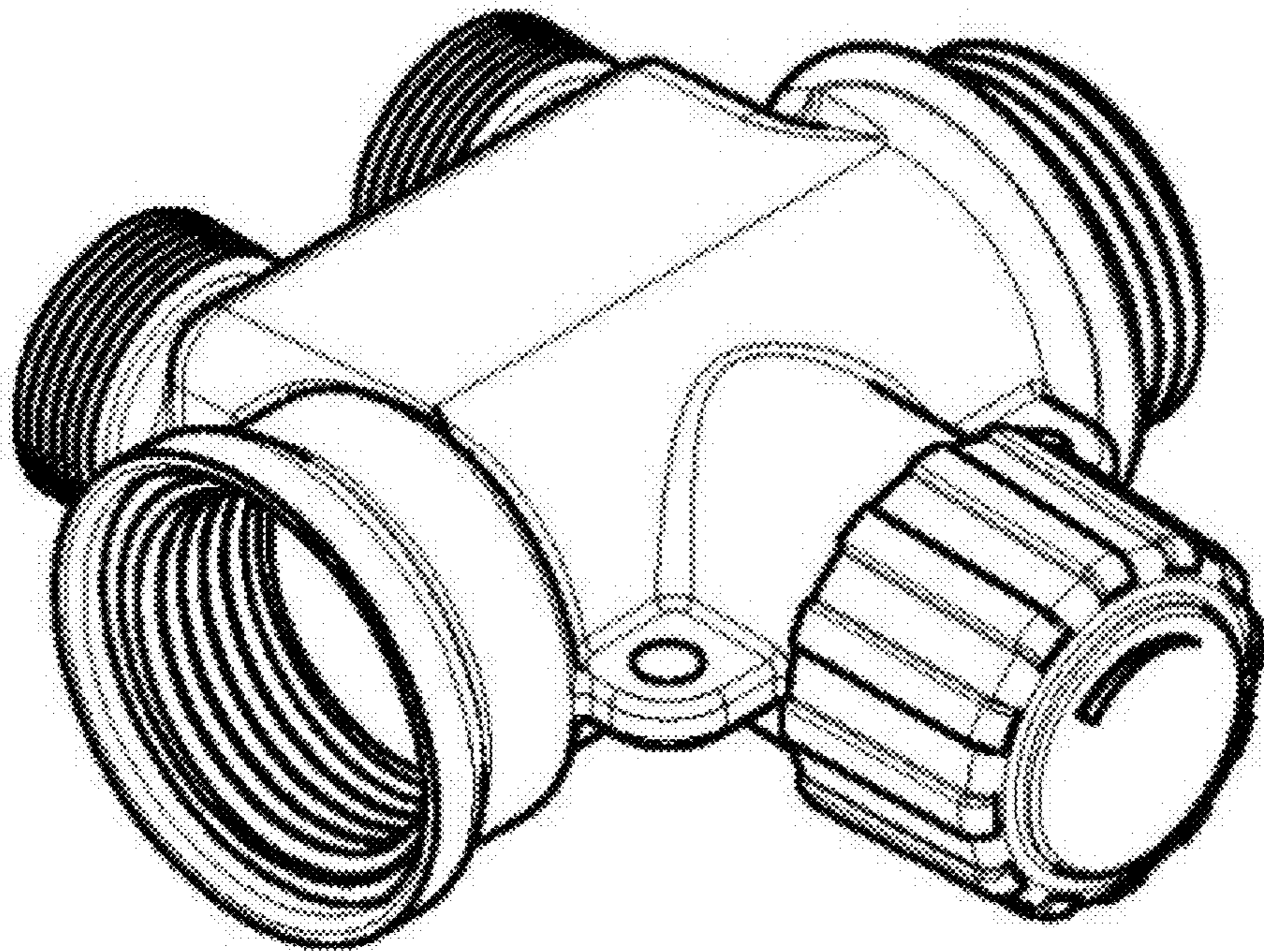
1.4



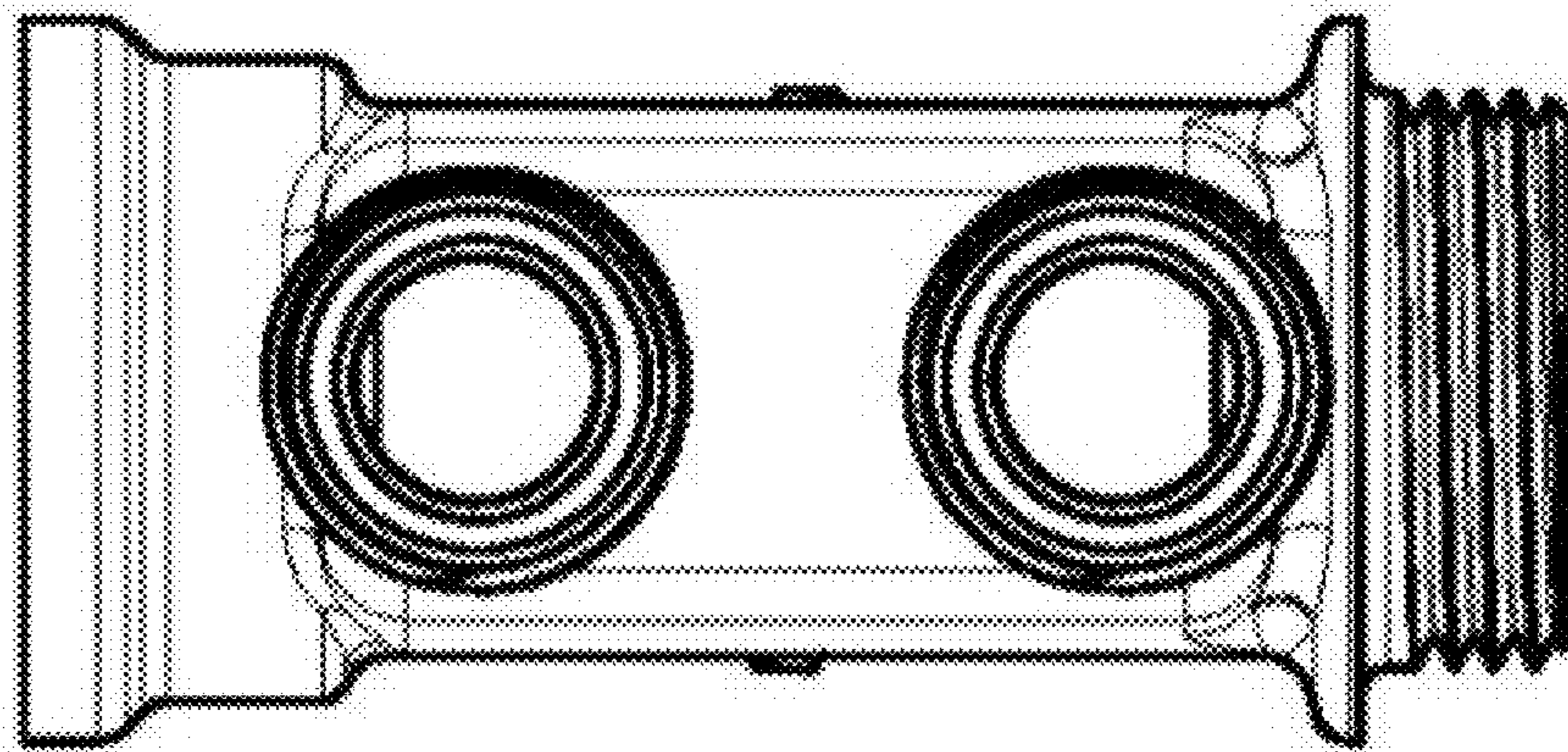
1.5



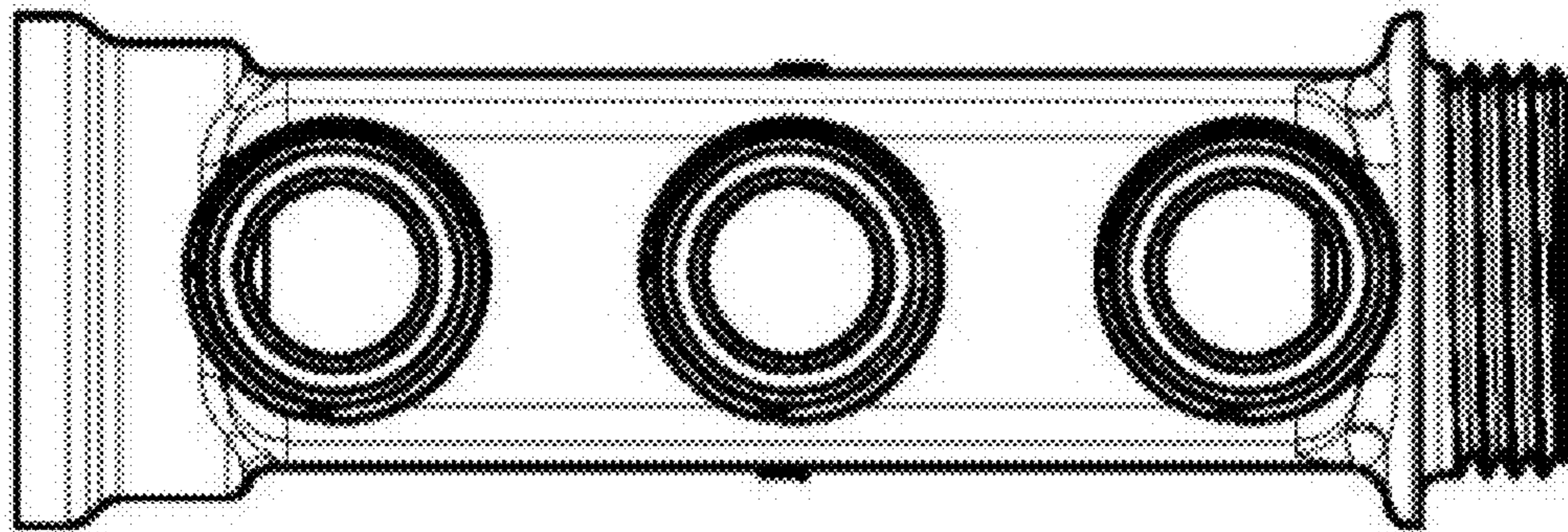
1.6



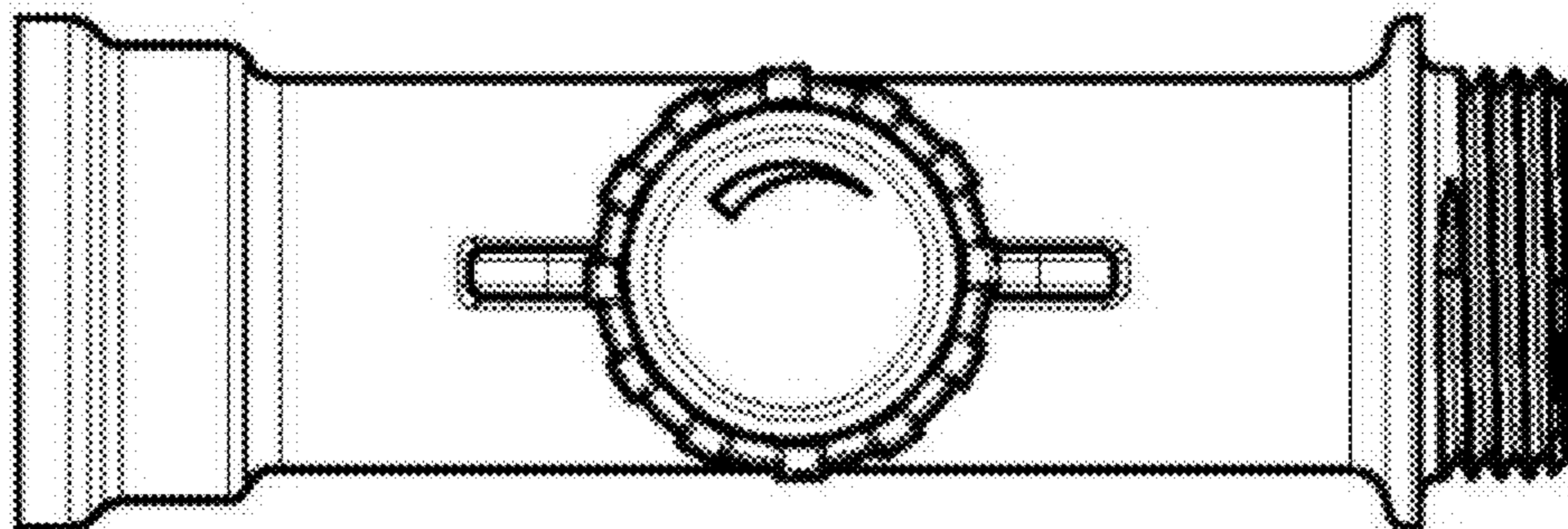
1.7



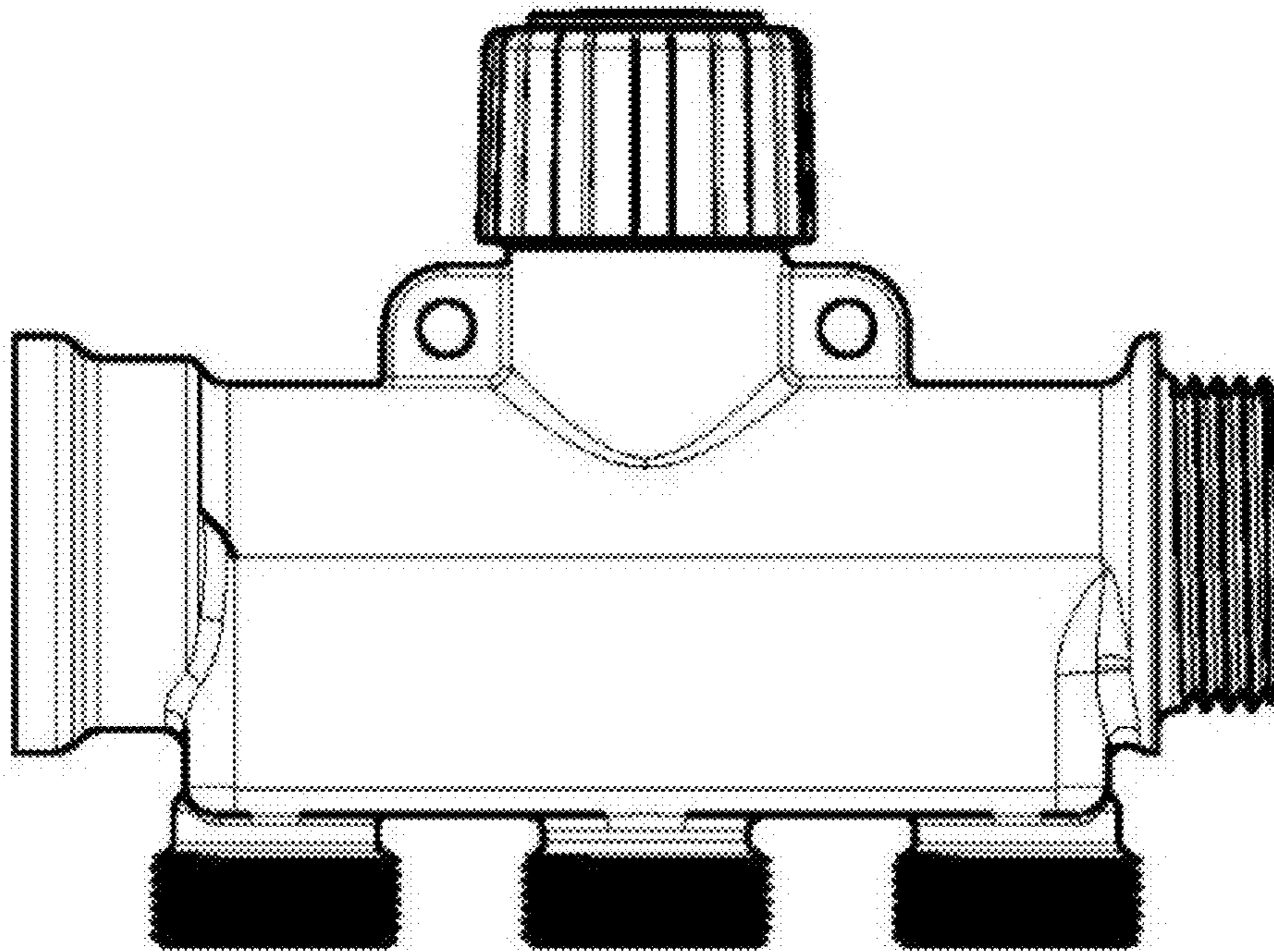
2.1



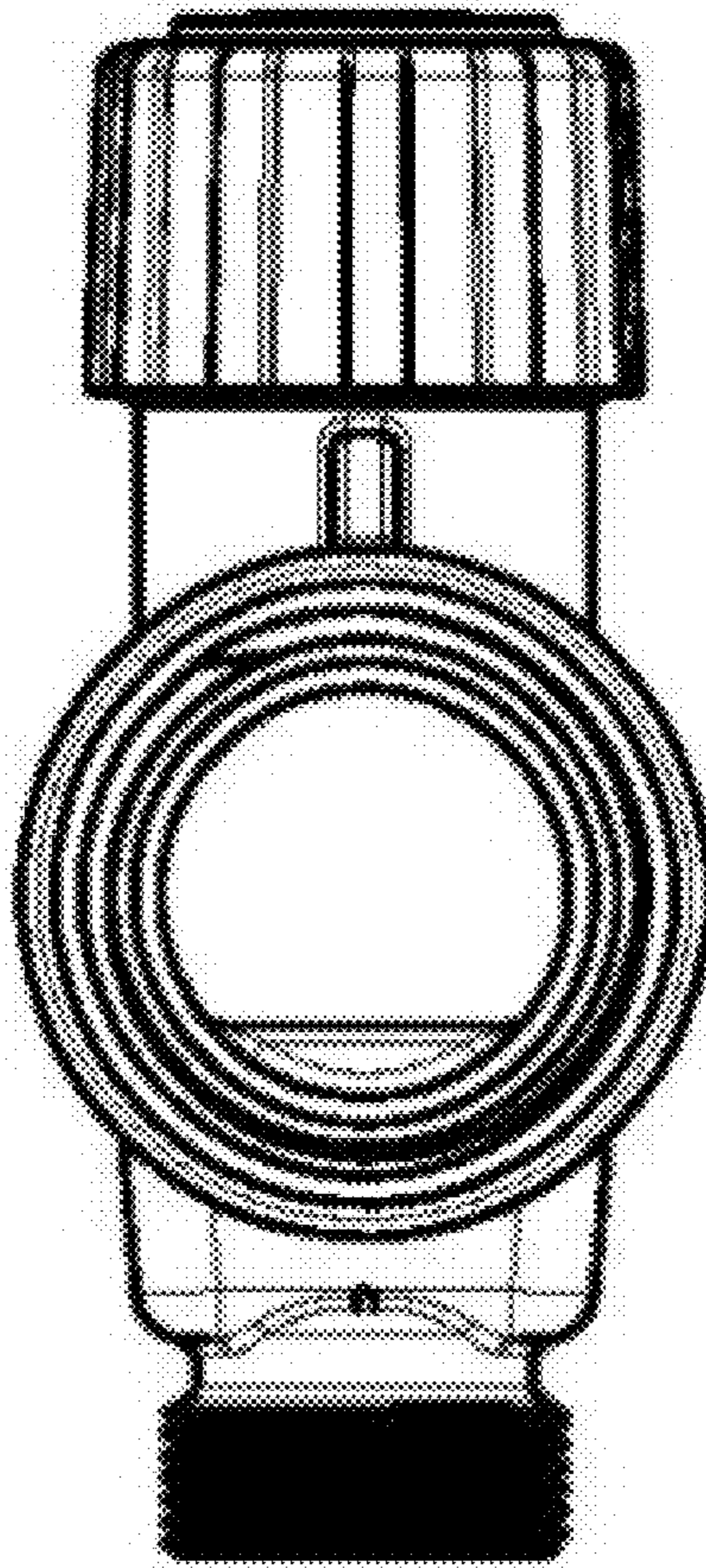
2.2



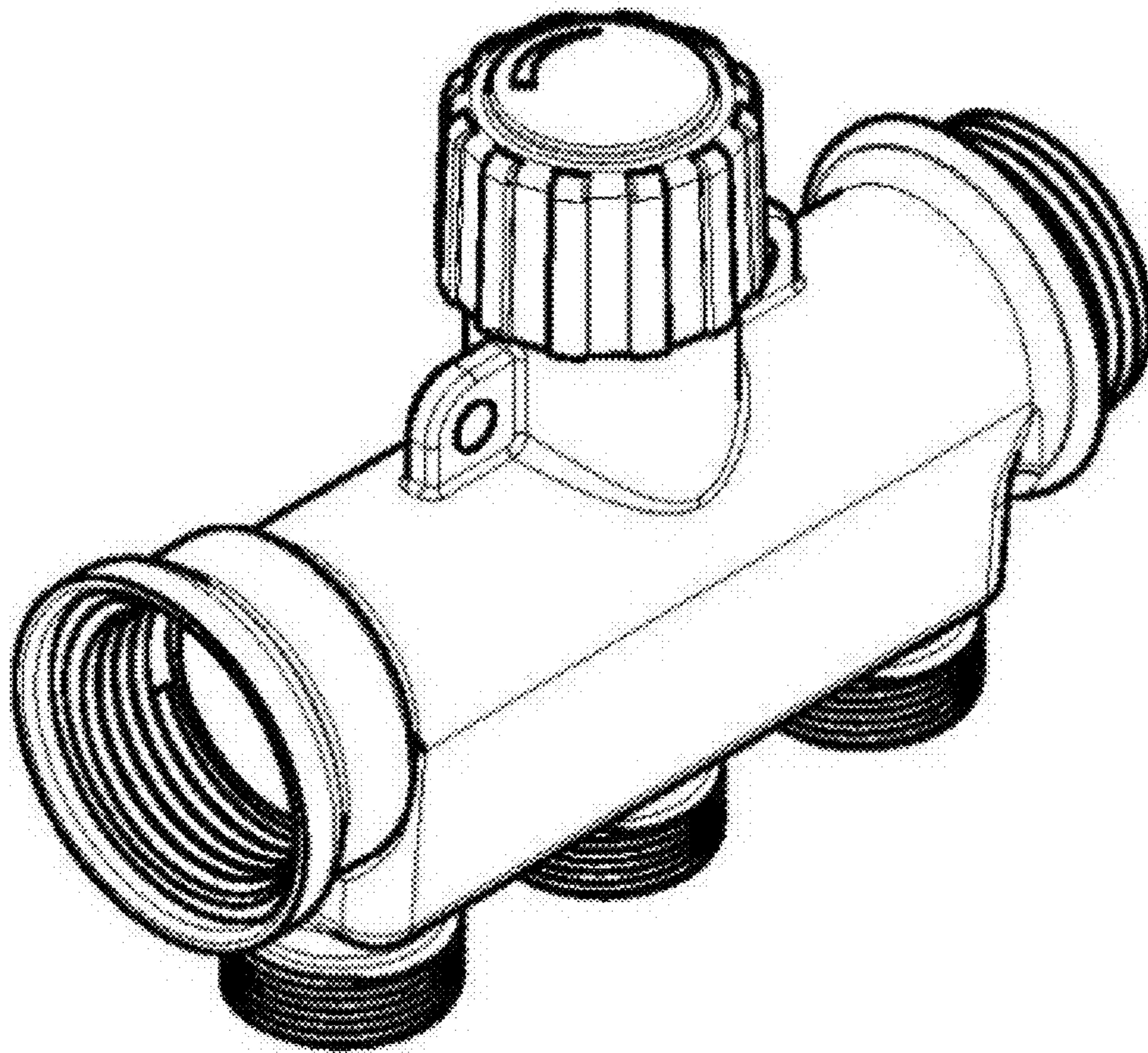
2.3



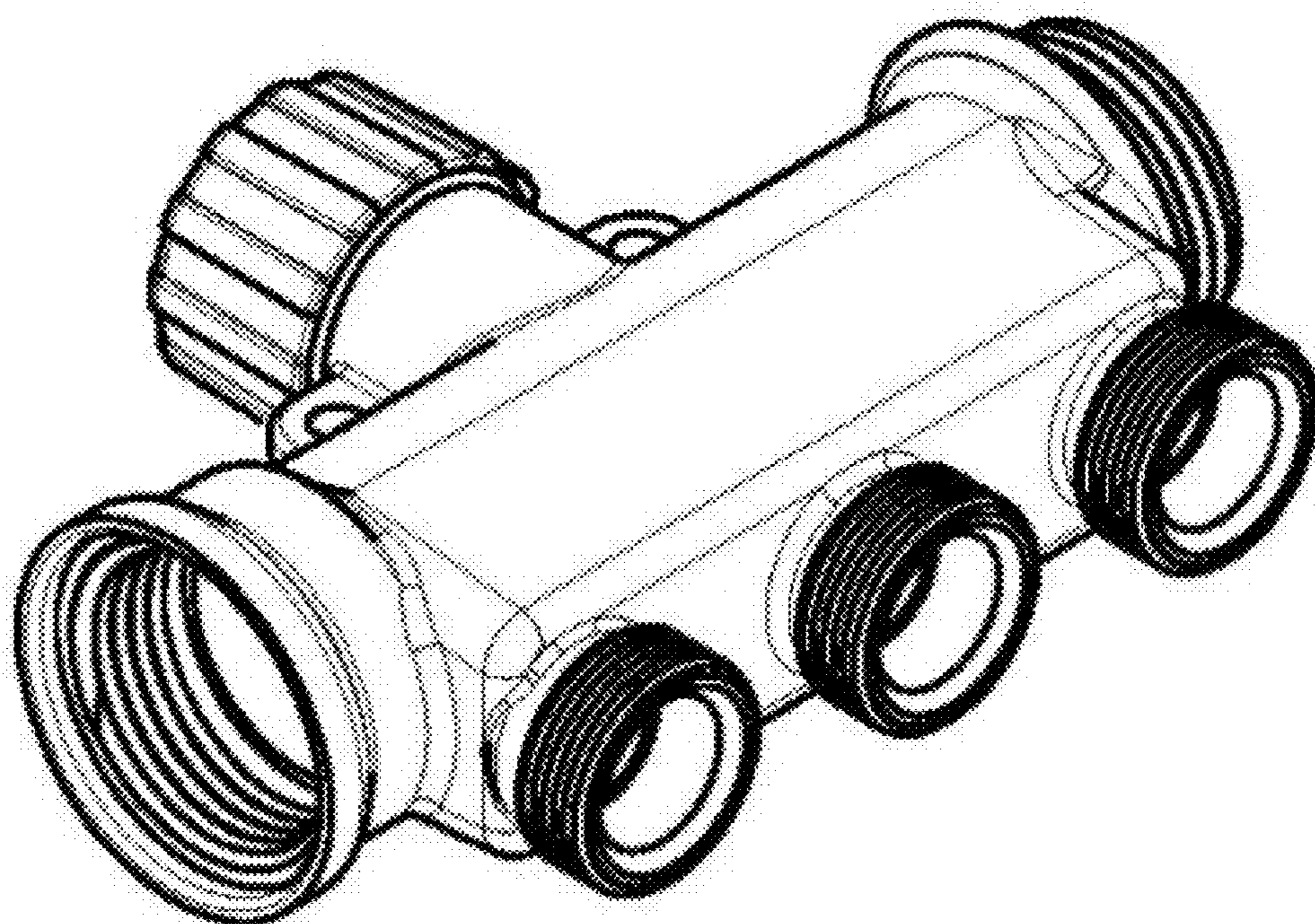
2.4



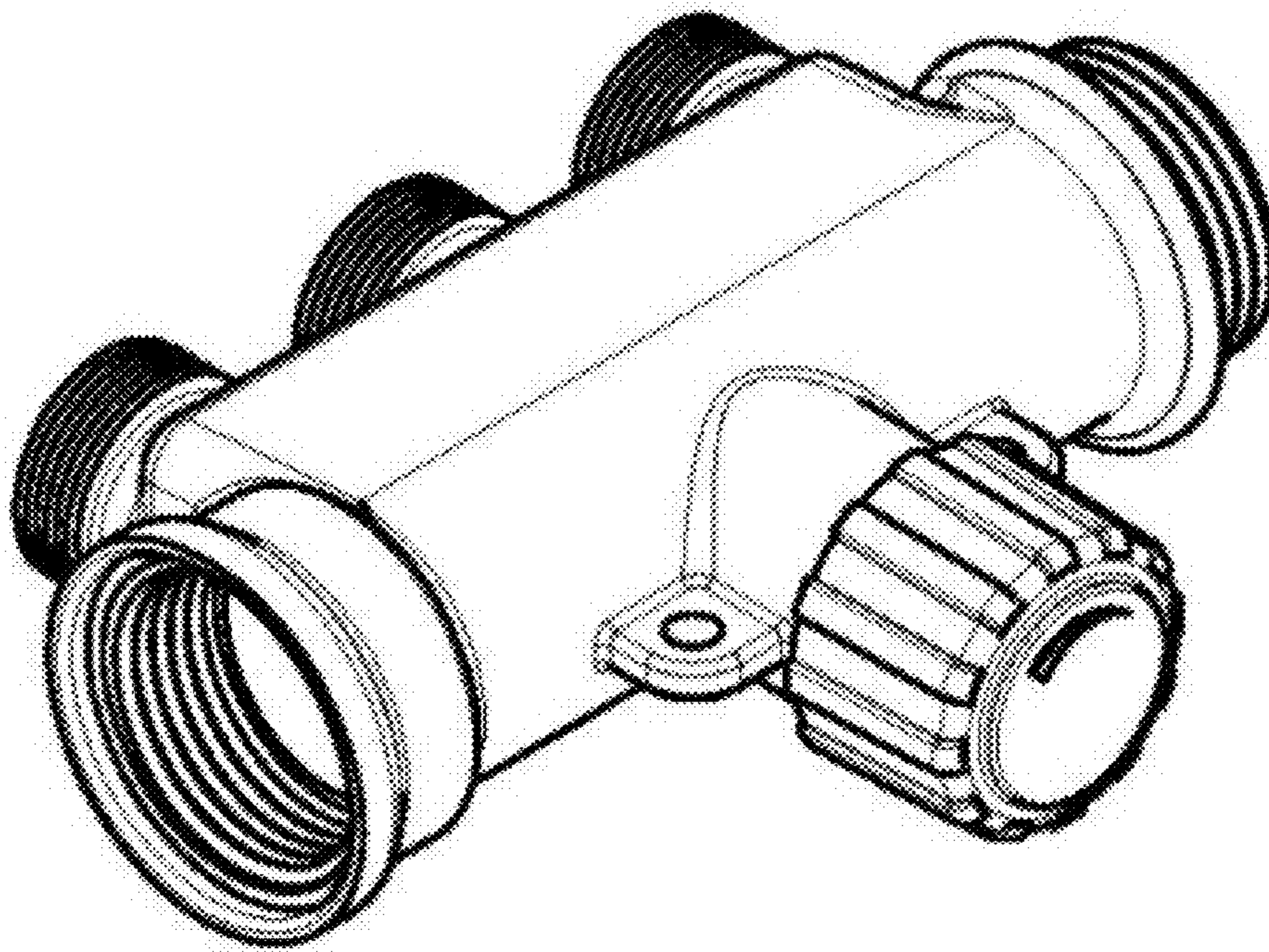
2.5



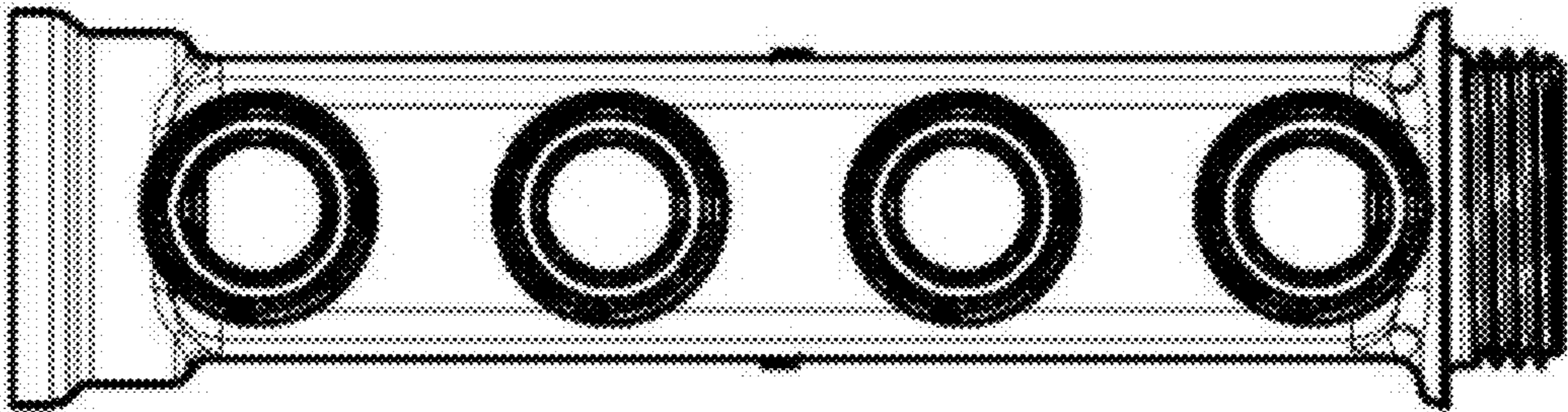
2.6



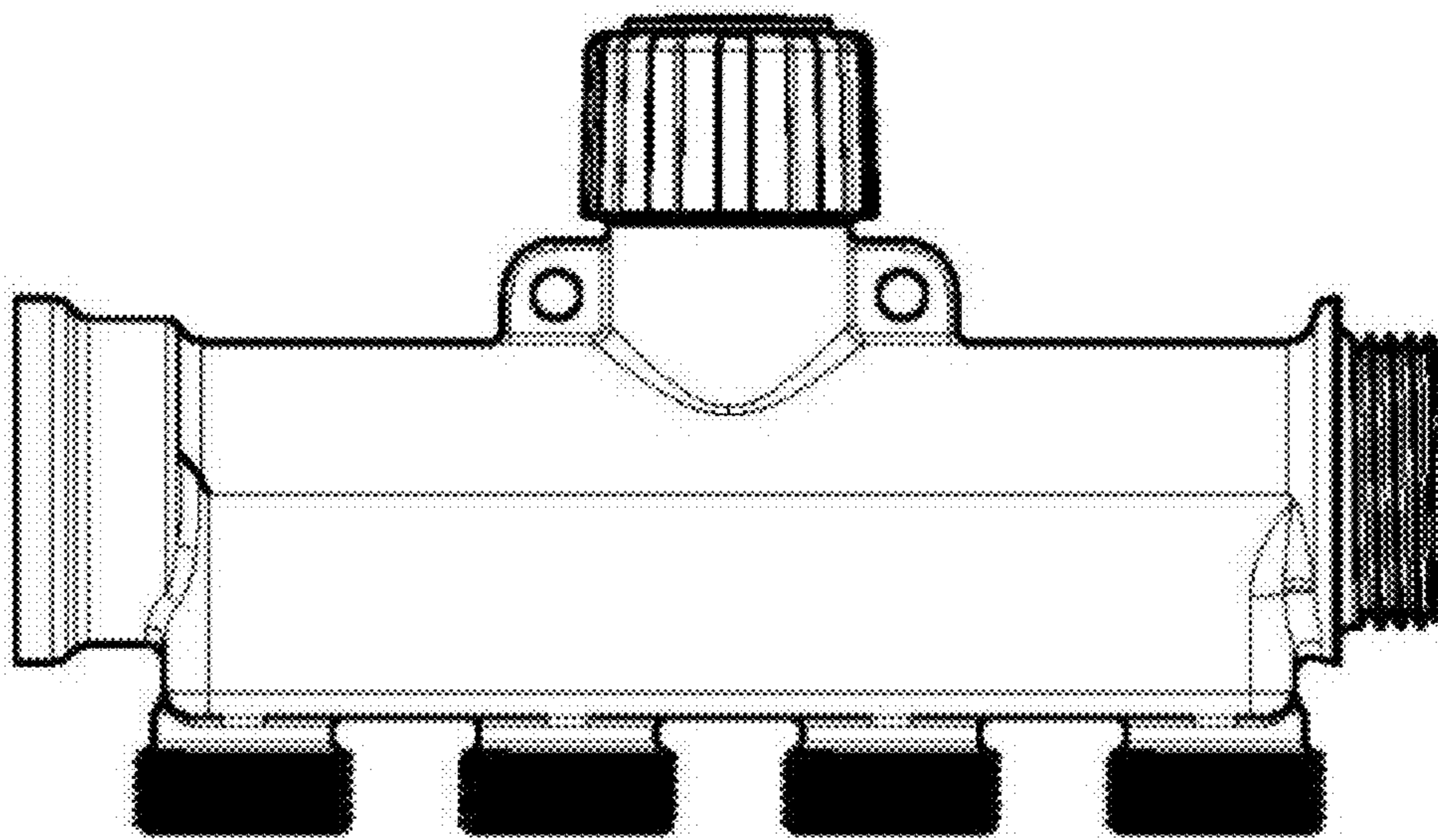
2.7



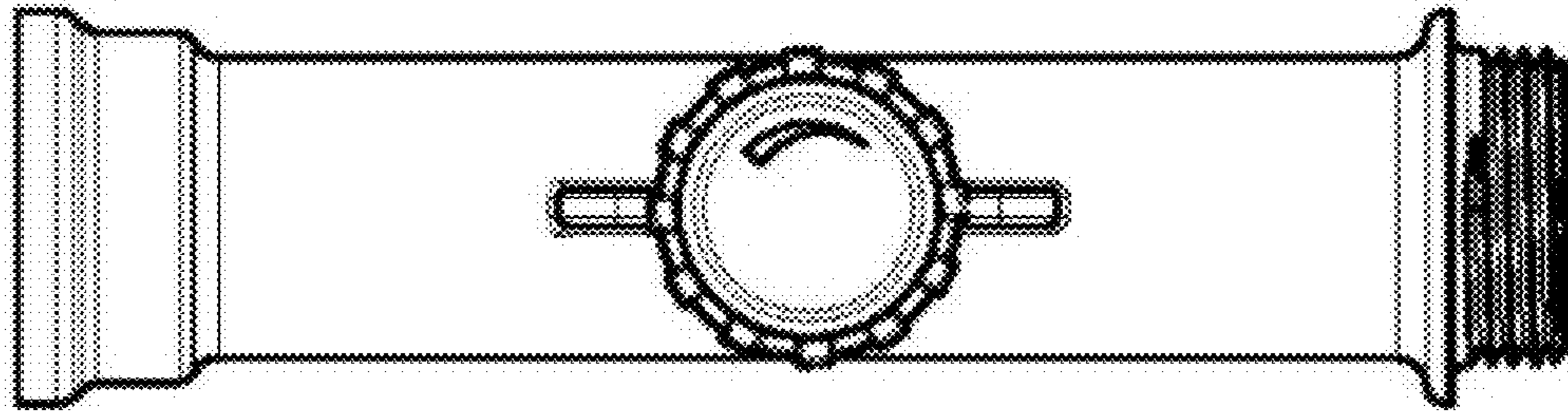
3.1



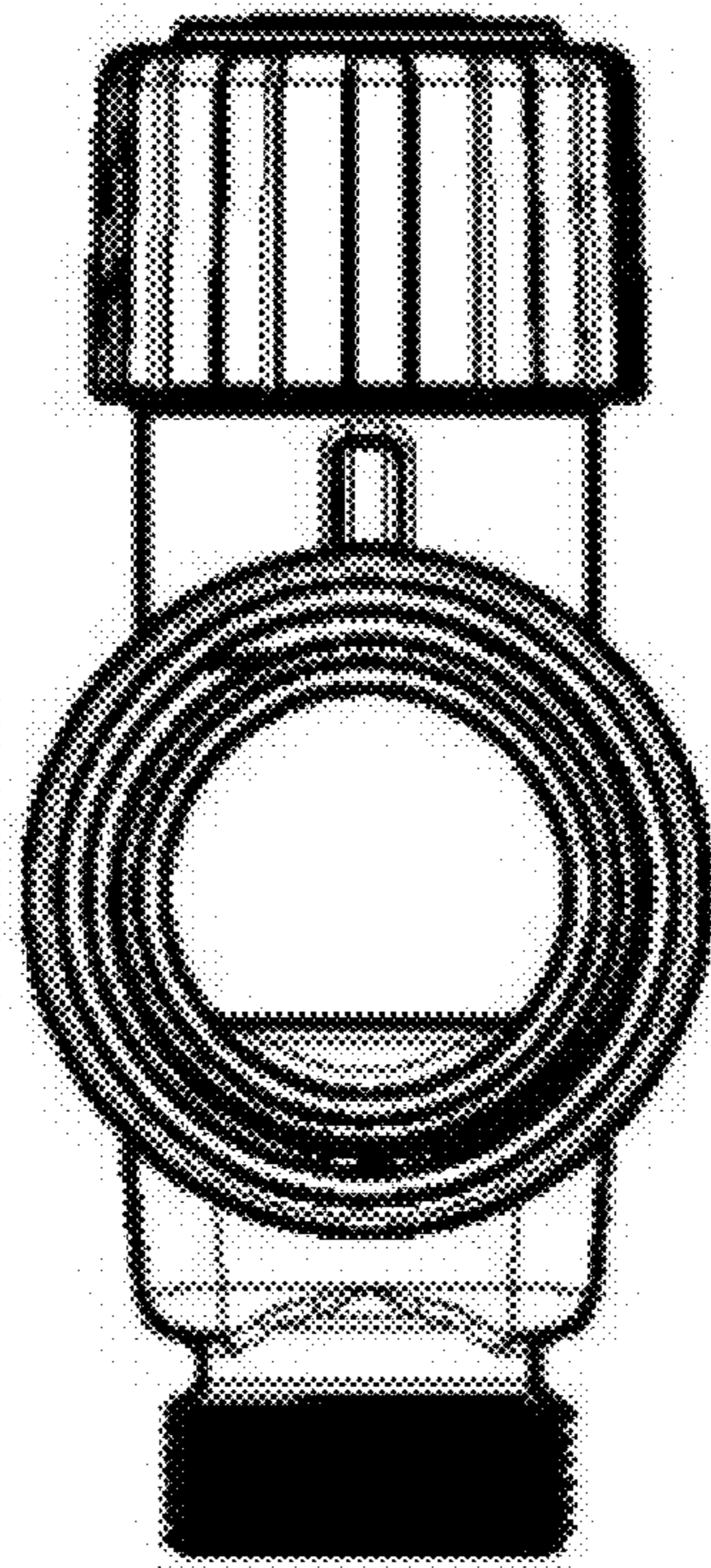
3.2



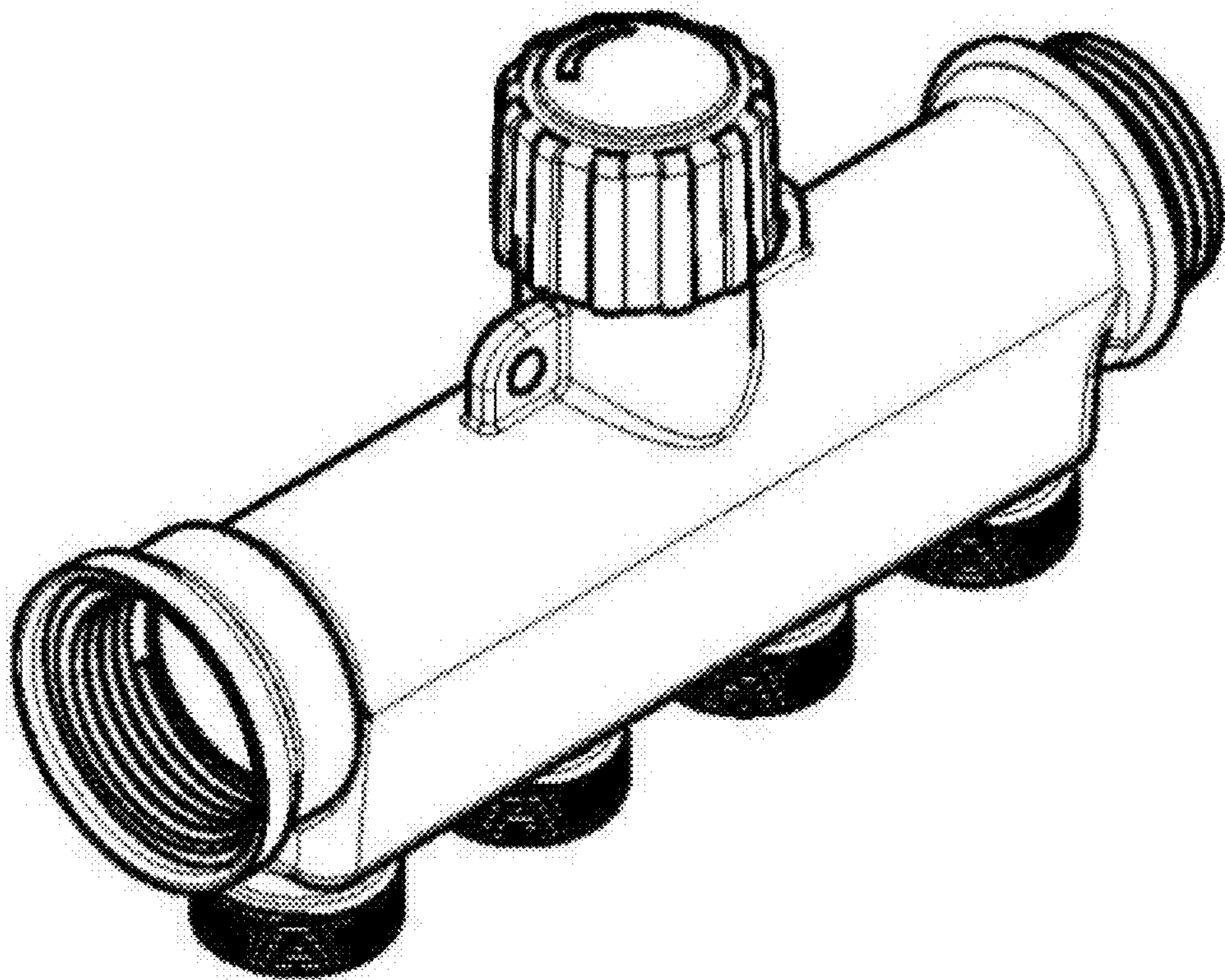
3.3



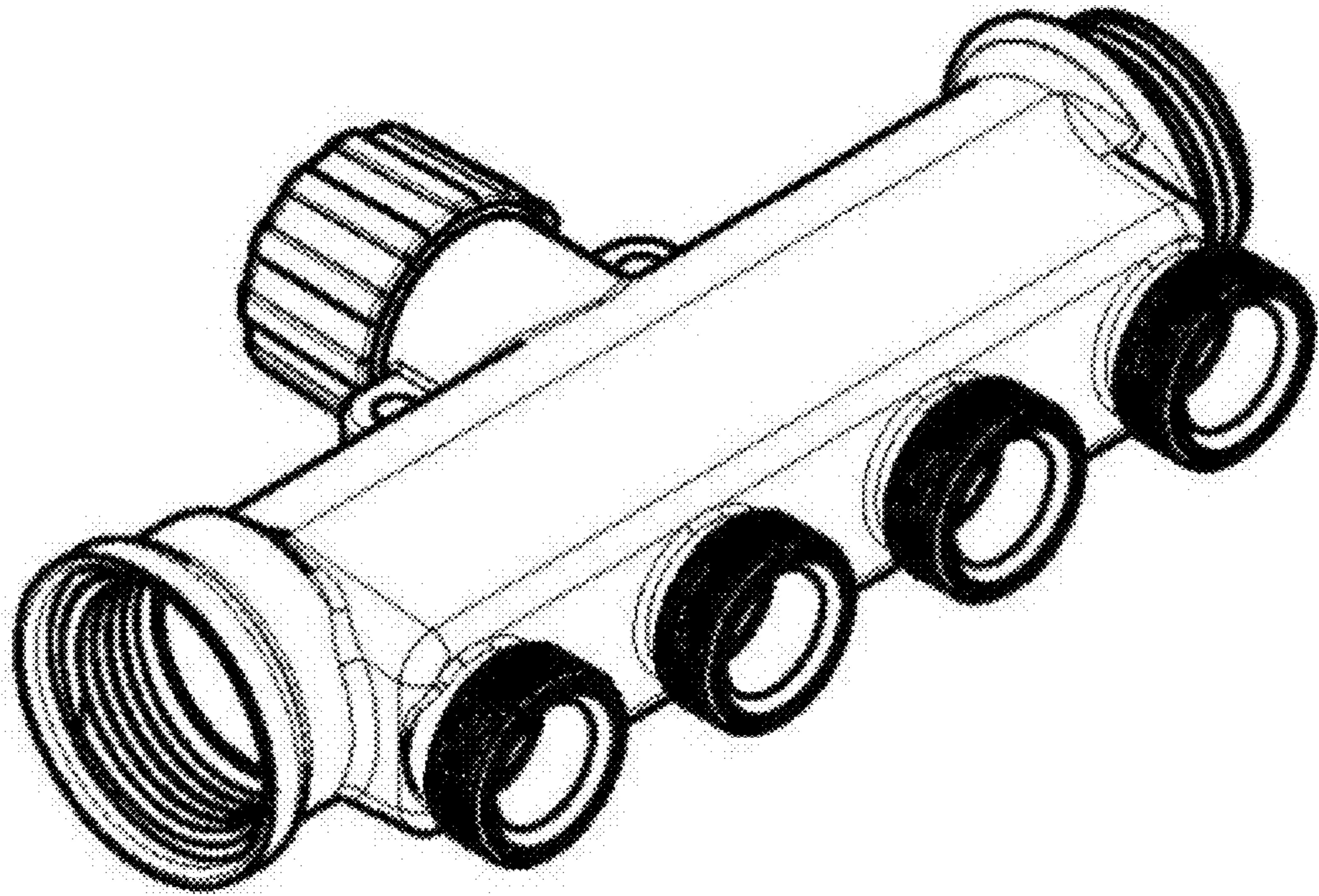
3.4



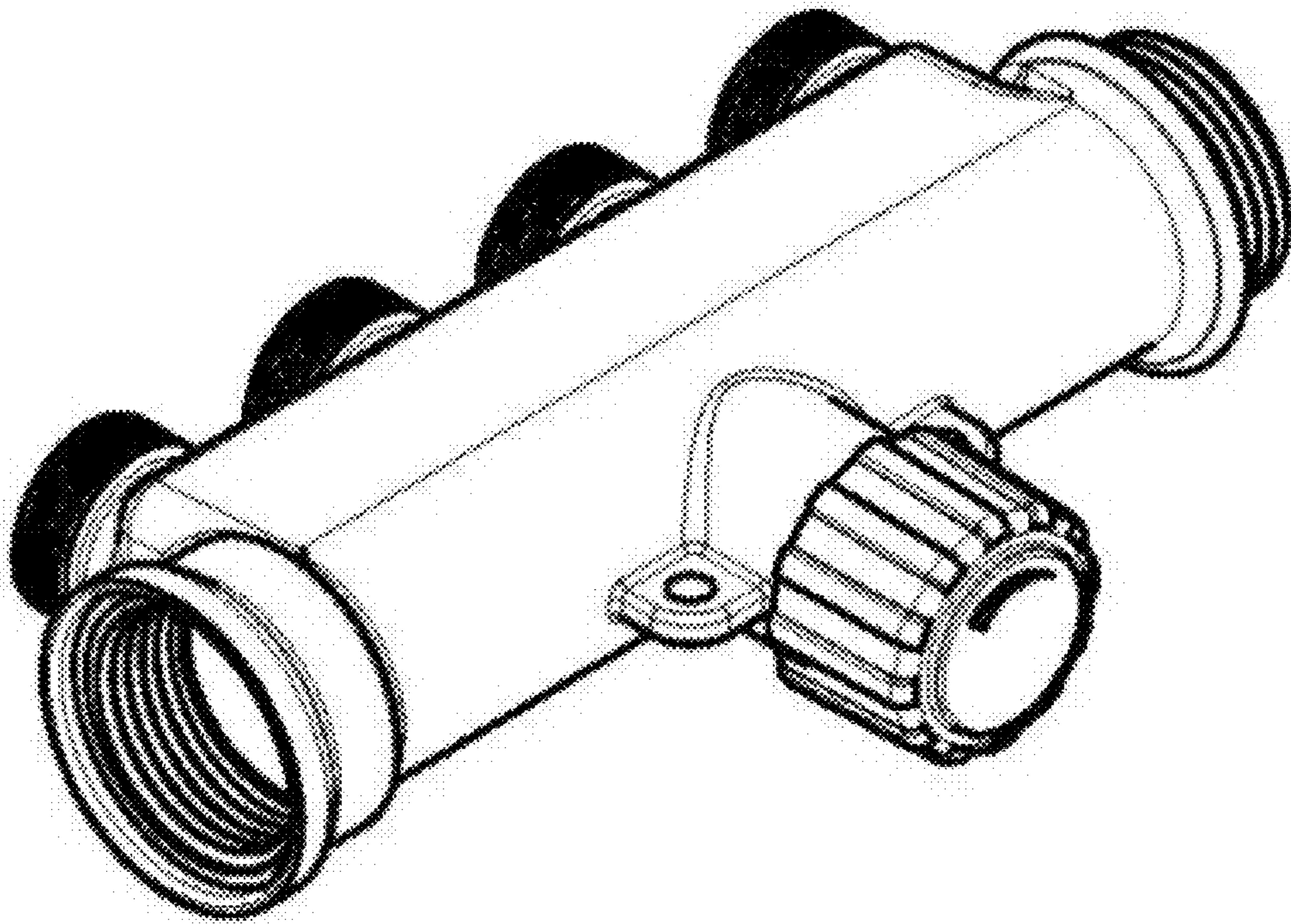
3.5



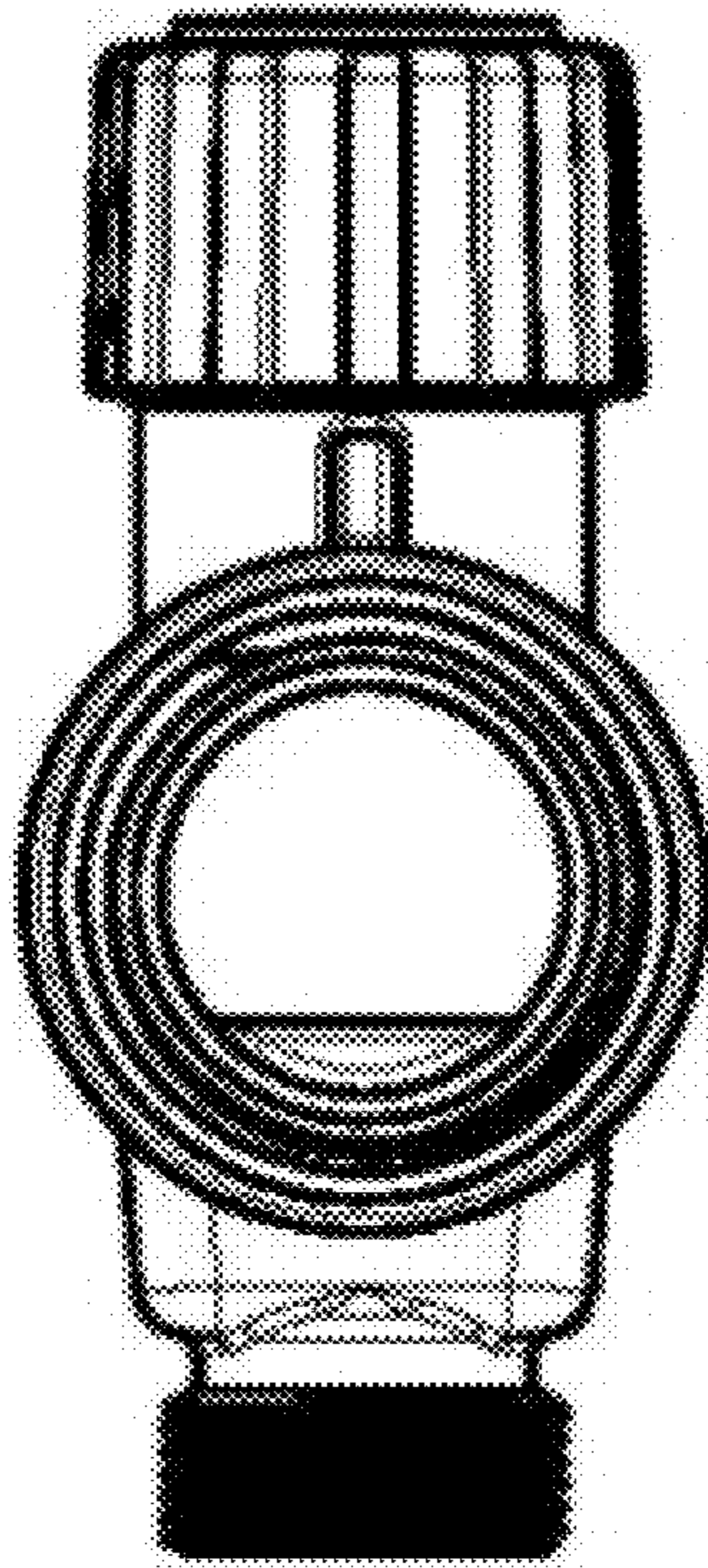
3.6



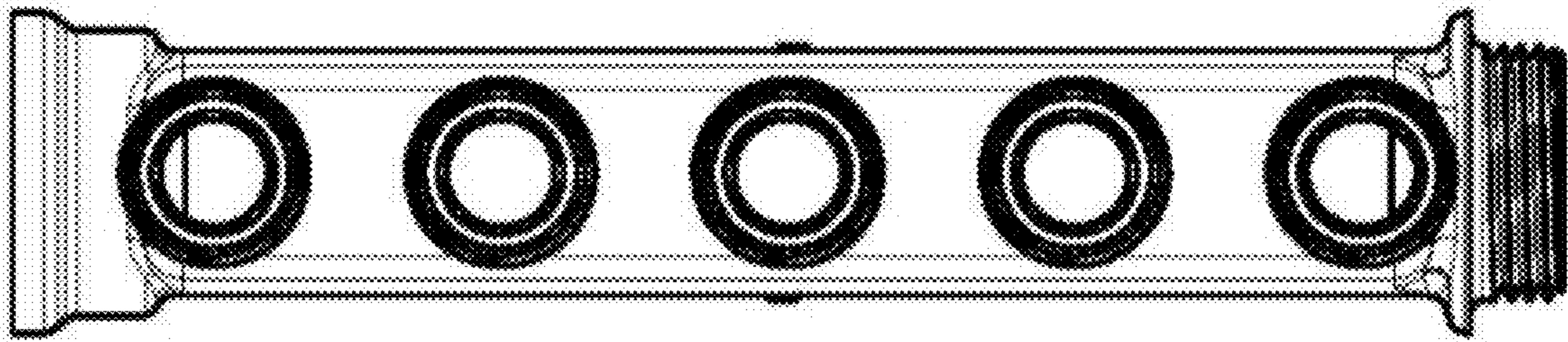
3.7



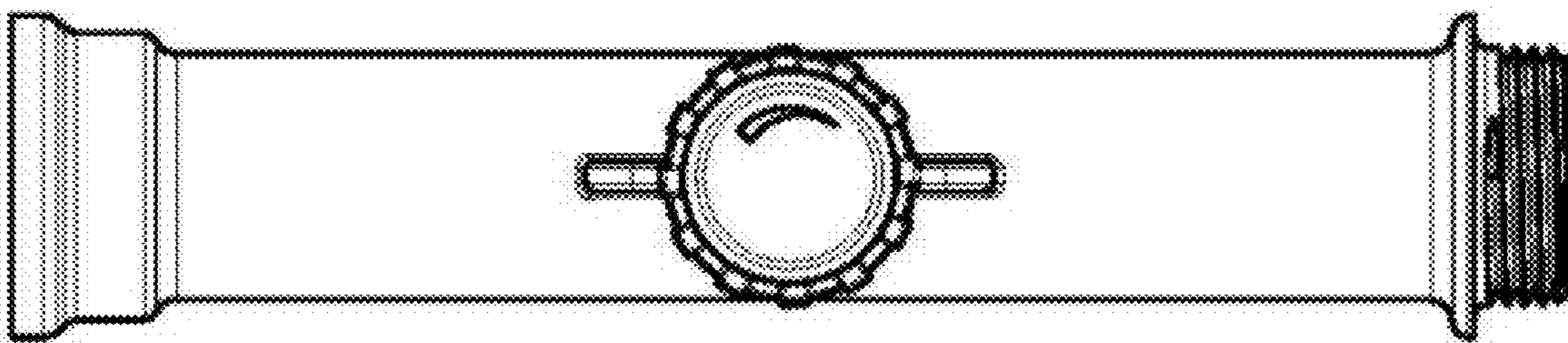
4.1



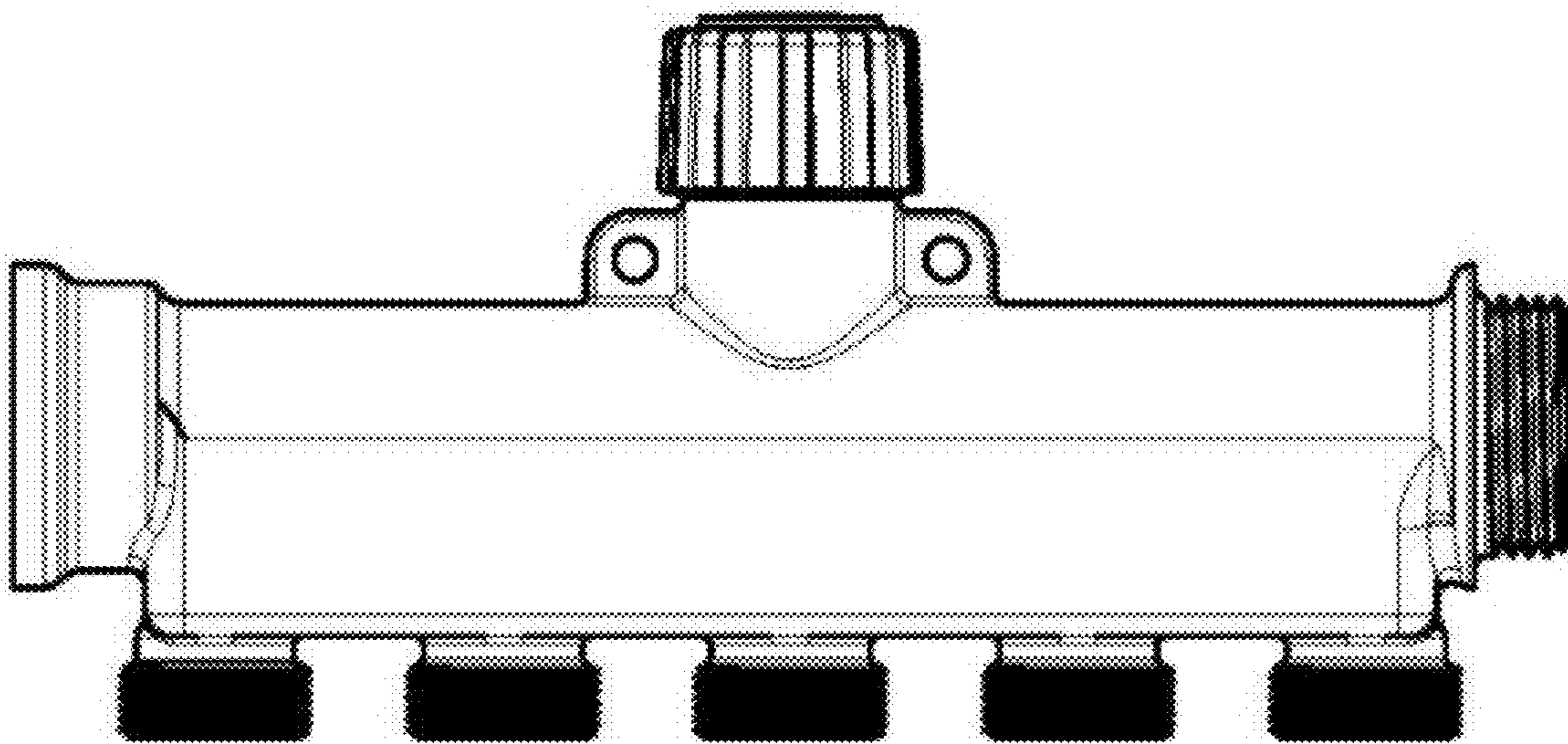
4.2



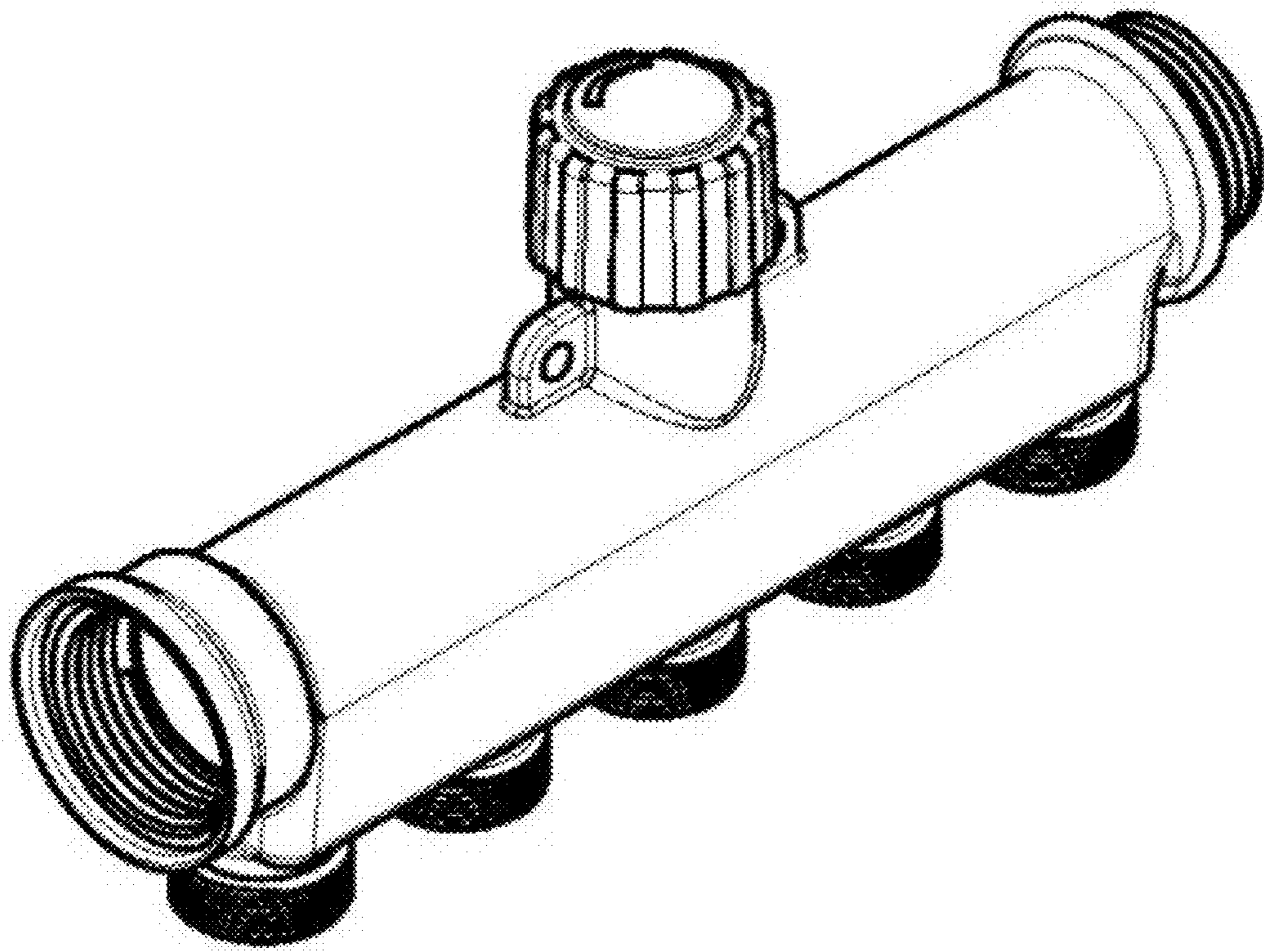
4.3



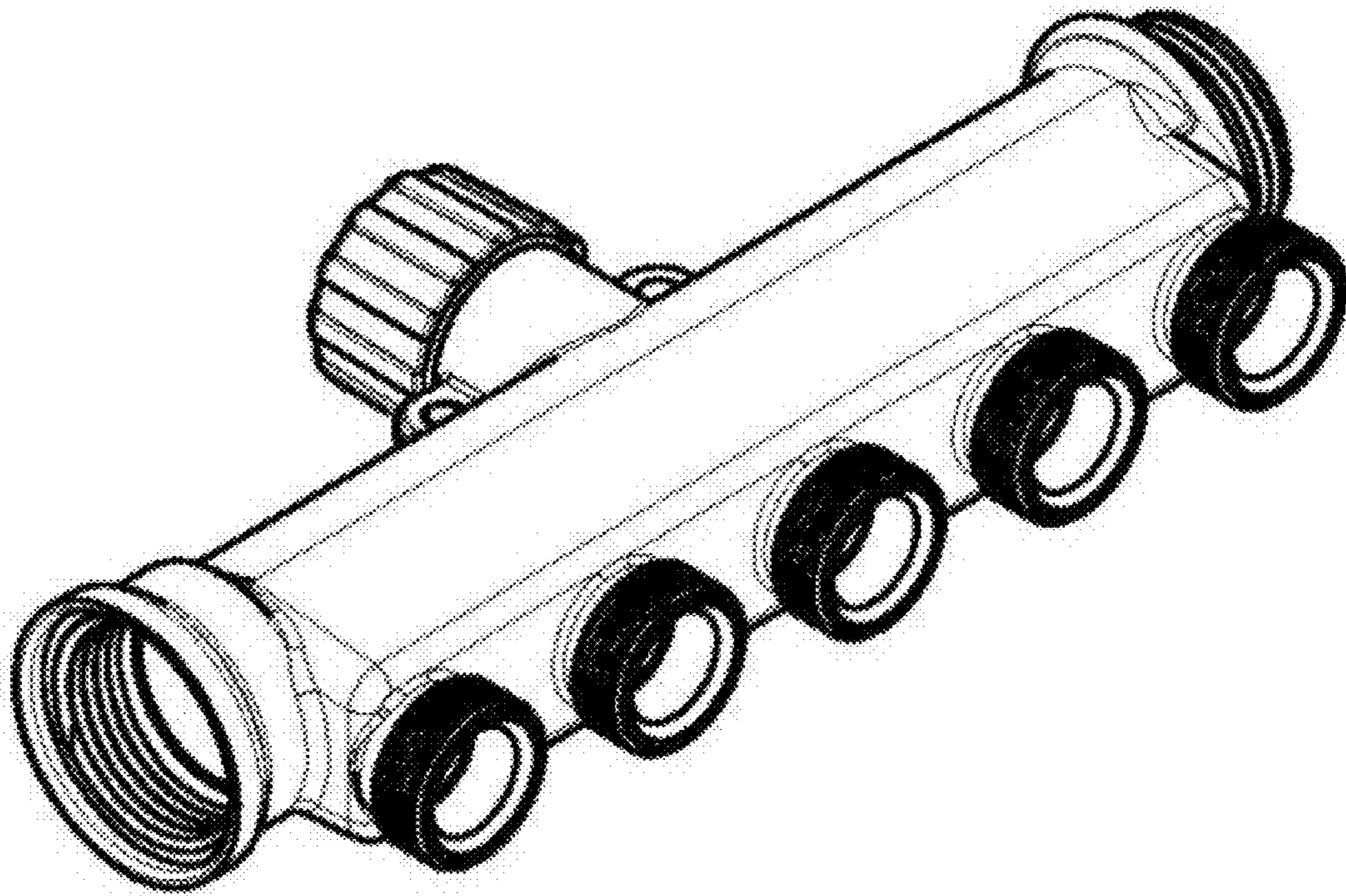
4.4



4.5



4.6



4.7

