

US00D867539S

(12) **United States Design Patent**  
**Garland**

(10) **Patent No.:** **US D867,539 S**

(45) **Date of Patent:** **\*\* Nov. 19, 2019**

(54) **FAUCET**

(71) Applicant: **DELTA FAUCET COMPANY,**  
Indianapolis, IN (US)

(72) Inventor: **Celine Kwok Garland,** Zionsville, IN  
(US)

(73) Assignee: **DELTA FAUCET COMPANY,**  
Indianapolis, IN (US)

(\*\*) Term: **15 Years**

(21) Appl. No.: **29/632,595**

(22) Filed: **Jan. 9, 2018**

(51) **LOC (12) Cl.** ..... **23-01**

(52) **U.S. Cl.**  
USPC ..... **D23/242**

(58) **Field of Classification Search**  
USPC ..... D23/238-243, 249, 255, 257, 250, 252,  
D23/254, 245; D8/307-308  
CPC ..... F16K 31/60; F16K 31/602; F16K 31/605;  
F16K 31/607; E03C 1/0412  
See application file for complete search history.

(56) **References Cited**

**U.S. PATENT DOCUMENTS**

691,569 A \* 1/1902 Pohlman ..... F16K 31/602  
251/246  
4,678,002 A \* 7/1987 Valley ..... F16K 41/04  
137/315.13

D371,956 S \* 7/1996 Steffes ..... D23/254  
D405,162 S \* 2/1999 Doughty ..... D23/250  
D461,536 S \* 8/2002 Singtoroj ..... D23/252  
D522,344 S \* 6/2006 Gilbert ..... D8/308  
D527,444 S \* 8/2006 Gilbert ..... D23/255  
D570,455 S \* 6/2008 Dolan ..... D23/250  
D581,020 S \* 11/2008 Dolan ..... D23/250  
D597,634 S \* 8/2009 Haug ..... D23/254  
D615,627 S \* 5/2010 Sofield ..... D23/252  
D718,424 S \* 11/2014 Smith ..... D23/255  
D828,519 S \* 9/2018 Garland ..... D23/254  
D834,148 S \* 11/2018 Thomas ..... D23/242

\* cited by examiner

*Primary Examiner* — Robert A Delehanty

(74) *Attorney, Agent, or Firm* — Edgar A. Zarins; Nirav  
D. Parikh

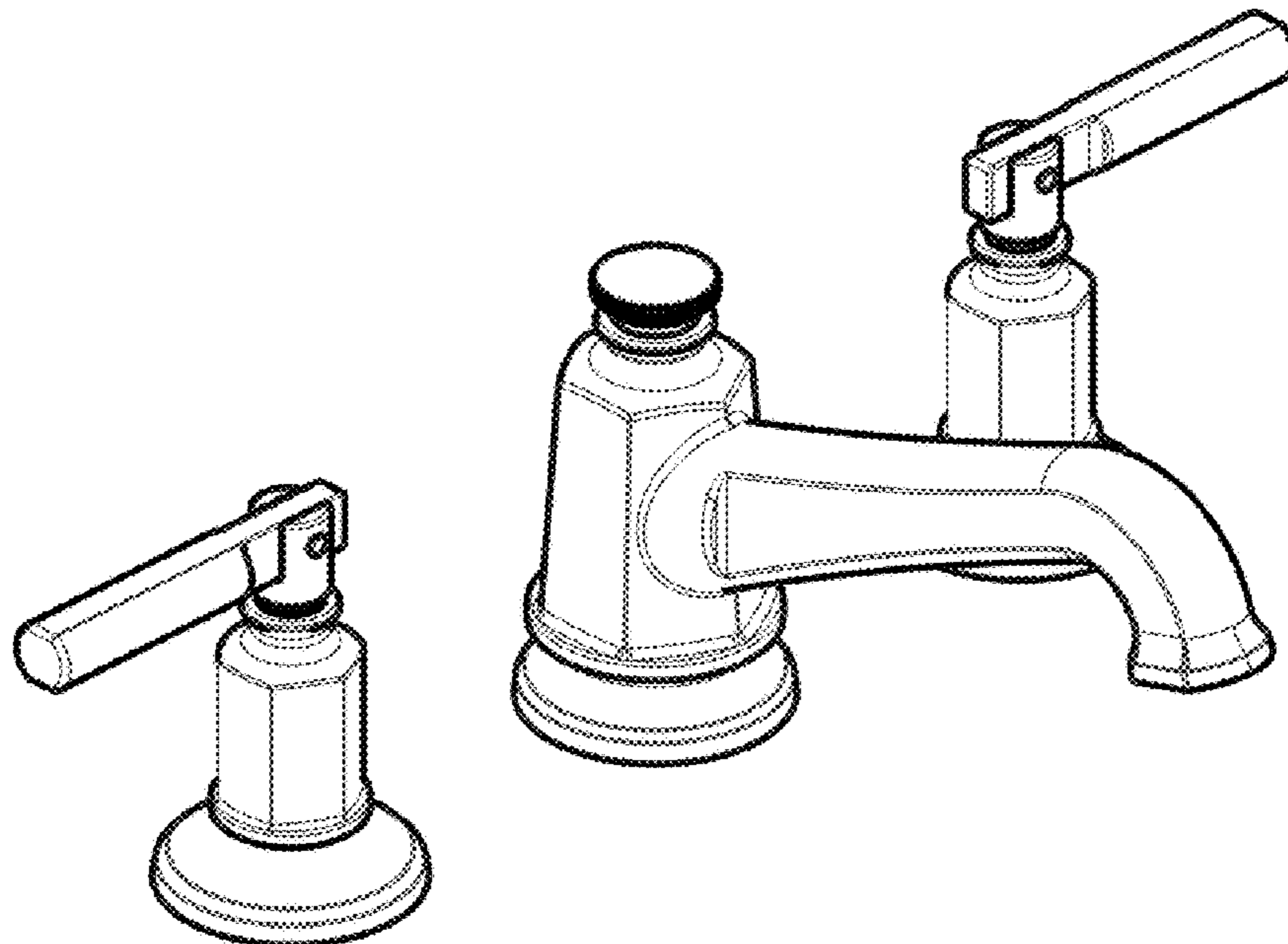
(57) **CLAIM**

The ornamental design for a faucet, as shown and described.

**DESCRIPTION**

FIG. 1 is a front perspective view of a faucet showing my  
new design;  
FIG. 2 is a rear perspective view thereof;  
FIG. 3 is a front elevational view thereof;  
FIG. 4 is a left side view thereof;  
FIG. 5 is a rear view thereof;  
FIG. 6 is a right side view thereof; and,  
FIG. 7 is a top plan view thereof.

**1 Claim, 4 Drawing Sheets**



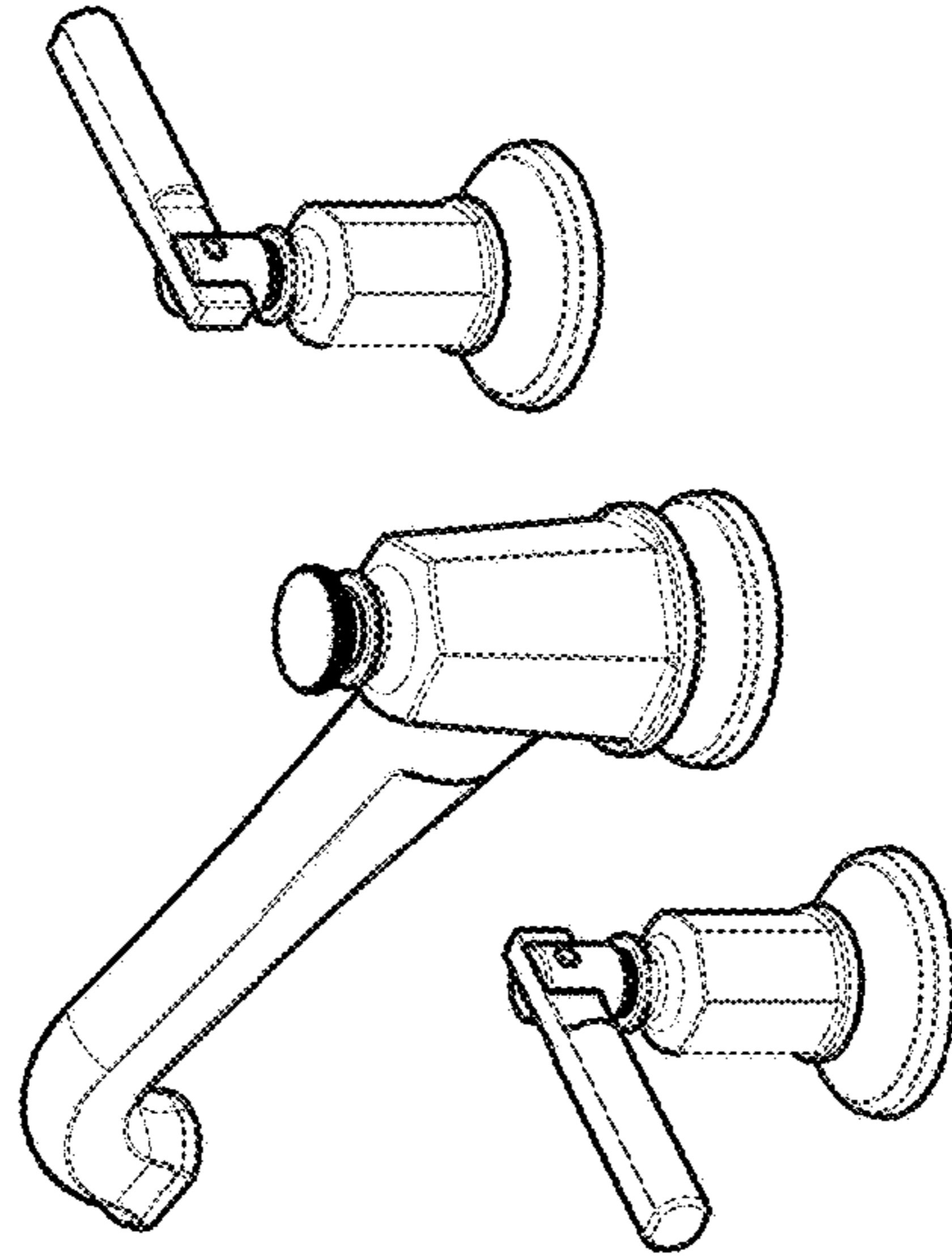


Fig. 2

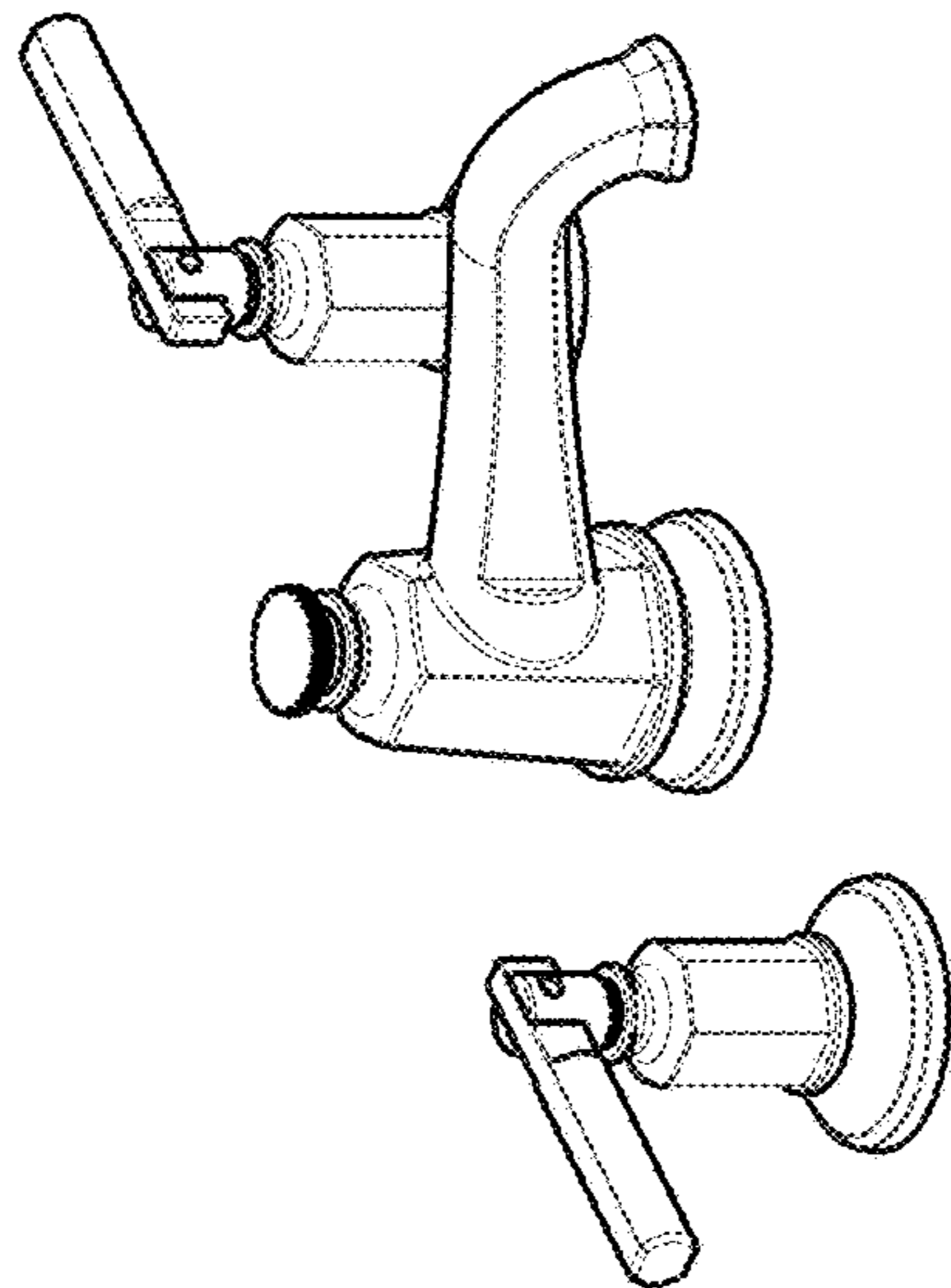


Fig. 1

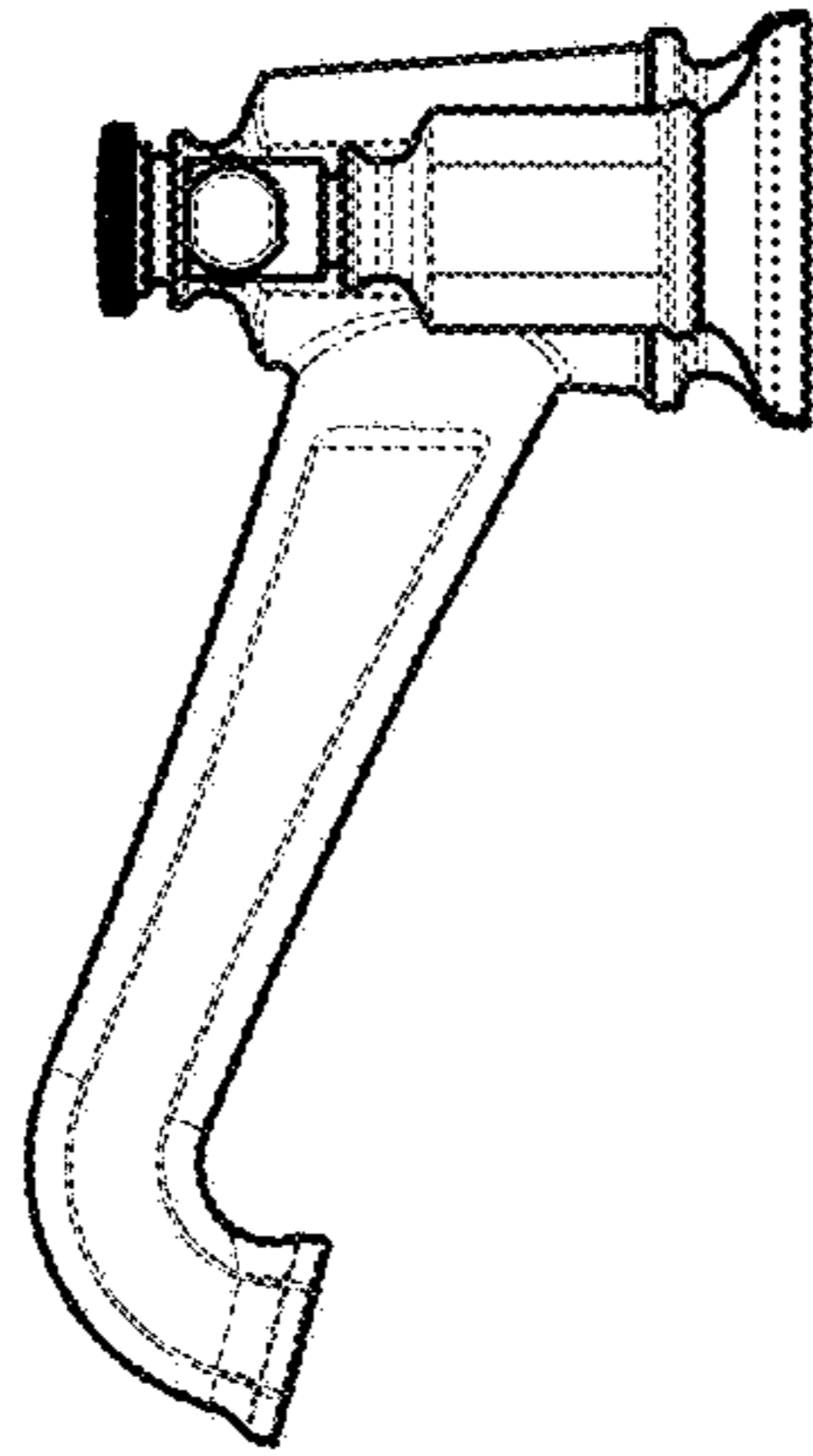


Fig. 4

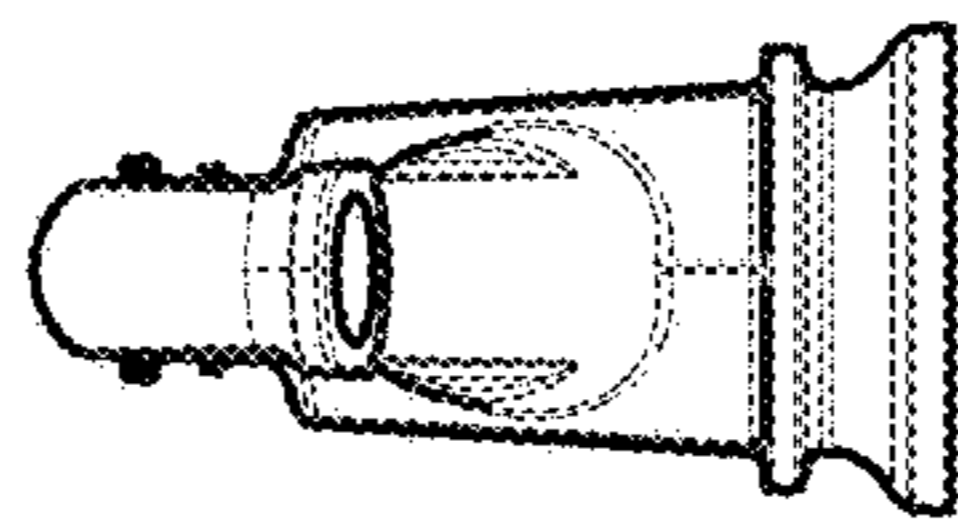
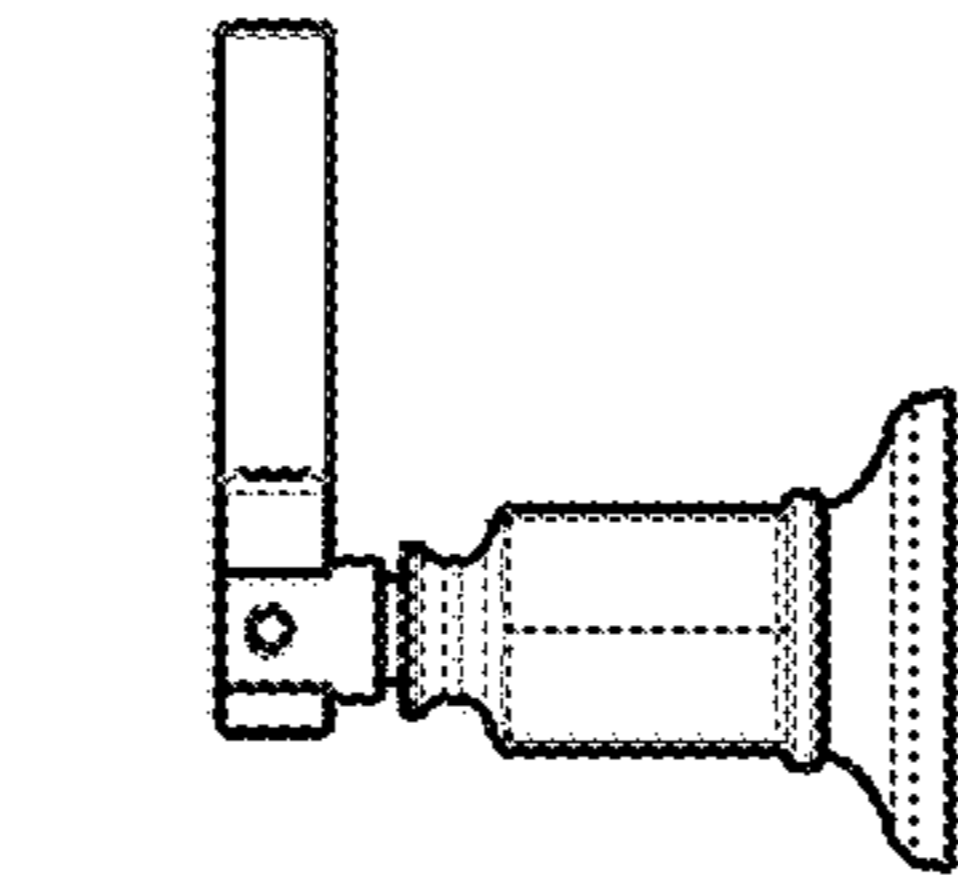
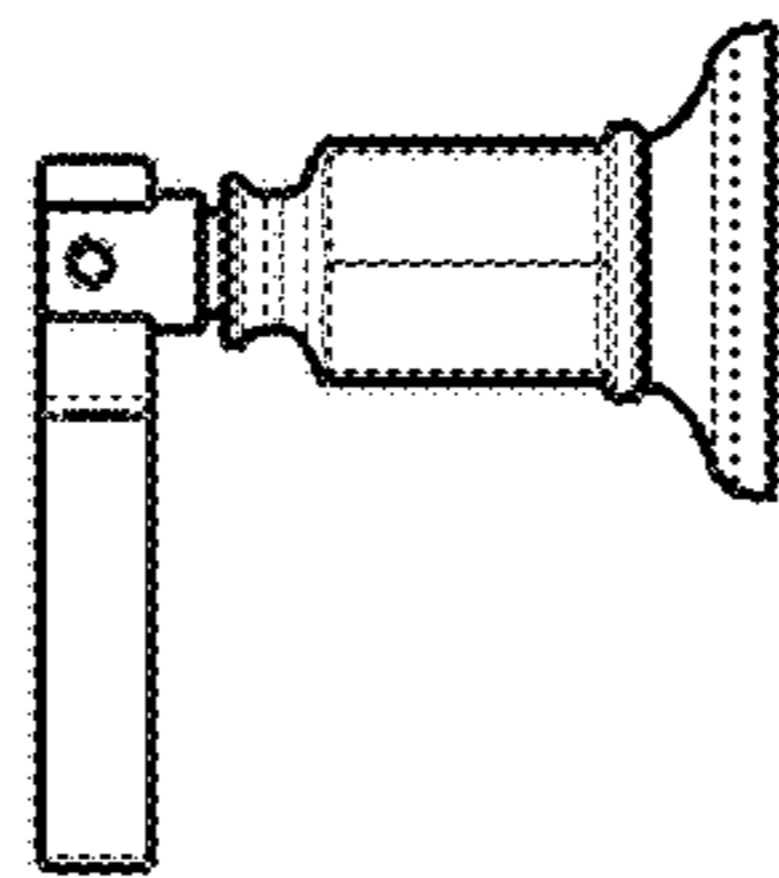


Fig. 3



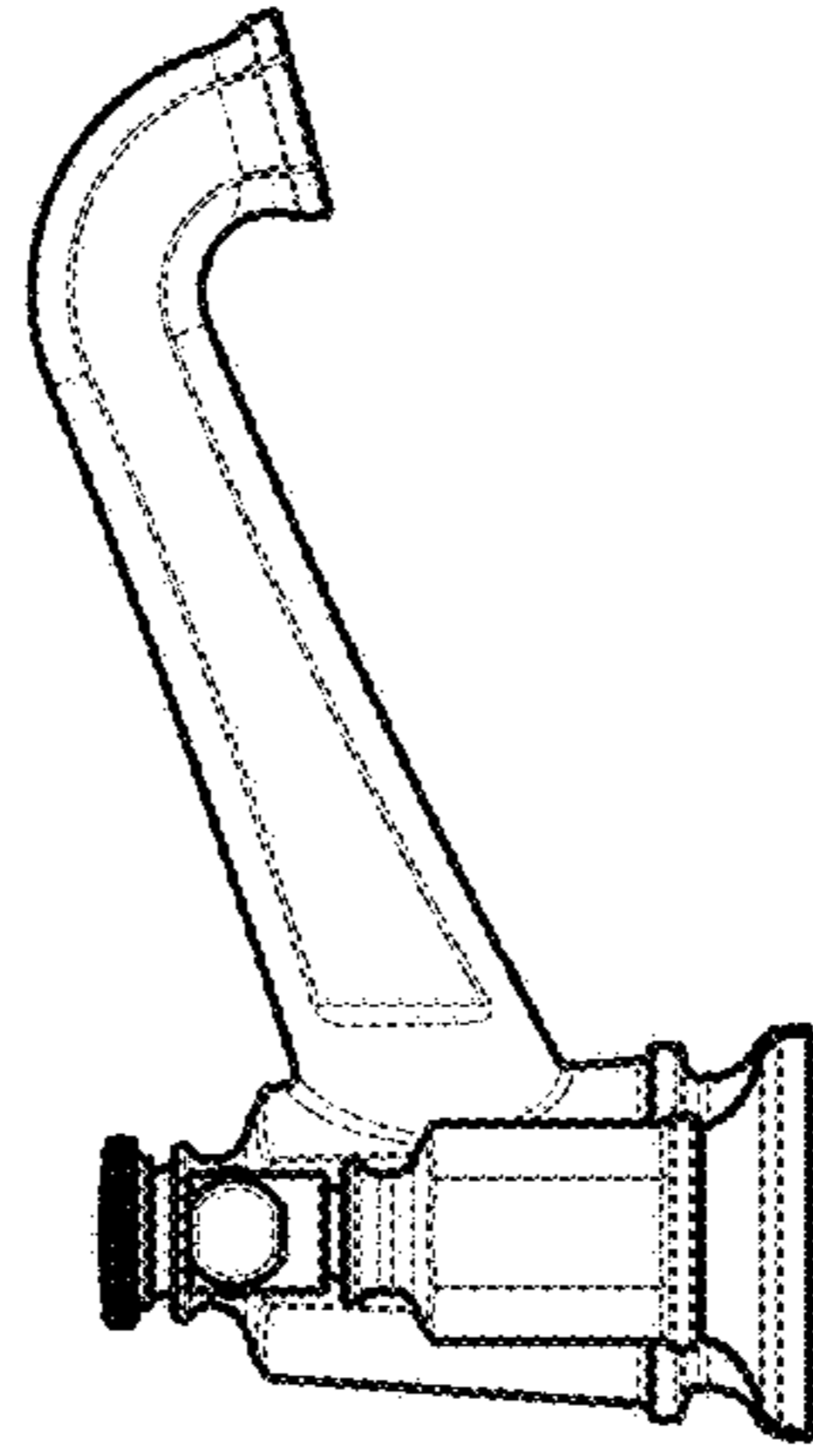


Fig. 6

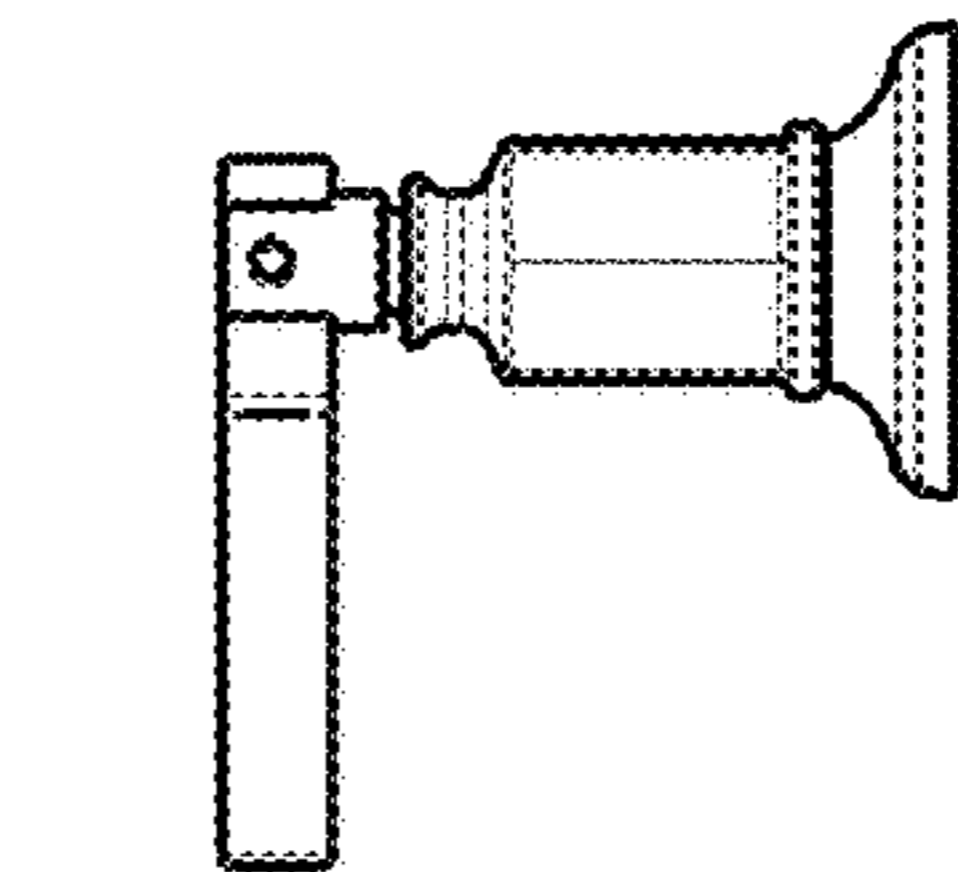
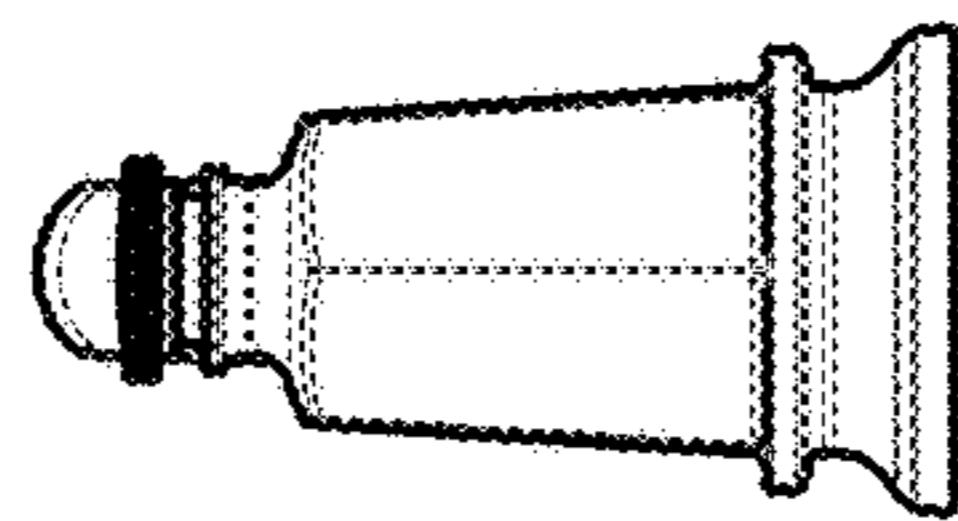
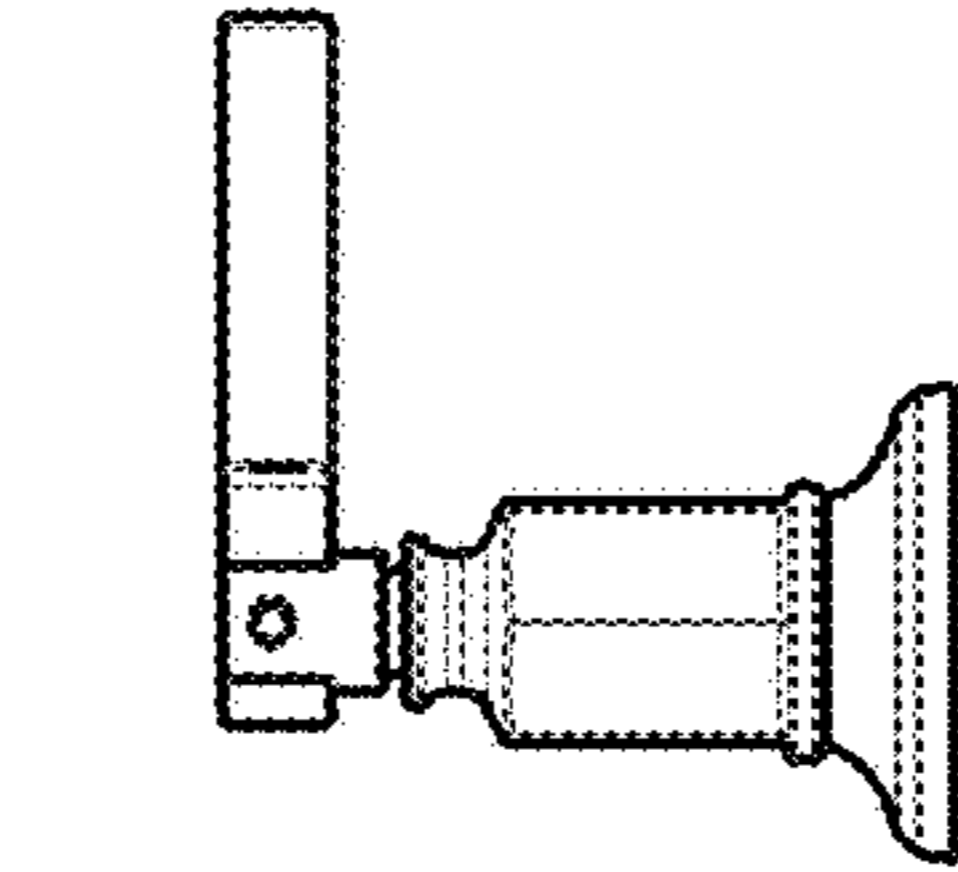


Fig. 5

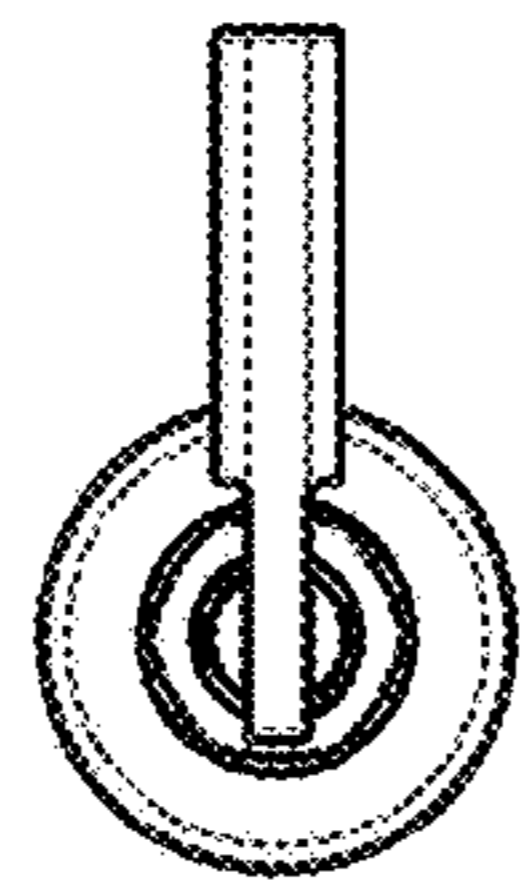


Fig. 7

