



US00D867535S

(12) **United States Design Patent**  
**Chen**

(10) **Patent No.:** **US D867,535 S**

(45) **Date of Patent:** **\*\* Nov. 19, 2019**

(54) **FAUCET**

(71) Applicant: **Yuangao Chen**, Ruian (CN)

(72) Inventor: **Hui Chen**, Ruian (CN)

(\*\*) Term: **15 Years**

(21) Appl. No.: **29/701,199**

(22) Filed: **Aug. 9, 2019**

(51) **LOC (12) Cl.** ..... **23-01**

(52) **U.S. Cl.**  
USPC ..... **D23/238**

(58) **Field of Classification Search**  
USPC ..... D23/238, 241–243, 255, 257  
See application file for complete search history.

(56) **References Cited**

**U.S. PATENT DOCUMENTS**

D460,150 S *	7/2002	Rexach	.....	D23/238
D499,795 S	12/2004	Bayer		
D518,558 S *	4/2006	Soriano	.....	D23/255
D574,469 S *	8/2008	Soriano	.....	D23/255
D645,937 S	9/2011	Sedwick		
D691,708 S	10/2013	Georgeson et al.		
D747,442 S	1/2016	Mazz et al.		

D795,393 S *	8/2017	Fritz	.....	D23/238
D810,880 S *	2/2018	Bahler	.....	D23/249
D810,882 S *	2/2018	Bahler	.....	D23/249
D858,714 S *	9/2019	Garland	.....	D23/249

\* cited by examiner

*Primary Examiner* — Robert A Delehanty

(74) *Attorney, Agent, or Firm* — Wayne V. Harper

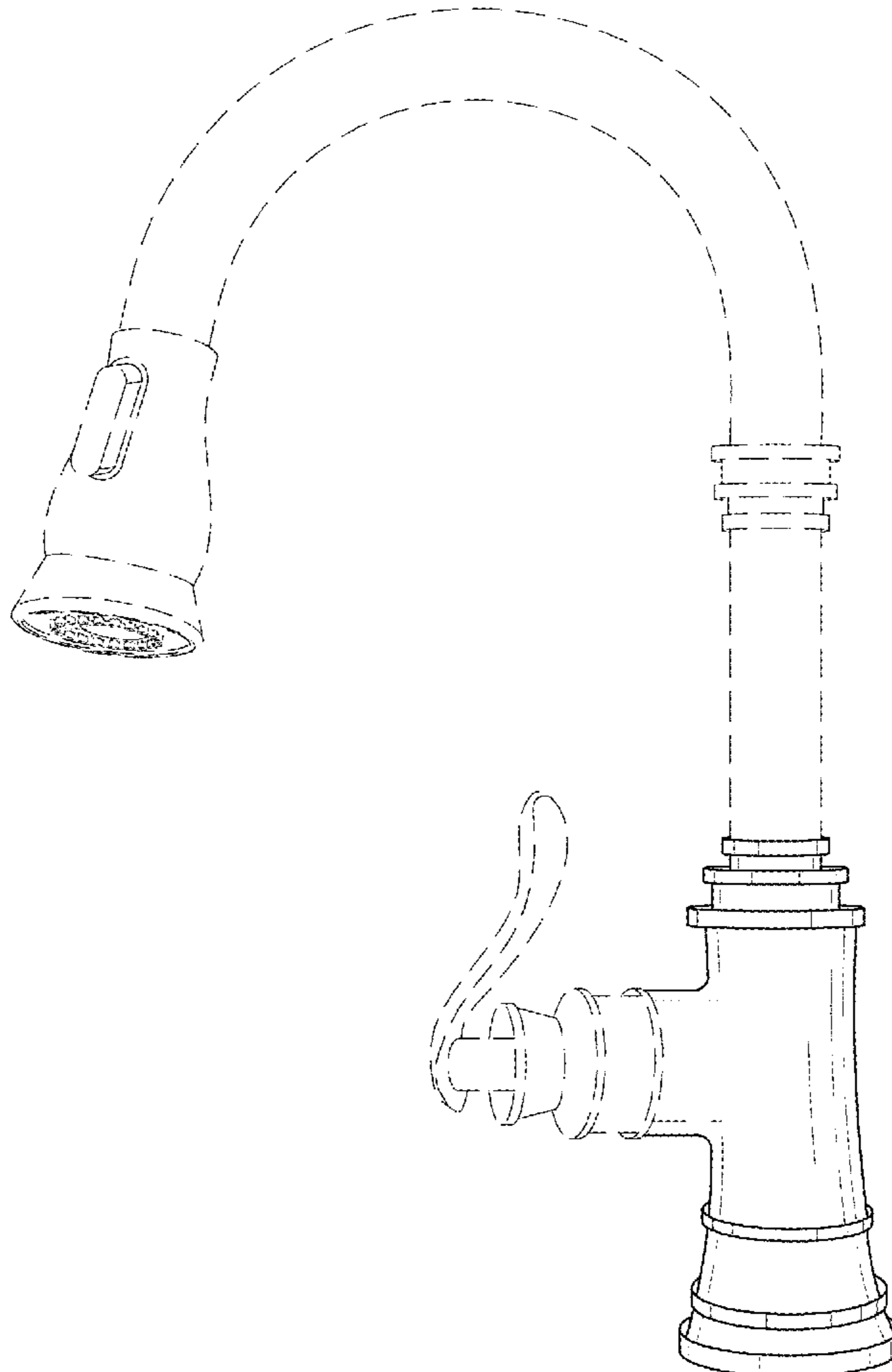
(57) **CLAIM**

I claim the ornamental design for a faucet, as shown and described.

**DESCRIPTION**

FIG. 1 is a Perspective view of a faucet showing my new design;  
 FIG. 2 is a Right-side view of the faucet as shown in FIG. 1;  
 FIG. 3 is a Left-side view of the faucet as shown in FIG. 1;  
 FIG. 4 is a Front view of the faucet as shown in FIG. 1;  
 FIG. 5 is a Back view of the faucet as shown in FIG. 1;  
 FIG. 6 is a Top view of the faucet as shown in FIG. 1; and,  
 FIG. 7 is Bottom view of the faucet as shown in FIG. 1.  
 The broken lines are only for environmental purposes and form no part of the claimed design.

**1 Claim, 6 Drawing Sheets**



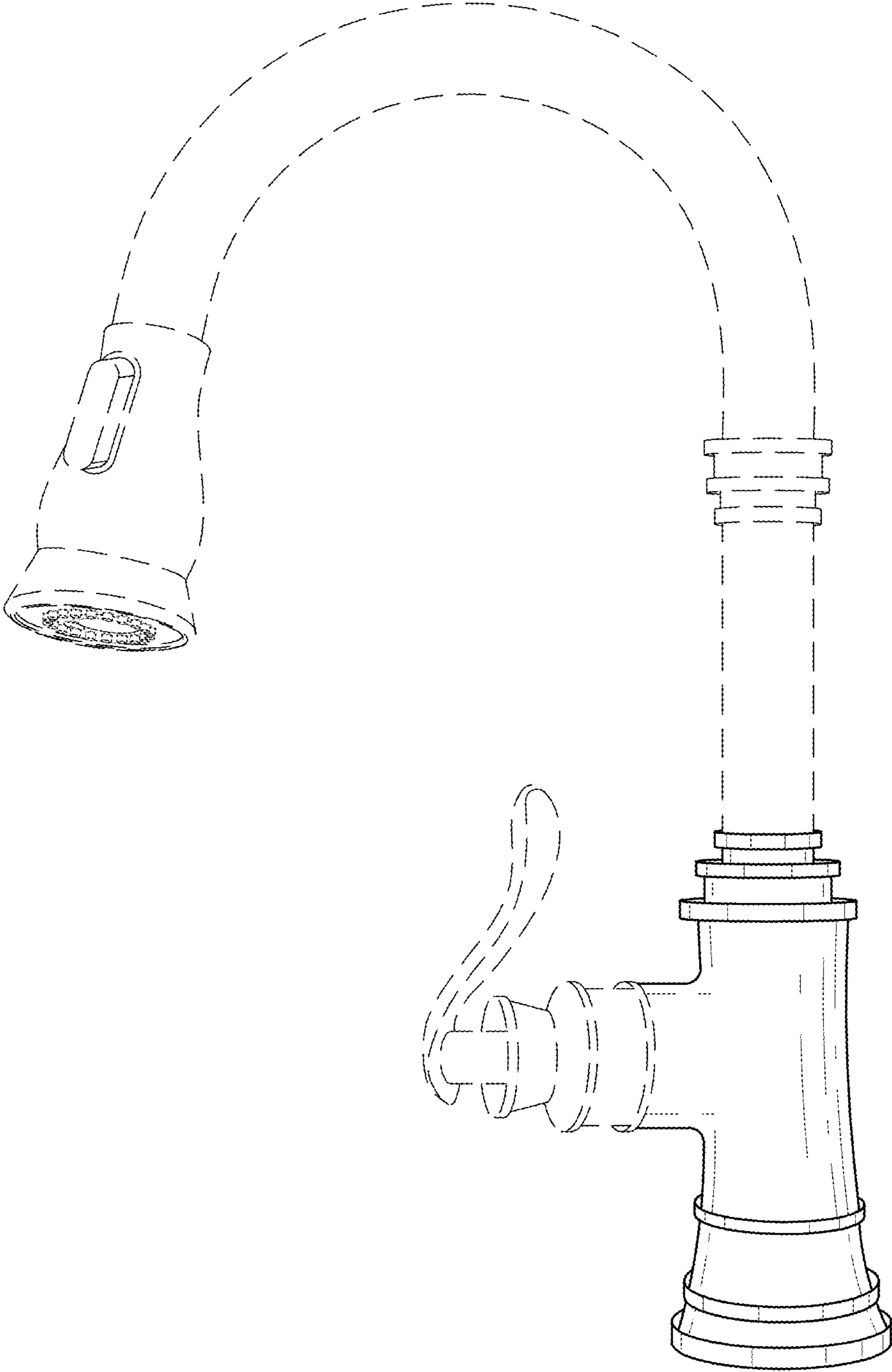


FIG. 1

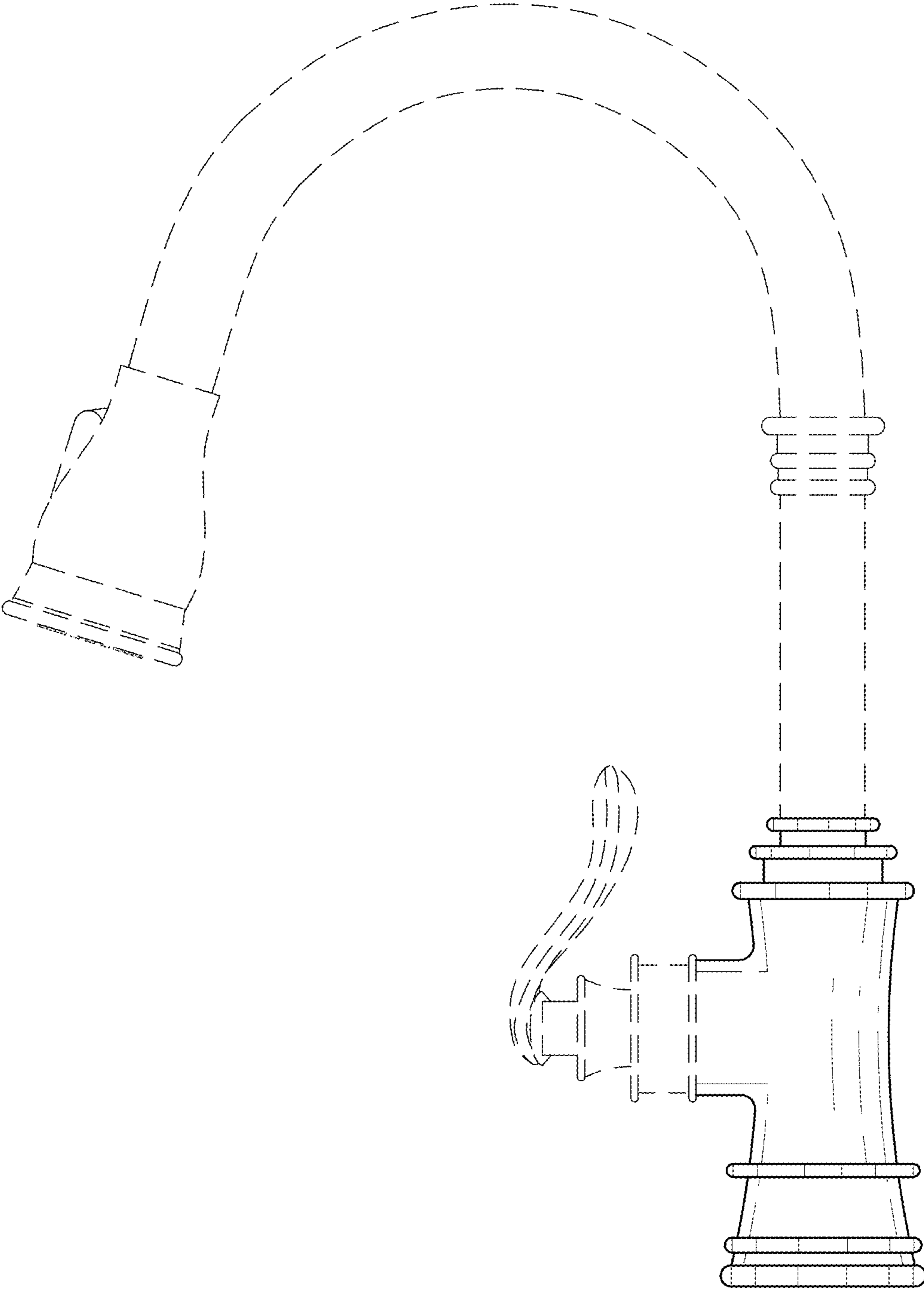


FIG. 2

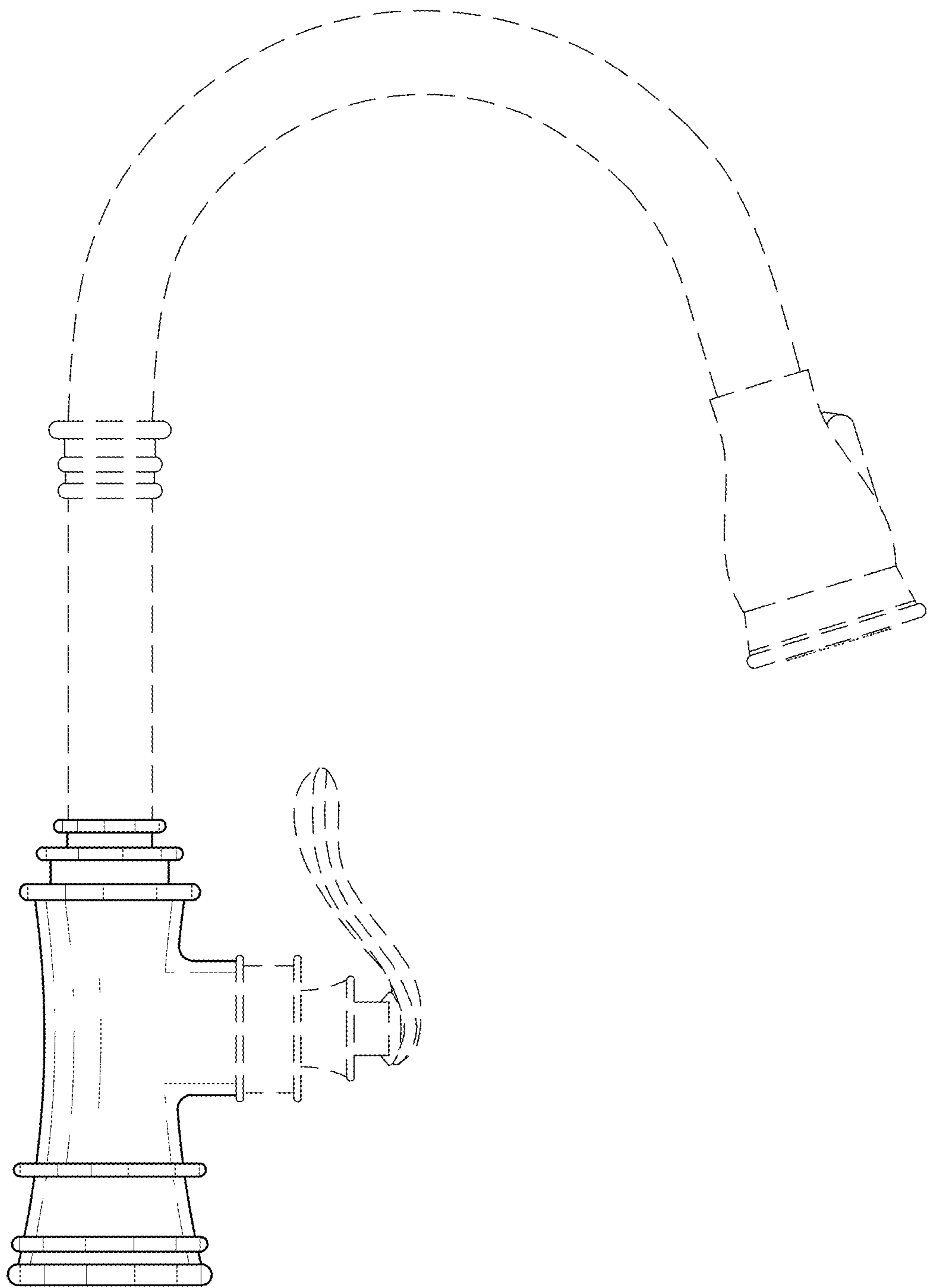


FIG. 3

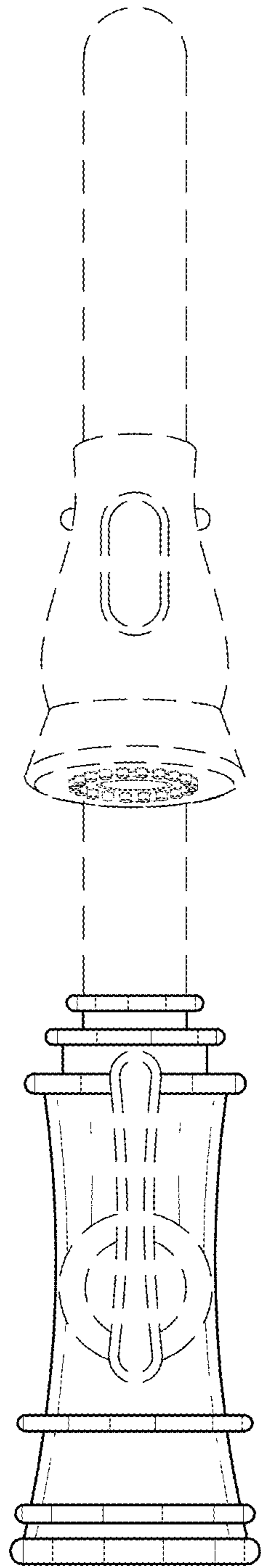


FIG. 4

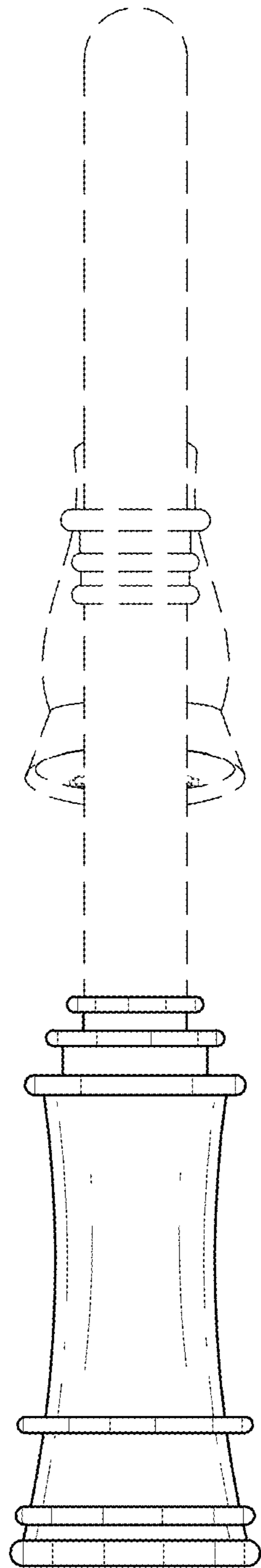


FIG. 5

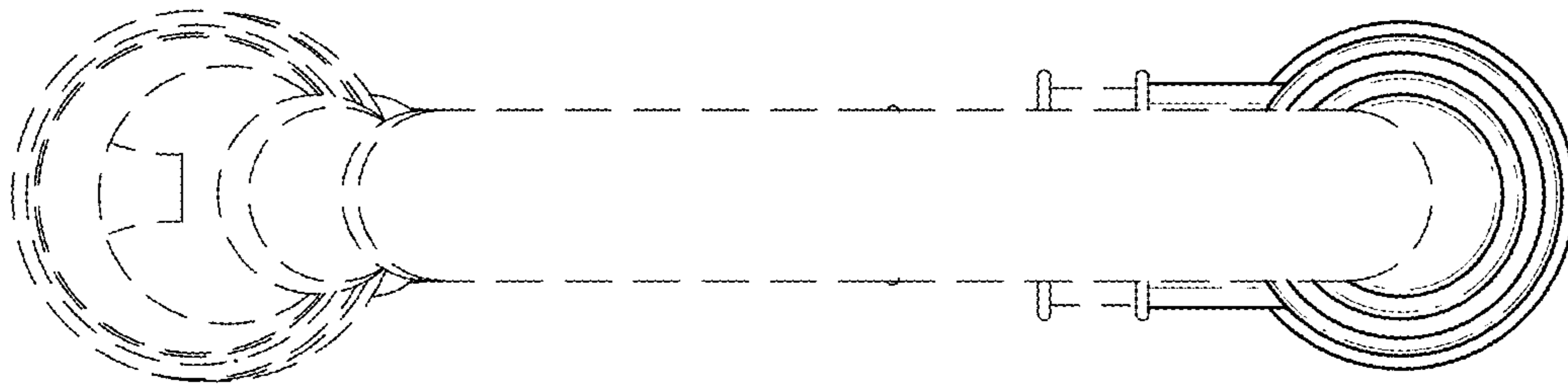


FIG. 6

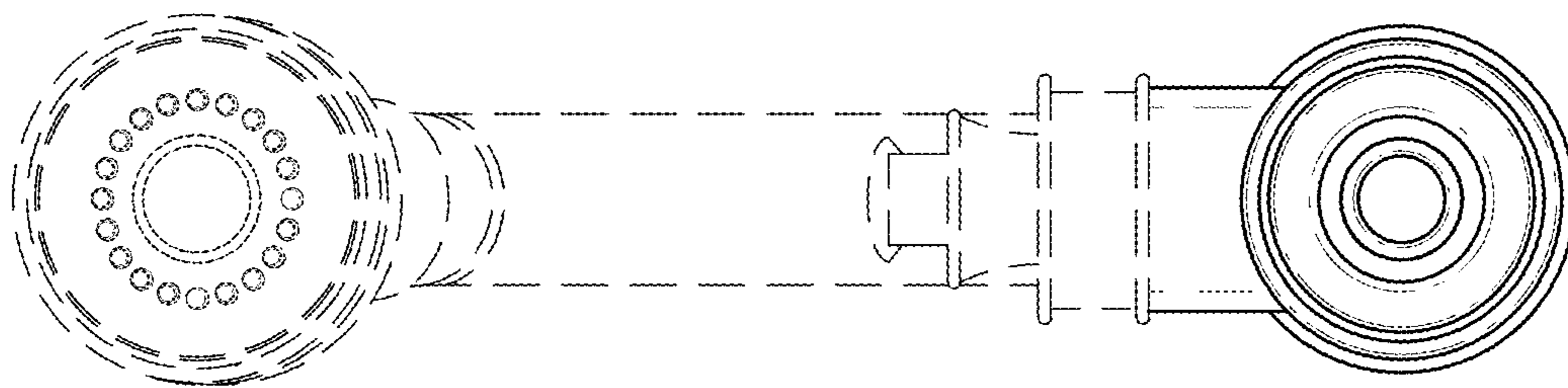


FIG. 7