

US00D867533S

(12) **United States Design Patent** (10) **Patent No.:** **US D867,533 S**
Garland (45) **Date of Patent:** **** Nov. 19, 2019**

(54) **FAUCET**

(71) Applicant: **DELTA FAUCET COMPANY,**
Indianapolis, IN (US)

(72) Inventor: **Celine Kwok Garland,** Zionsville, IN
(US)

(73) Assignee: **DELTA FAUCET COMPANY,**
Indianapolis, IN (US)

(**) Term: **15 Years**

(21) Appl. No.: **29/634,144**

(22) Filed: **Jan. 18, 2018**

(51) **LOC (12) Cl.** **23-01**

(52) **U.S. Cl.**
USPC **D23/238**

(58) **Field of Classification Search**
USPC D23/238-243, 249, 255, 257, 250, 252,
D23/254, 245; D8/307-308
CPC F16K 31/60; F16K 31/602; F16K 31/605;
F16K 31/607; E03C 1/0412
See application file for complete search history.

(56) **References Cited**

U.S. PATENT DOCUMENTS

691,569 A * 1/1902 Pohlman F16K 31/602
251/246
D460,160 S * 7/2002 Singtoroj D23/252

D522,344 S * 6/2006 Gilbert D8/308
D527,444 S * 8/2006 Gilbert D23/255
D566,817 S * 4/2008 Isaacs D23/255
D581,020 S * 11/2008 Dolan D23/250
D615,627 S * 5/2010 Sofield D23/252
D616,069 S * 5/2010 Krause D23/239
D683,825 S * 6/2013 Sofield D23/255
D685,878 S * 7/2013 Fritz D23/238
D718,424 S * 11/2014 Smith D23/255
D803,986 S * 11/2017 Schoenherr D23/238
D806,832 S * 1/2018 Schoenherr D23/238
D828,519 S * 9/2018 Garland D23/254

* cited by examiner

Primary Examiner — Robert A Delehanty

(74) *Attorney, Agent, or Firm* — Edgar A. Zarins; Nirav
D. Parikh

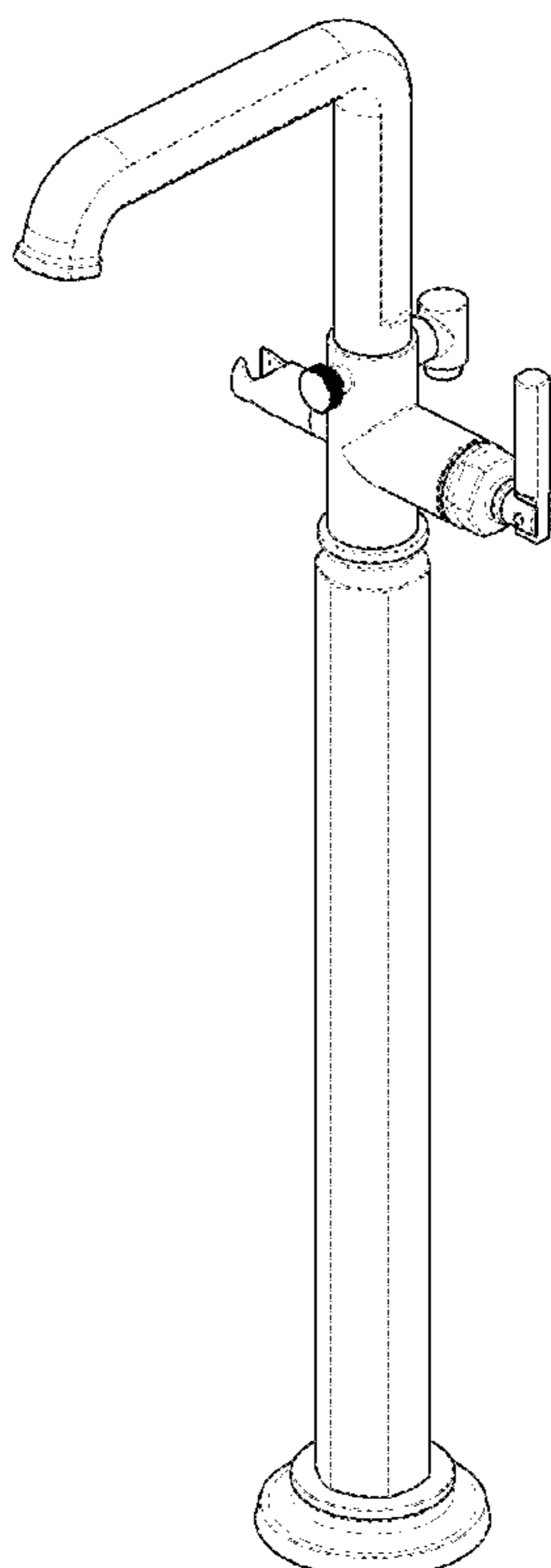
(57) **CLAIM**

The ornamental design for a faucet, as shown and described.

DESCRIPTION

FIG. 1 is a front perspective view of a faucet showing my
new design;
FIG. 2 is a rear perspective view thereof;
FIG. 3 is a front elevational view thereof;
FIG. 4 is a left side view thereof;
FIG. 5 is a rear view thereof;
FIG. 6 is a right side view thereof; and,
FIG. 7 is a top plan view thereof.

1 Claim, 4 Drawing Sheets



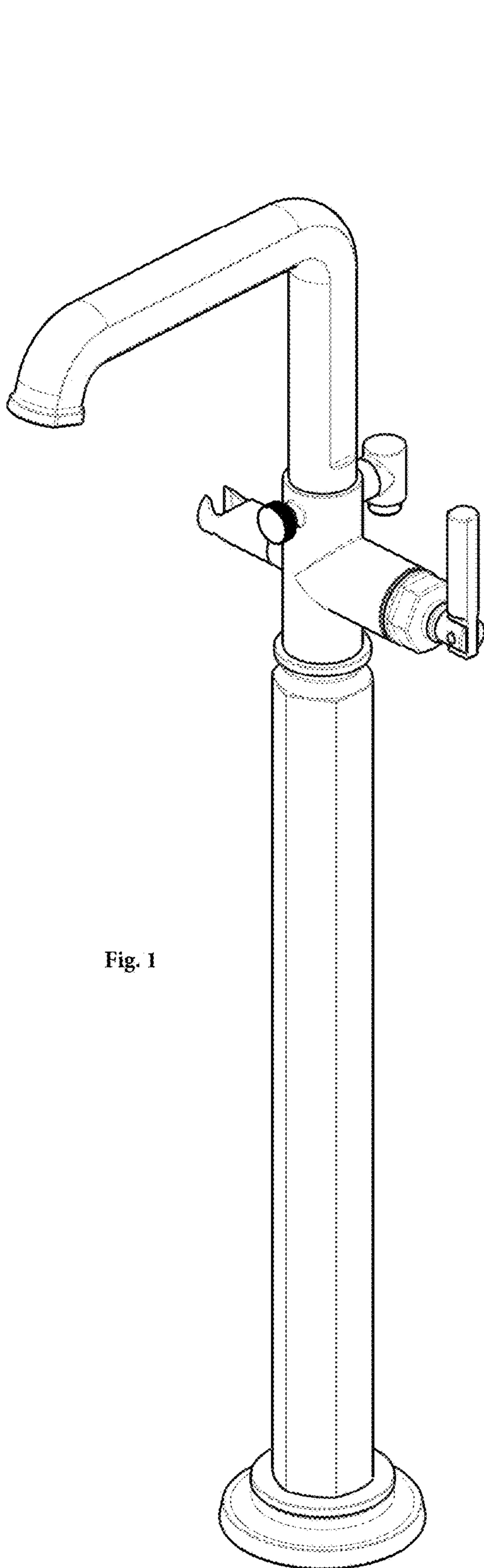


Fig. 1

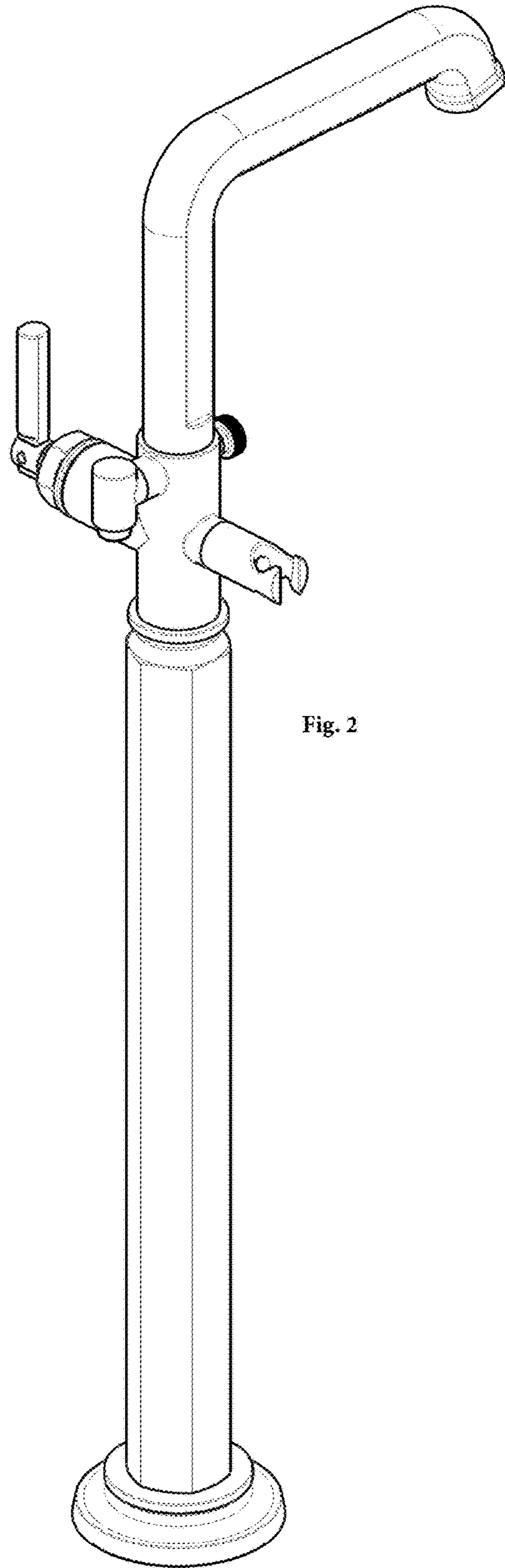


Fig. 2

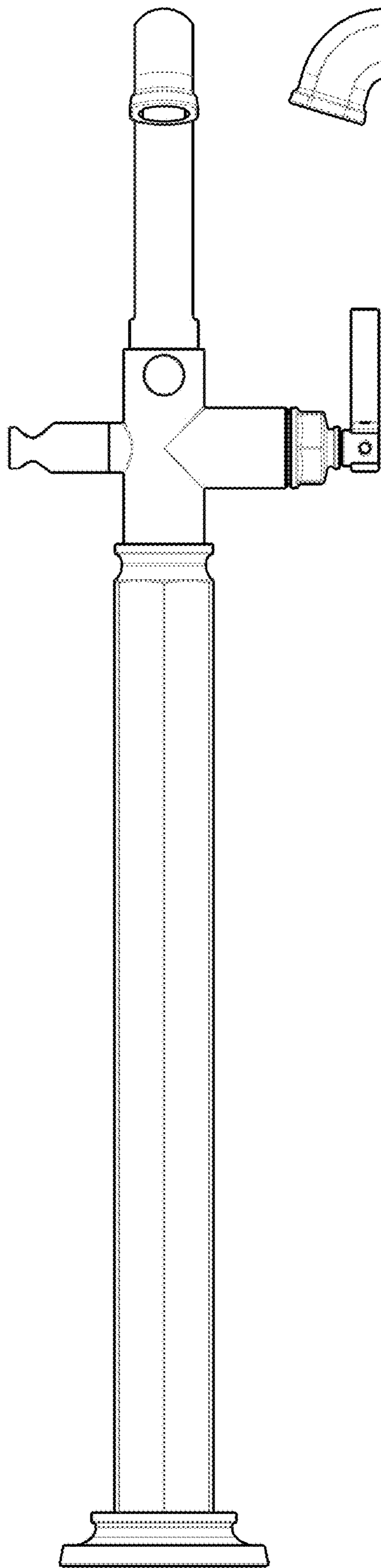


Fig. 3

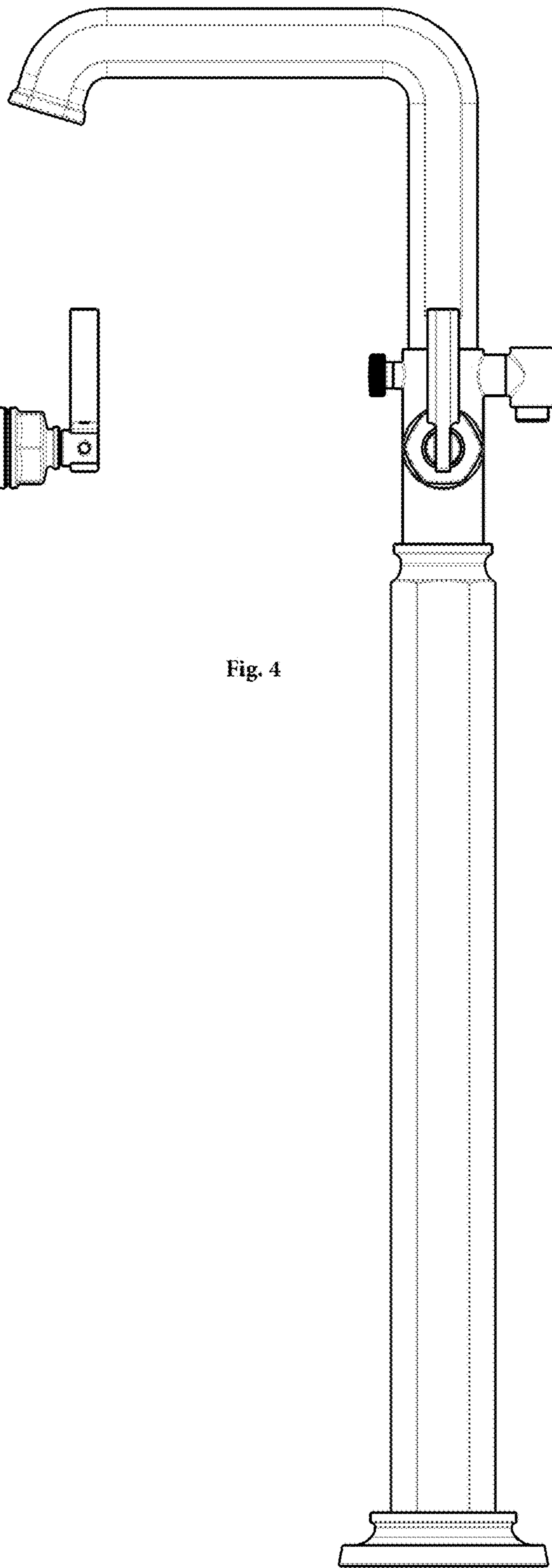


Fig. 4

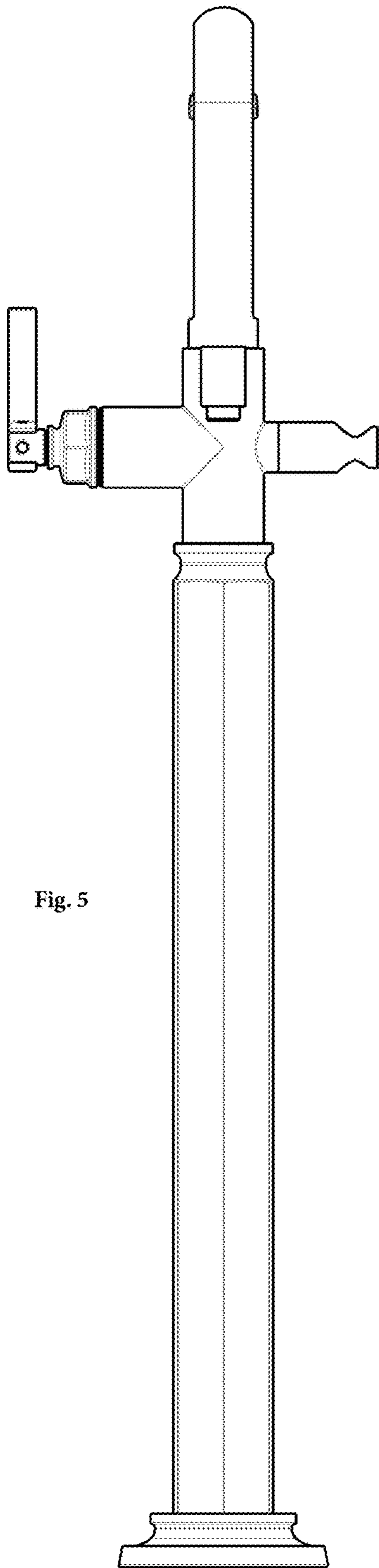


Fig. 5

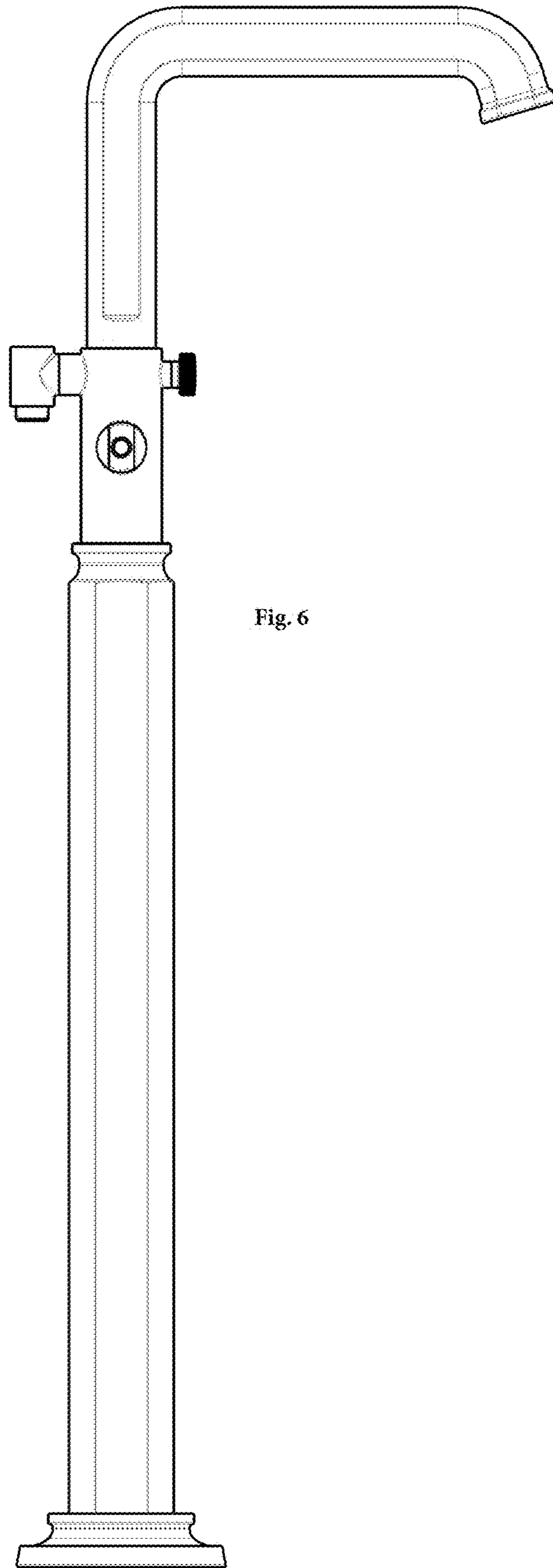


Fig. 6

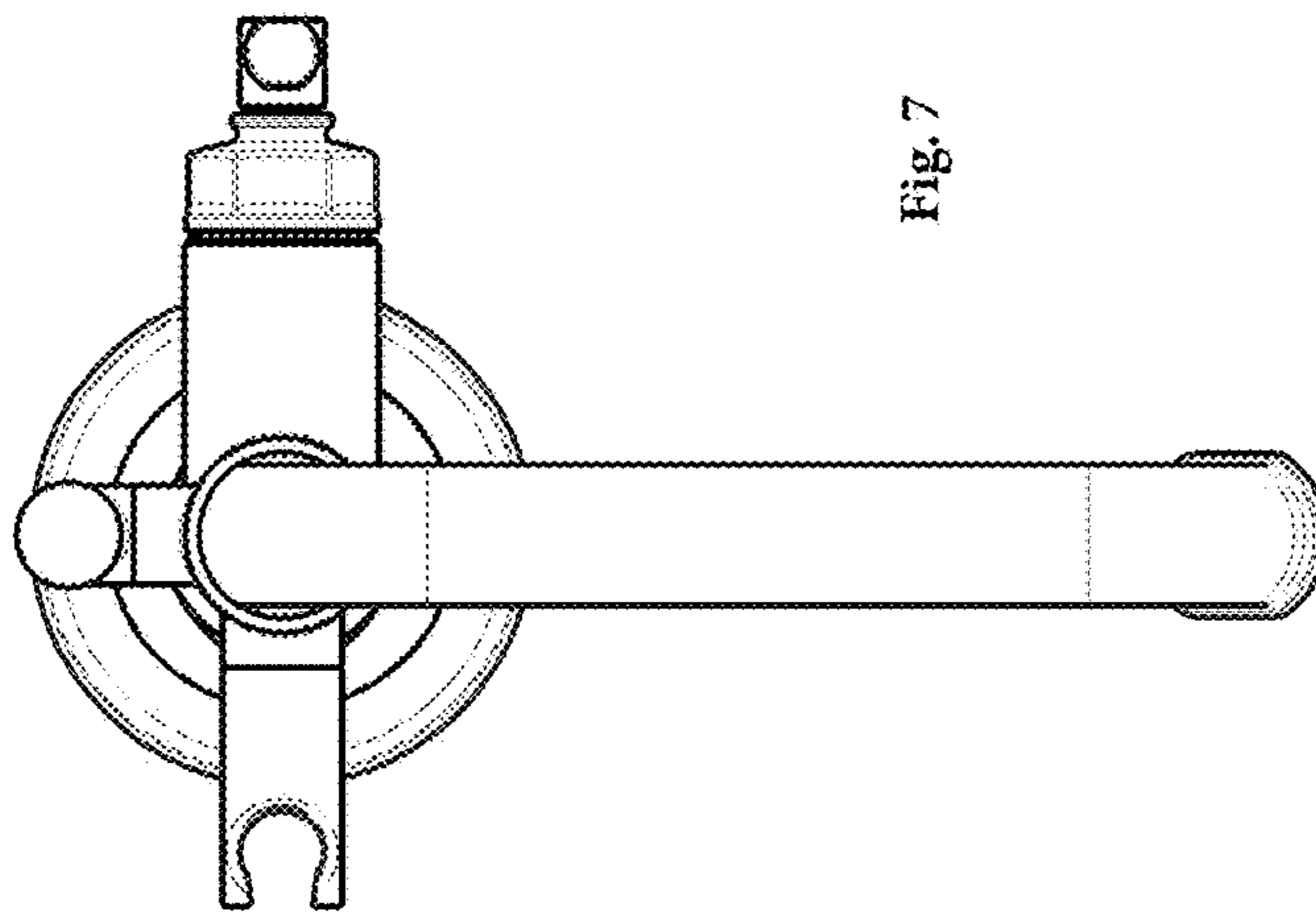


Fig. 7