



US00D867532S

(12) **United States Design Patent**
Liao

(10) **Patent No.:** **US D867,532 S**

(45) **Date of Patent:** **** Nov. 19, 2019**

(54) **FAUCET**

(71) Applicant: **DELTA FAUCET COMPANY**,
Indianapolis, IN (US)

(72) Inventor: **Song Qing Liao**, Guangdong (CN)

(73) Assignee: **DELTA FAUCET COMPANY**,
Indianapolis, IN (US)

(**) Term: **15 Years**

(21) Appl. No.: **29/628,572**

(22) Filed: **Dec. 6, 2017**

(51) **LOC (12) Cl.** **23-01**

(52) **U.S. Cl.**
USPC **D23/238**

(58) **Field of Classification Search**
USPC D23/238-243, 255, 257, 250, 252, 254;
D8/307-308

CPC F16K 31/602; F16K 31/605; F16K 31/607;
E03C 1/0412

See application file for complete search history.

(56) **References Cited**

U.S. PATENT DOCUMENTS

D737,936 S * 9/2015 Pony D23/238
D754,301 S * 4/2016 Bahler D23/255

D754,820 S * 4/2016 Bahler D23/238
D762,285 S * 7/2016 Jepson D23/238
D797,257 S * 9/2017 Potter D23/255

* cited by examiner

Primary Examiner — Robert A Delehanty

(74) *Attorney, Agent, or Firm* — Edgar A. Zarins; Nirav
D. Parikh

(57) **CLAIM**

The ornamental design for a faucet, as shown and described.

DESCRIPTION

FIG. 1 is a perspective view of a faucet showing my new
design;

FIG. 2 is a left side view thereof;

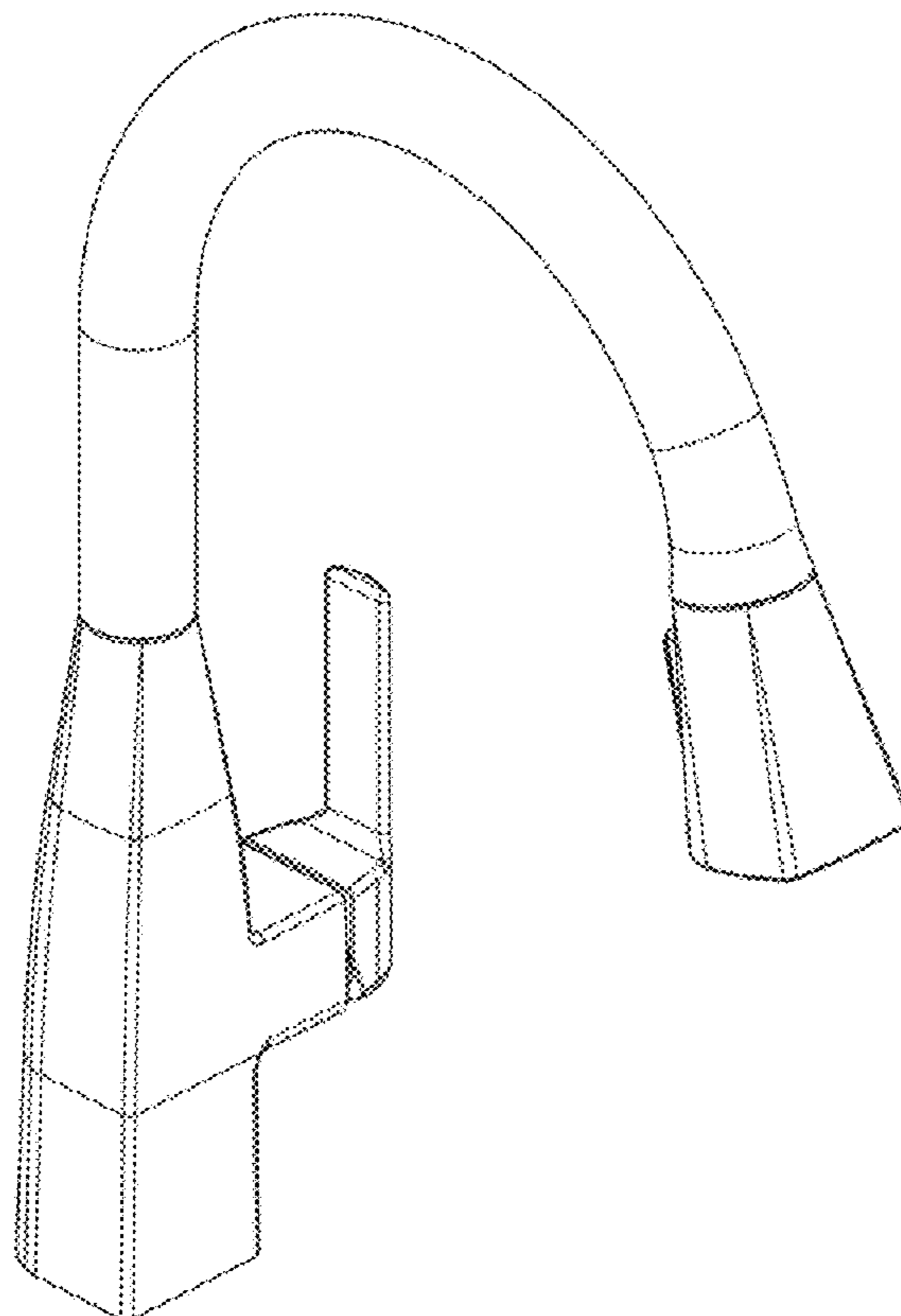
FIG. 3 is a front elevational view thereof;

FIG. 4 is a right side view thereof;

FIG. 5 is a top plan view thereof; and,

FIG. 6 is a rear view thereof.

1 Claim, 3 Drawing Sheets



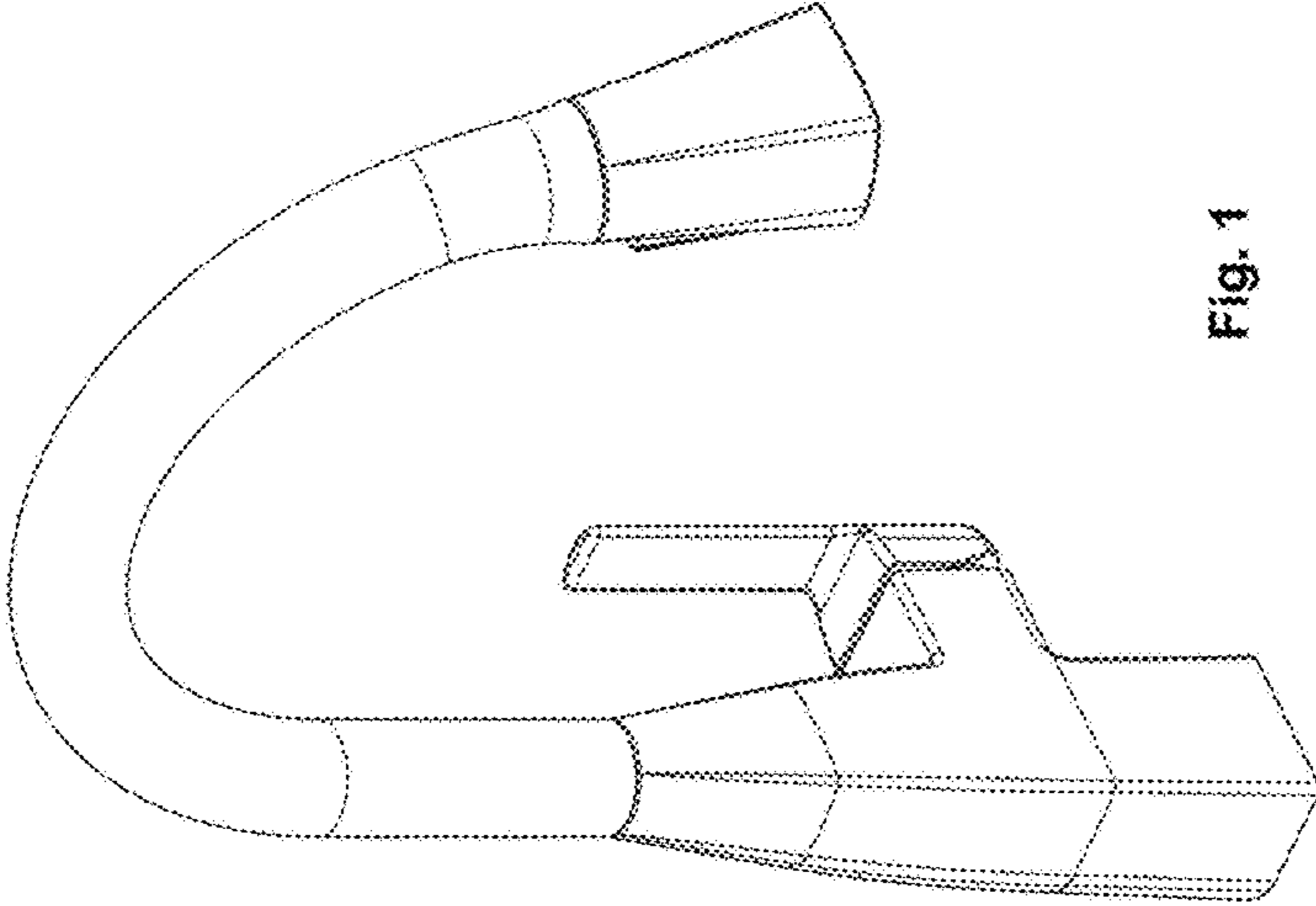


Fig. 1

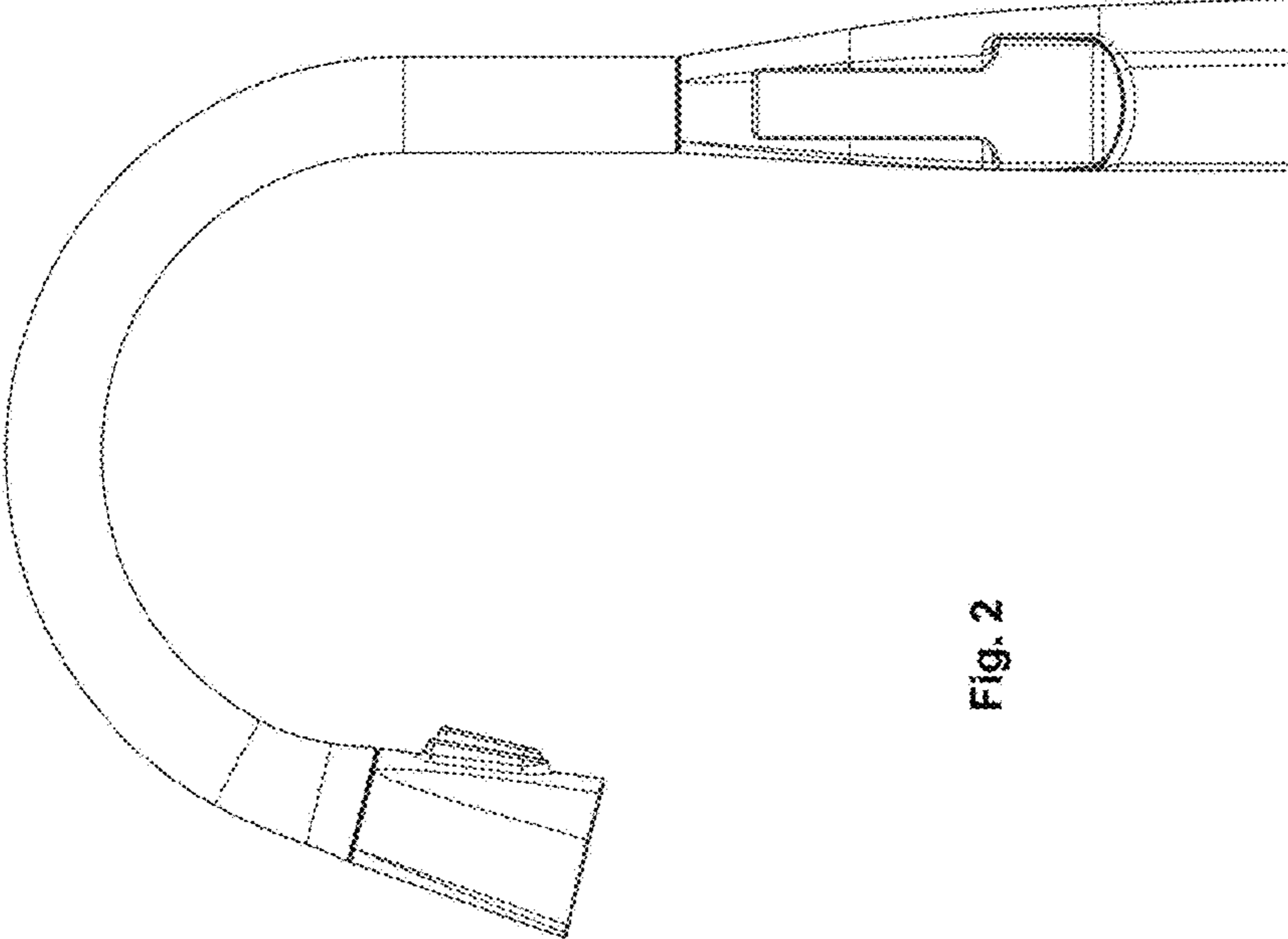


Fig. 2

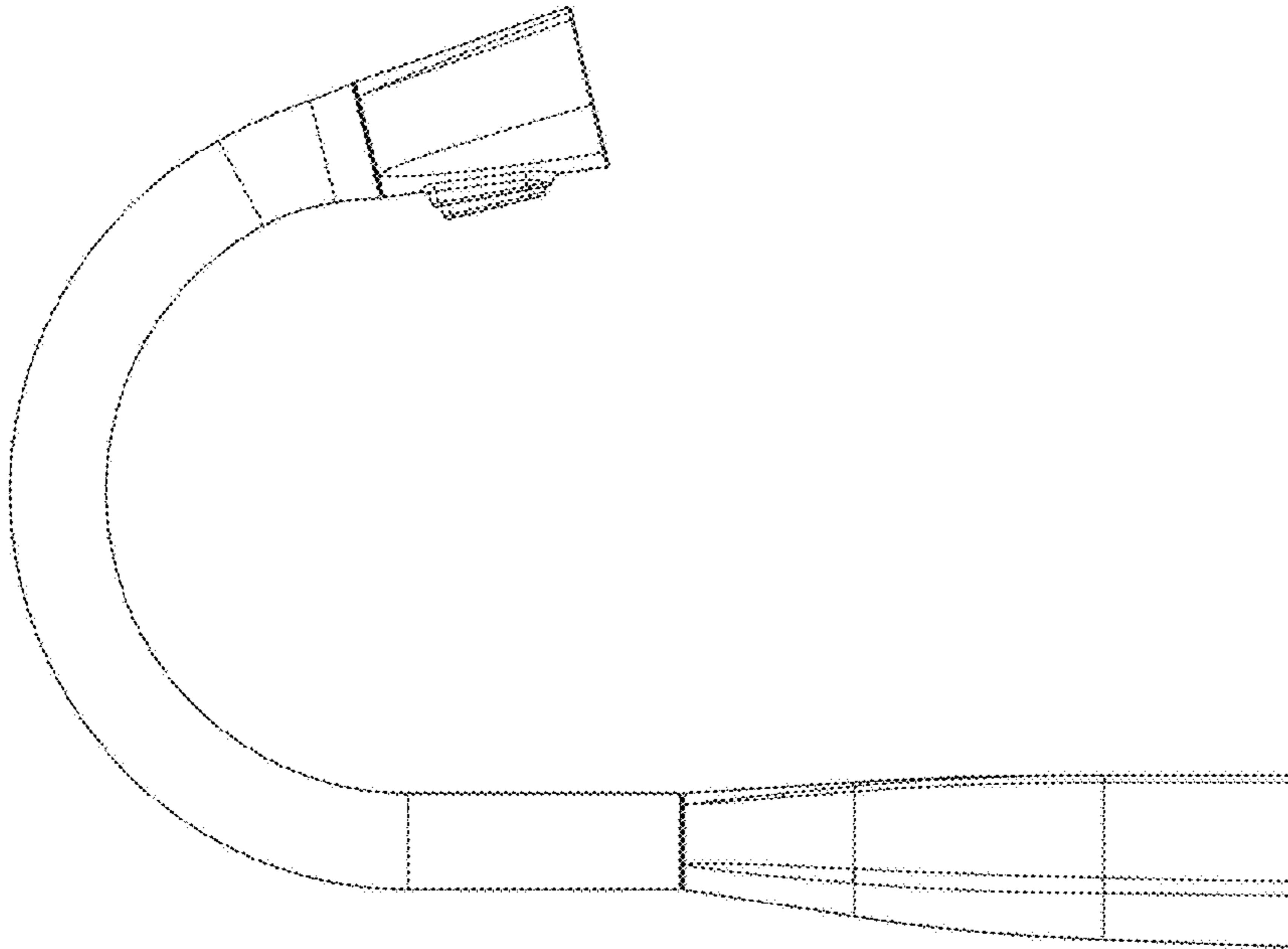


Fig. 4

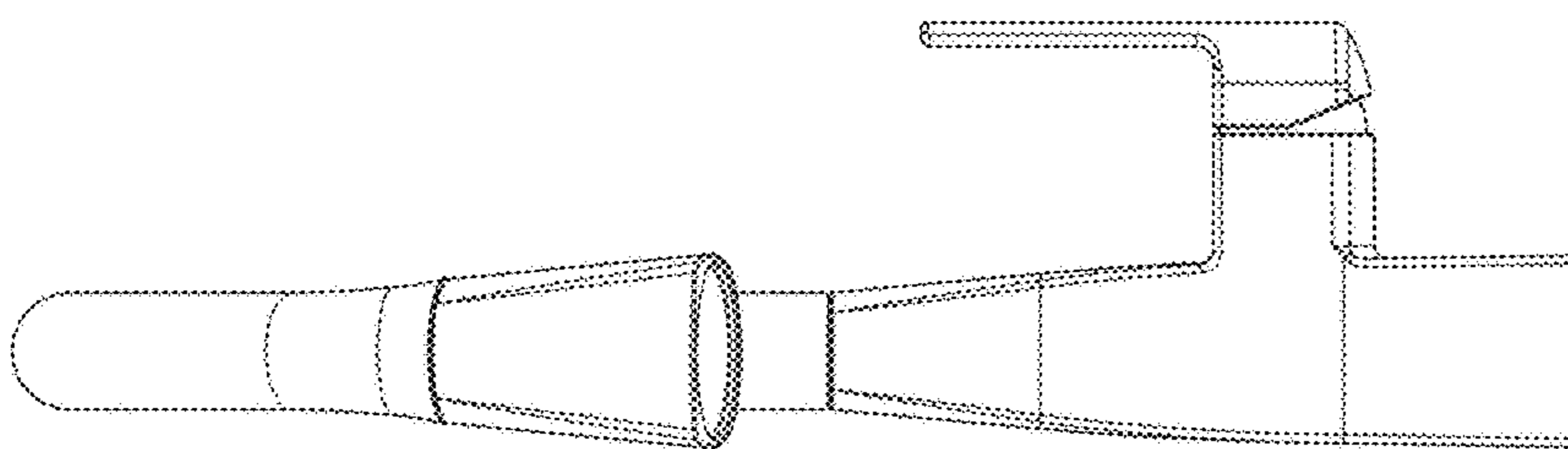


Fig. 3

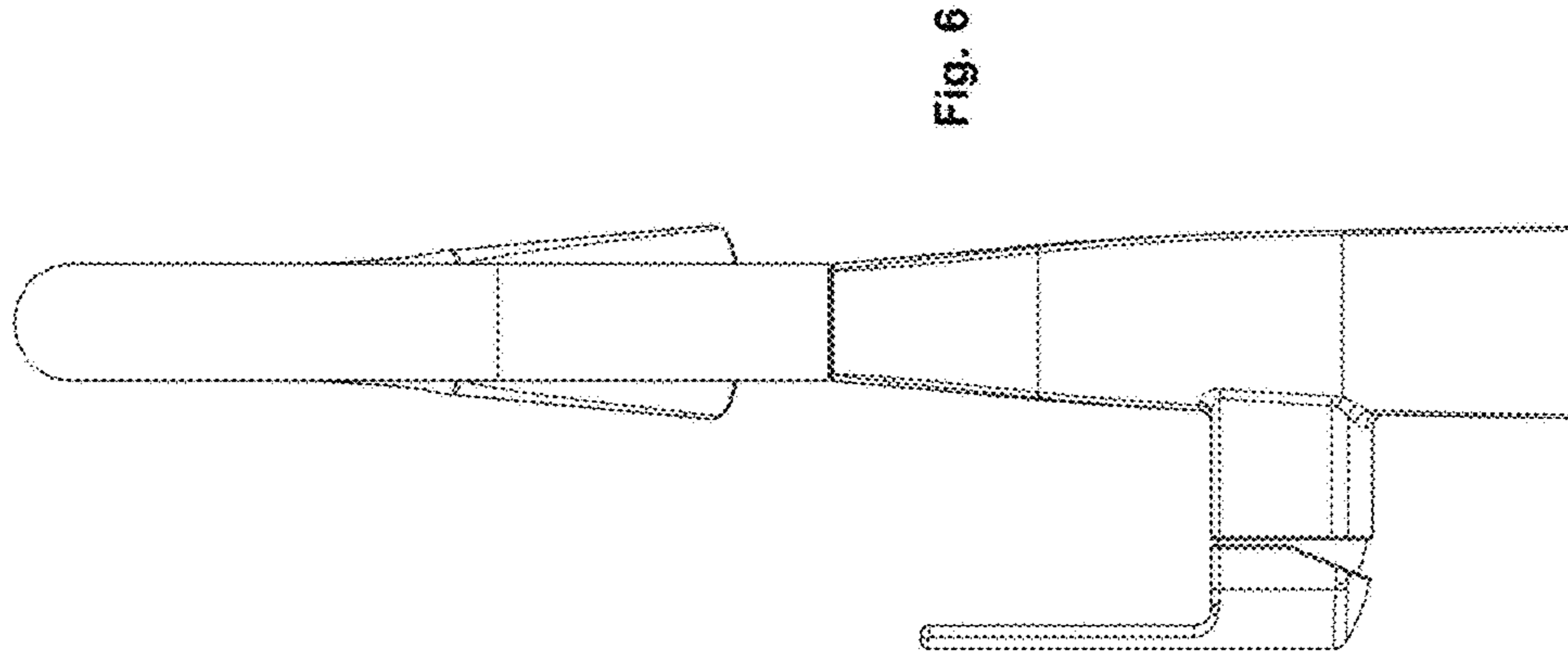


Fig. 6

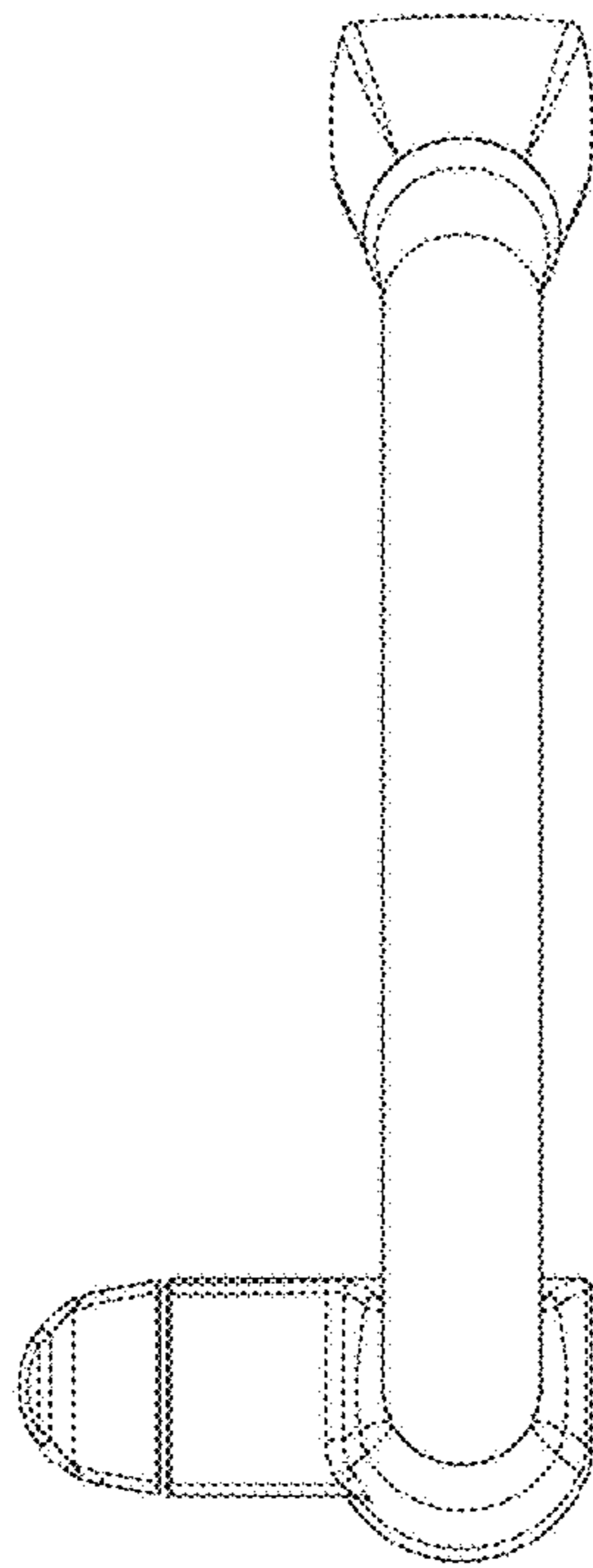


Fig. 5