

US00D867531S

(12) **United States Design Patent** (10) **Patent No.:** **US D867,531 S**  
**Bayyouk et al.** (45) **Date of Patent:** **\*\* Nov. 19, 2019**

(54) **VALVE MEMBER**

(56) **References Cited**

(71) Applicant: **S.P.M. FLOW CONTROL, INC.**, Fort Worth, TX (US)  
(72) Inventors: **Jacob A. Bayyouk**, Richardson, TX (US); **Charles Hensley**, Burleson, TX (US)  
(73) Assignee: **S.P.M. Flow Control, Inc.**, Fort Worth, TX (US)  
(\*\*) Term: **15 Years**  
(21) Appl. No.: **29/674,542**  
(22) Filed: **Dec. 21, 2018**

U.S. PATENT DOCUMENTS

1,571,022 A	1/1926	Obert	
4,180,097 A	12/1979	Sjoberg	
D546,921 S *	7/2007	Kobayashi	D23/233
D631,945 S *	2/2011	Shorey	D23/233
D648,000 S *	11/2011	Shimura	D23/233
D648,418 S *	11/2011	Kobayashi	D23/233
D648,419 S *	11/2011	Shimura	D23/233
D649,222 S *	11/2011	Kobayashi	D23/233
D683,816 S *	6/2013	Kobayashi	D23/233
D683,818 S *	6/2013	Kobayashi	D23/233
D683,819 S *	6/2013	Watanabe	D23/233
D683,820 S *	6/2013	Watanabe	D23/233
D693,430 S *	11/2013	Kaneko	D23/233

(Continued)

**Related U.S. Application Data**

(63) Continuation of application No. 29/616,080, filed on Sep. 1, 2017, now Pat. No. Des. 840,504, which is a continuation of application No. 29/556,055, filed on Feb. 26, 2016, now Pat. No. Des. 796,632, application No. 29/674,542, which is a continuation of application No. 15/200,913, filed on Jul. 1, 2016, now Pat. No. 10,221,848, which is a continuation-in-part of application No. 29/556,055, filed on Feb. 26, 2016, now Pat. No. Des. 796,632.

(51) **LOC (12) Cl.** ..... **23-01**

(52) **U.S. Cl.**  
USPC ..... **D23/233**

(58) **Field of Classification Search**  
USPC ..... D23/233, 234, 235, 236, 237, 238, 239, D23/240, 241, 242, 243, 244, 245, 246, D23/247, 248, 249, 250, 259, 255; 4/255.03, 420, 440, 661; 137/1, 14, 50, 137/57, 596.14, 487.5, 625.64, 557, 558, 137/554, 217; D10/85; 141/64, 198, 141/294; 251/332, 333, 282  
CPC ..... F16K 1/36; F16K 15/02; F16K 15/023  
See application file for complete search history.

OTHER PUBLICATIONS

Weir, "Novatech Well Service Valves & Seats", Mar. 6, 2019. <https://www.global.weir/products/product-catalogue/novatech-full-open-well-service-valves-and-seats/>. Shown on p. 1. (Year: 2019).\*

*Primary Examiner* — Cynthia Ramirez  
*Assistant Examiner* — Michael A Maharajh  
(74) *Attorney, Agent, or Firm* — Foley & Lardner LLP

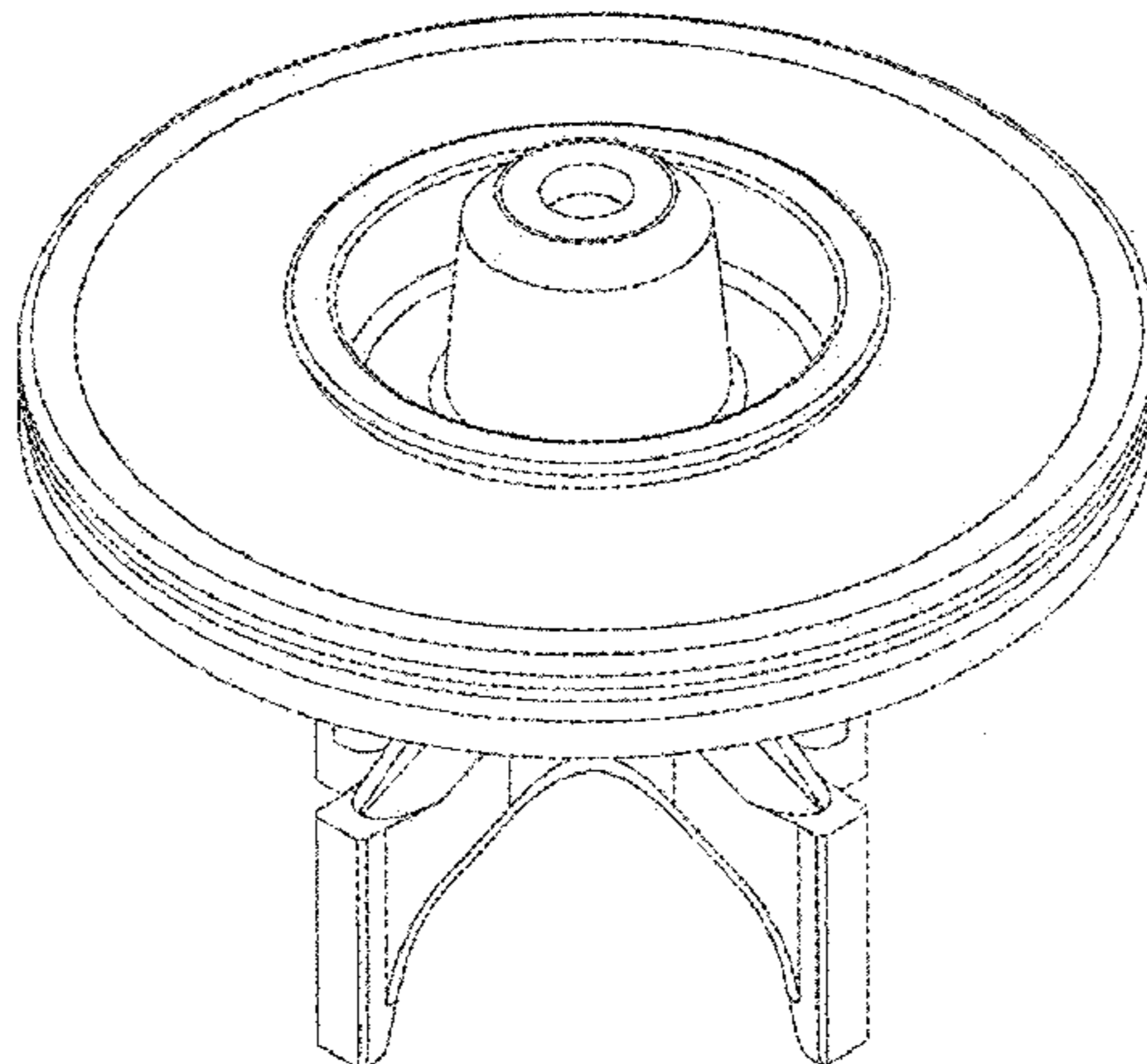
(57) **CLAIM**

The ornamental design for a valve member, as shown and described.

**DESCRIPTION**

FIG. 1 is a top perspective view of a valve member showing our new design;  
FIG. 2 is a bottom perspective view thereof;  
FIG. 3 is a top plan view thereof;  
FIG. 4 is a bottom plan view thereof;  
FIG. 5 is a front elevational view, the rear, left and right elevational views are mirror images thereof; and,  
FIG. 6 is another elevational view thereof.

**1 Claim, 3 Drawing Sheets**



(56)

**References Cited**

U.S. PATENT DOCUMENTS

D694,362	S	*	11/2013	Kaneko	.....	D23/233
D701,292	S	*	3/2014	Kaneko	.....	D23/233
D706,393	S	*	6/2014	Kaneko	.....	D23/233
D712,010	S	*	8/2014	Okutsu	.....	D23/233
D720,045	S	*	12/2014	Landi	.....	D23/233
D754,817	S	*	4/2016	Dille	.....	D23/233
D754,818	S	*	4/2016	Watanabe	.....	D23/233
D764,027	S	*	8/2016	Yin	.....	D23/233
D782,009	S	*	3/2017	Watanabe	.....	D23/233
D794,163	S	*	8/2017	Jones	.....	D23/233
D796,632	S	*	9/2017	Bayyouk	.....	D23/233
D799,640	S	*	10/2017	Satake	.....	D23/233
D840,504	S	*	2/2019	Bayyouk	.....	D23/233
2015/0144826	A1		5/2015	Bayyouk et al.		
2017/0002947	A1	*	1/2017	Bayyouk	.....	F04B 53/1087

\* cited by examiner

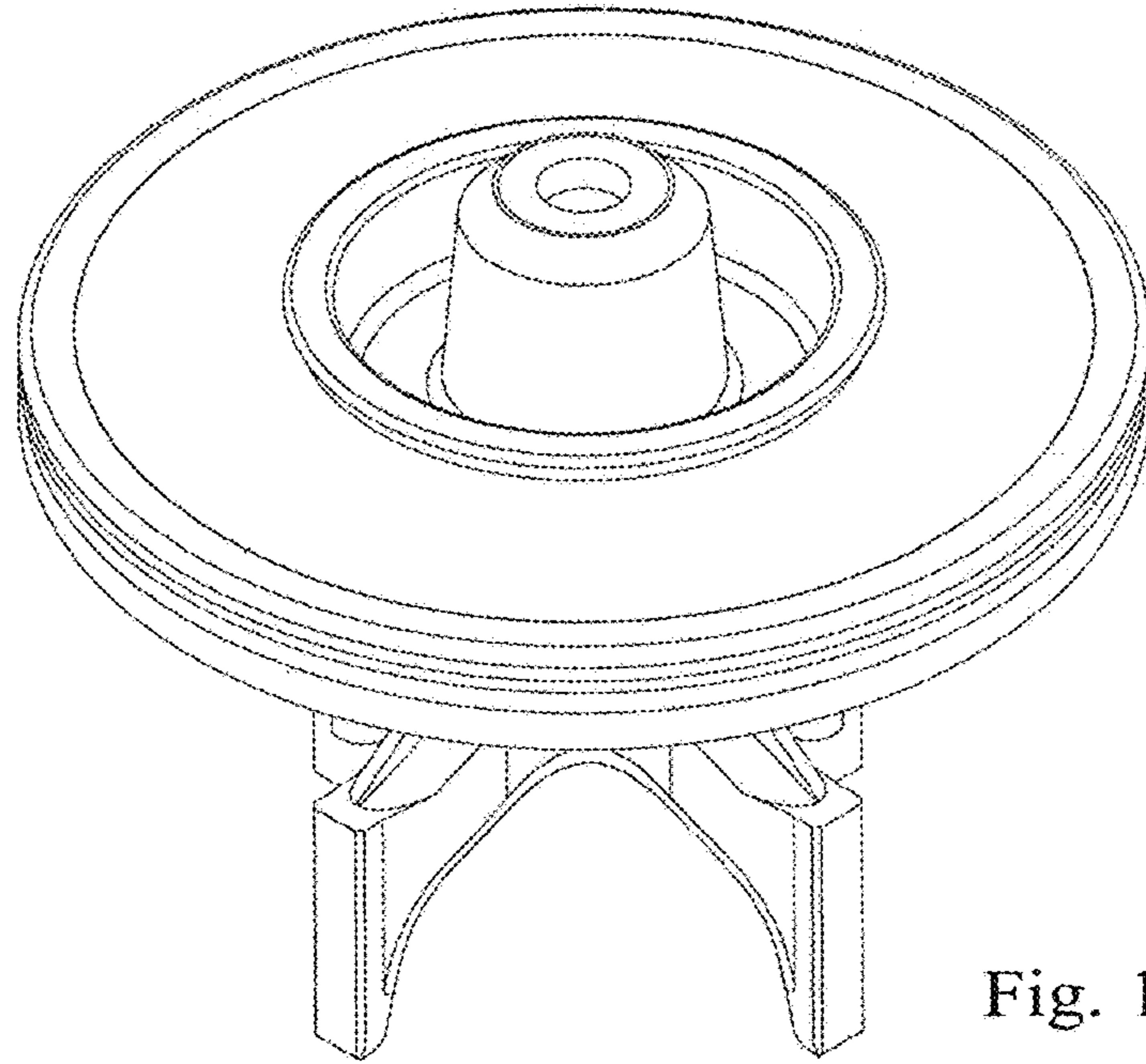


Fig. 1

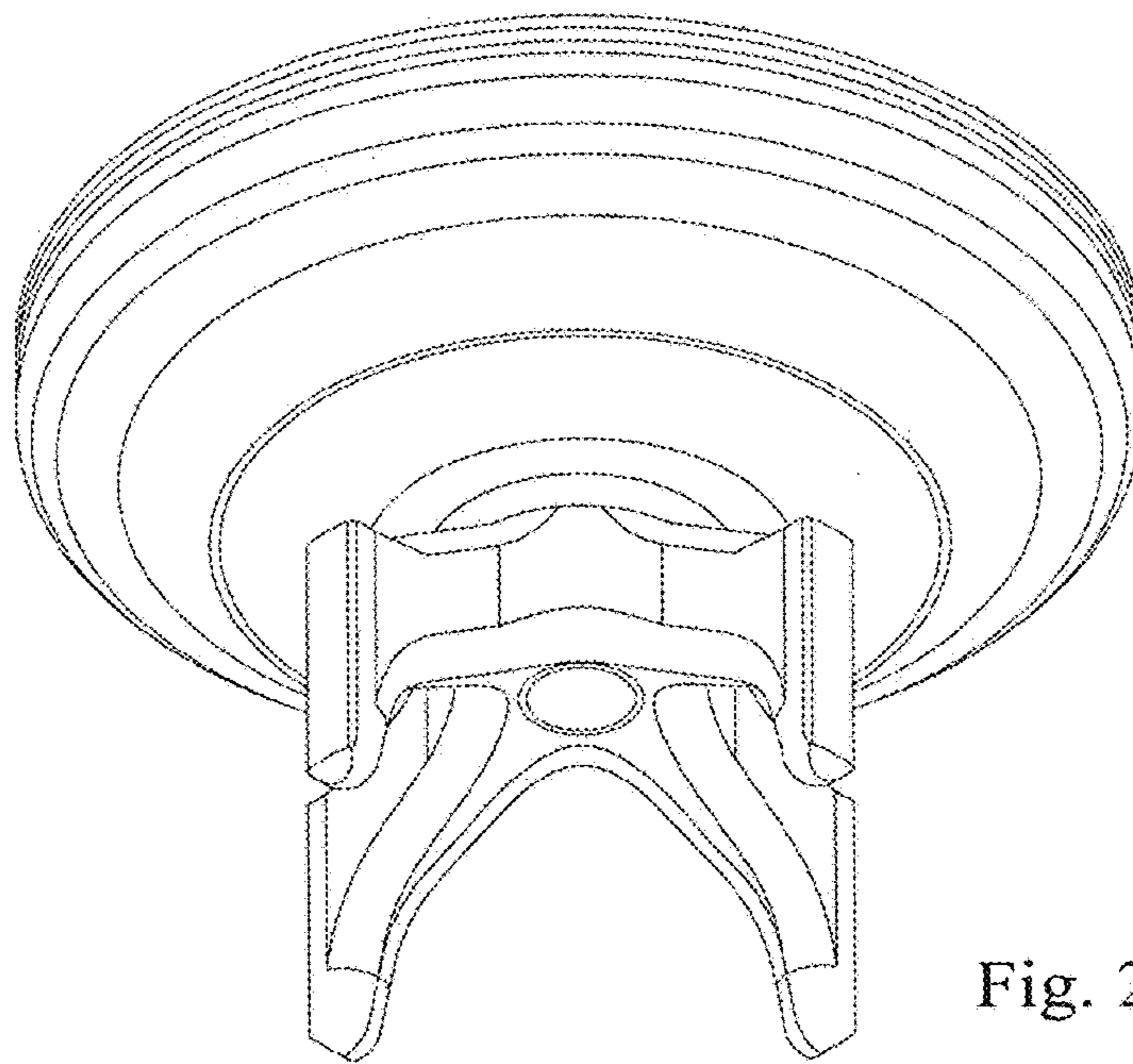


Fig. 2

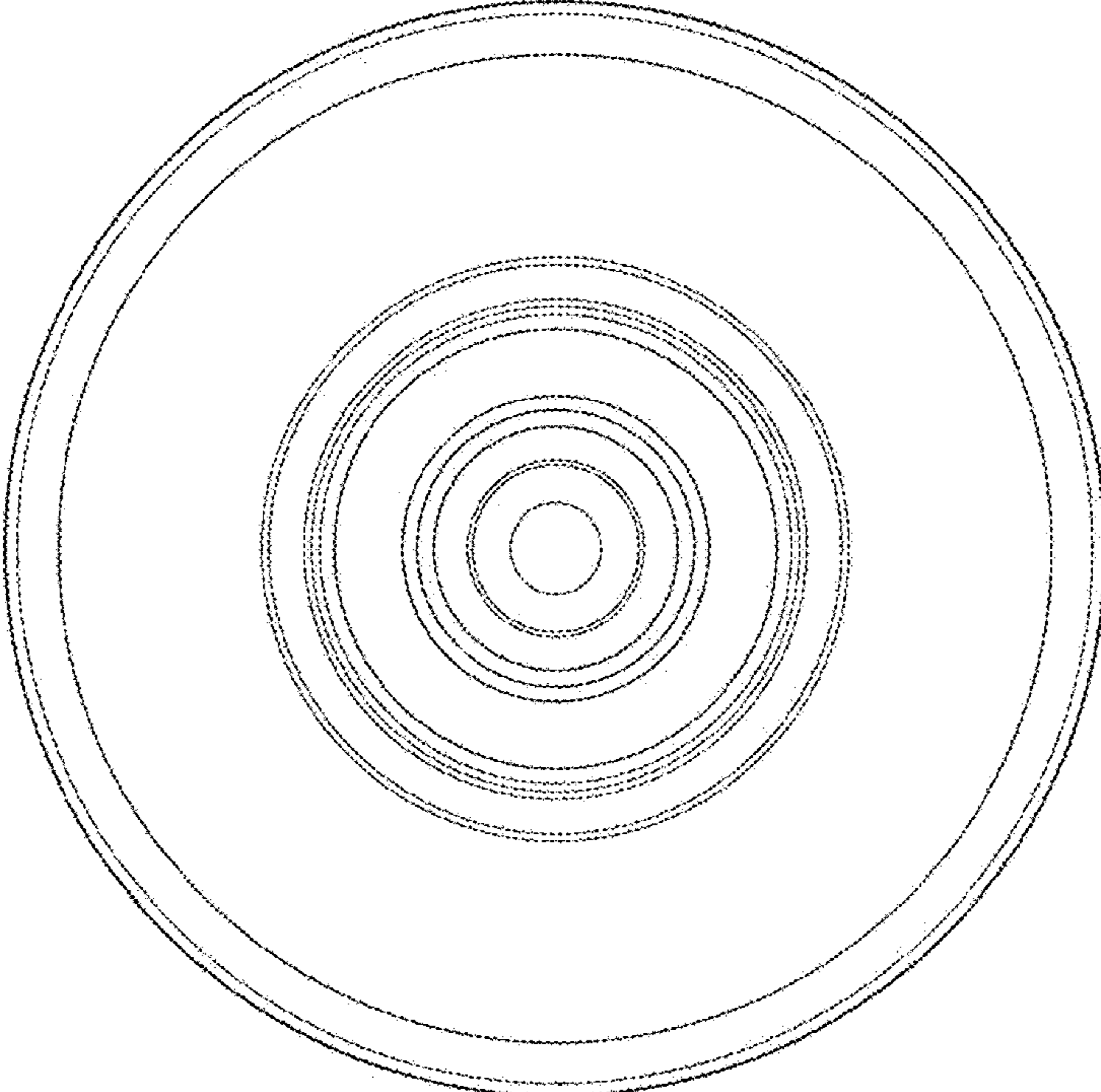


Fig. 3

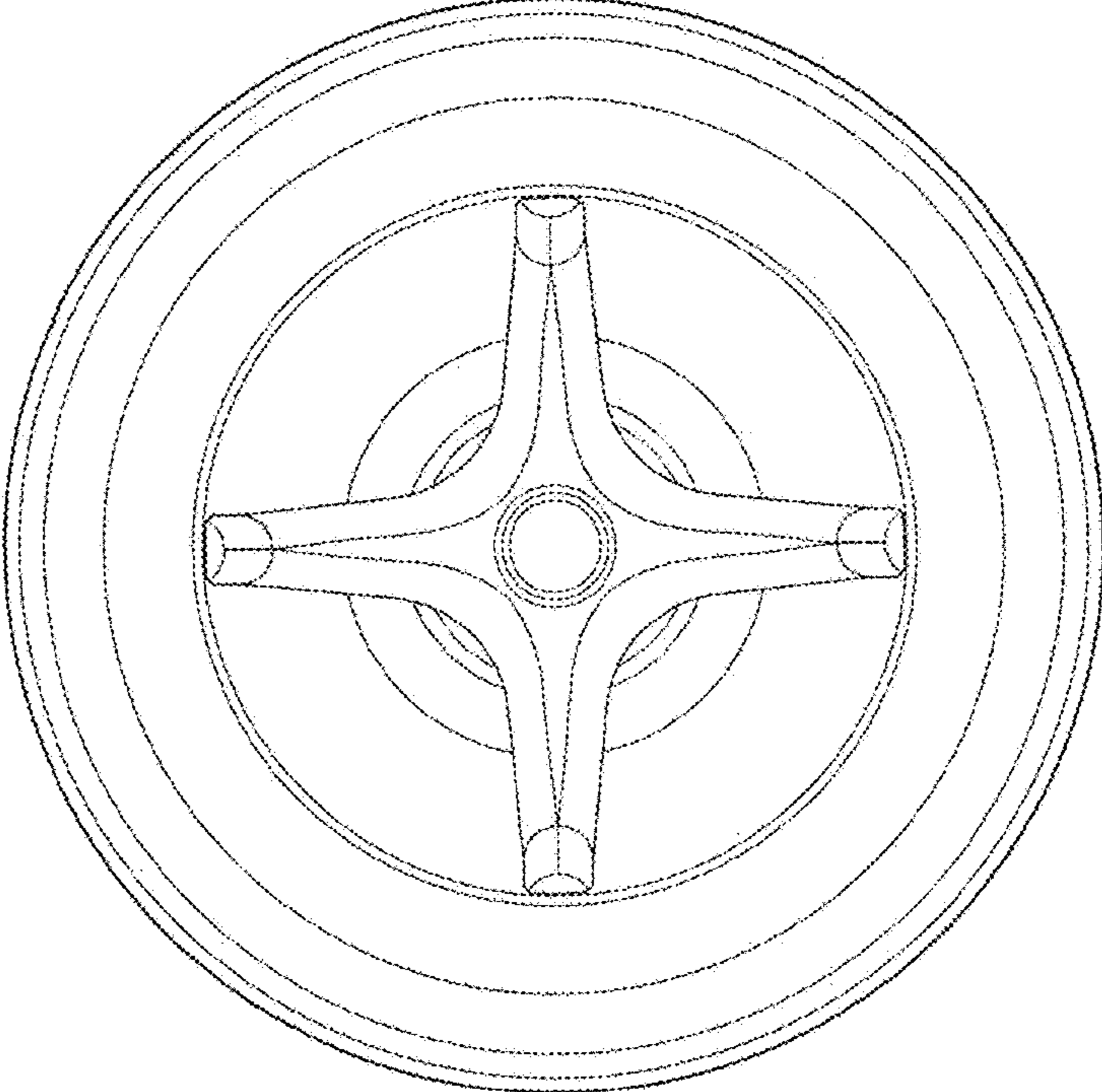


Fig. 4

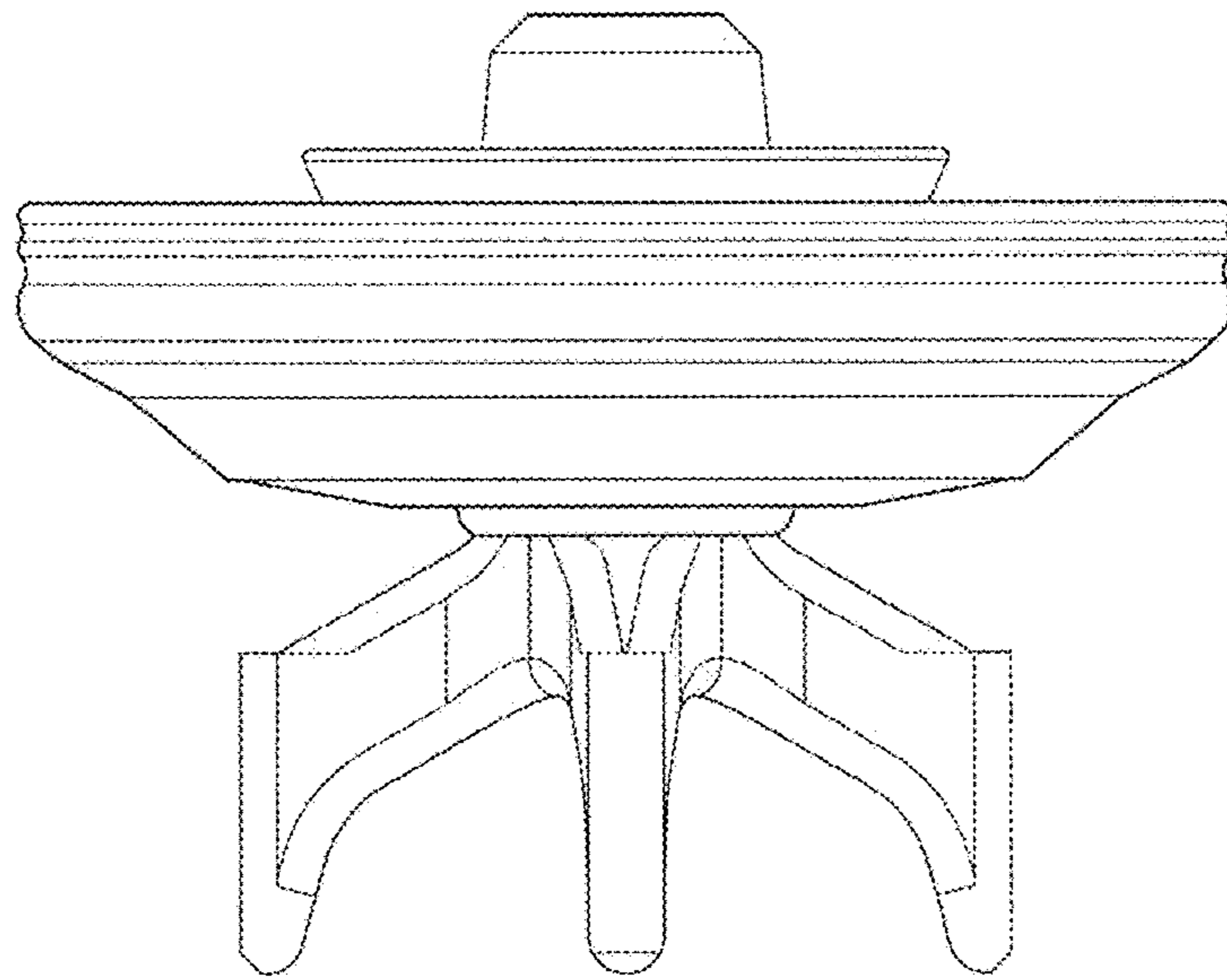


Fig. 5

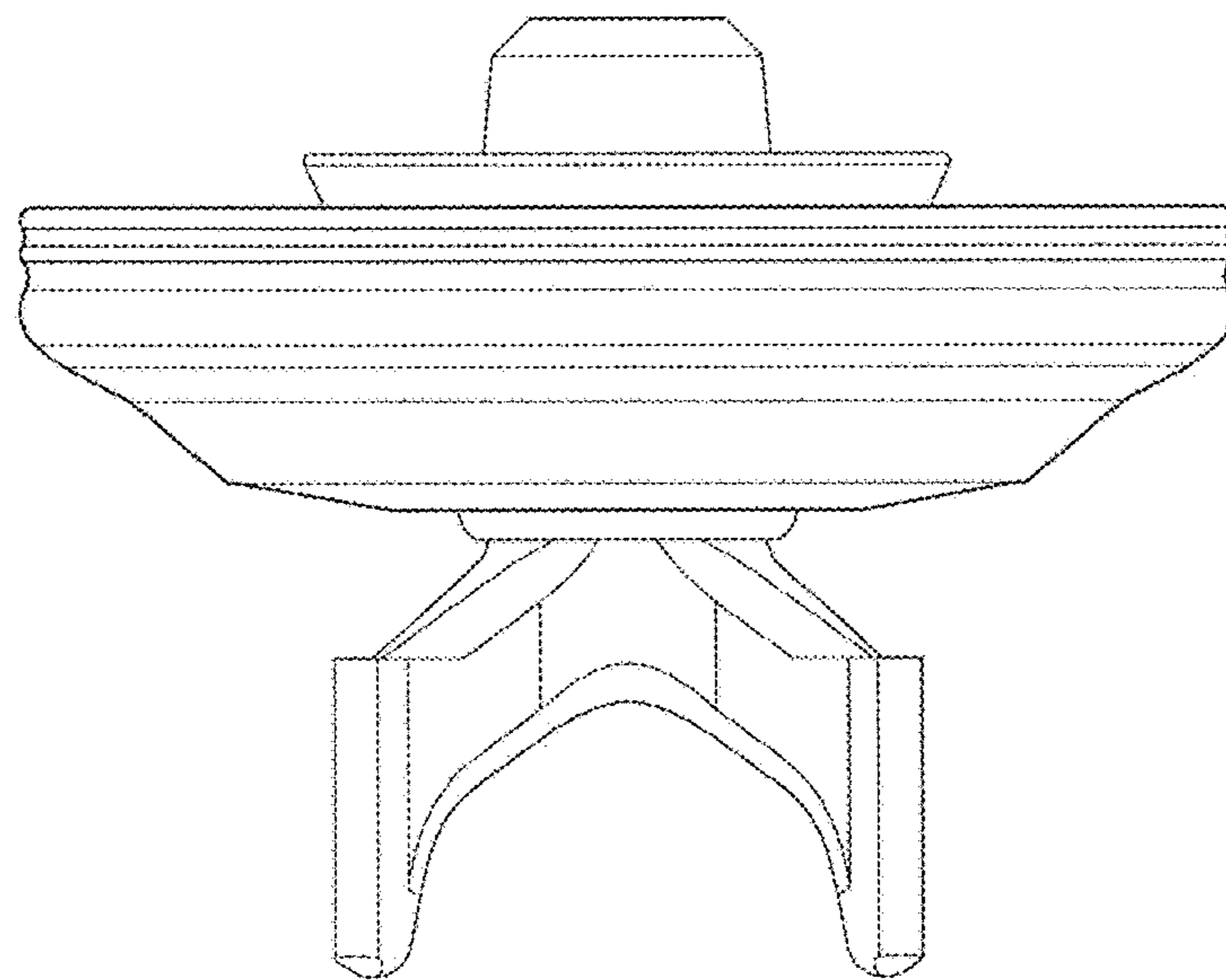


Fig. 6