

US00D867530S

(12) **United States Design Patent** (10) **Patent No.:** **US D867,530 S**
Vogeli (45) **Date of Patent:** **** Nov. 19, 2019**

(54) **FAUCET STREAM STRAIGHTENER**

(71) Applicant: **Neoperl GmbH**, Mullheim (DE)

(72) Inventor: **Thomas Vogeli**, Bubendorf (CH)

(73) Assignee: **Neoperl GmbH**, Müllheim (DE)

(**) Term: **15 Years**

(21) Appl. No.: **29/672,250**

(22) Filed: **Dec. 4, 2018**

Related U.S. Application Data

(62) Division of application No. 35/502,775, filed on Mar. 13, 2017 (U.S. filing date under 35 U.S.C. 384), and (Continued)

(51) **LOC (12) Cl.** **23-01**

(52) **U.S. Cl.**
USPC **D23/213**

(58) **Field of Classification Search**
USPC D23/213, 229, 233, 235, 247-249;
239/428.5, 437; 261/DIG. 22; 366/276,
366/364, 365

(Continued)

(56) **References Cited**

U.S. PATENT DOCUMENTS

D192,906 S 5/1962 Gross
3,664,589 A * 5/1972 Jatho et al. E03C 1/084
239/428.5

(Continued)

Primary Examiner — Keli L Hill

(74) *Attorney, Agent, or Firm* — Volpe and Koenig, P.C.

(57) **CLAIM**

The ornamental design for faucet stream straightener, as shown and described.

DESCRIPTION

The filing of this patent contains at least one drawing/ photograph executed in color. Copies of this patent with

color drawing(s)/photograph(s) will be provided by the office upon request and payment of the necessary fee.

FIG. 1 is a top plan view of a faucet stream straightener in accordance with a first embodiment of my design;

FIG. 2 is a top, front perspective view thereof;

FIG. 3 is a bottom plan view thereof;

FIG. 4 is a bottom, rear perspective view thereof;

FIG. 5 is a front elevational view thereof, the rear elevational view being a mirror image thereof; and

FIG. 6 is a left side elevational view thereof, with the right side elevational view being a mirror image thereof;

FIG. 7 is a front elevational view of a second embodiment of a faucet stream straightener in accordance with my design; the rear elevational view being identical thereto;

FIG. 8 is a left side elevational view thereof, with the right side elevational view being identical thereto;

FIG. 9 is a top view thereof;

FIG. 10 is a top, front perspective view thereof;

FIG. 11 is a bottom view thereof; and

FIG. 12 is a bottom, rear perspective view thereof;

FIG. 13 is a front elevational view of a third embodiment of a faucet stream straightener in accordance with my design, with the rear elevational view being identical thereto;

FIG. 14 is a left side elevational view thereof, with the right side elevational view being identical thereto;

FIG. 15 is a top view thereof;

FIG. 16 is a top, front perspective view thereof;

FIG. 17 is a bottom view thereof; and

FIG. 18 is a bottom, rear perspective view thereof;

FIG. 19 is a front elevational view of a fourth embodiment of a faucet stream straightener in accordance with my design, with the rear elevational view being identical thereto;

FIG. 20 is a left side elevational view thereof, with the right side elevational view being identical thereto;

FIG. 21 is a top view thereof;

FIG. 22 is a top, front perspective view thereof;

FIG. 23 is a bottom view thereof; and

FIG. 24 is a bottom, rear perspective view thereof;

FIG. 25 is a front elevational view of a fifth embodiment of a faucet stream straightener in accordance with my design with the rear elevational view being identical thereto;

FIG. 26 is a left side elevational view thereof, with the right side elevational view being identical thereto;

(Continued)

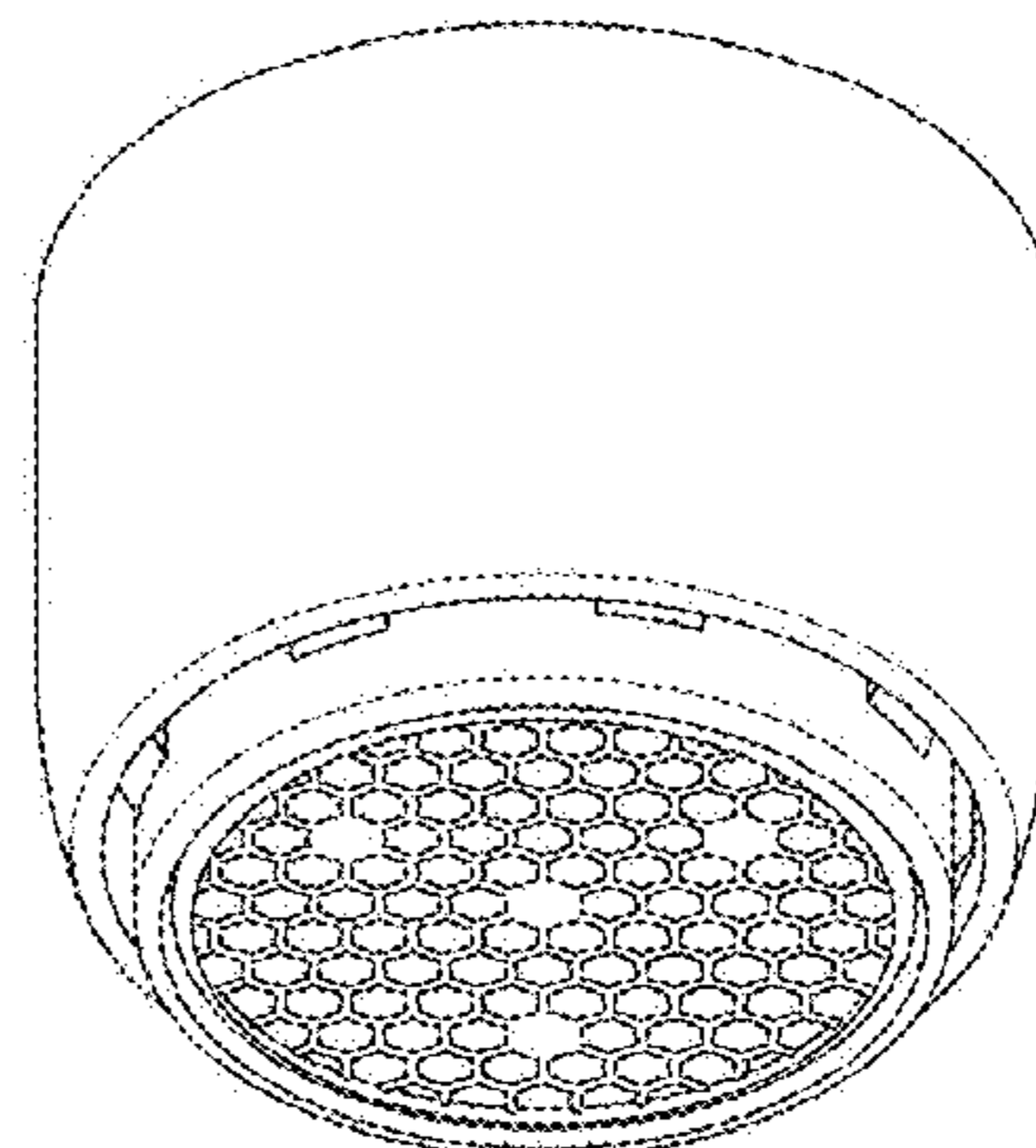
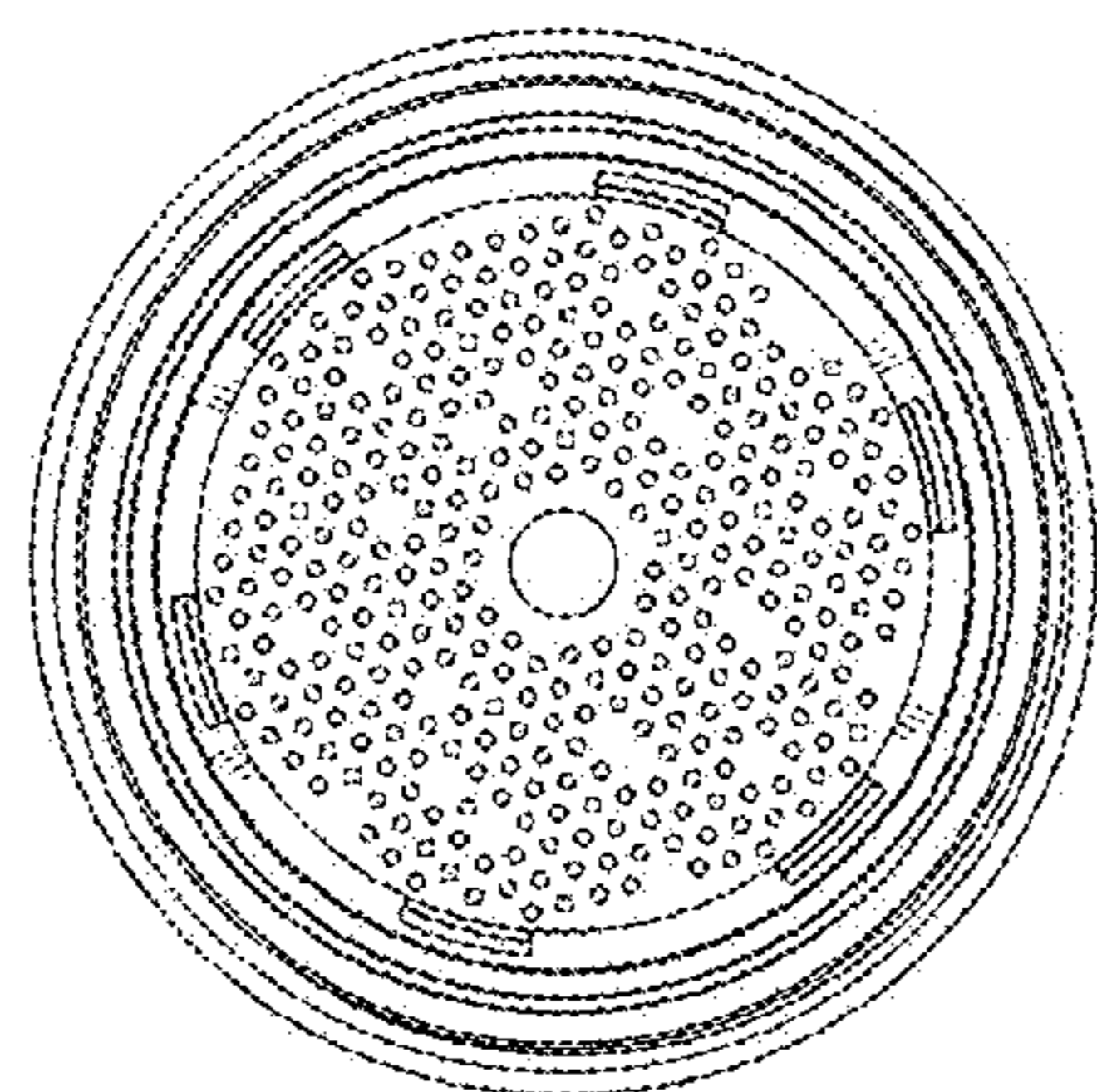


FIG. 27 is a top view thereof;
FIG. 28 is a top, front perspective view thereof;
FIG. 29 is a bottom view thereof; and,
FIG. 30 is a bottom, rear perspective view thereof.
The broken lines shown represent parts of the faucet stream
straightener that form no part of the claimed design.

**1 Claim, 30 Drawing Sheets
(24 of 30 Drawing Sheet(s) Filed in Color)**

Related U.S. Application Data

having an international filing date of Mar. 13, 2017,
now Pat. No. Des. 839,385.

(58) **Field of Classification Search**

CPC B05B 7/0425; E03C 1/08; E03C 1/084;
E03C 1/086; E03C 2001/026

See application file for complete search history.

(56) **References Cited**

U.S. PATENT DOCUMENTS

D322,837 S	12/1991	Woodruff	
D536,417 S	2/2007	Buttgen	
D537,916 S	3/2007	Buttgen	
D632,367 S	2/2011	Stein	
D728,738 S	5/2015	Birmelin	
D839,385 S *	1/2019	Vogeli	D23/213

* cited by examiner

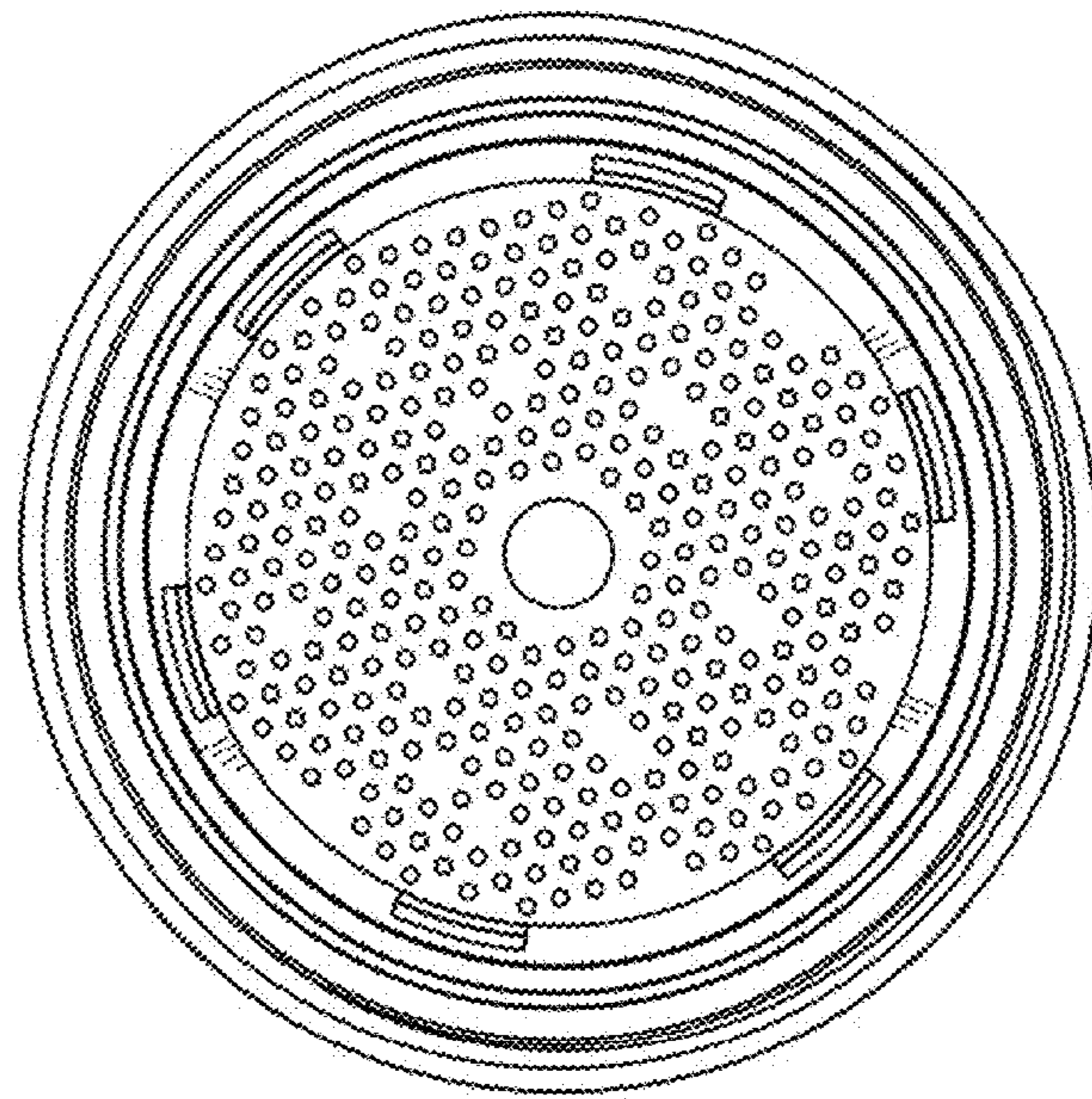


Fig. 1

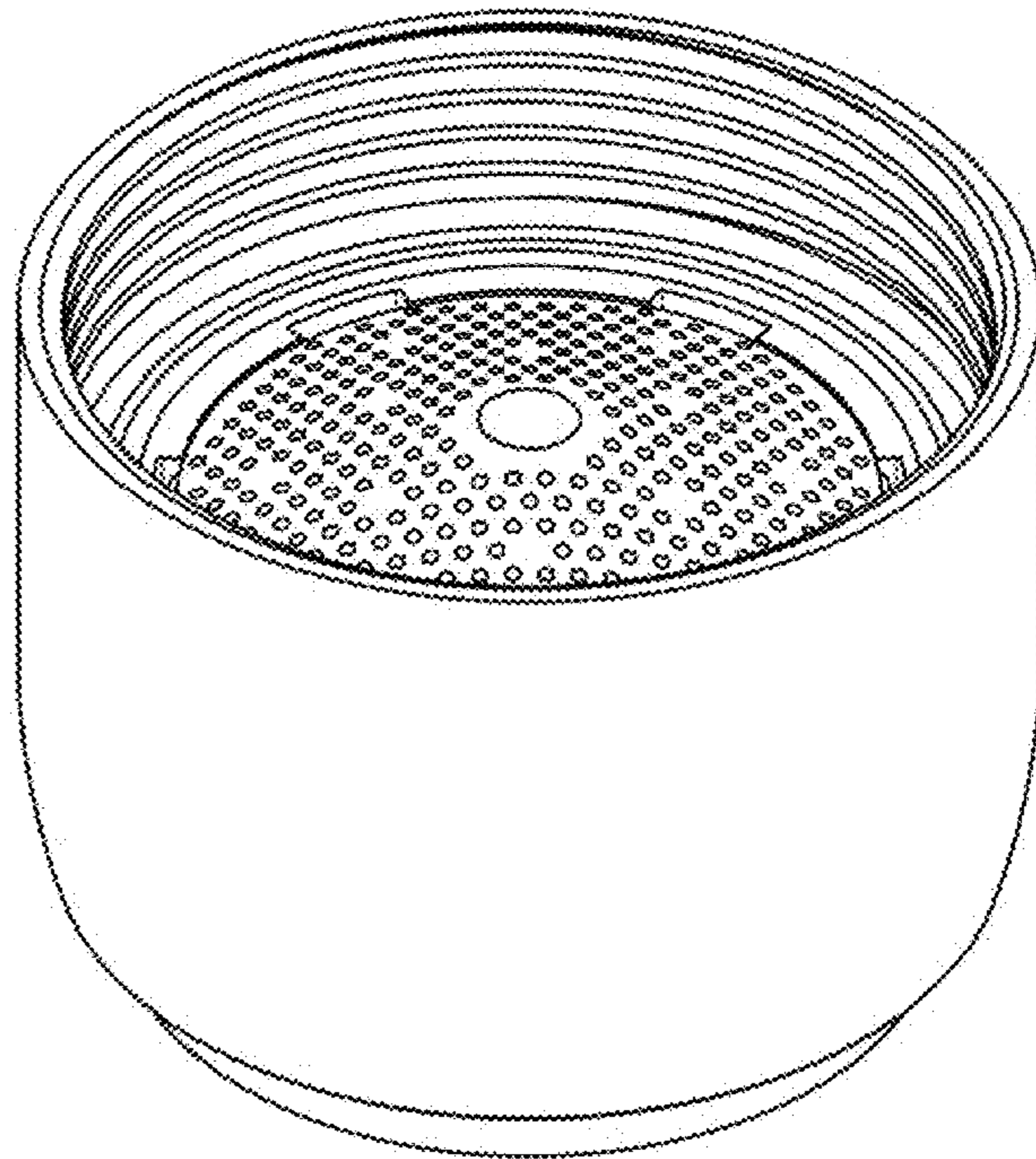


Fig. 2

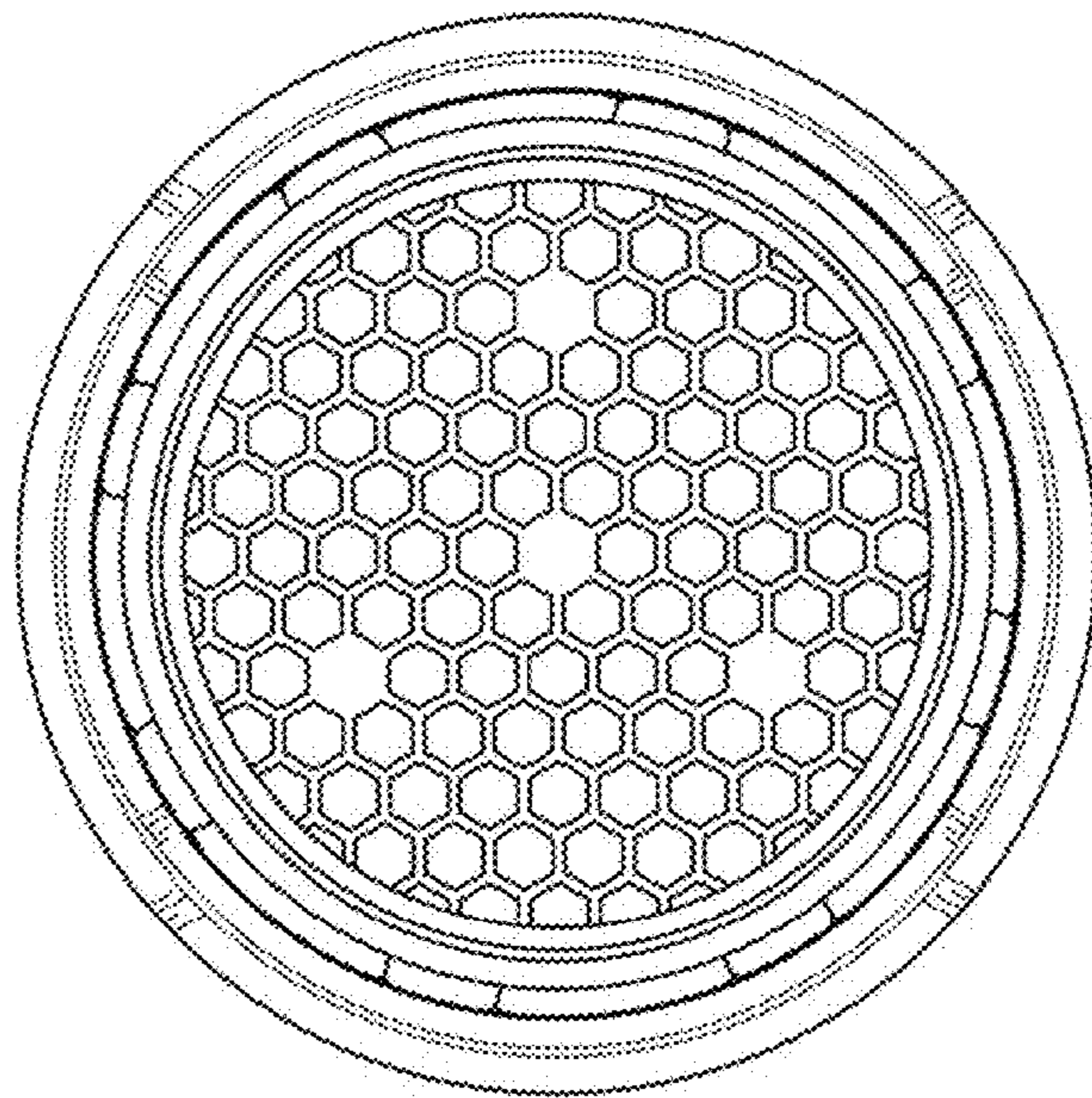


Fig. 3

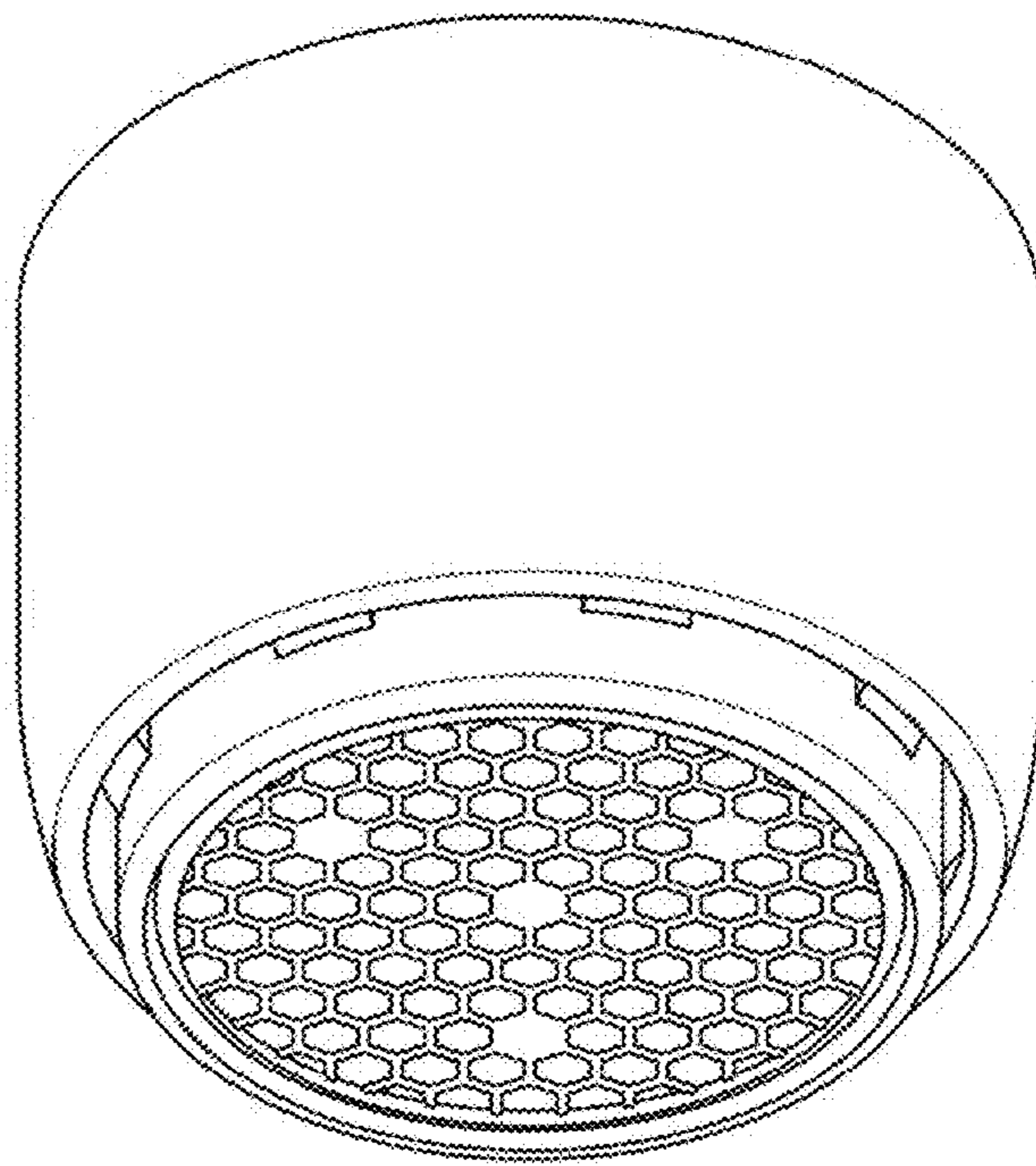


Fig. 4

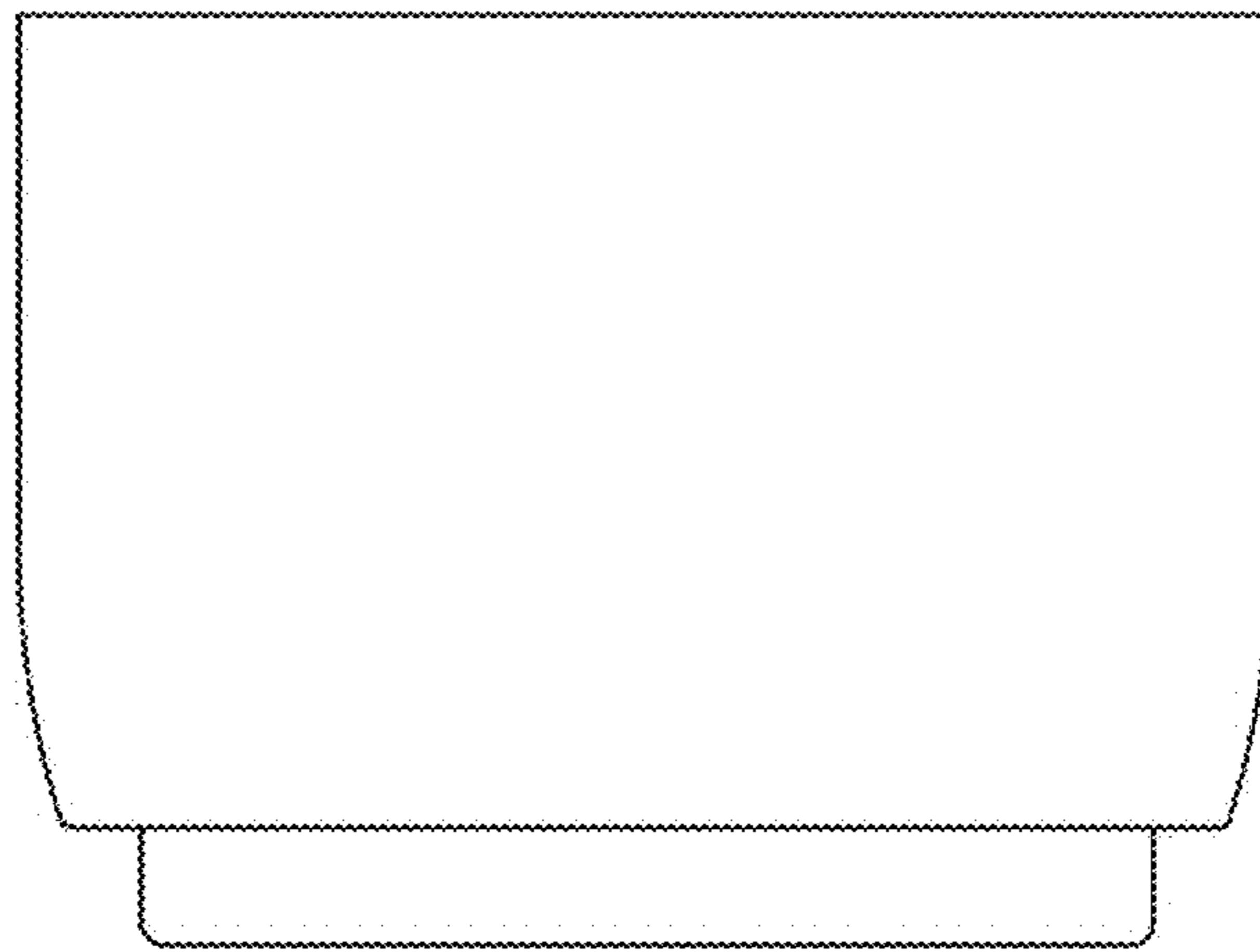


Fig. 5

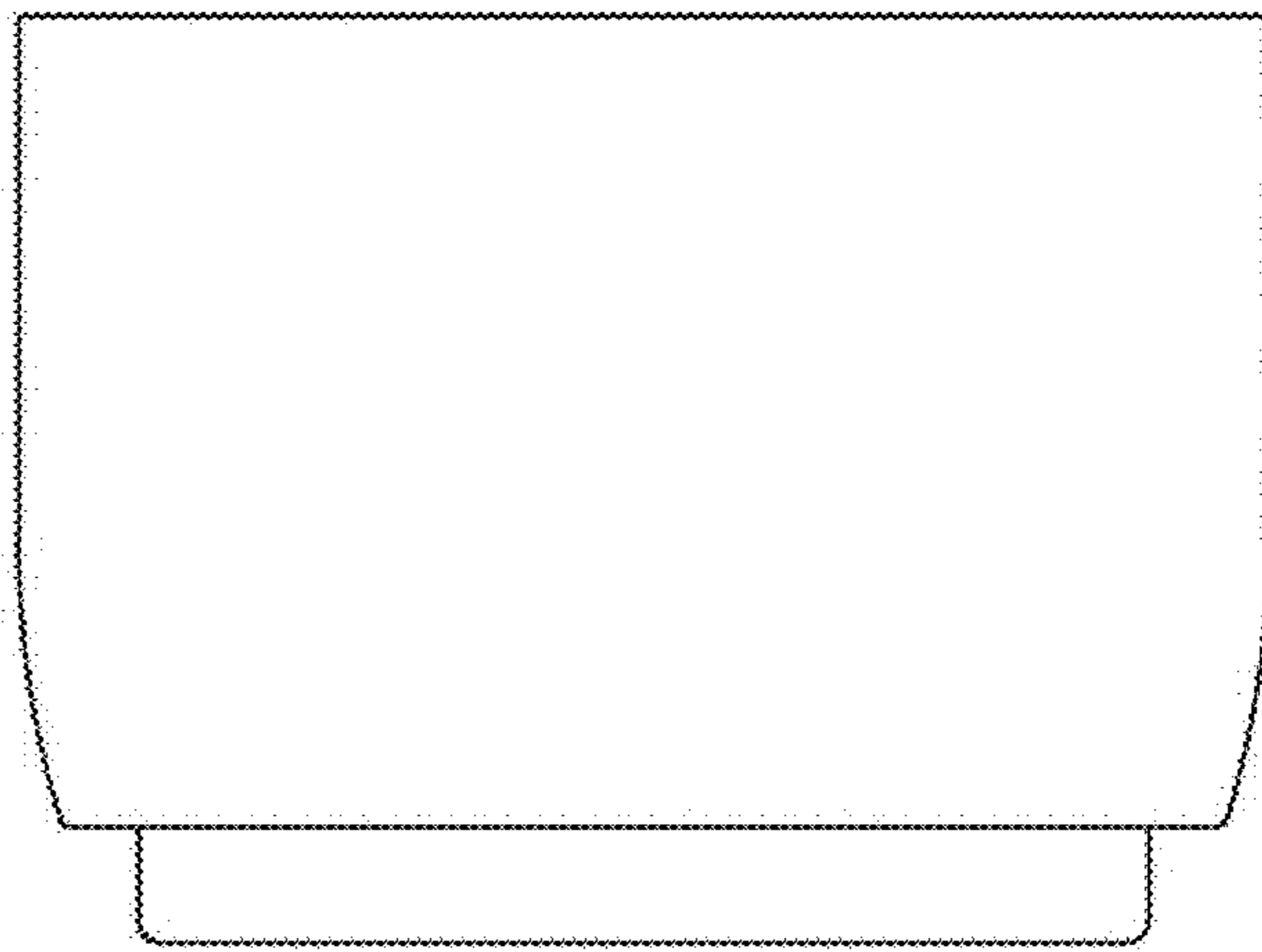


Fig. 6



Fig. 7



Fig. 8



Fig. 9



Fig. 10



Fig. 11



Fig. 12



Fig. 13



Fig. 14



Fig. 15



Fig. 16



Fig. 17



Fig. 18



Fig. 19



Fig. 20



Fig. 21



Fig. 22



Fig. 23



Fig. 24



Fig. 25



Fig. 26



Fig. 27



Fig. 28

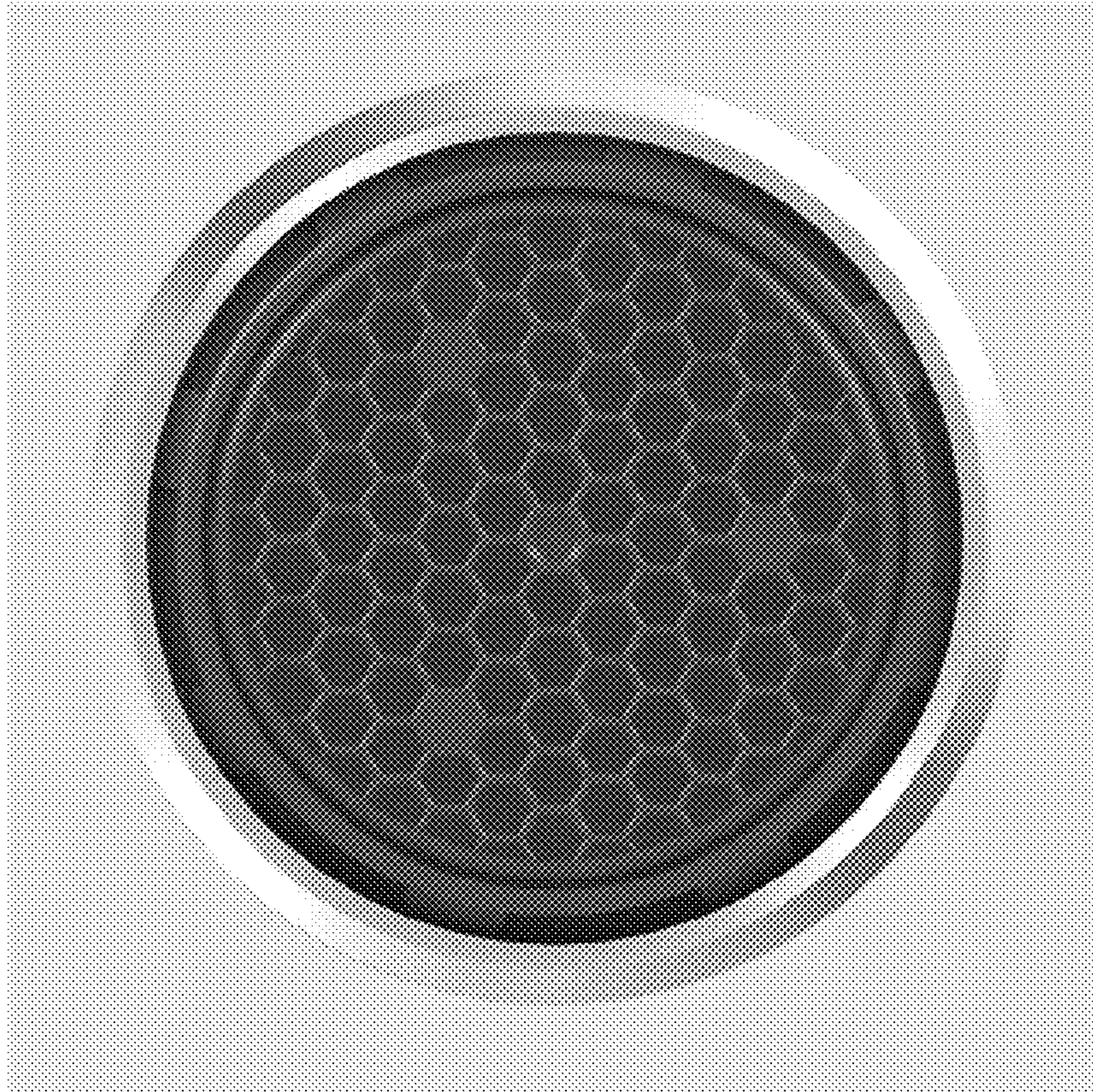


Fig. 29



Fig. 30