



US00D867529S

(12) **United States Design Patent**
Yang

(10) **Patent No.:** **US D867,529 S**

(45) **Date of Patent:** **** Nov. 19, 2019**

(54) **ADJUSTABLE SPRINKLER DRIPPER**

(71) Applicant: **Kang Yang**, Jinhua (CN)

(72) Inventor: **Kang Yang**, Jinhua (CN)

(**) Term: **15 Years**

(21) Appl. No.: **29/654,072**

(22) Filed: **Jun. 20, 2018**

(51) **LOC (12) Cl.** **23-01**

(52) **U.S. Cl.**

USPC **D23/213**

(58) **Field of Classification Search**

USPC D23/213, 214, 215, 223, 224, 226, 229,
D23/230

CPC .. B05B 1/00; B05B 1/14; B05B 1/185; B05B
1/08; B05B 1/02; B05B 1/26; B05B
12/002; B05B 1/18; B05B 9/01

See application file for complete search history.

(56) **References Cited**

U.S. PATENT DOCUMENTS

D248,041 S *	5/1978	Persson	D23/226
D261,547 S *	10/1981	Parke	D23/223
D372,072 S *	7/1996	Hutcherson	D23/223
D391,349 S *	2/1998	Chih	D23/229
D414,244 S *	9/1999	Hui-Chen	D23/213

D415,554 S *	10/1999	Hui-Chen	D23/213
6,449,975 B1 *	9/2002	Moreno	B60H 3/0007 62/314
D535,721 S *	1/2007	Ford	D23/213
D552,714 S *	10/2007	Lu	D19/174
D725,749 S *	3/2015	Mezzalira	D23/259
D837,933 S *	1/2019	Carroll	D23/213
2014/0239095 A1 *	8/2014	Short	B05B 1/14 239/404
2014/0319246 A1 *	10/2014	Lehmann	B05B 1/14 239/437

* cited by examiner

Primary Examiner — Manpreet S Matharu

Assistant Examiner — Keith J Wilson

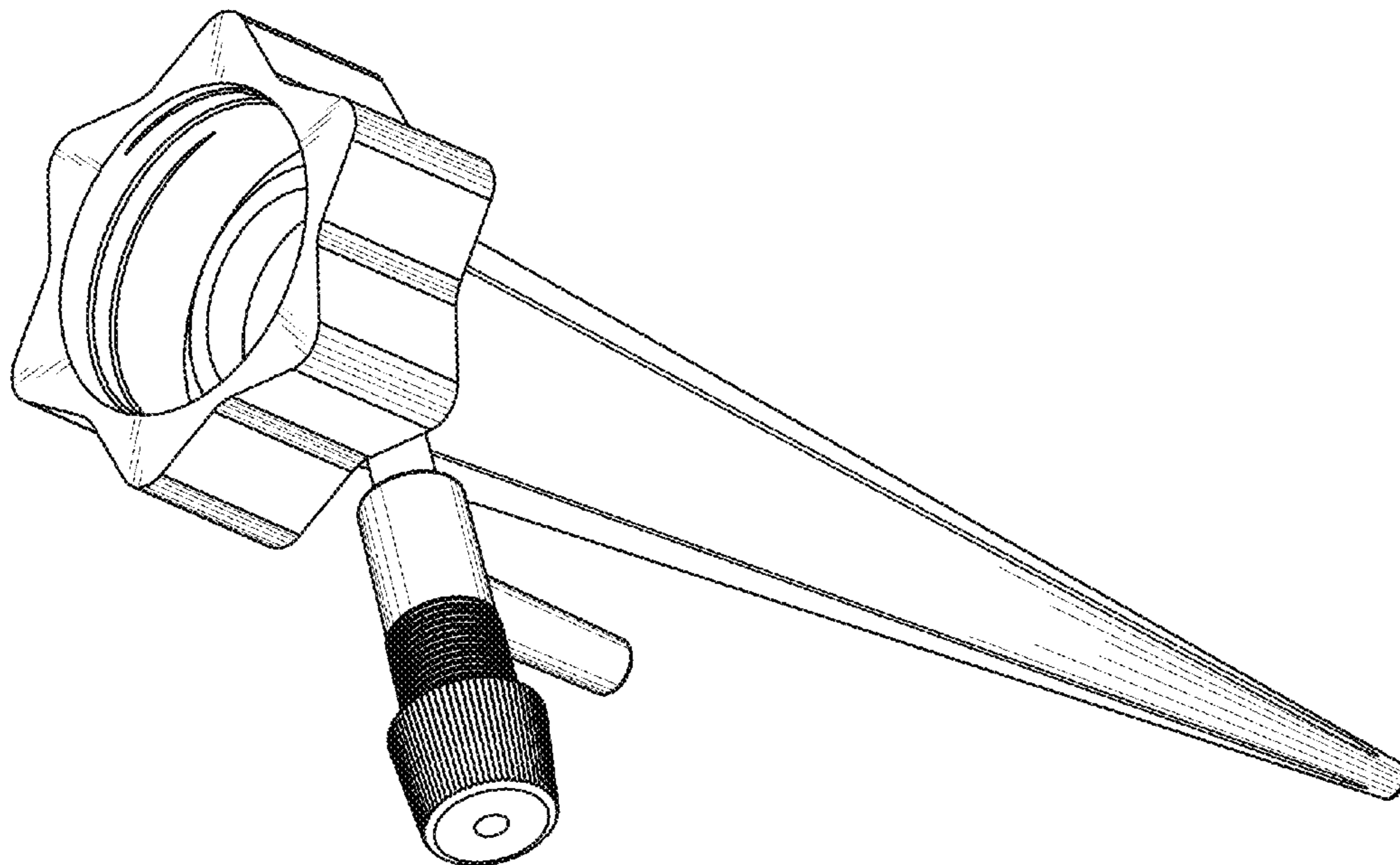
(57) **CLAIM**

The ornamental design for an adjustable sprinkler dripper, as shown and described.

DESCRIPTION

FIG. 1 is a perspective view of an adjustable sprinkler dripper showing my new design;
 FIG. 2 is a front elevational view thereof;
 FIG. 3 is a rear elevational view thereof;
 FIG. 4 is a left side elevational view thereof;
 FIG. 5 is a right side elevational view thereof;
 FIG. 6 is a top plan view thereof; and,
 FIG. 7 is a bottom plan view thereof.

1 Claim, 7 Drawing Sheets



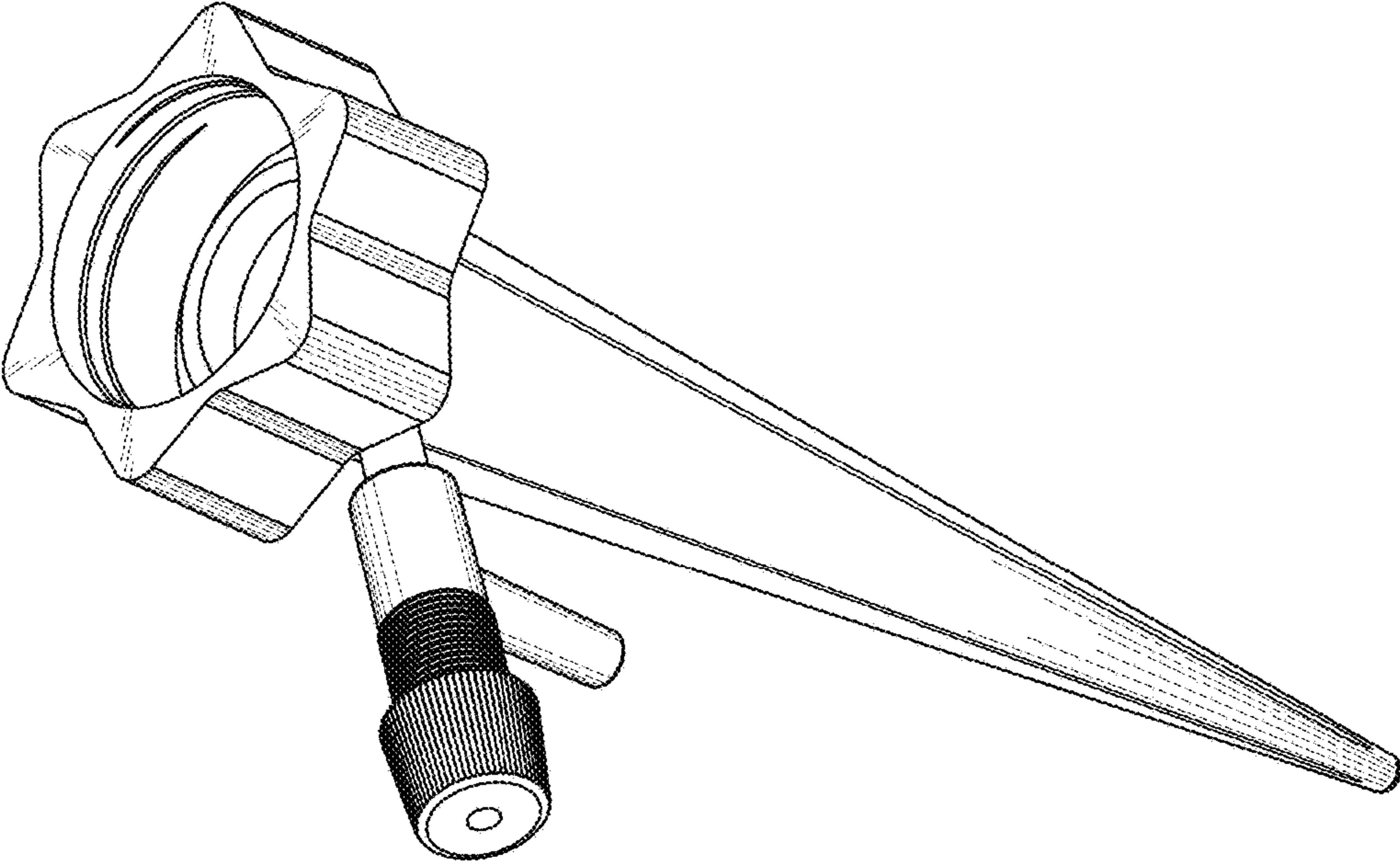


FIG.1

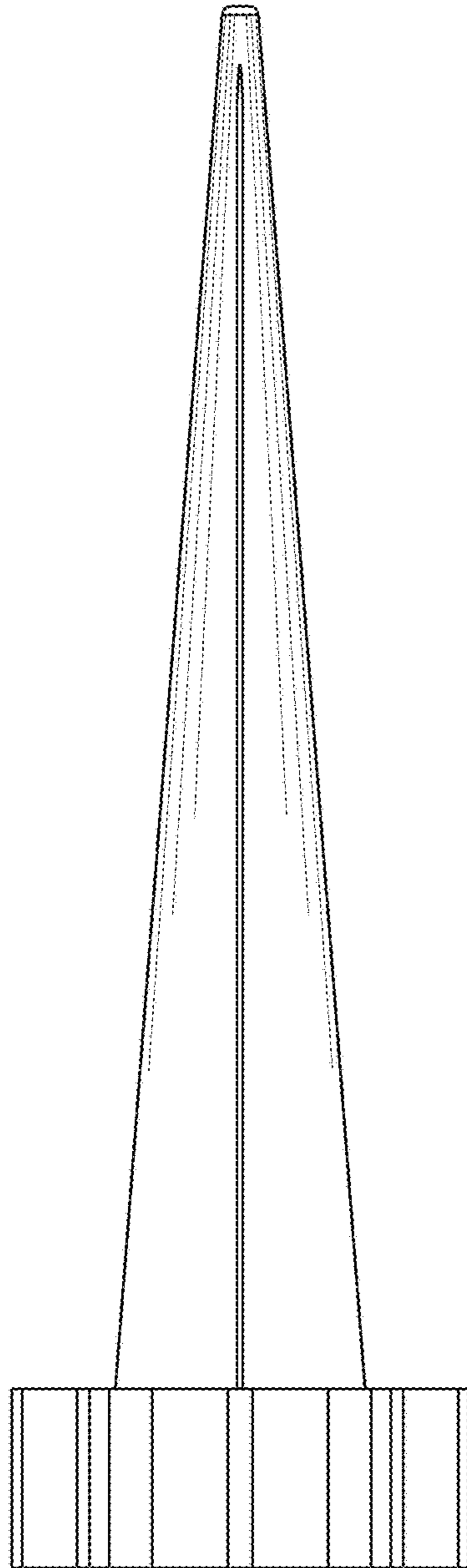


FIG.2

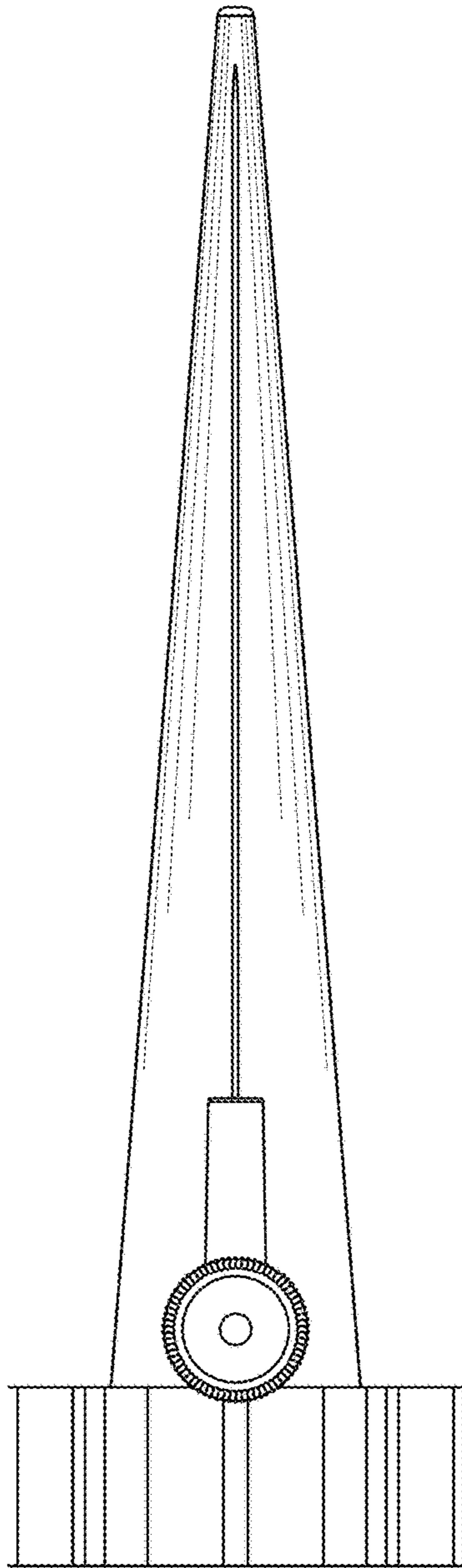


FIG.3

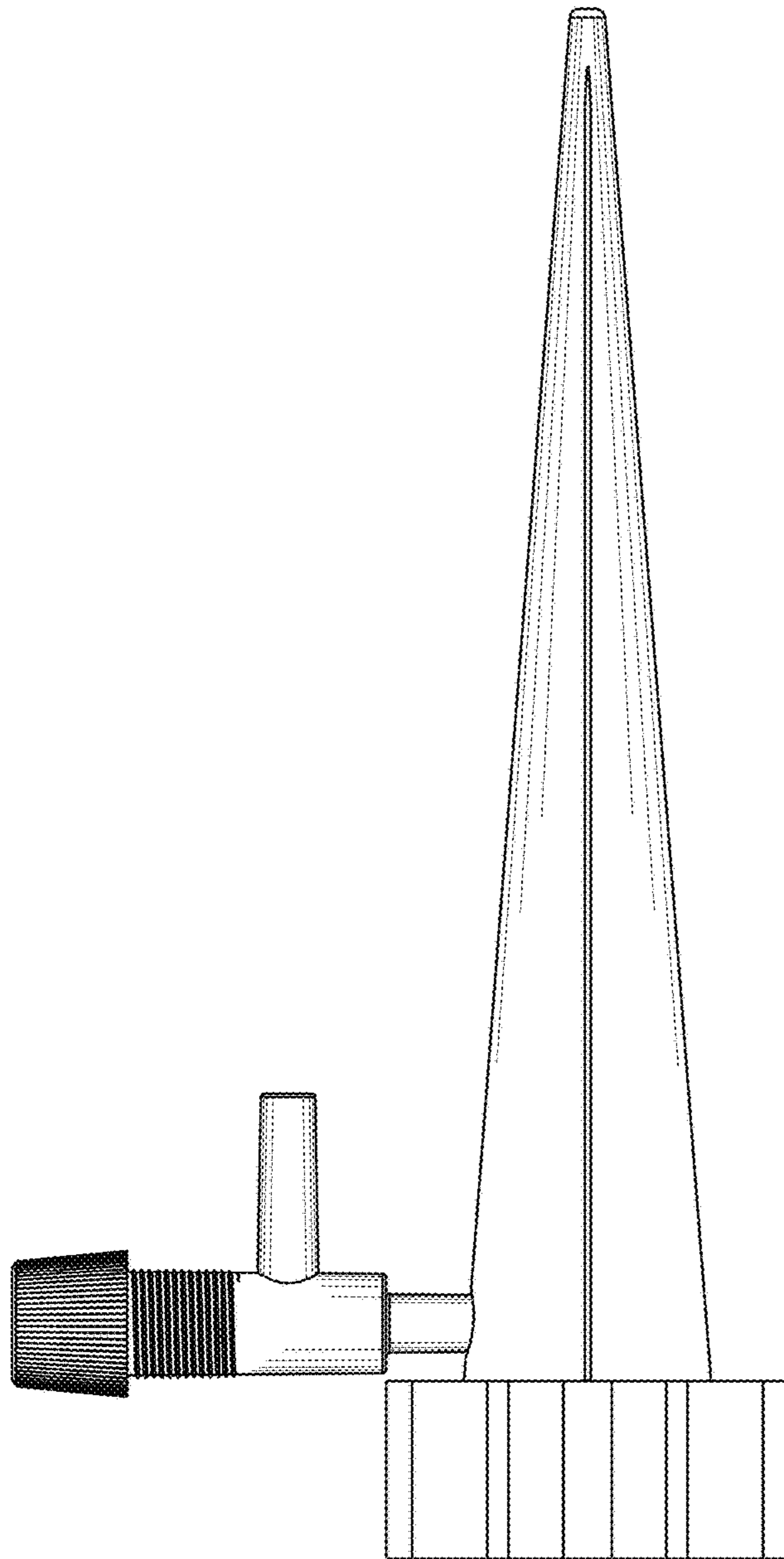


FIG.4

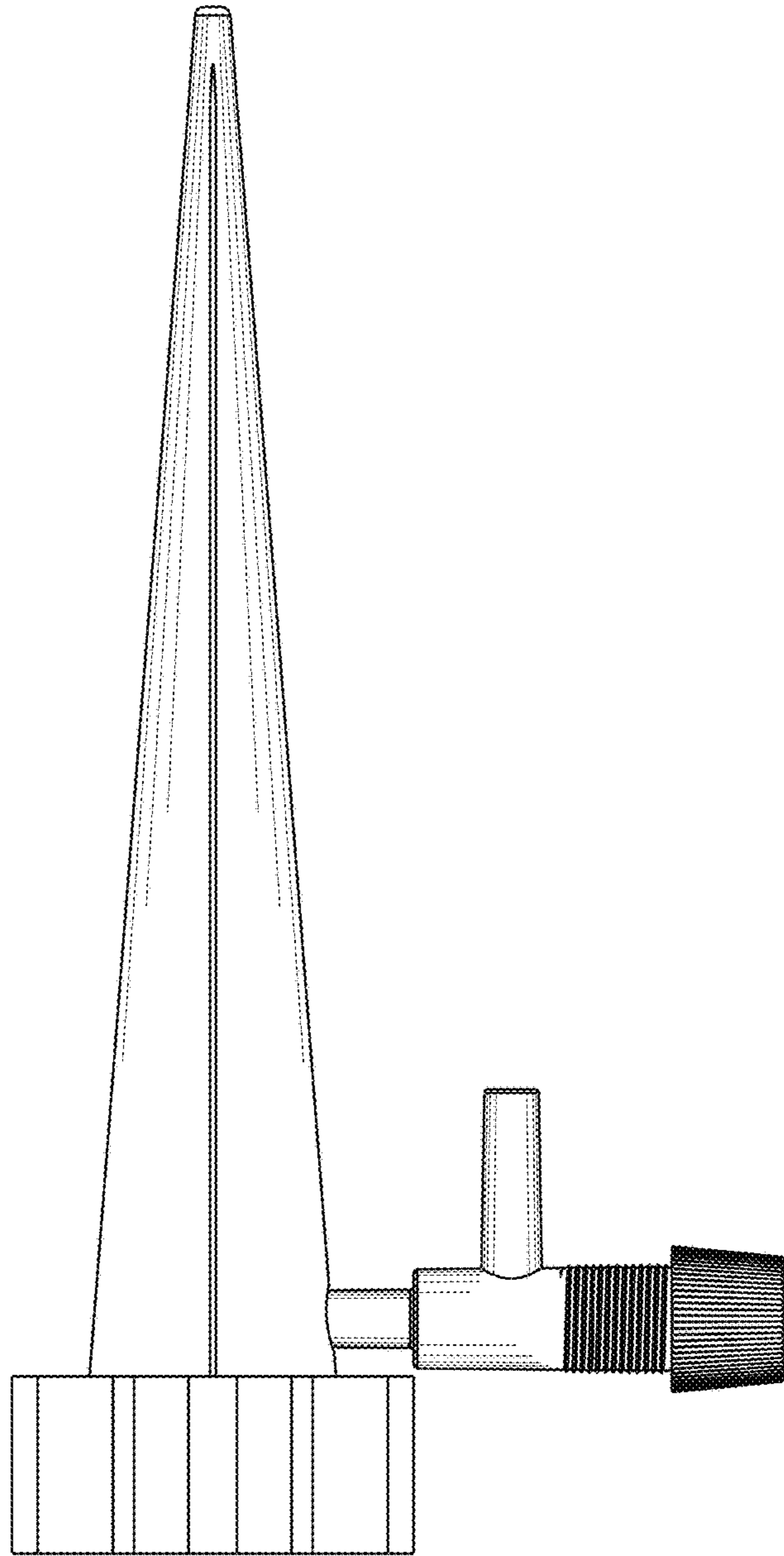


FIG.5

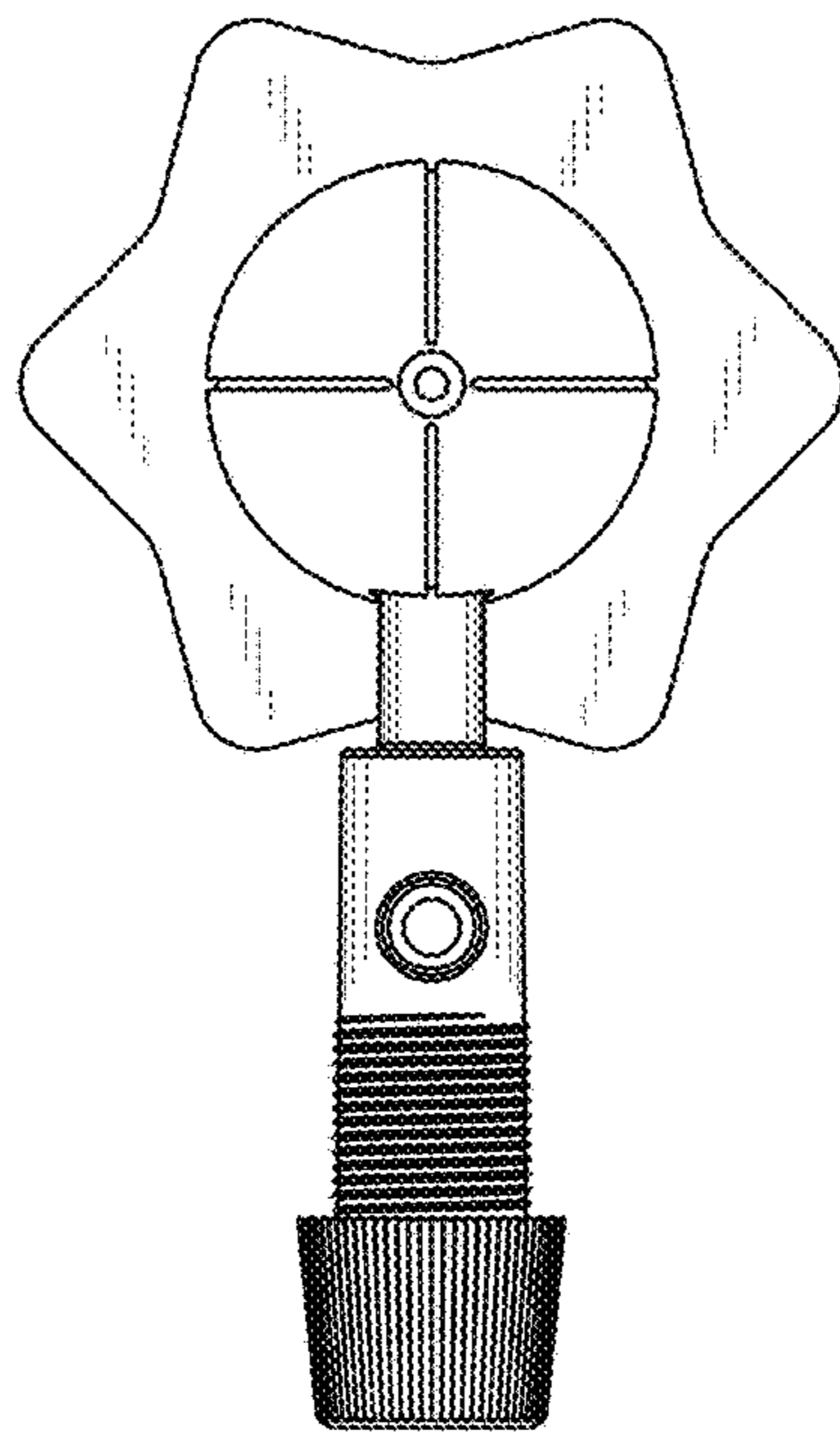


FIG.6

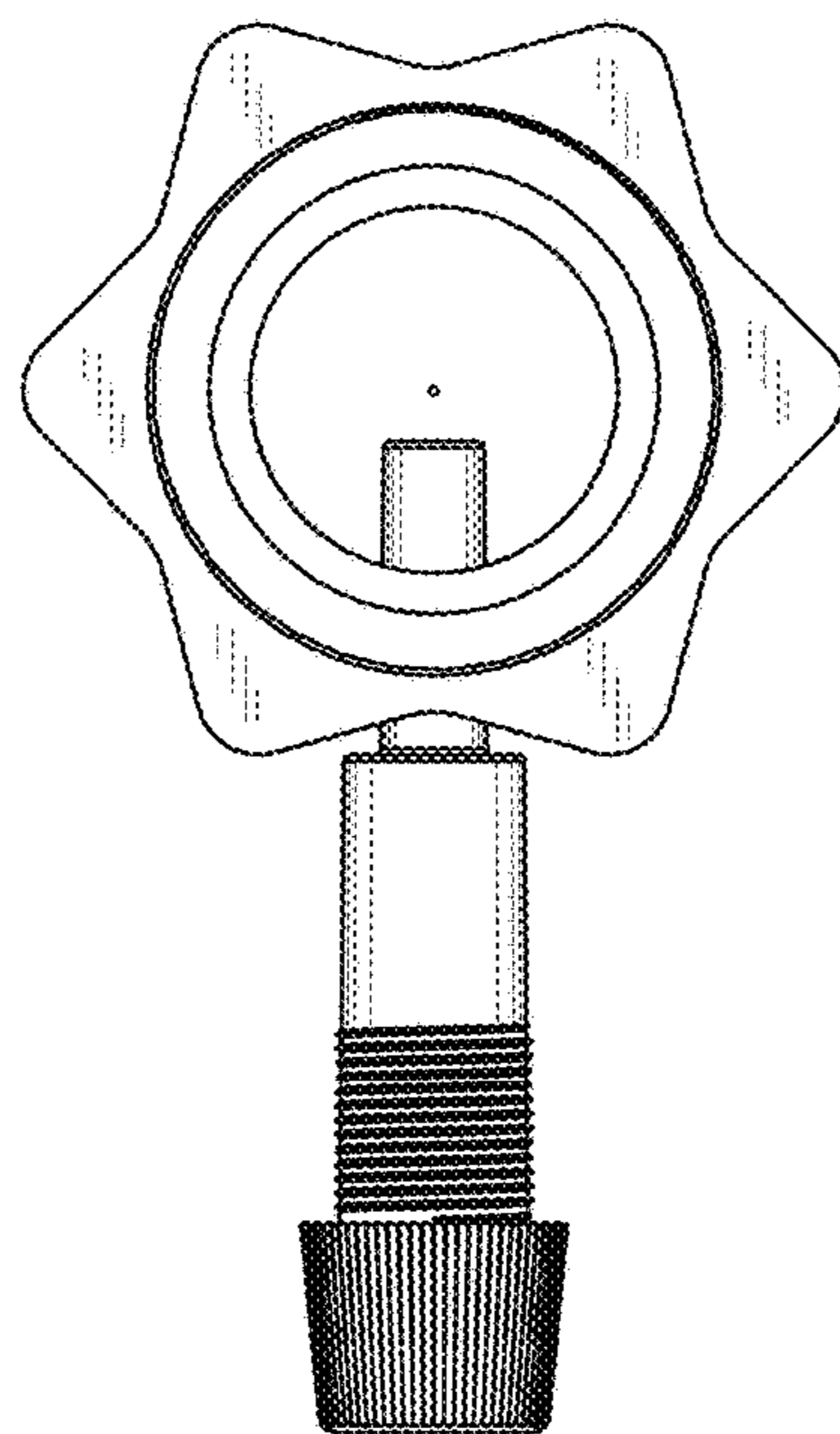


FIG.7