

US00D867528S

(12) **United States Design Patent**  
**Bitterman**

(10) **Patent No.:** **US D867,528 S**

(45) **Date of Patent:** **\*\* Nov. 19, 2019**

- (54) **DRIP IRRIGATION NIPPLE CAP**
- (71) Applicant: **Jerry Bitterman**, Sequim, WA (US)
- (72) Inventor: **Jerry Bitterman**, Sequim, WA (US)
- (\*\*) Term: **15 Years**
- (21) Appl. No.: **29/653,001**
- (22) Filed: **Jun. 12, 2018**
- (51) **LOC (12) Cl.** ..... **23-01**
- (52) **U.S. Cl.**  
USPC ..... **D23/213**
- (58) **Field of Classification Search**  
USPC ..... D23/213, 214, 215, 223, 224, 226, 229,  
D23/230  
CPC .. B05B 1/00; B05B 1/14; B05B 1/185; B05B  
1/08; B05B 1/02; B05B 1/26; B05B  
12/002; B05B 1/18; B05B 9/01; B05B  
39/00  
See application file for complete search history.

D723,136 S *	2/2015	Roberts .....	D23/213
D723,657 S *	3/2015	Lee .....	D23/213
D724,695 S *	3/2015	Wright .....	D23/213
D745,118 S *	12/2015	Kenney .....	D23/262
D758,531 S *	6/2016	Williams .....	D23/213
D774,163 S *	12/2016	Solakian .....	D23/213
D806,149 S *	12/2017	Williams .....	D15/138
D837,343 S *	1/2019	Nikles .....	D23/213
D837,933 S *	1/2019	Carroll .....	D23/213

\* cited by examiner

*Primary Examiner* — Manpreet S Matharu

*Assistant Examiner* — Keith J Wilson

(57) **CLAIM**

The ornamental design for a drip irrigation nipple cap, as shown and described.

**DESCRIPTION**

FIG. 1 is a front view of a drip irrigation nipple cap showing my new design;  
 FIG. 2 is a rear view of the drip irrigation nipple cap;  
 FIG. 3 is a left side view of the drip irrigation nipple cap;  
 FIG. 4 is a right side view of the drip irrigation nipple cap;  
 FIG. 5 is a top view of the drip irrigation nipple cap;  
 FIG. 6 is a bottom view of the drip irrigation nipple cap; and,  
 FIG. 7 is a front bottom side perspective view of the drip irrigation nipple cap.  
 The broken lines in FIGS. 6 and 7 define a border inside which forms no part of the claimed design.

**1 Claim, 4 Drawing Sheets**

(56) **References Cited**

U.S. PATENT DOCUMENTS

D240,264 S *	6/1976	MacLaren .....	D23/213
D469,847 S *	2/2003	Schroeder .....	D23/213
D497,407 S *	10/2004	Mather .....	D23/213
D532,864 S *	11/2006	Mather .....	D23/213
7,708,211 B2 *	5/2010	Maier .....	B05C 17/00516 239/456
D714,906 S *	10/2014	Williams .....	D23/213

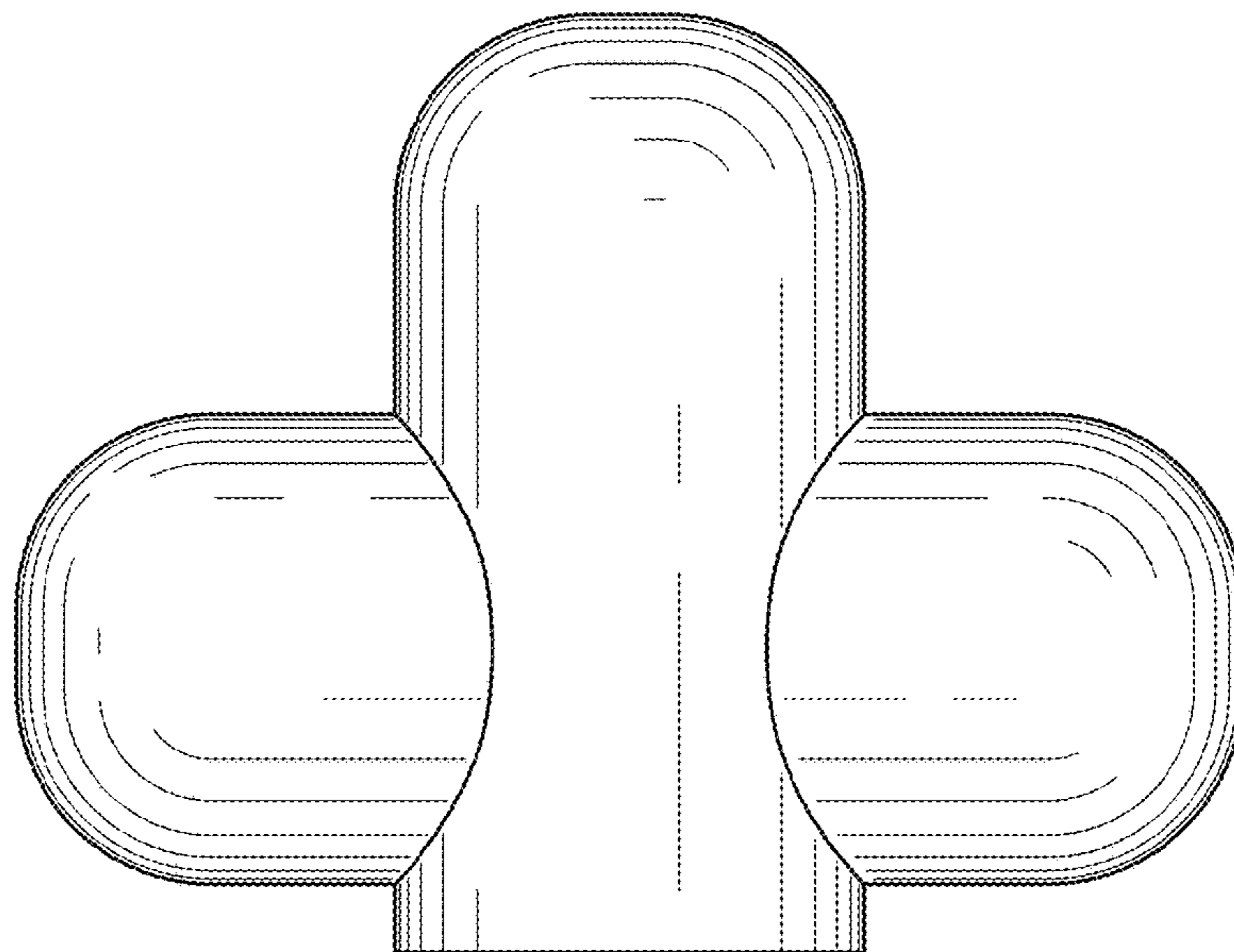


FIG. 1

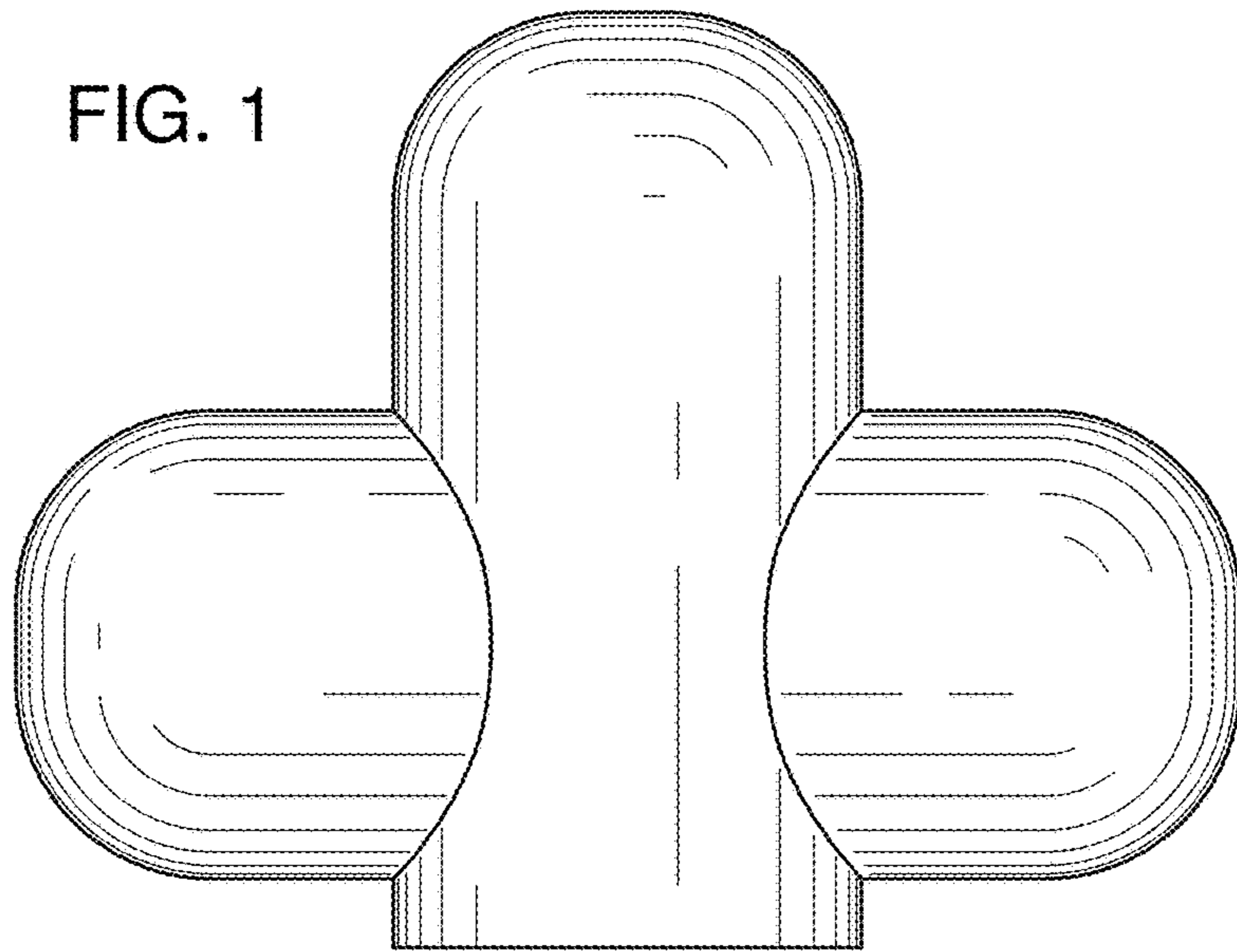


FIG. 2

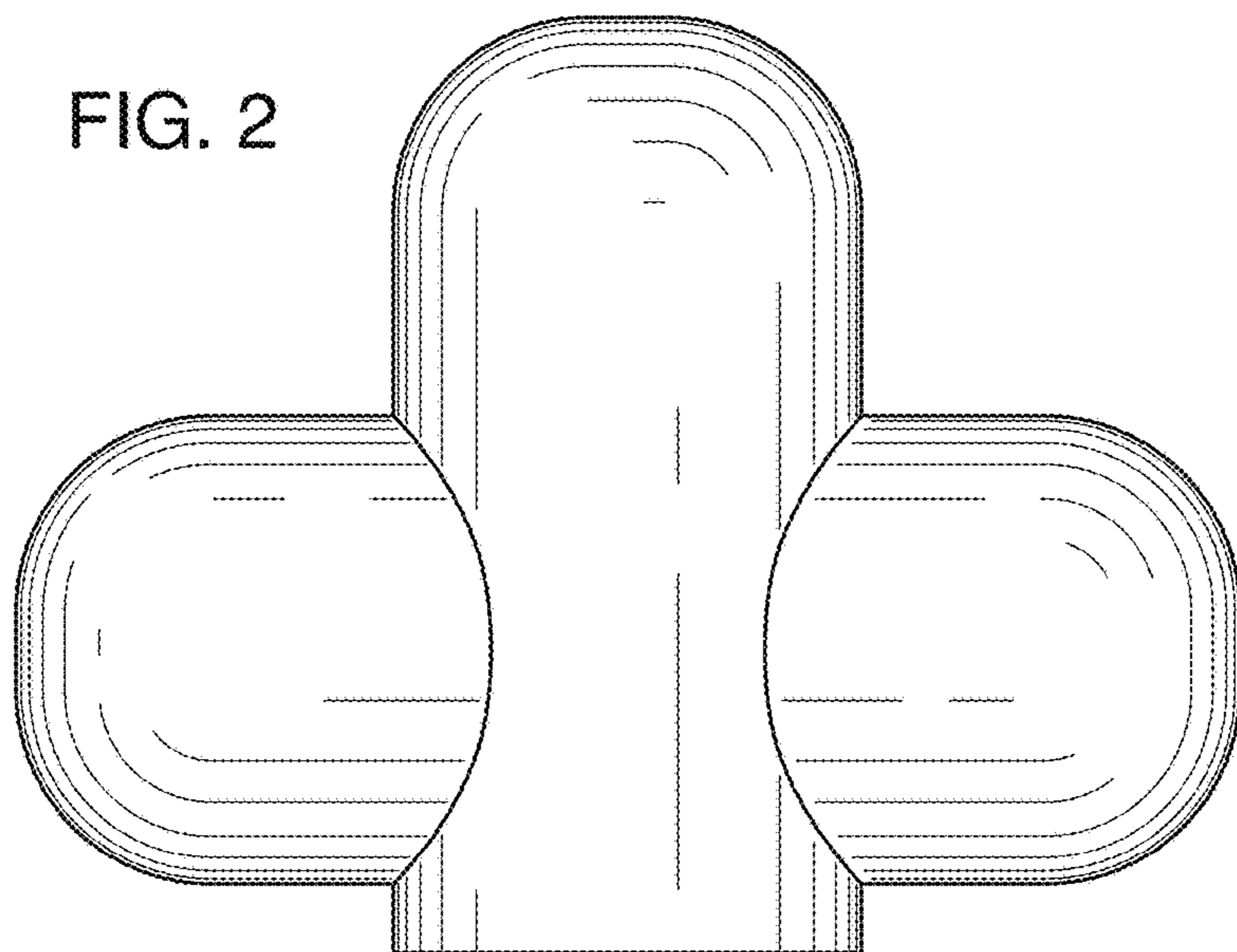


FIG. 3

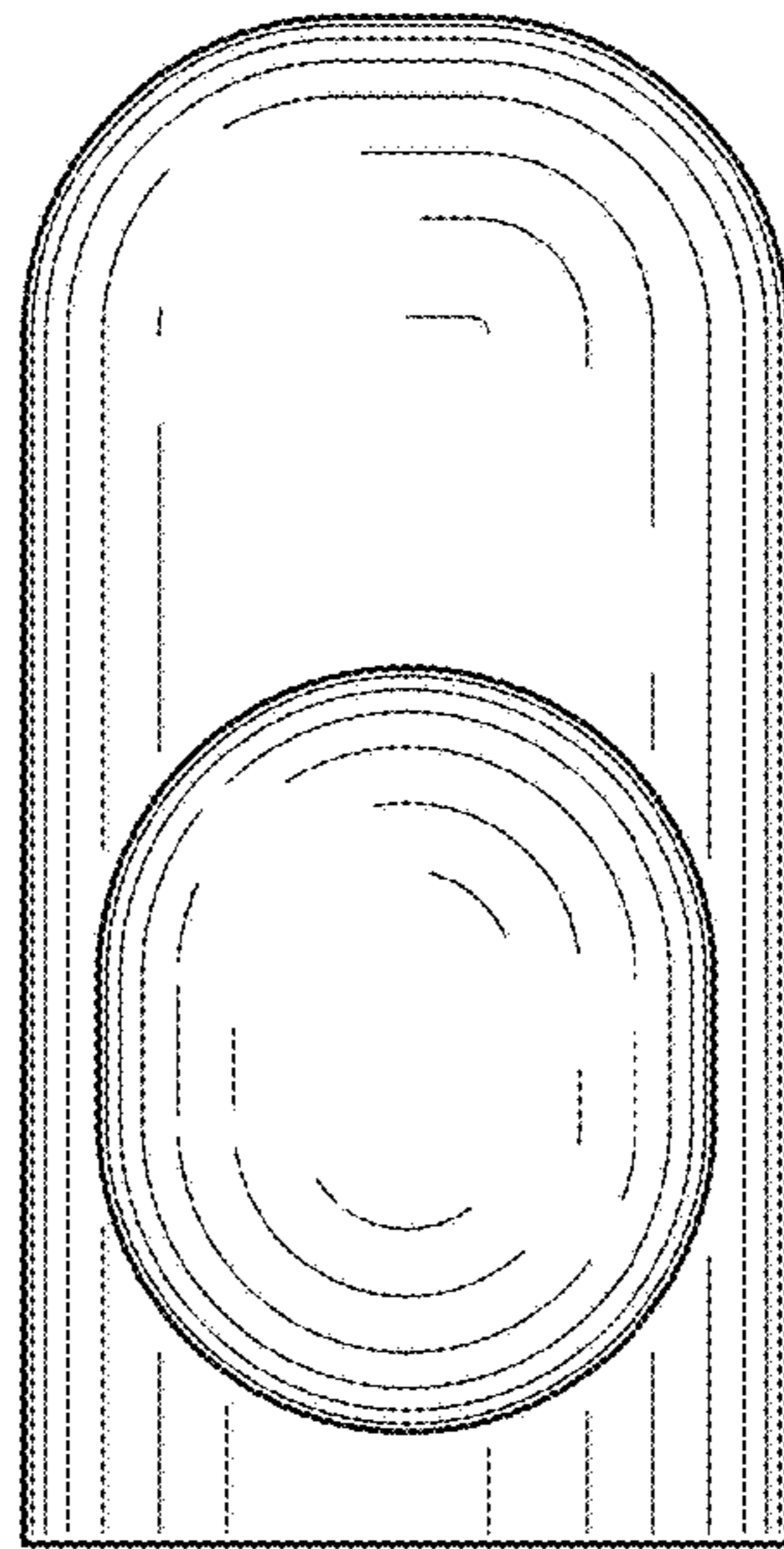


FIG. 4

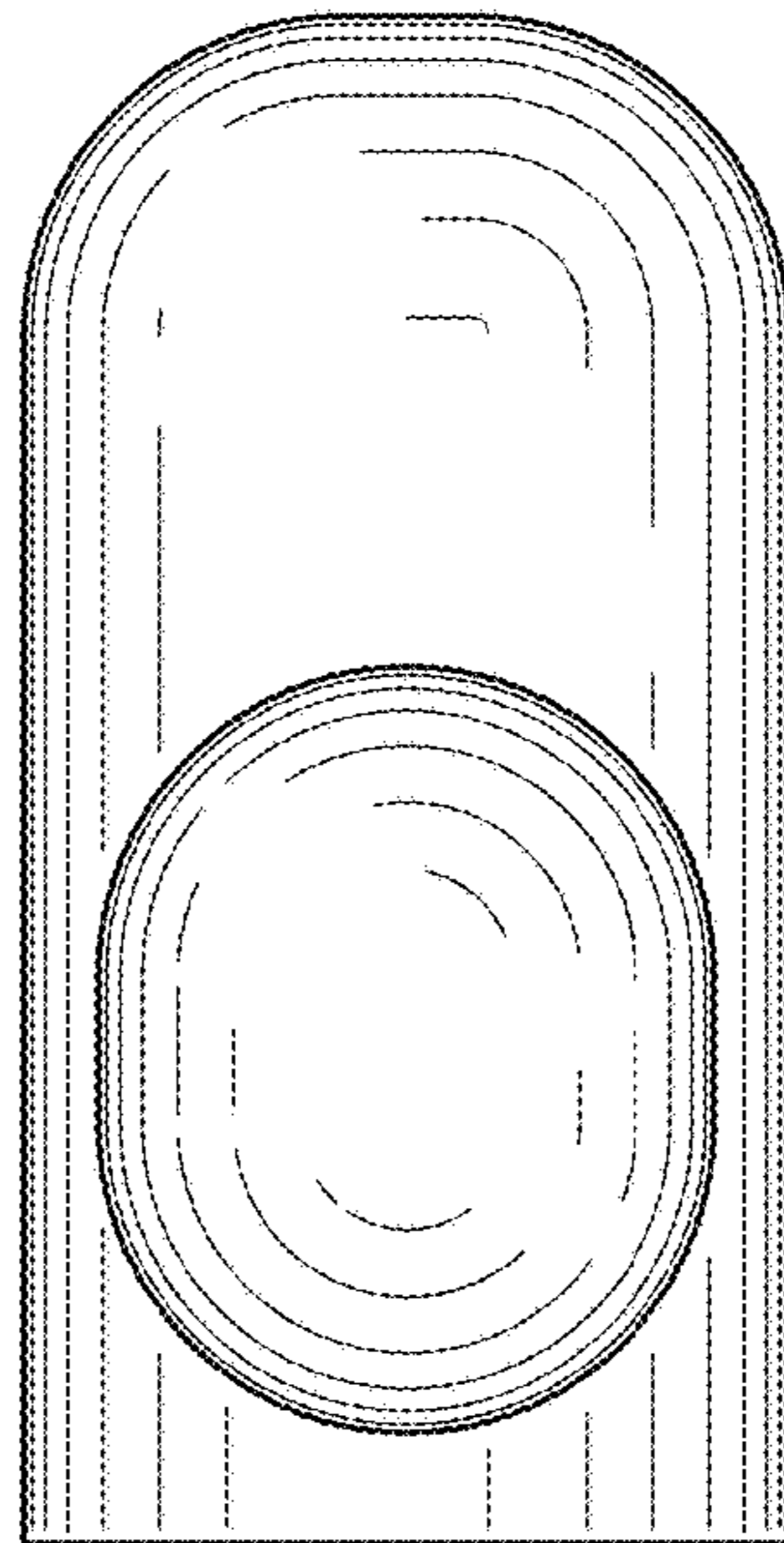


FIG. 5

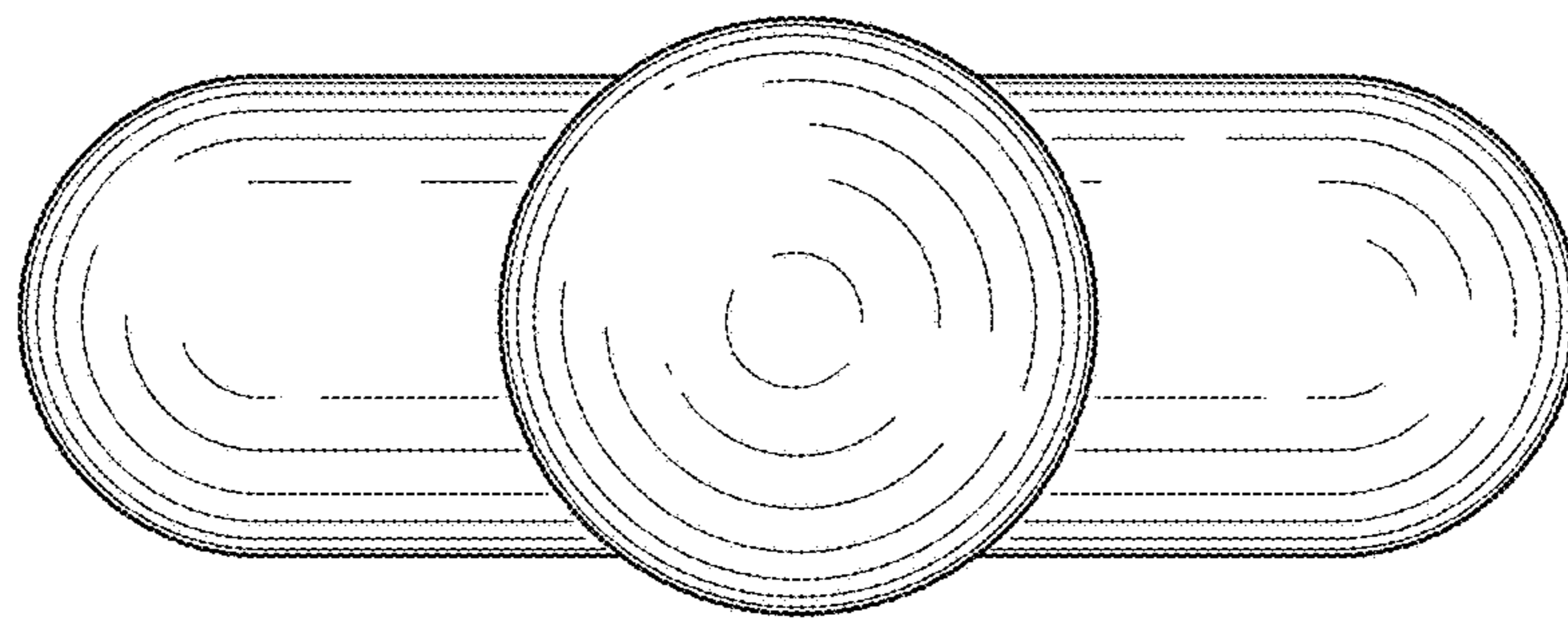


FIG. 6

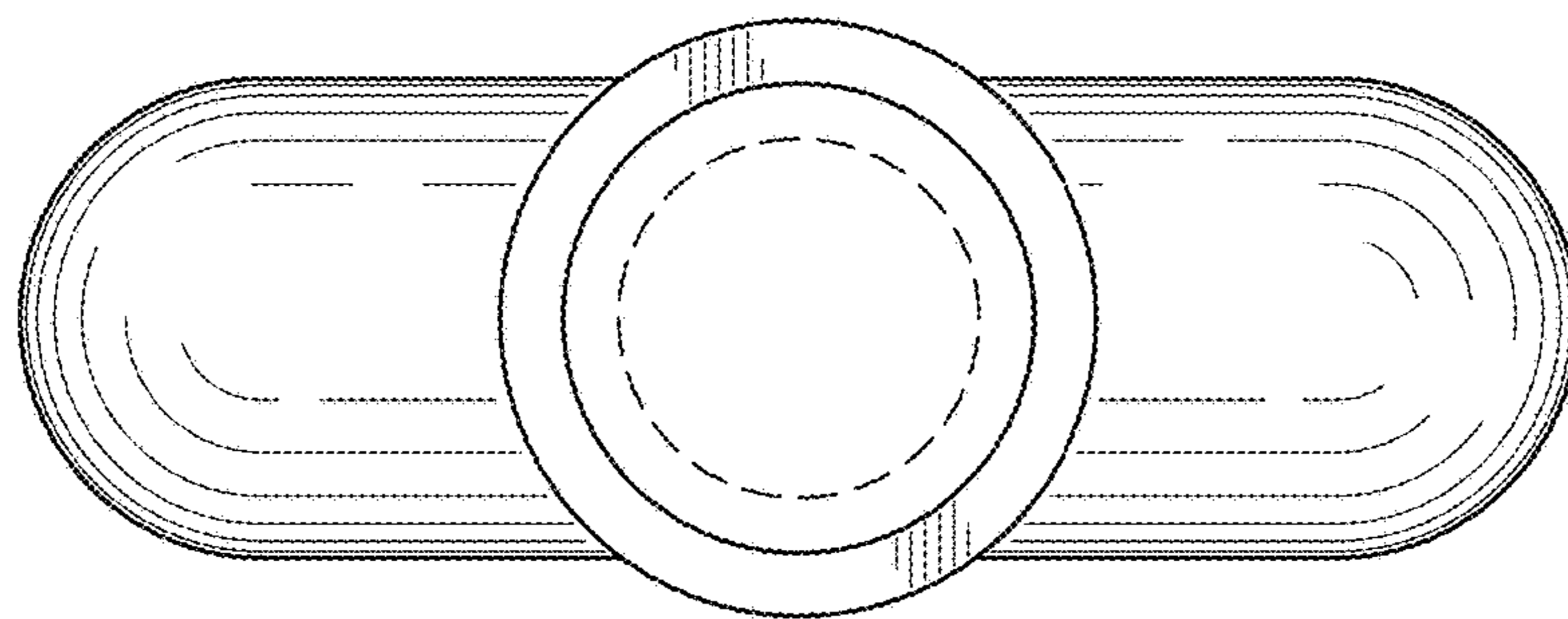


FIG. 7

