

US00D867522S

(12) **United States Design Patent**
Tentler

(10) **Patent No.:** **US D867,522 S**

(45) **Date of Patent:** **** Nov. 19, 2019**

- (54) **FAUCET SPRAYHEAD**
- (71) Applicant: **DELTA FAUCET COMPANY**,
Indianapolis, IN (US)
- (72) Inventor: **Anthony Joseph Tentler**, Windfall, IN
(US)
- (73) Assignee: **DELTA FAUCET COMPANY**,
Indianapolis, IN (US)
- (**) Term: **15 Years**
- (21) Appl. No.: **29/638,252**
- (22) Filed: **Feb. 26, 2018**
- (51) **LOC (12) Cl.** **23-01**
- (52) **U.S. Cl.**
USPC **D23/213**
- (58) **Field of Classification Search**
USPC D23/213, 255, 257, 238, 249; 4/678
CPC E03C 1/0404; E03C 1/084; B05B 1/12;
B05B 1/169; B05B 1/185; B05B 1/1627;
B05B 1/16; B05B 1/30; B05B 1/1618
See application file for complete search history.

(56) **References Cited**

U.S. PATENT DOCUMENTS

D487,135 S *	2/2004	Lord	D23/245
D519,190 S *	4/2006	Lord	D23/238
D521,109 S *	5/2006	Lord	D23/238
D522,614 S *	6/2006	Ko	D23/213
D532,868 S *	11/2006	Spangler	D23/238
D535,357 S *	1/2007	Zhou	D23/238
D557,380 S *	12/2007	Shieh	D23/238
D580,022 S *	11/2008	Gilbert	D23/255
D580,023 S *	11/2008	Gilbert	D23/255
D583,015 S *	12/2008	Soriano	D23/249
D645,123 S *	9/2011	Corbett	D23/255
D655,398 S *	3/2012	Bosio	D23/255
D677,366 S *	3/2013	Chen	D23/255

D701,942 S *	4/2014	Flowers	D23/213
D713,508 S *	9/2014	Downey	D23/238
D719,242 S *	12/2014	Kim	D23/255
D736,898 S *	8/2015	Garland	D23/238
D747,442 S *	1/2016	Mazz	D23/238
D754,301 S *	4/2016	Bahler	D23/255
D758,552 S *	6/2016	Rexach	D23/255
D797,240 S *	9/2017	Potter	D23/238
D797,257 S *	9/2017	Potter	D23/255
D802,091 S *	11/2017	Bahler	D23/213
D805,611 S *	12/2017	Rexach	D23/257
D807,989 S *	1/2018	Kaule	D23/213
D842,429 S *	3/2019	Huang	D23/213
D842,430 S *	3/2019	Huang	D23/213
D847,951 S *	5/2019	Zhang	D23/238
2007/0252022 A1 *	11/2007	Benstead	B05B 1/1618 239/590.5
2016/0136659 A1 *	5/2016	Erickson	B05B 1/1618 239/443

* cited by examiner

Primary Examiner — Kevin K Rudzinski

(74) *Attorney, Agent, or Firm* — Edgar A. Zarins; Nirav D. Parikh

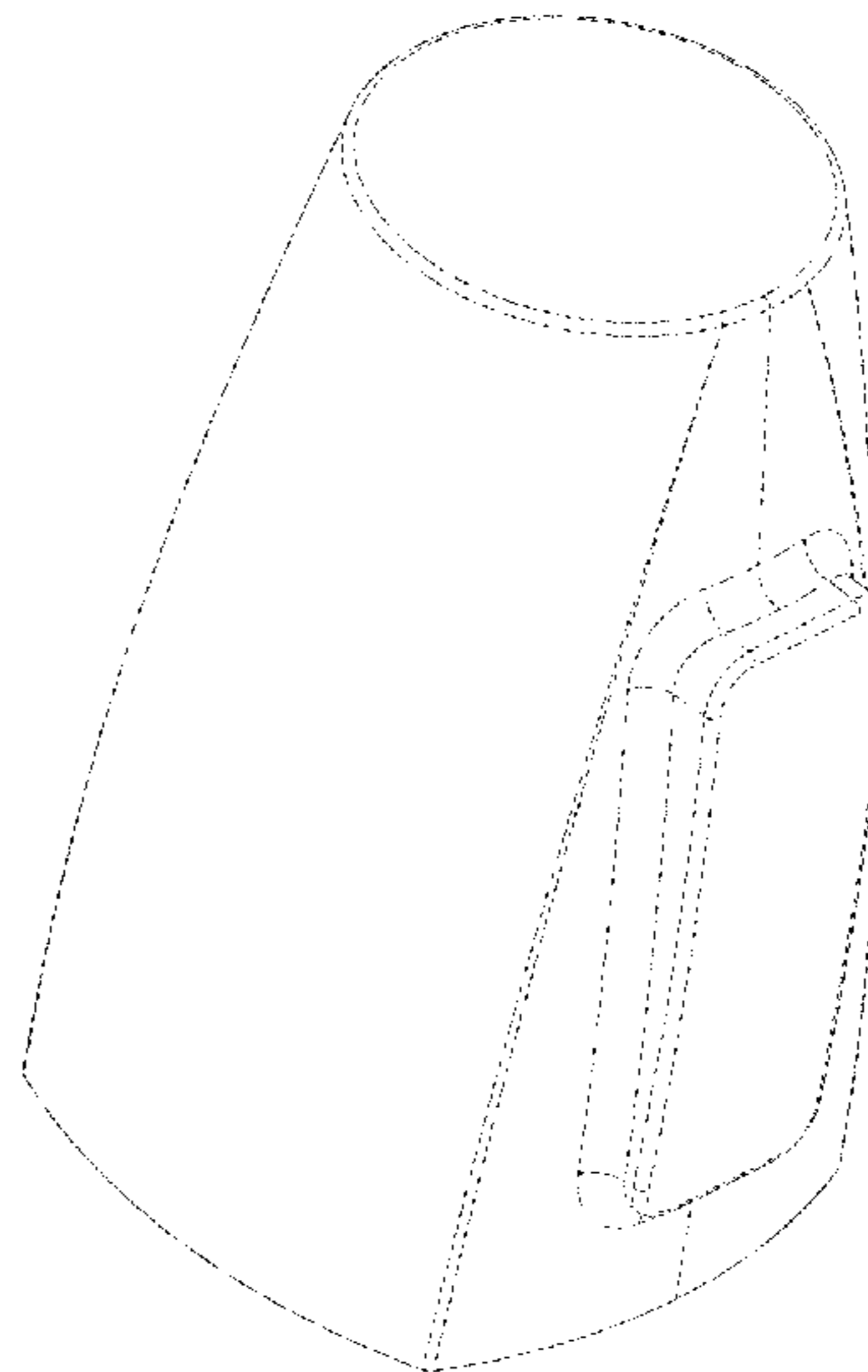
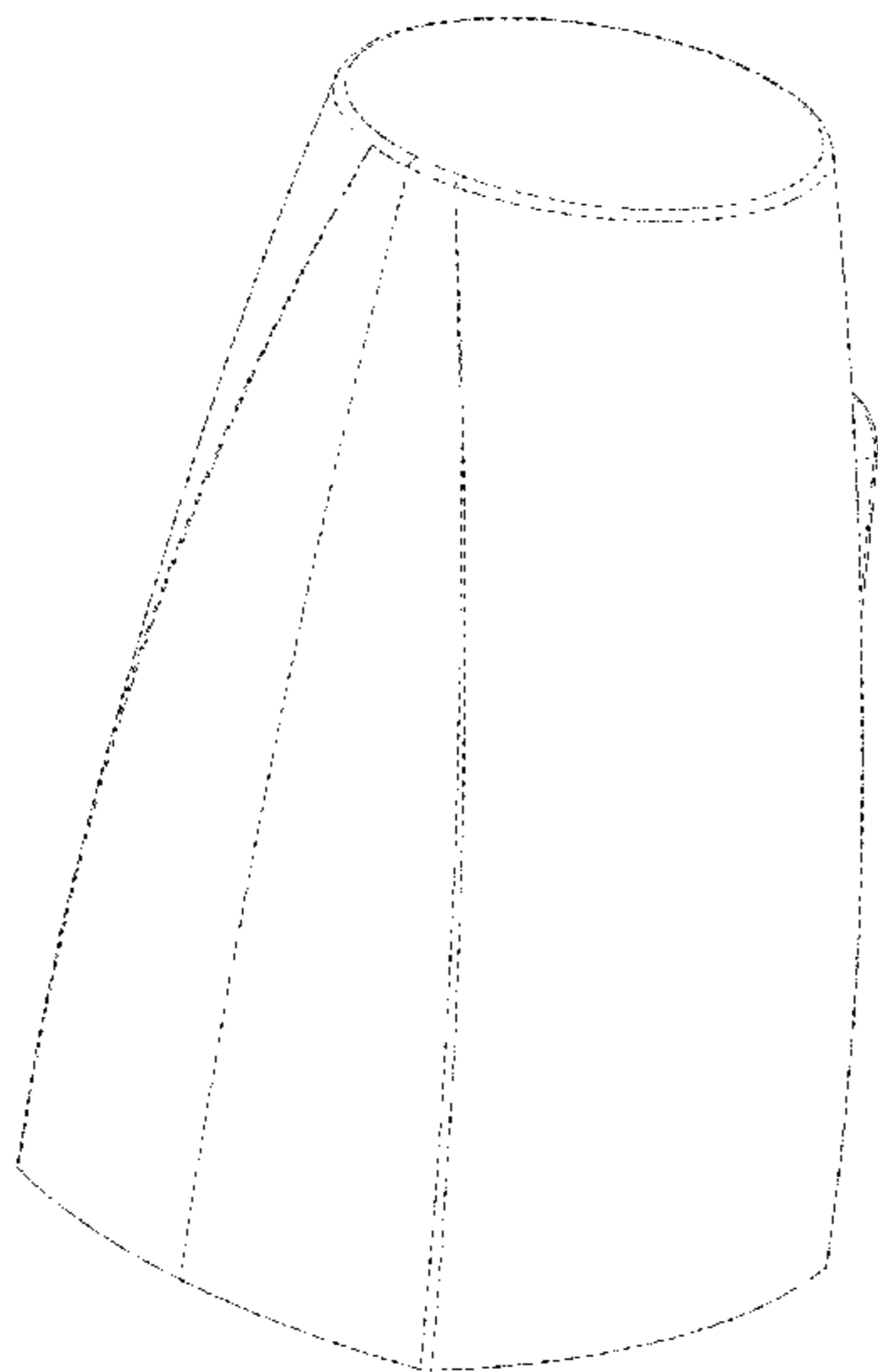
(57) **CLAIM**

The ornamental design for a faucet sprayhead, as shown and described.

DESCRIPTION

FIG. 1 is a first perspective view of a faucet sprayhead showing my new design;
 FIG. 2 is a second perspective view thereof;
 FIG. 3 is a front elevational view thereof;
 FIG. 4 is a left side view thereof;
 FIG. 5 is a rear view thereof;
 FIG. 6 is a right side view thereof;
 FIG. 7 is a top plan view thereof; and,
 FIG. 8 is a bottom view thereof.

1 Claim, 4 Drawing Sheets



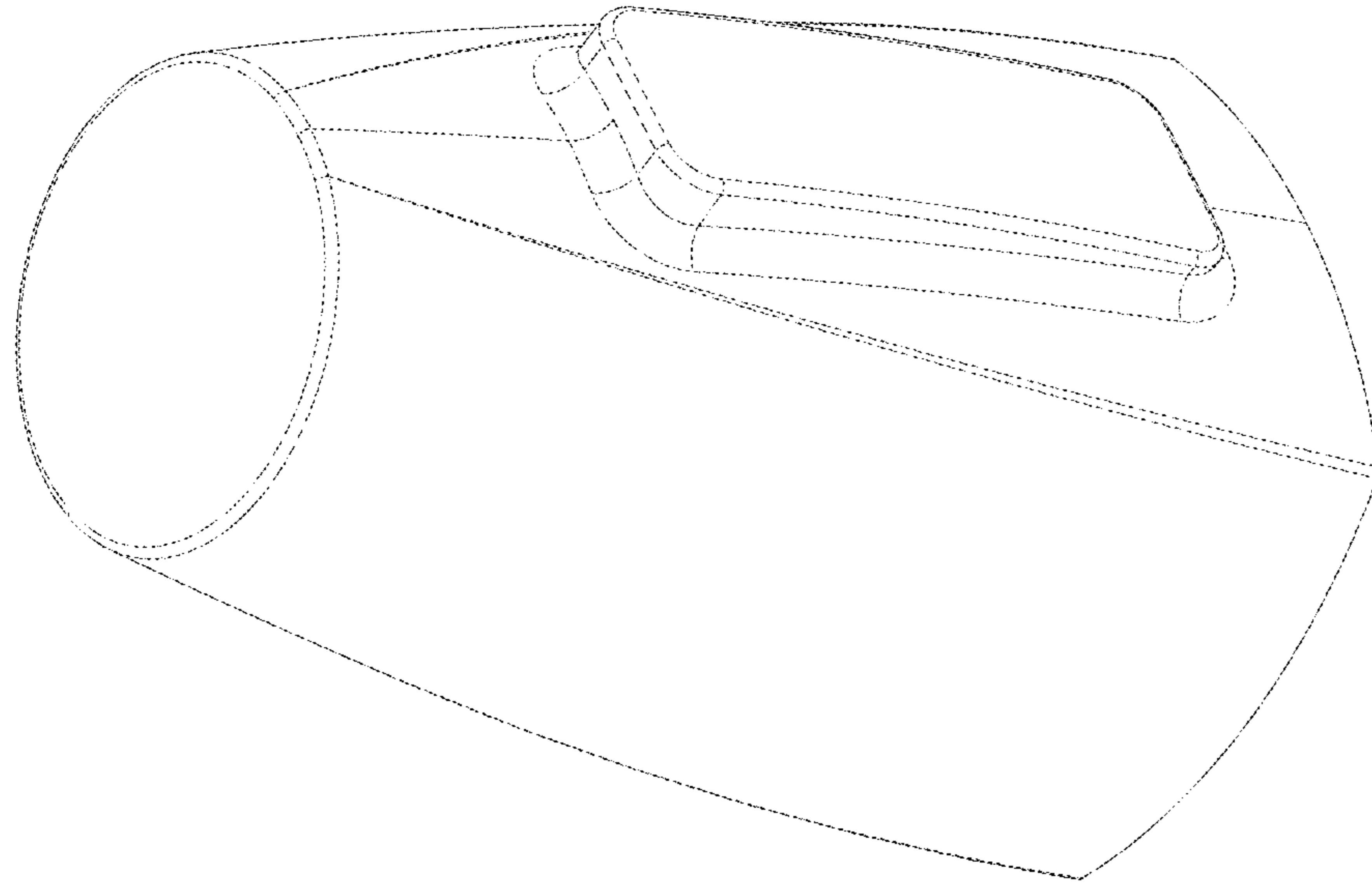


FIG - 2

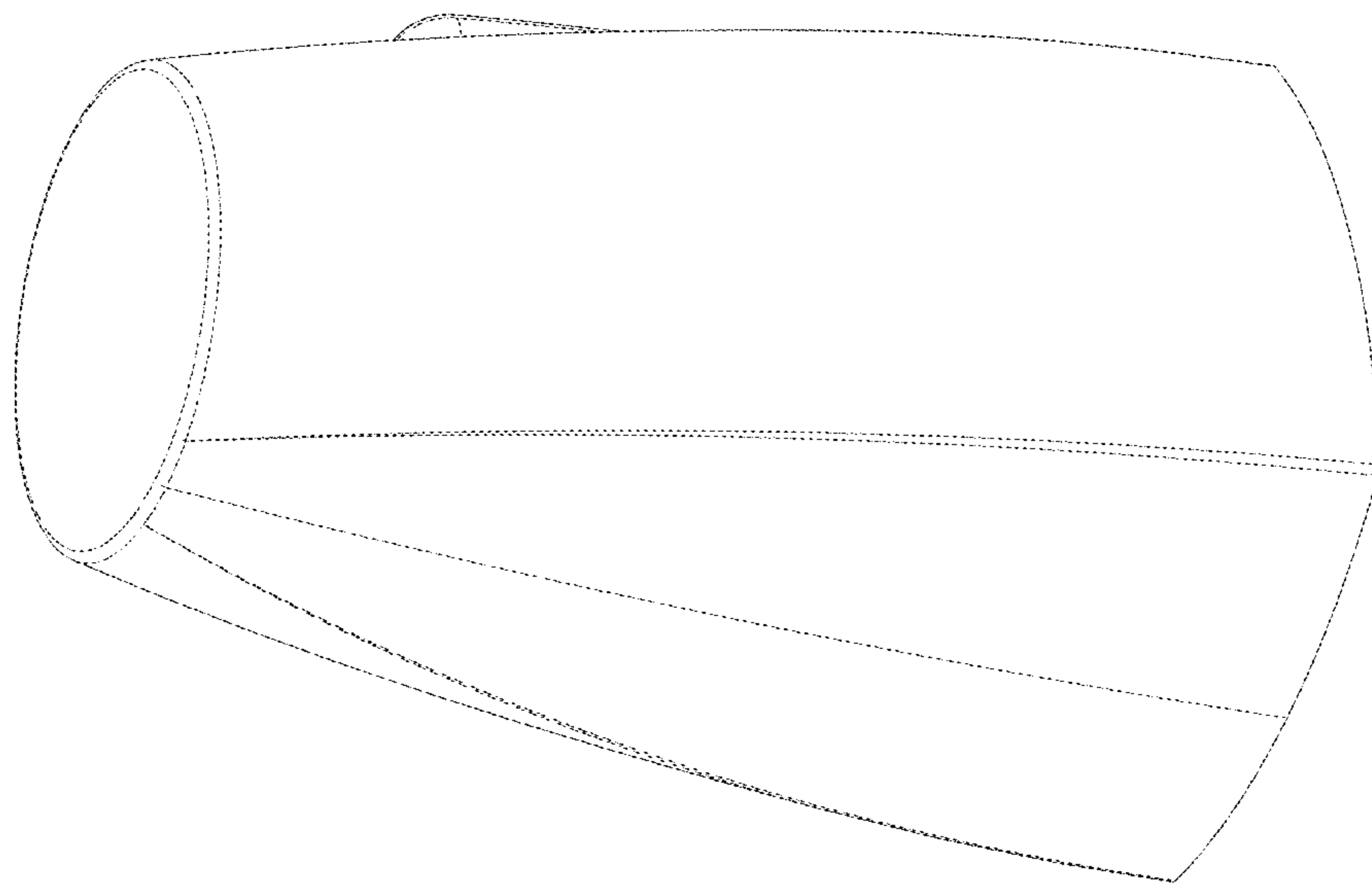


FIG - 1

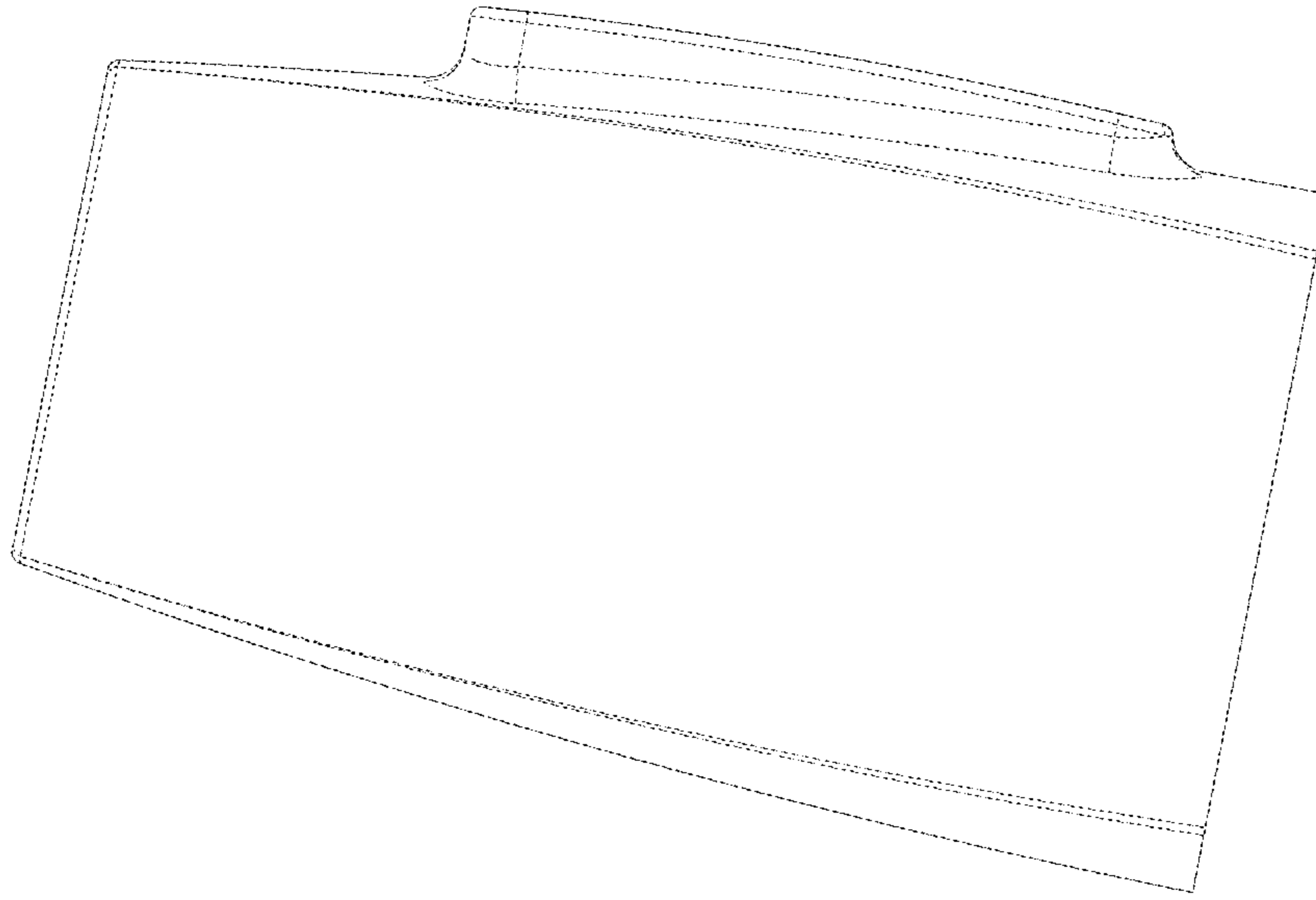


FIG - 4

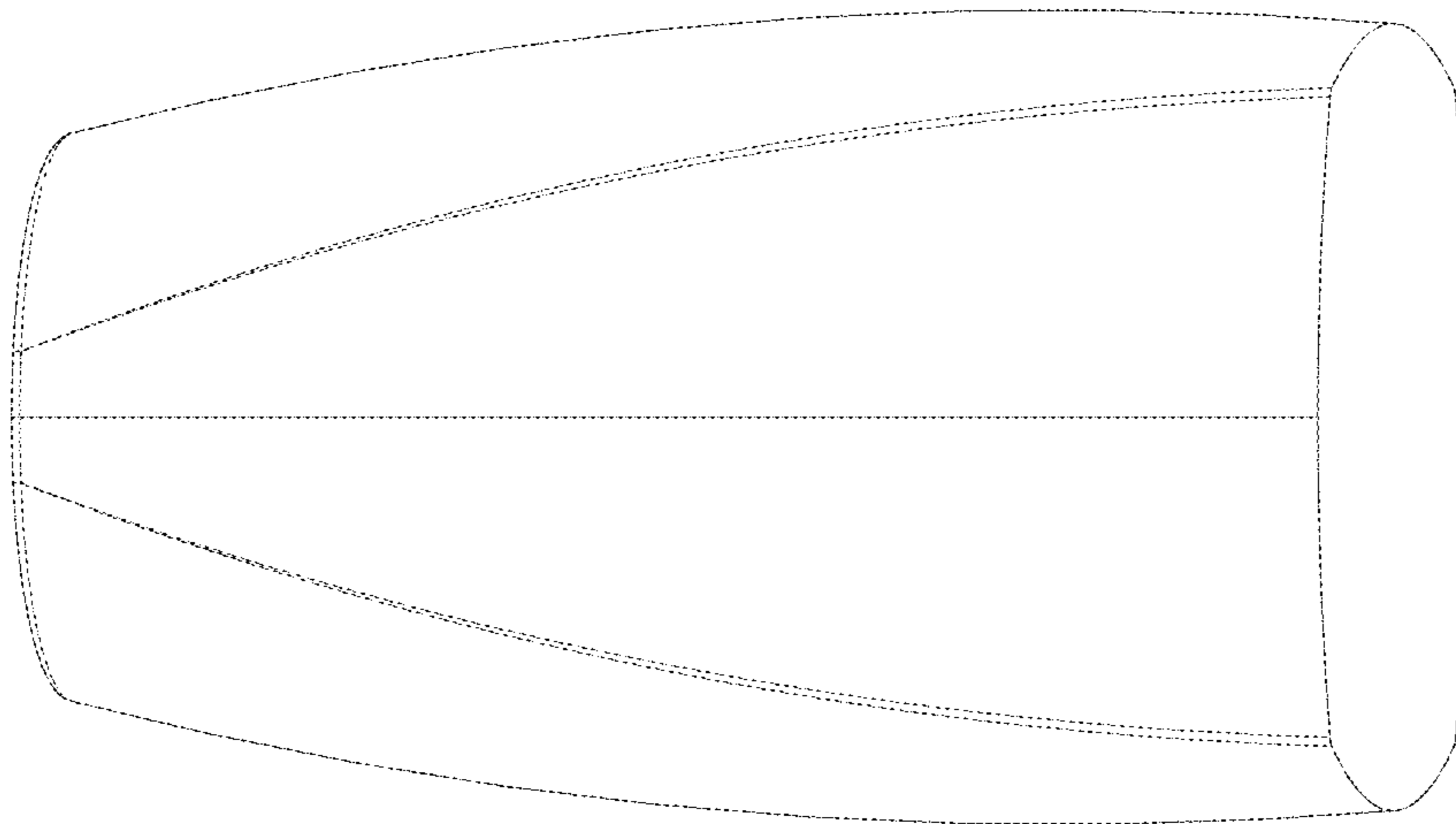


FIG - 3

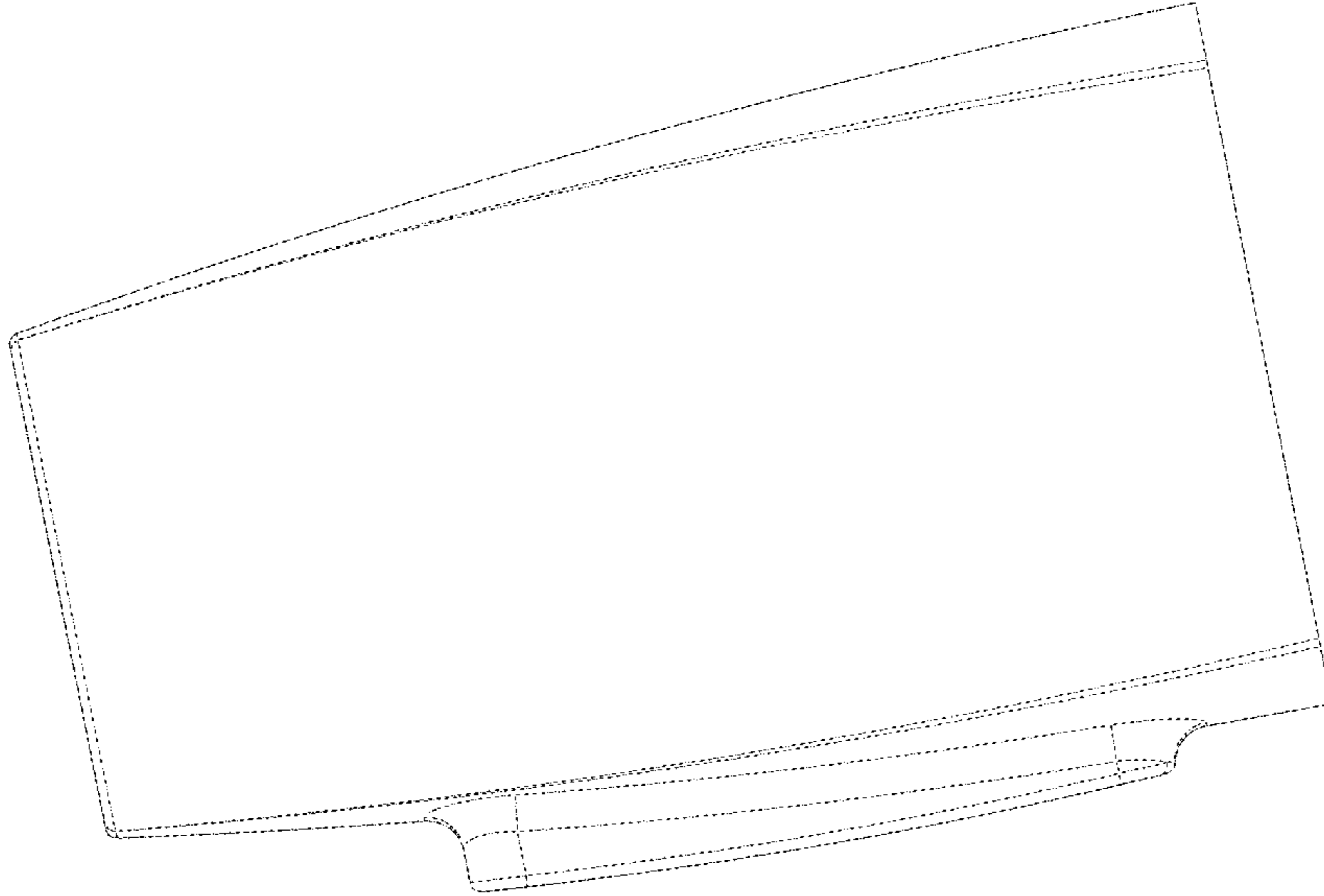


FIG - 6

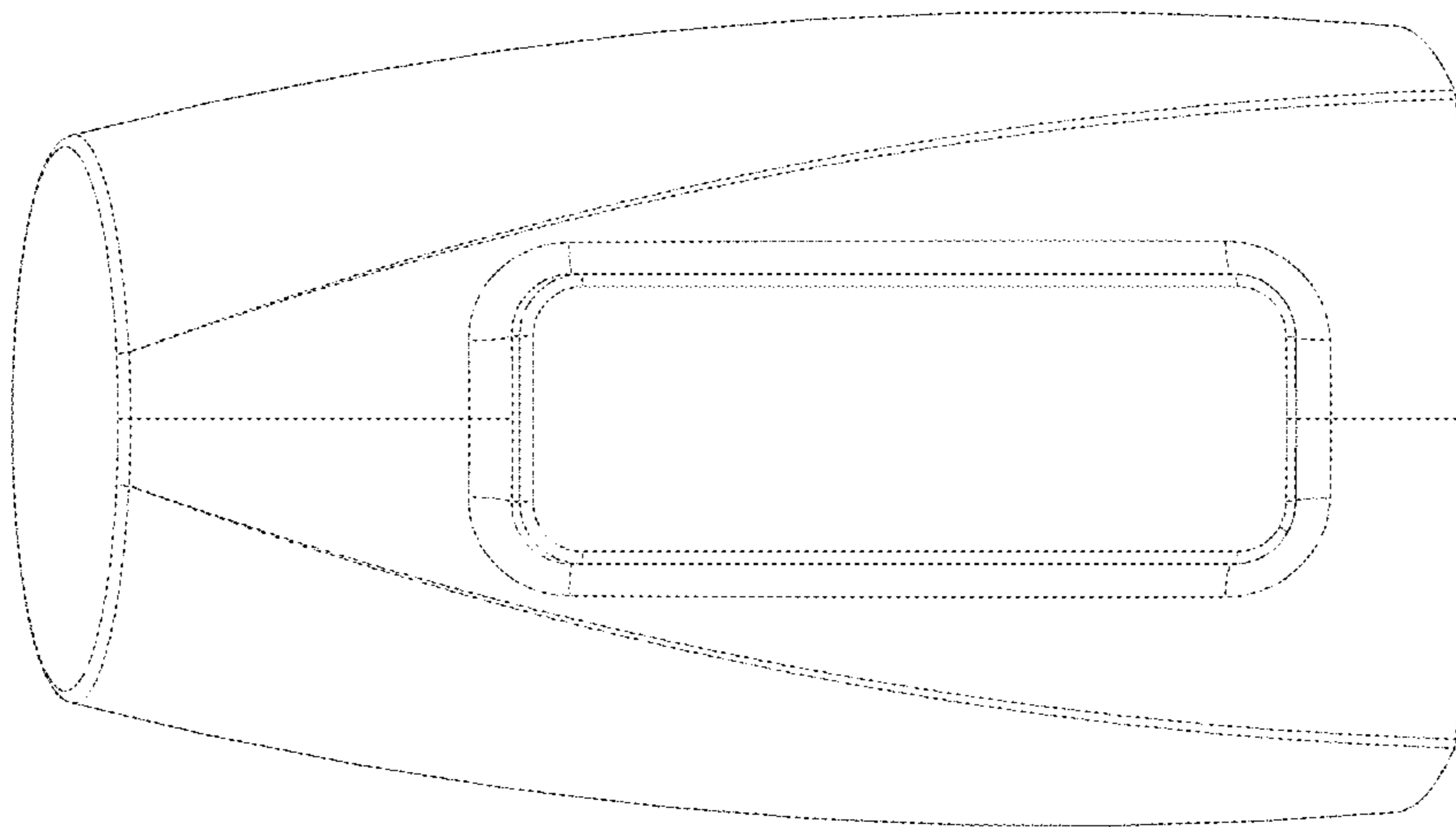


FIG - 5

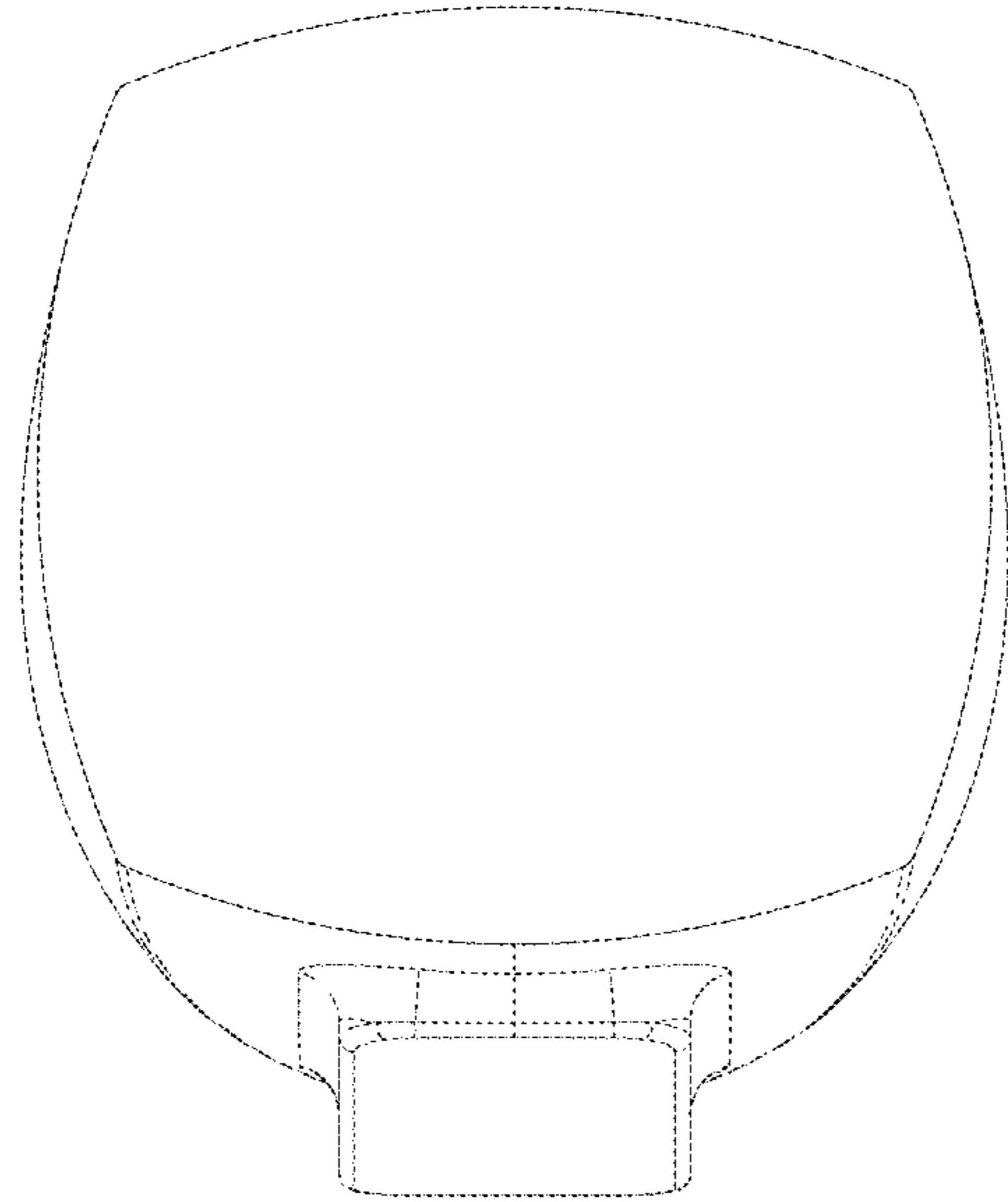


FIG - 8

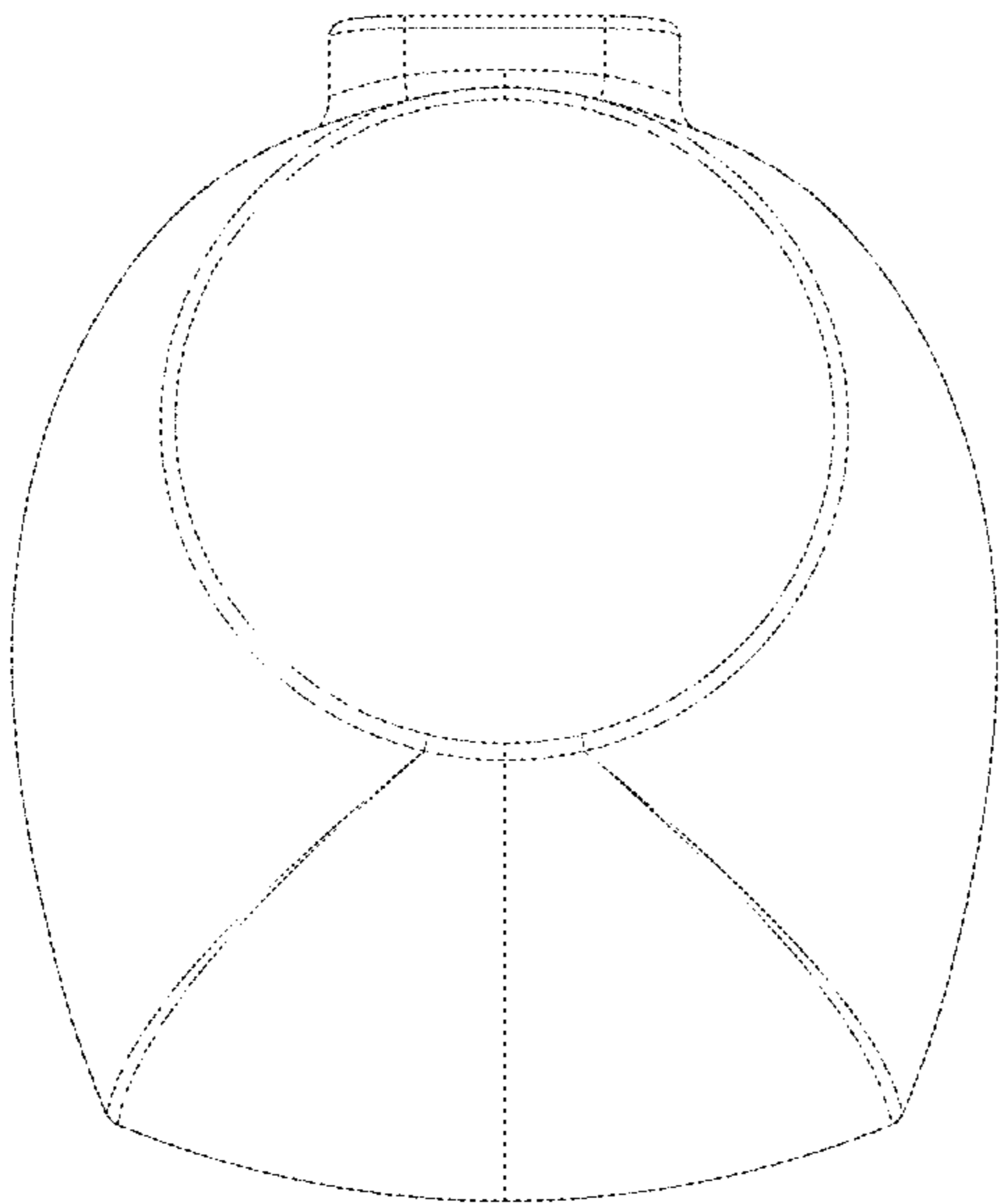


FIG - 7