



US00D867521S

(12) **United States Design Patent** (10) **Patent No.:** **US D867,521 S**
Mahdjoubi Namin (45) **Date of Patent:** **** Nov. 19, 2019**

- (54) **SHOWER**
- (71) Applicant: **ORBITAL SYSTEMS AB**, Malmö (SE)
- (72) Inventor: **Amir Mehrdad Mahdjoubi Namin**, Malmö (SE)
- (73) Assignee: **ORBITAL SYSTEMS AB**, Malmö (SE)
- (**) Term: **15 Years**
- (21) Appl. No.: **29/580,358**
- (22) Filed: **Oct. 7, 2016**

Related U.S. Application Data

- (62) Division of application No. 35/500,123, filed on Jul. 7, 2015 (U.S. filing date under 35 U.S.C. 384), and having an international filing date of Jul. 7, 2015, now Pat. No. Des. 785,137.
- (51) **LOC (12) Cl.** **23-01**
- (52) **U.S. Cl.**
USPC **D23/213**
- (58) **Field of Classification Search**
USPC D23/213, 223–226, 228–230, 255, 283, D23/304
CPC B05B 1/00; B05B 1/18; B05B 3/00; B05B 15/08
See application file for complete search history.

(56) **References Cited**

U.S. PATENT DOCUMENTS

D453,813 S *	2/2002	Gottwald	D23/223
D454,620 S *	3/2002	Starck	D23/228
D463,528 S *	9/2002	Ouyoung	D23/229
D465,012 S *	10/2002	Tauzer	D23/213
D495,028 S *	8/2004	Jorgensen	D23/223

D508,974 S *	8/2005	Lin	D23/223
D512,119 S *	11/2005	Haug	D23/213
D512,120 S *	11/2005	Haug	D23/213
D532,076 S *	11/2006	Mazzola	D23/213
D538,394 S *	3/2007	Sallick	D23/223
D549,302 S *	8/2007	Haug	D23/213
D556,855 S *	12/2007	Mullenmeister	D23/213
D565,155 S *	3/2008	Mullenmeister	D23/229
D567,904 S *	4/2008	Schonherr	D23/213
D580,010 S *	11/2008	Lee	D23/213
D593,640 S *	6/2009	Schoenherr	D23/213
D599,883 S *	9/2009	Tippens	D23/223
D665,055 S *	8/2012	Yanagisawa	D23/261
D694,856 S *	12/2013	Madsen	D23/229
D716,910 S *	11/2014	Huang	D23/223
D736,348 S *	8/2015	Tan	D23/213
D749,694 S *	2/2016	Madsen	D23/213
D751,176 S *	3/2016	Schoenherr	D23/213
D754,470 S *	4/2016	Rothfield	D7/392.1
D793,526 S *	8/2017	Behdjat	D23/213

(Continued)

Primary Examiner — Keli L Hill

(74) *Attorney, Agent, or Firm* — Moser Taboada

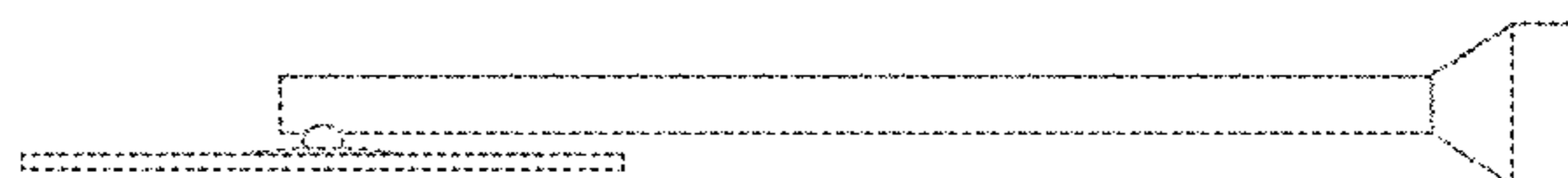
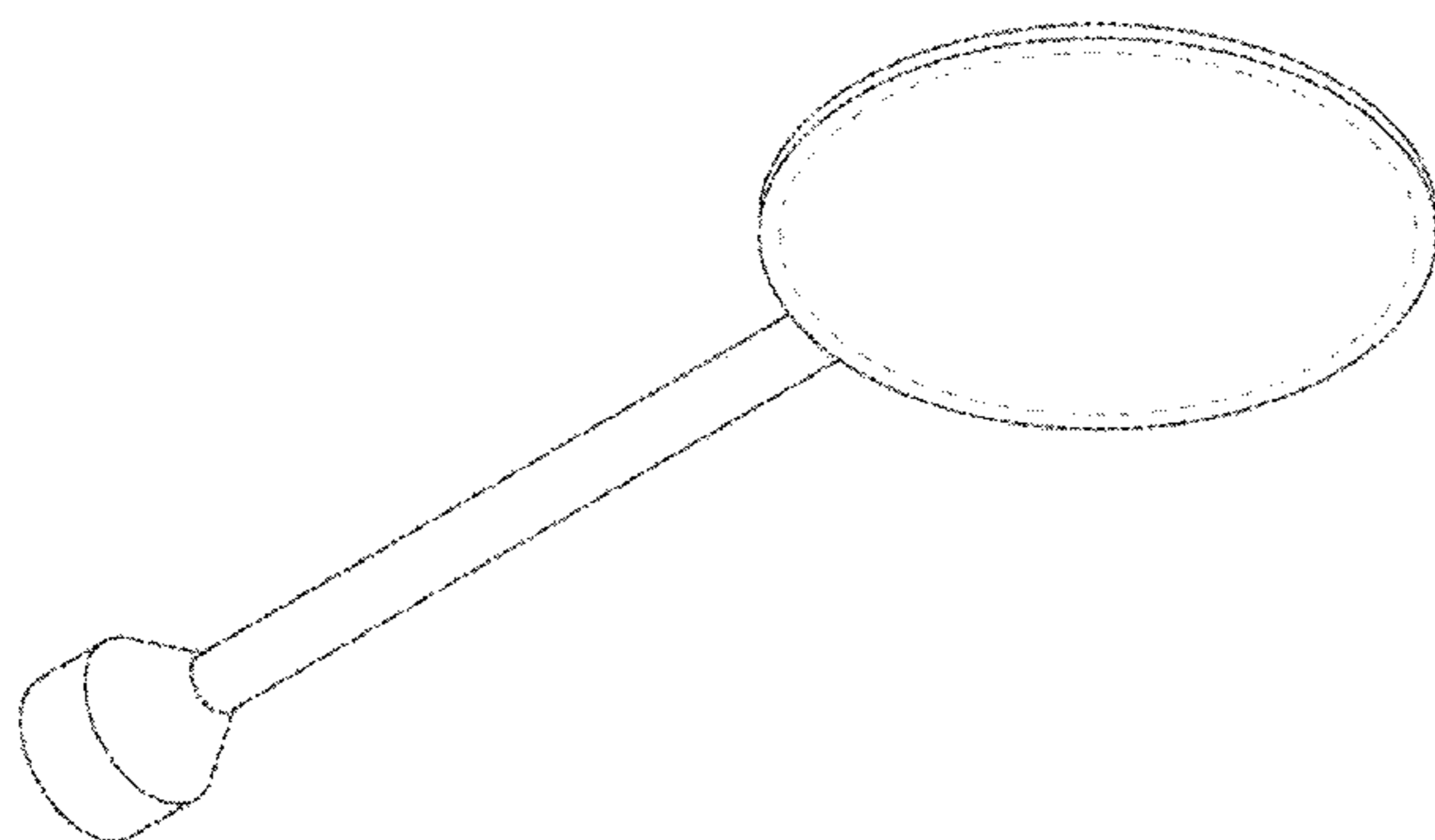
(57) **CLAIM**

The ornamental design for a shower, as shown and described.

DESCRIPTION

FIG. 1 is a front perspective view of a shower embodying a new design;
 FIG. 2 is front elevation thereof;
 FIG. 3 is a rear side elevation thereof;
 FIG. 4 is a right side elevation thereof;
 FIG. 5 is a left side elevation thereof;
 FIG. 6 is a top plan thereof; and,
 FIG. 7 is a bottom plan thereof.
 Broken lines, if any, shown are included for the purpose of illustrating portions of the shower that form no part of the claim.

1 Claim, 7 Drawing Sheets



(56)

References Cited

U.S. PATENT DOCUMENTS

D794,753 S * 8/2017 Miller D23/213
D828,491 S * 9/2018 Schoenherr D23/213

* cited by examiner

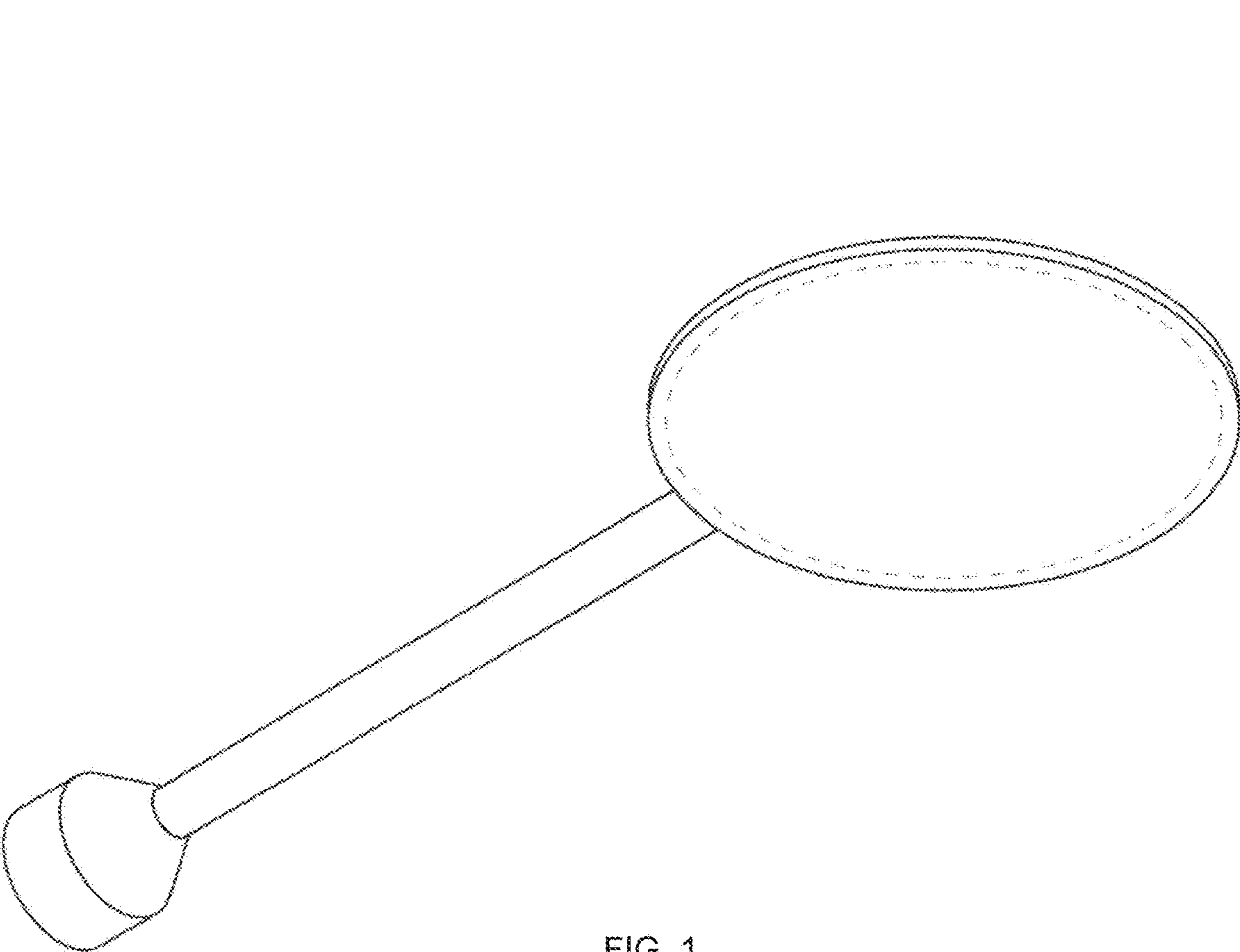


FIG. 1

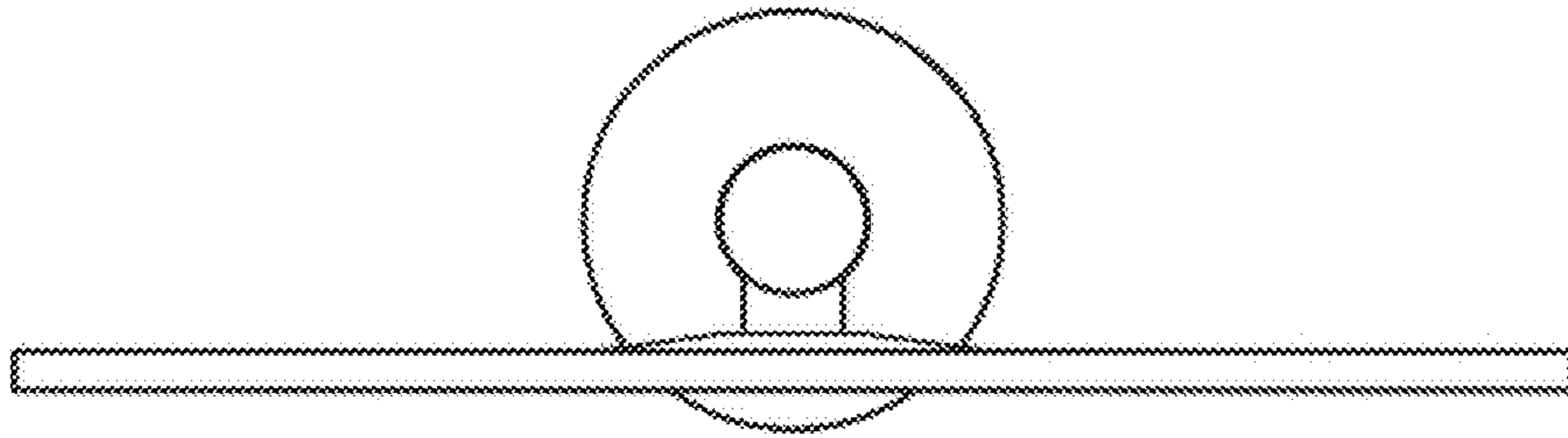


FIG. 2

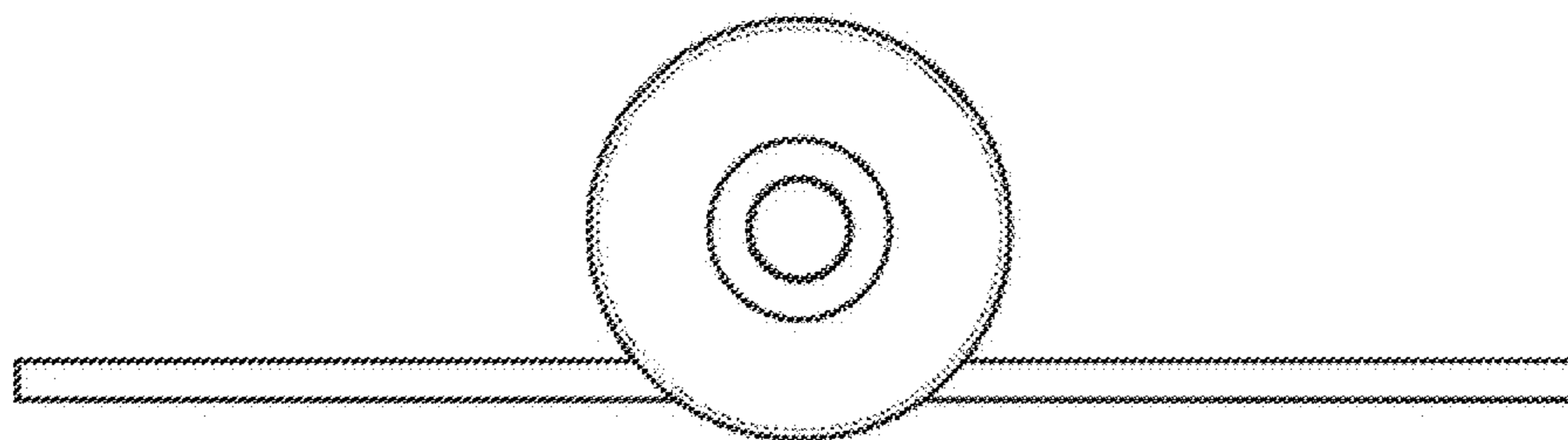


FIG. 3

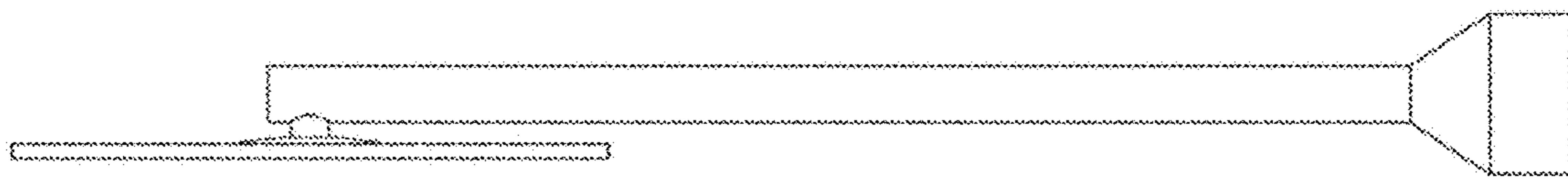


FIG. 4

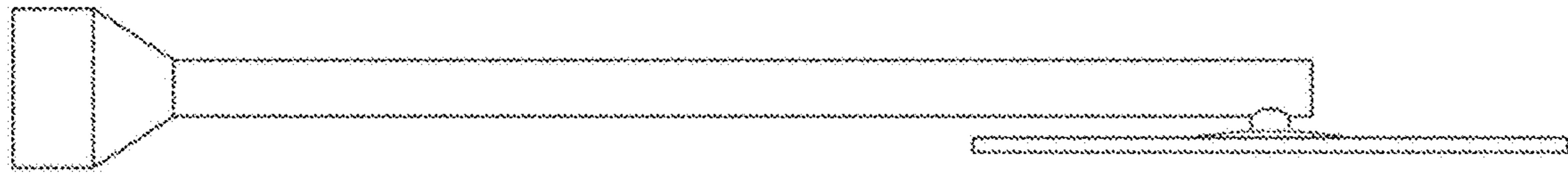


FIG. 5

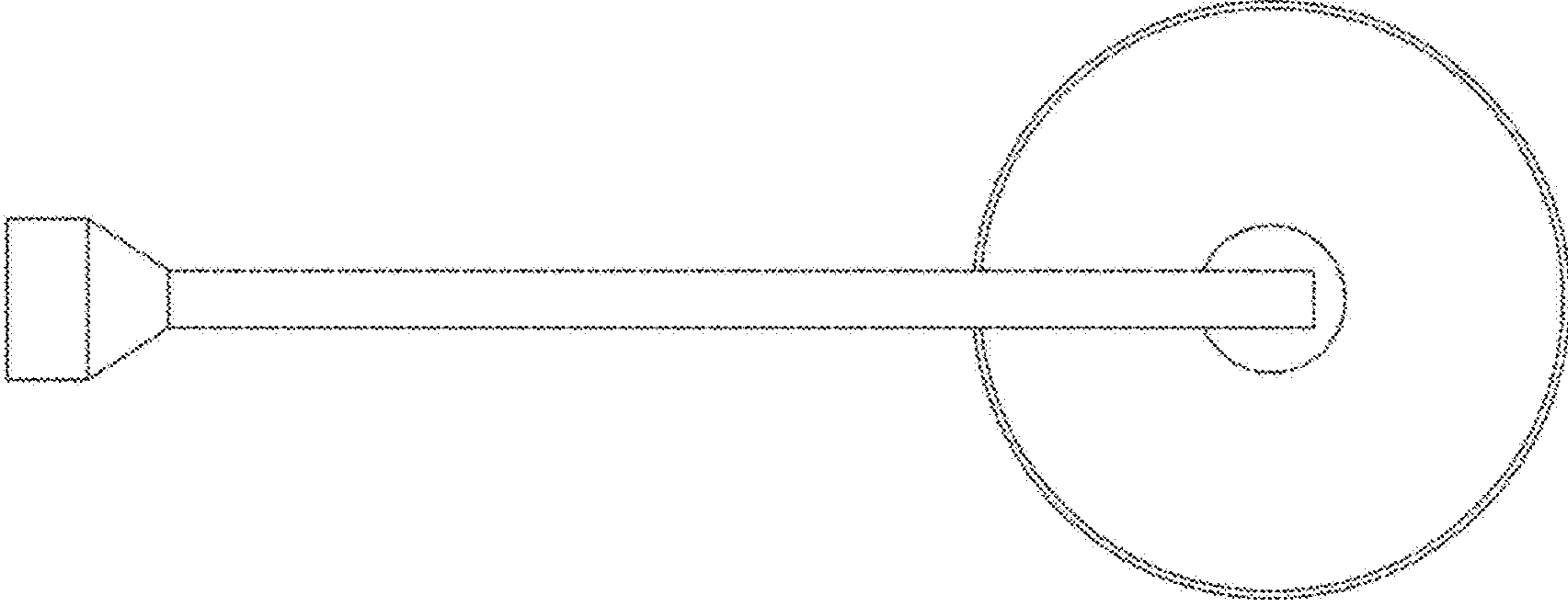


FIG. 6

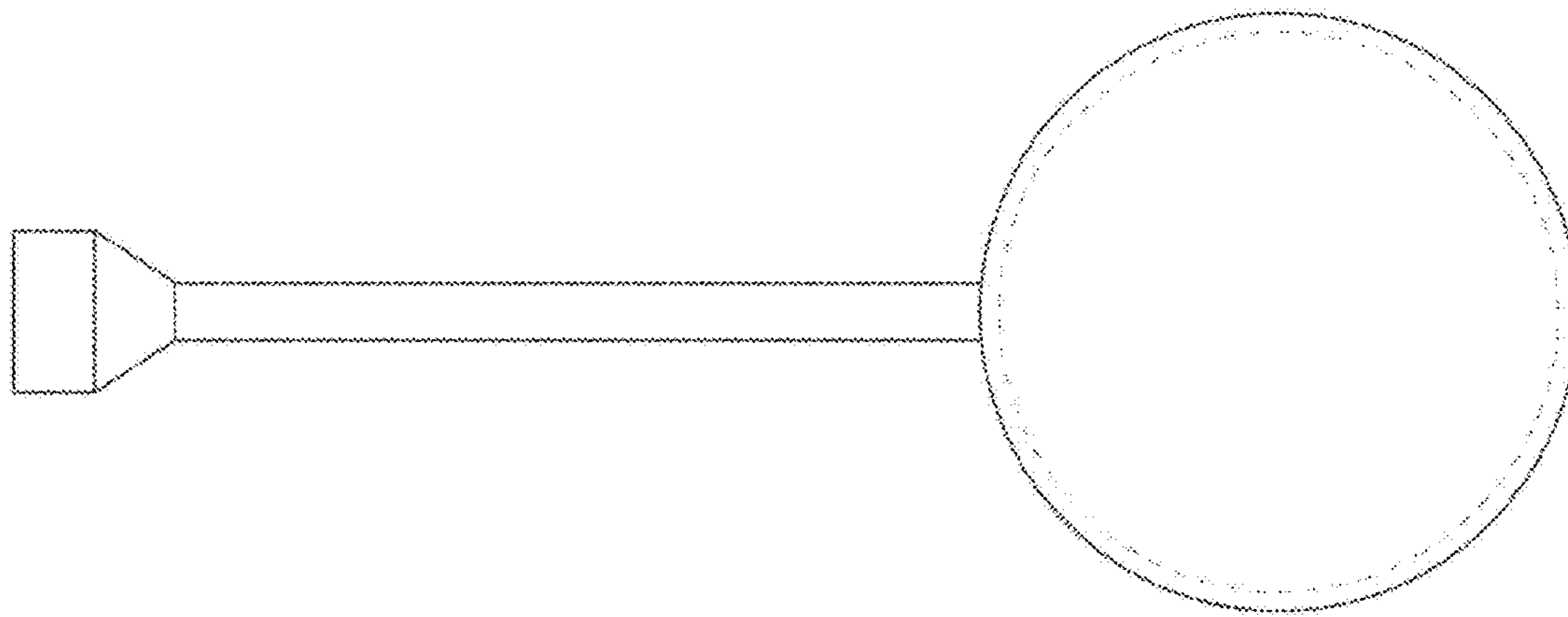


FIG. 7