



US00D867518S

(12) **United States Design Patent** (10) **Patent No.:** **US D867,518 S**  
**Wagner** (45) **Date of Patent:** **\*\* Nov. 19, 2019**

- (54) **BRACKET FOR A FISHING POLE**
- (71) Applicant: **Steve V. Wagner**, Riverside, CA (US)
- (72) Inventor: **Steve V. Wagner**, Riverside, CA (US)
- (\*\*) Term: **15 Years**
- (21) Appl. No.: **29/687,830**
- (22) Filed: **Apr. 16, 2019**

- 6,357,639 B1 3/2002 Williams
- 6,493,982 B1 12/2002 Macaluso
- 6,561,471 B1\* 5/2003 Hawie ..... A01K 97/10  
211/60.1
- 6,748,691 B2 6/2004 Doucette
- 7,533,485 B2 5/2009 Nyland
- 7,707,766 B2 5/2010 Millen et al.
- 8,307,579 B2 11/2012 Nyland
- (Continued)

**Related U.S. Application Data**

- (63) Continuation-in-part of application No. PCT/US2019/018633, filed on Feb. 19, 2019, which is a continuation of application No. 16/215,494, filed on Dec. 10, 2018, now Pat. No. 10,244,746.
- (51) **LOC (12) Cl.** ..... **22-05**
- (52) **U.S. Cl.**  
USPC ..... **D22/147**
- (58) **Field of Classification Search**  
USPC ..... D22/147, 134, 137; 43/18.1 R, 21.2,  
43/22-23, 25.2; 248/121-122.1, 201,  
248/316.5, 74.1; 256/42; 211/60.1  
CPC ..... A01K 87/08; A01K 97/10; A01K 99/00;  
F16M 11/041; F16M 3/02  
See application file for complete search history.

**References Cited**

**U.S. PATENT DOCUMENTS**

- 2,158,104 A 5/1939 Bowen
- 2,244,408 A 6/1941 Thompson
- 3,367,056 A 2/1968 Johnson
- 4,190,977 A 3/1980 Casper
- 4,485,580 A 12/1984 Ohmura
- 4,539,773 A 9/1985 Eldridge
- 4,756,114 A 7/1988 Ohmura
- 4,802,299 A 2/1989 Ohmura
- 6,065,240 A 5/2000 Paddock
- 6,105,301 A 8/2000 Ohmura
- 6,295,755 B1 10/2001 Macaluso

**OTHER PUBLICATIONS**

Amazon.com, Adjustable Stainless Steel Fishing Spinning Rod Pole Holder Ground Insert Support Stand Bracket Fishing Rod Holder Rack AU Stand Size: 140x370mm. Earliest Review Jul. 2018.\*  
(Continued)

*Primary Examiner* — Catherine R Oliver-Garcia  
(74) *Attorney, Agent, or Firm* — Kirk A. Buhler; Buhler & Associates Patenting

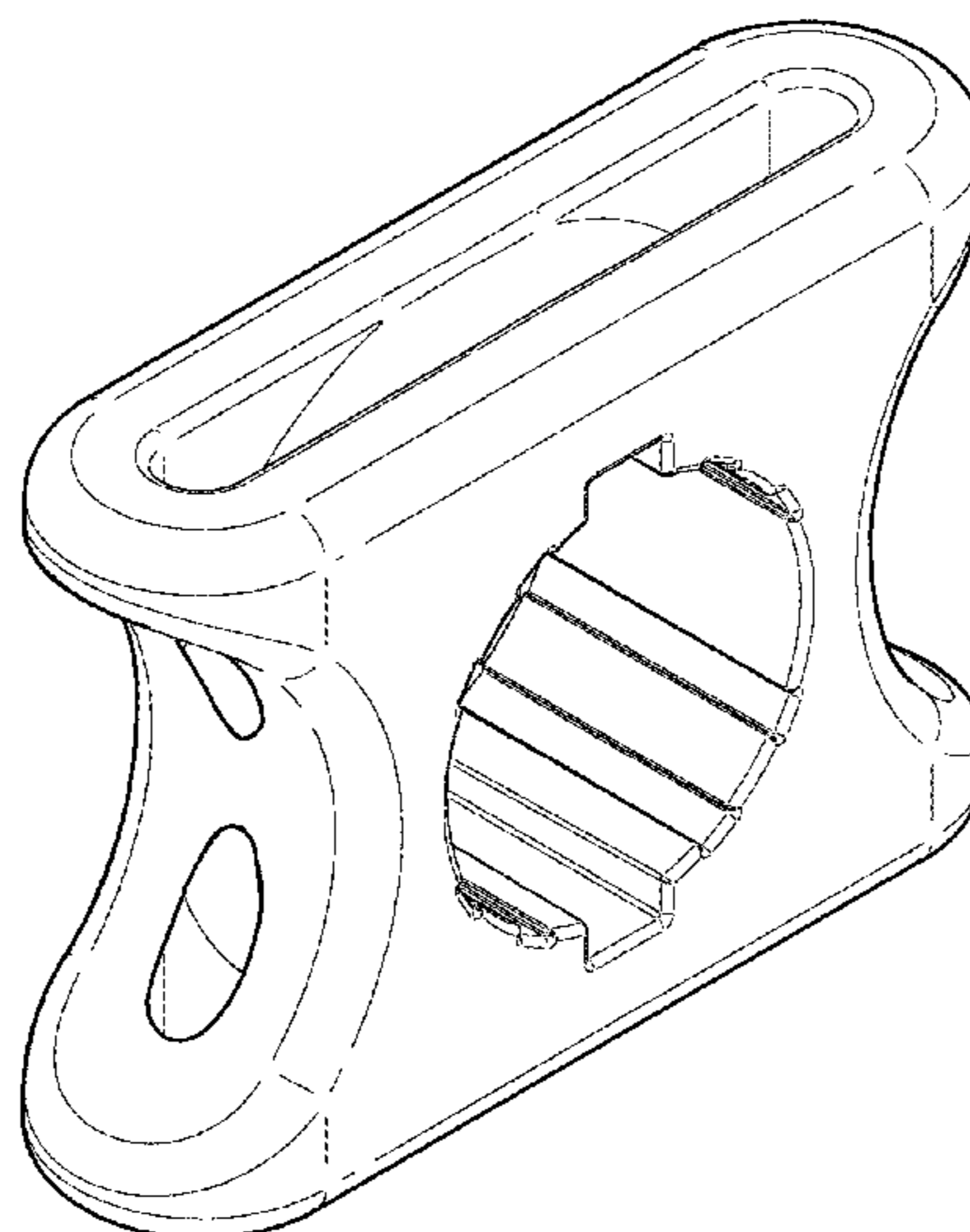
(57) **CLAIM**

The ornamental design for a bracket for a fishing pole, as shown and described.

**DESCRIPTION**

FIG. 1 is a top perspective view of a bracket for a fishing pole, showing my new design;  
FIG. 2 is a front elevation view thereof;  
FIG. 3 is a rear elevation view thereof;  
FIG. 4 is a left side view, the right side view being a mirror image thereof;  
FIG. 5 is a rear sectional view taken along lines 5-5 from FIG. 4 thereof;  
FIG. 6 is a top plan view, the bottom plan view being a mirror image thereof; and,  
FIG. 7 is a top perspective view in an environment of use. The broken lines in FIG. 7 depict environmental subject matter and form no part of the claimed design.

**1 Claim, 4 Drawing Sheets**



(56)

**References Cited**

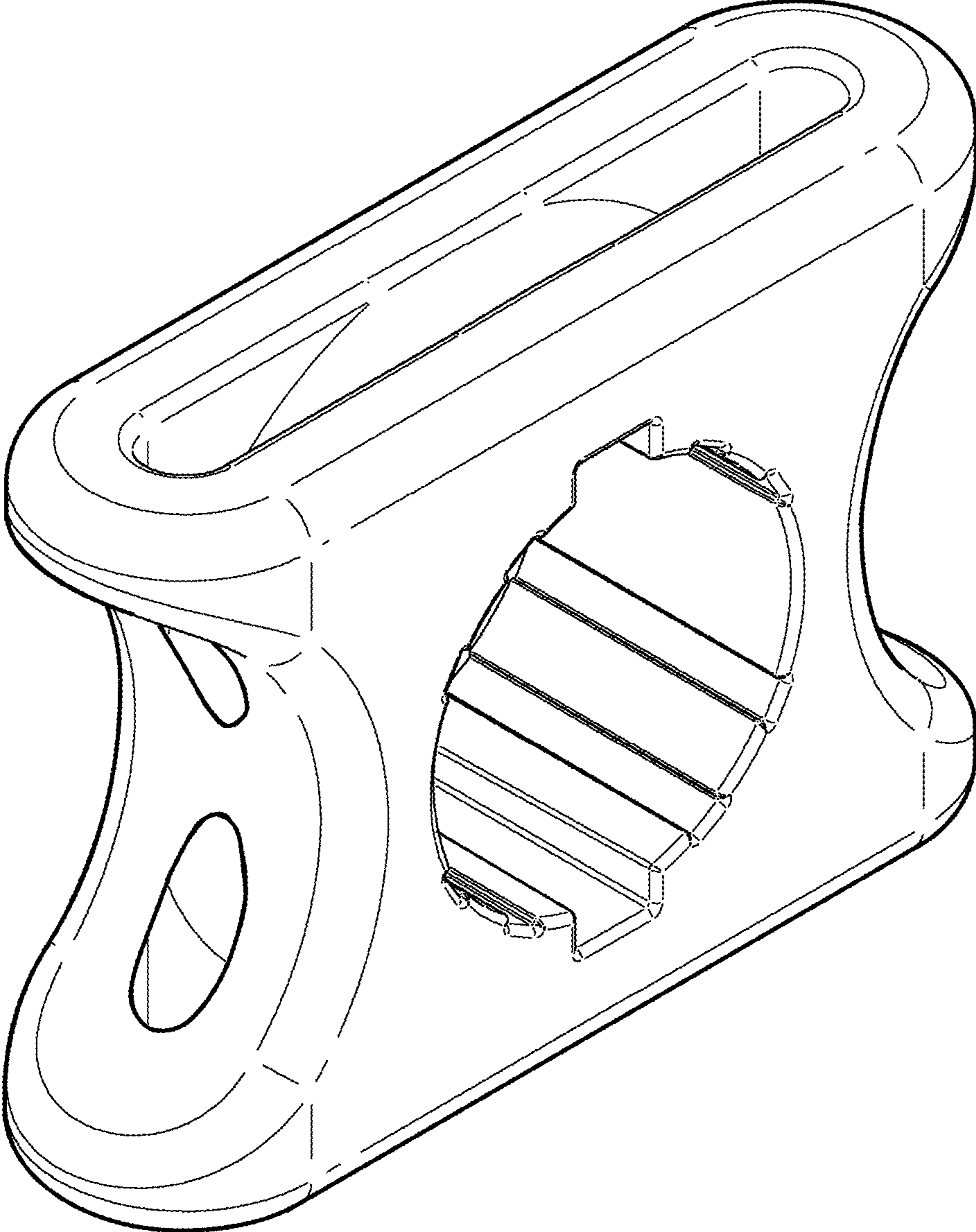
U.S. PATENT DOCUMENTS

D702,317 S \* 4/2014 Nirenberg ..... D22/134  
9,220,248 B2 12/2015 McCord  
10,179,401 B2 1/2019 Nyland  
D854,815 S \* 7/2019 Jensen ..... D3/215  
10,362,775 B1 \* 7/2019 Begin ..... A01K 99/00  
10,383,321 B2 \* 8/2019 Thomas ..... A01K 87/08  
2014/0250630 A1 9/2014 Nugent  
2018/0020651 A1 \* 1/2018 Larkin ..... A01K 97/10  
43/21.2

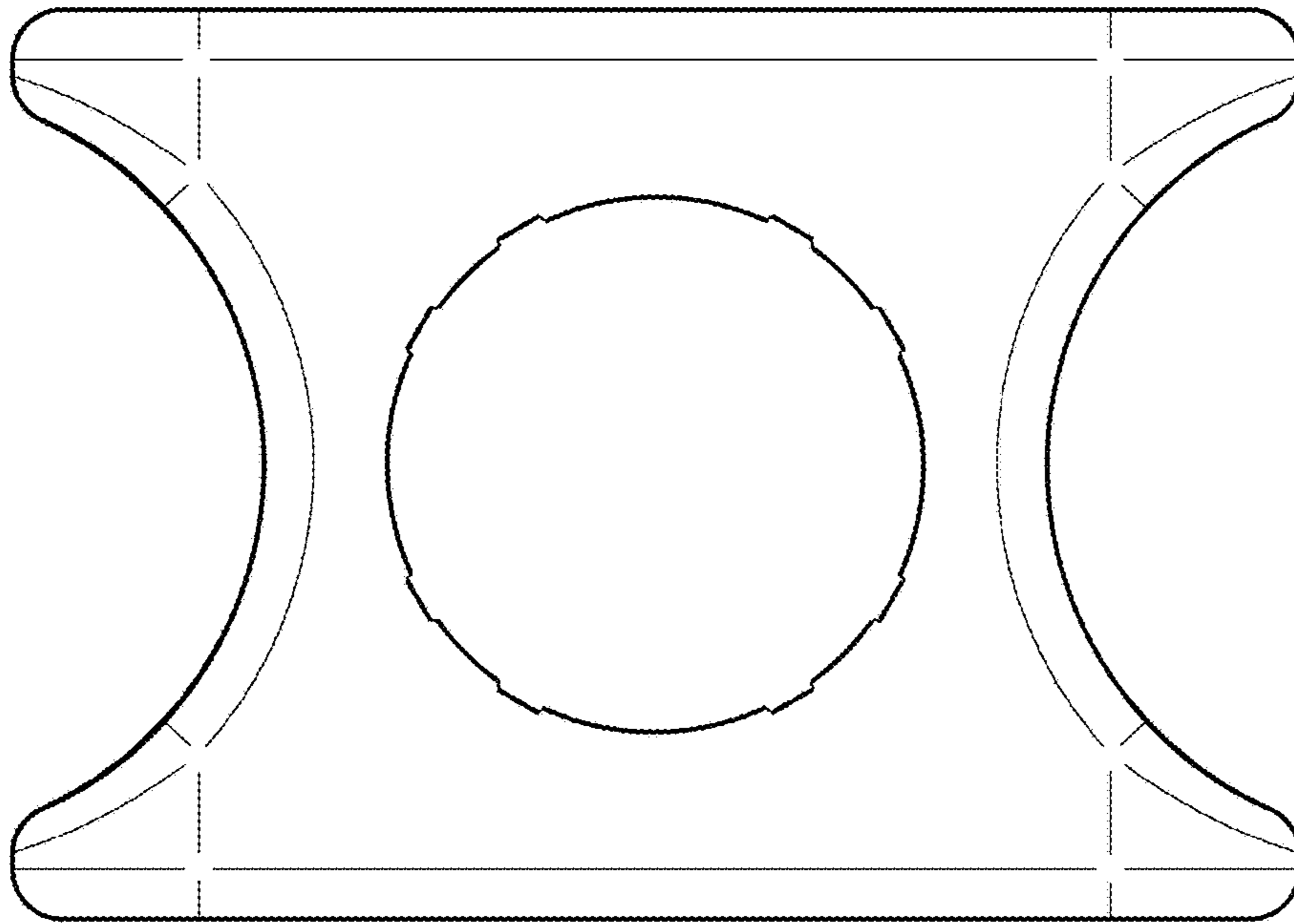
OTHER PUBLICATIONS

TheClampCO.Com, 1-1/4" Tubing Clamp (1.25" I.D.) Light Series  
Rail Mount, Date Unknown (Date of printing Sep. 9, 2019).\*

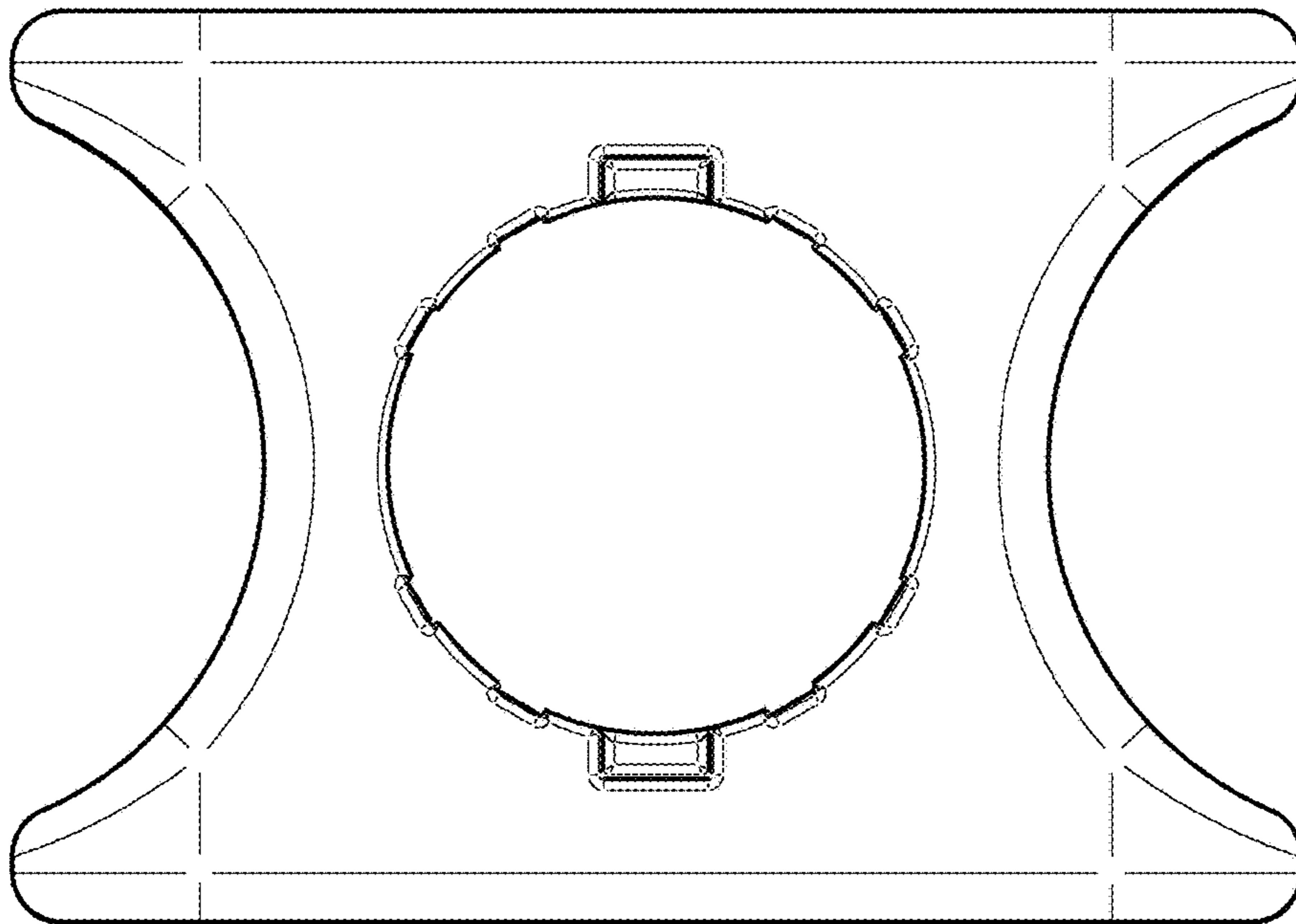
\* cited by examiner



**FIG. 1**



**FIG. 2**



**FIG. 3**

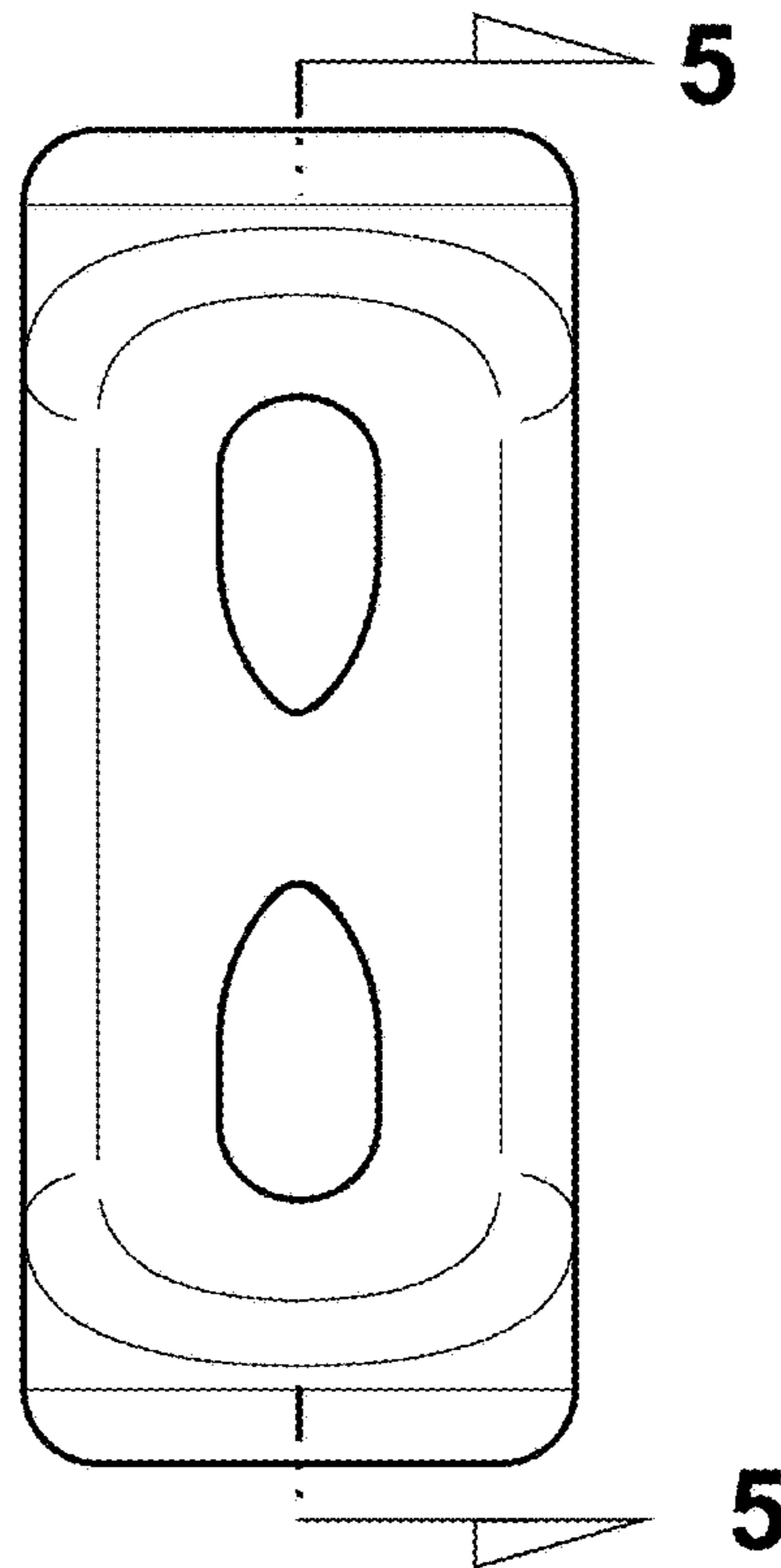


FIG. 4

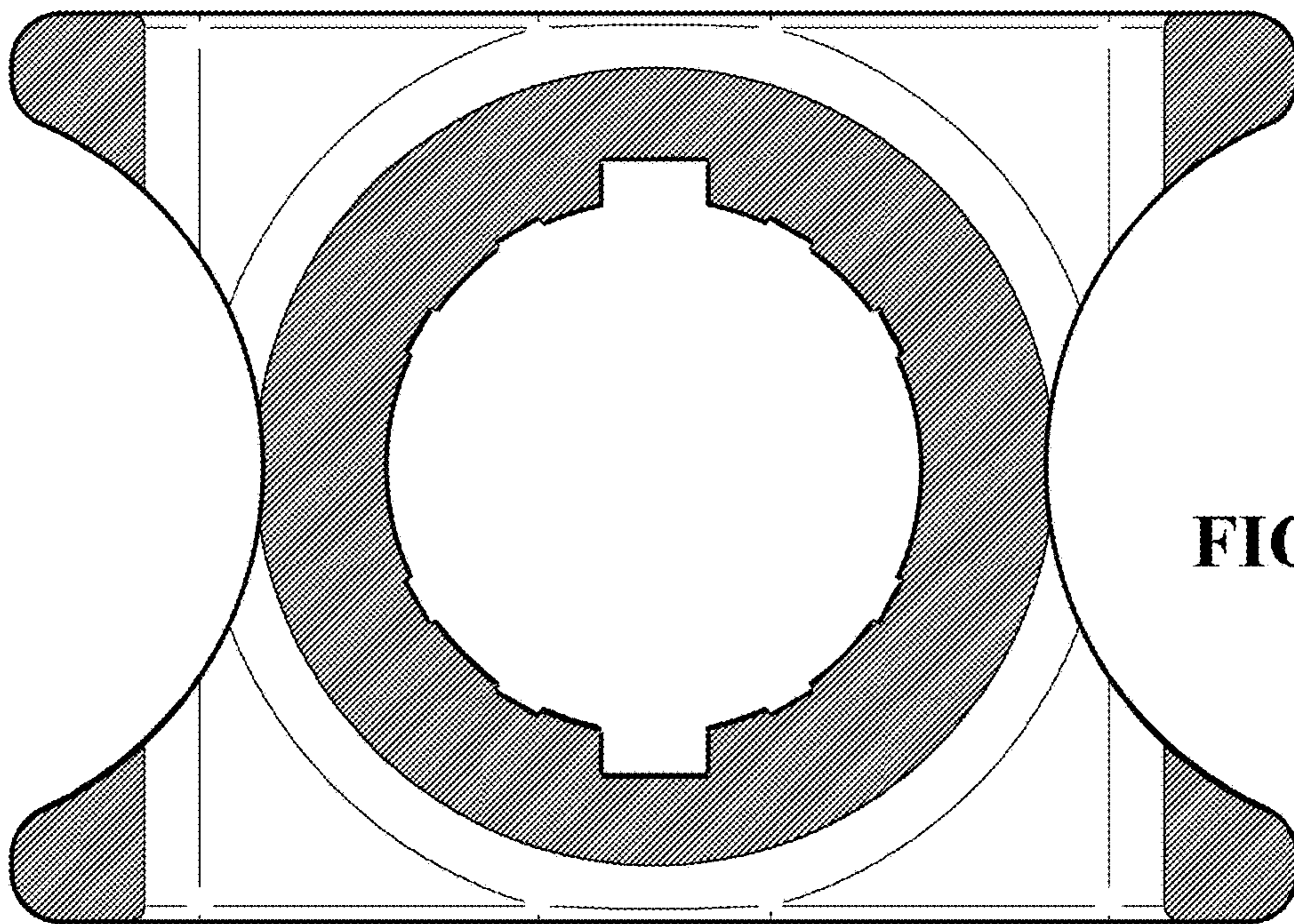
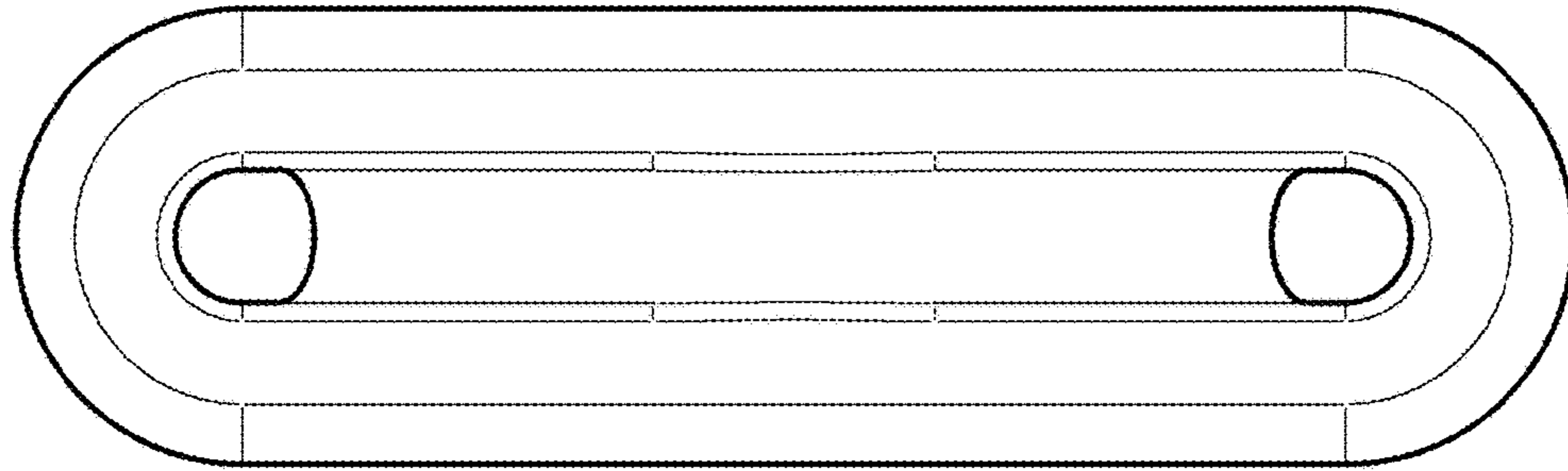
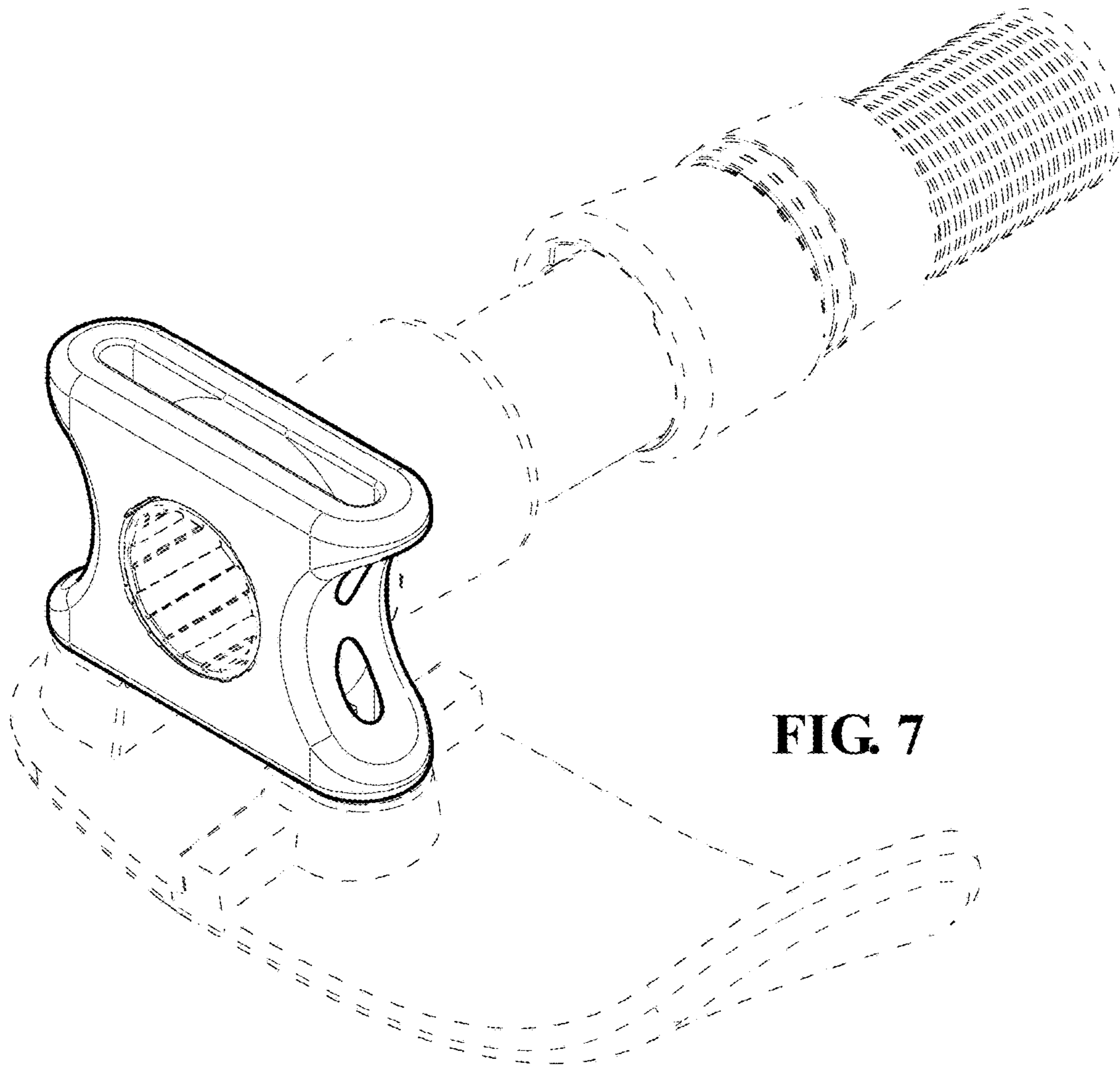


FIG. 5



**FIG. 6**



**FIG. 7**