



US00D867516S

(12) **United States Design Patent** (10) **Patent No.:** **US D867,516 S**  
**Ko** (45) **Date of Patent:** **\*\* Nov. 19, 2019**

(54) **COCKROACH TRAP** 4,395,842 A \* 8/1983 Margulies ..... A01M 1/02  
43/114  
(71) Applicant: **Chen-Tung Ko**, Taichung (TW) D275,124 S \* 8/1984 Carlsen ..... D22/122  
D313,641 S \* 1/1991 Caprioli ..... D22/119  
(72) Inventor: **Chen-Tung Ko**, Taichung (TW) 5,148,625 A \* 9/1992 Saleman ..... A01M 23/18  
43/107  
(\*\*) Term: **15 Years** D344,567 S \* 2/1994 Teeples ..... D22/122  
D358,443 S \* 5/1995 Demarest ..... D22/122  
D478,959 S \* 8/2003 Garretson ..... D22/122  
(21) Appl. No.: **29/658,685** 7,165,354 B1 \* 1/2007 Rickenbacker ..... A01M 1/2011  
43/121

(22) Filed: **Aug. 2, 2018**  
(51) **LOC (12) Cl.** ..... **22-06**  
(52) **U.S. Cl.**  
USPC ..... **D22/122**  
(58) **Field of Classification Search**  
USPC ..... D22/119-124; 43/107-108, 114-115,  
43/121-124, 131, 132.1, 133  
CPC ..... A01M 1/00; A01M 1/02; A01M 1/10;  
A01M 1/103; A01M 1/2005; A01M  
1/2011; A01M 2200/011; A01M 23/18  
See application file for complete search history.

\* cited by examiner

*Primary Examiner* — Catherine R Oliver-Garcia

(57) **CLAIM**

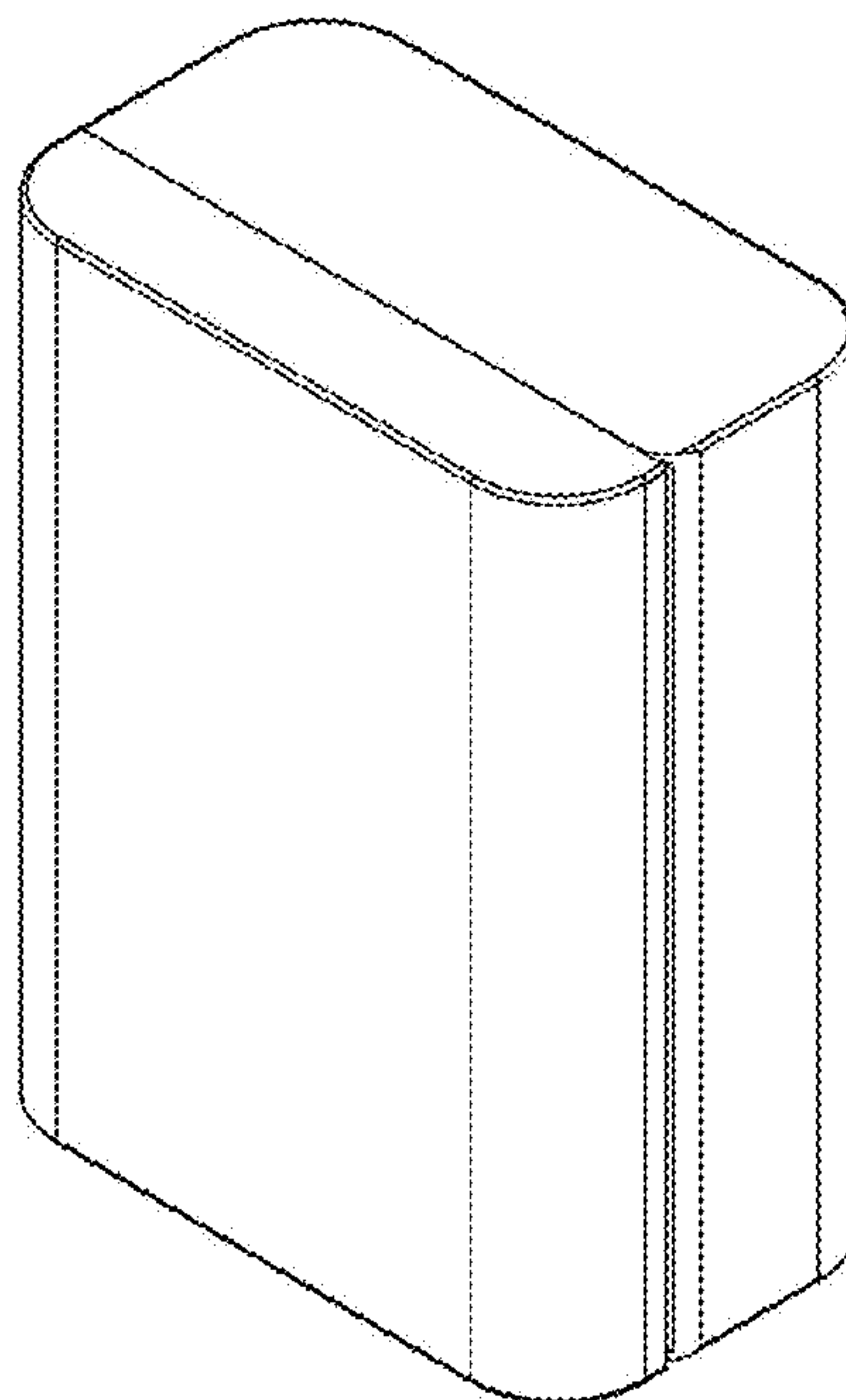
The ornamental design for a cockroach trap, as shown and described.

**DESCRIPTION**

(56) **References Cited**  
U.S. PATENT DOCUMENTS  
2,249,601 A \* 7/1941 Chapman ..... A01M 1/10  
43/121  
2,796,696 A \* 6/1957 Dawson ..... A01M 1/02  
43/121  
3,802,116 A \* 4/1974 Meguro ..... A01M 1/02  
43/121  
D243,765 S \* 3/1977 Nakai ..... D22/122  
4,030,233 A \* 6/1977 Wunsche ..... A01M 1/02  
43/121  
D269,290 S \* 6/1983 Carlsen ..... D22/122

FIG. 1 is a perspective view of a cockroach trap showing my new design;  
FIG. 2 is a front elevational view thereof;  
FIG. 3 is a rear elevational view thereof;  
FIG. 4 is a left side view thereof;  
FIG. 5 is a right side view thereof;  
FIG. 6 is a top plan view thereof; and,  
FIG. 7 is a bottom plan view thereof.  
The broken lines in the drawings illustrate portions of the cockroach trap that form no part of the claimed design.

**1 Claim, 5 Drawing Sheets**



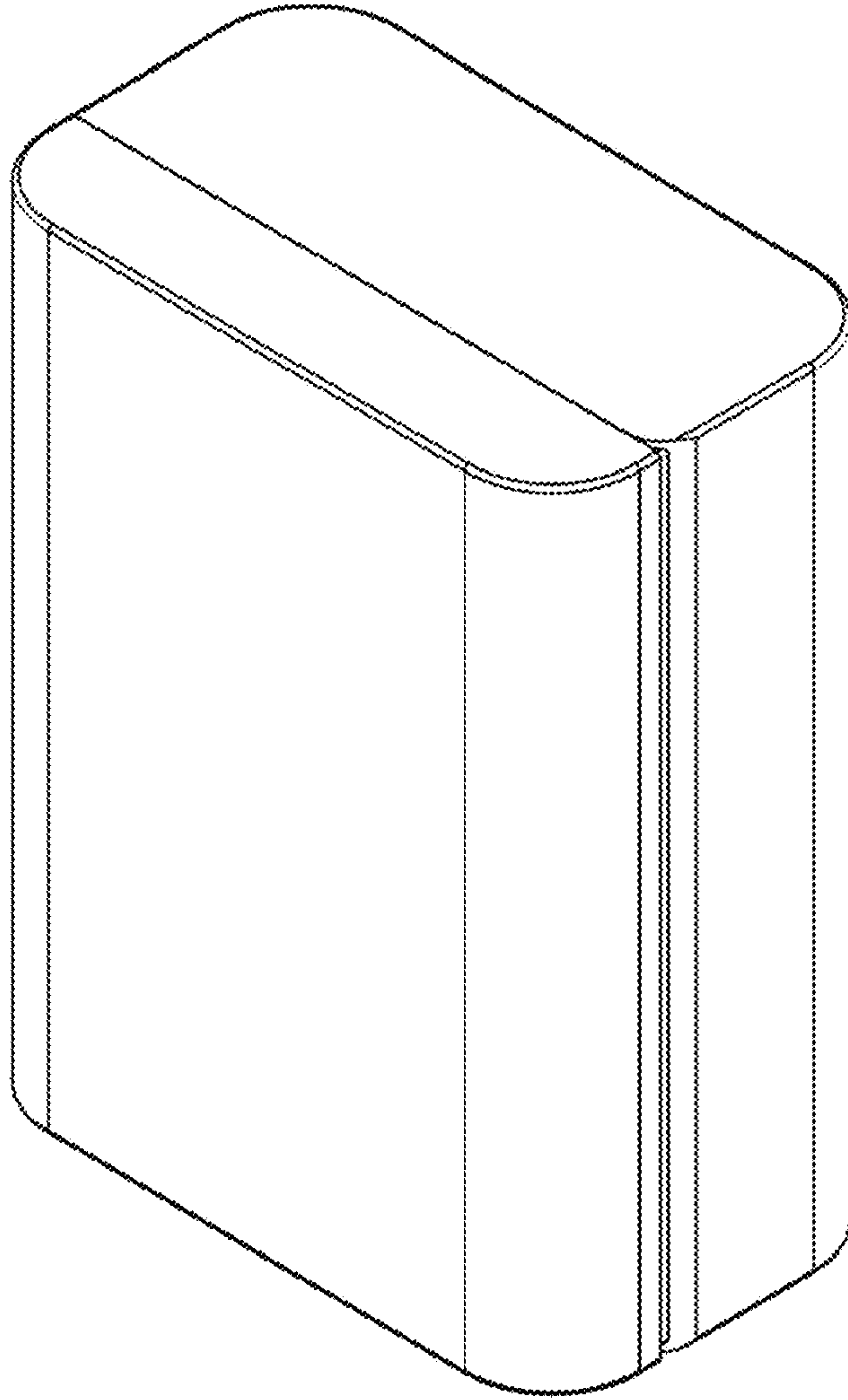


FIG.1

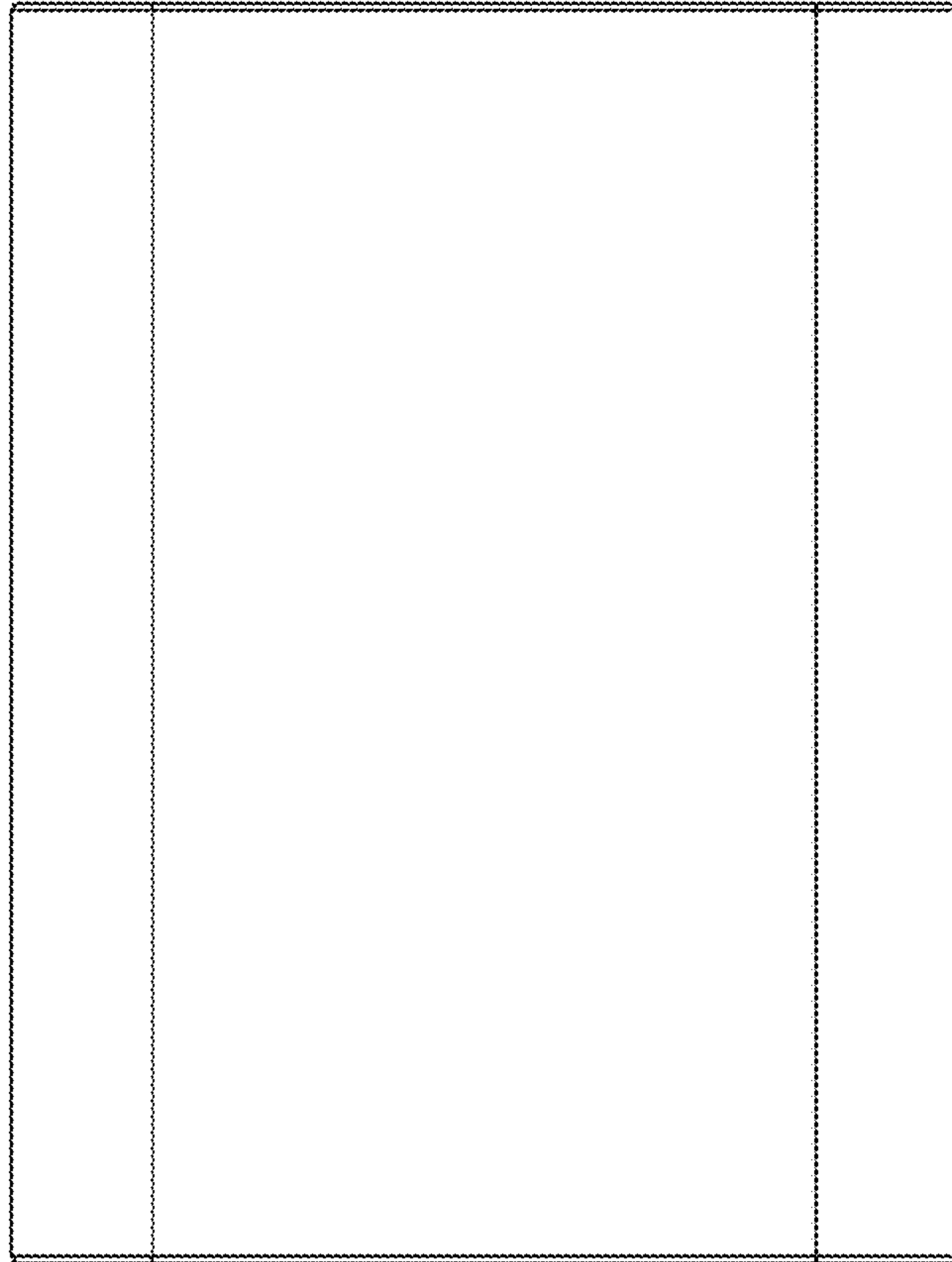


FIG.2

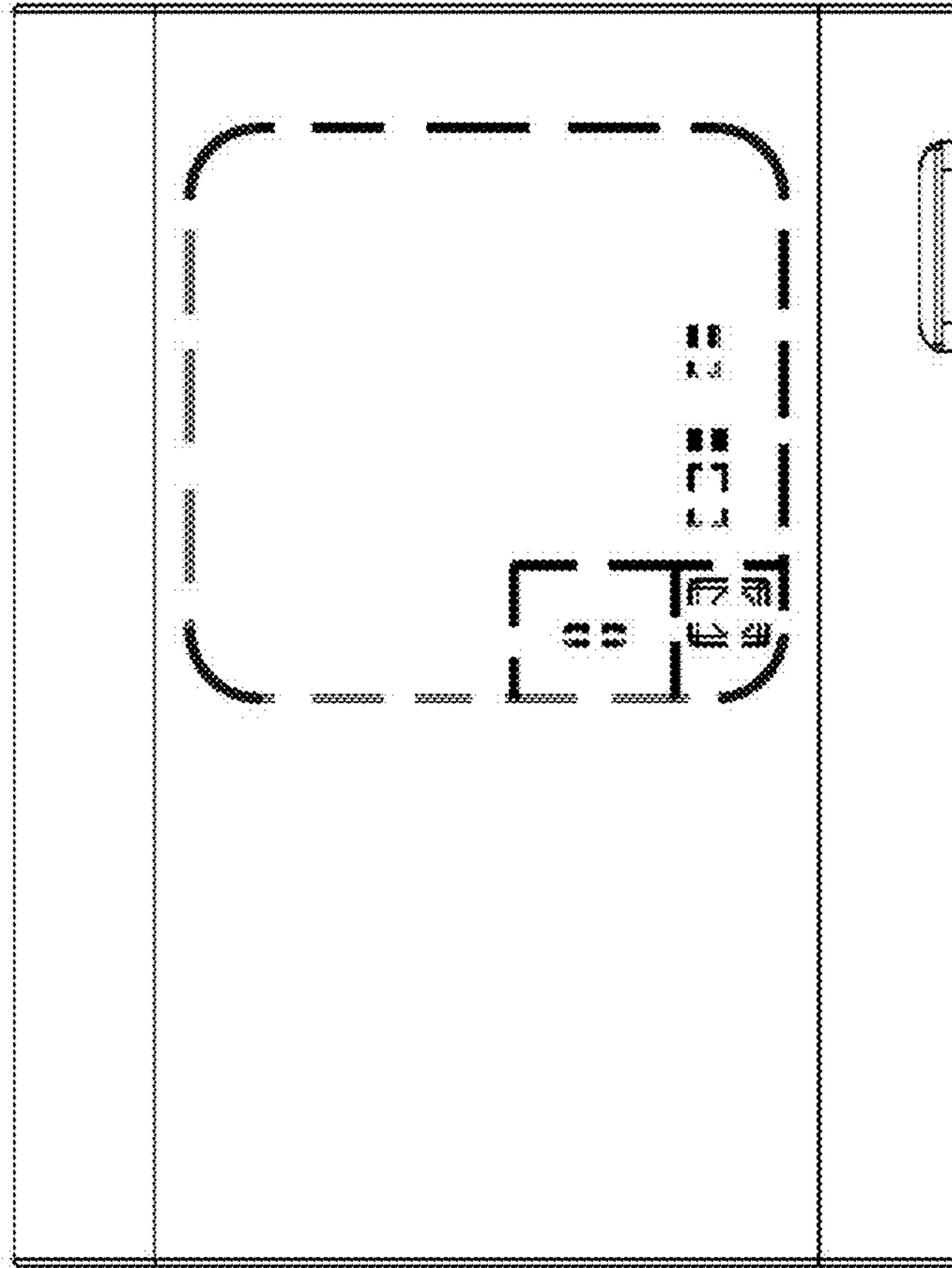


FIG. 3

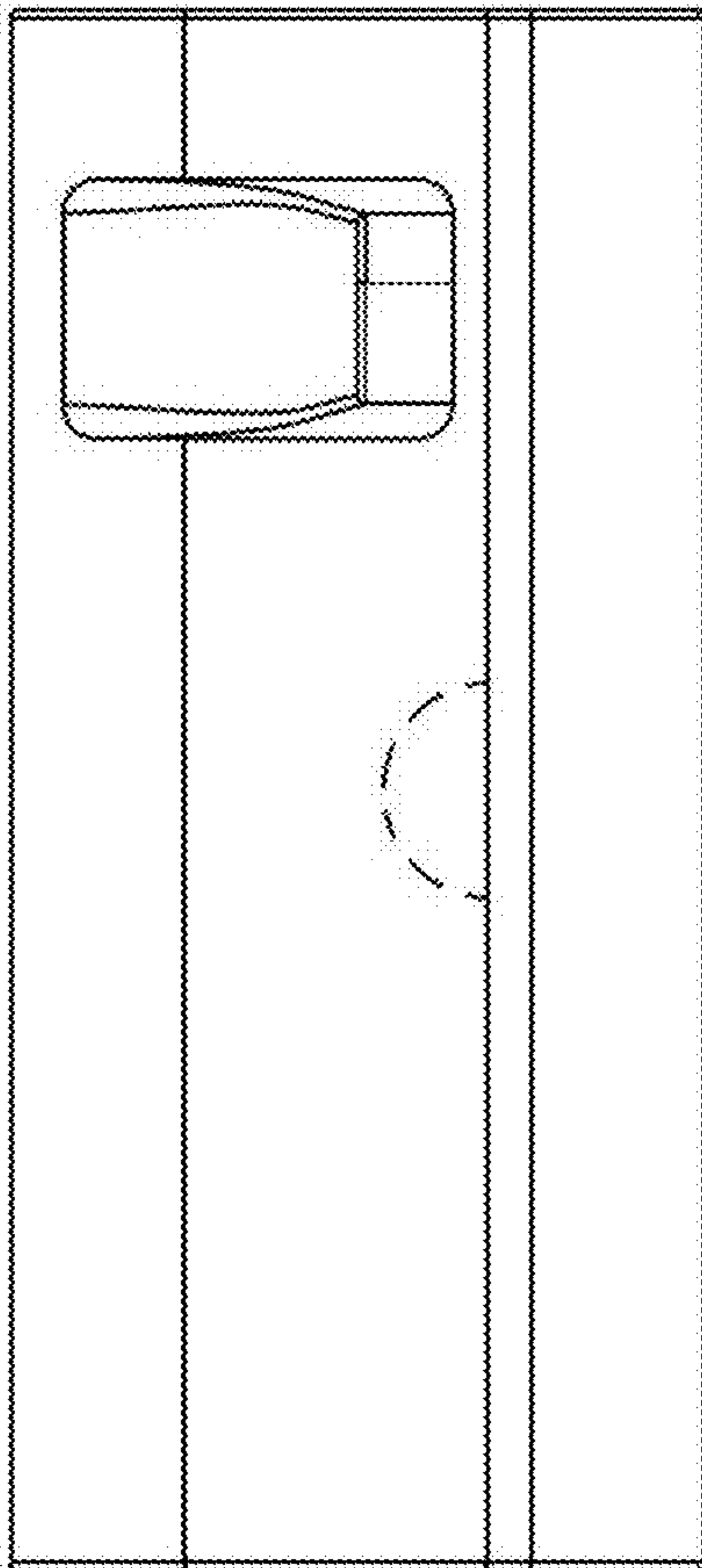


FIG. 4

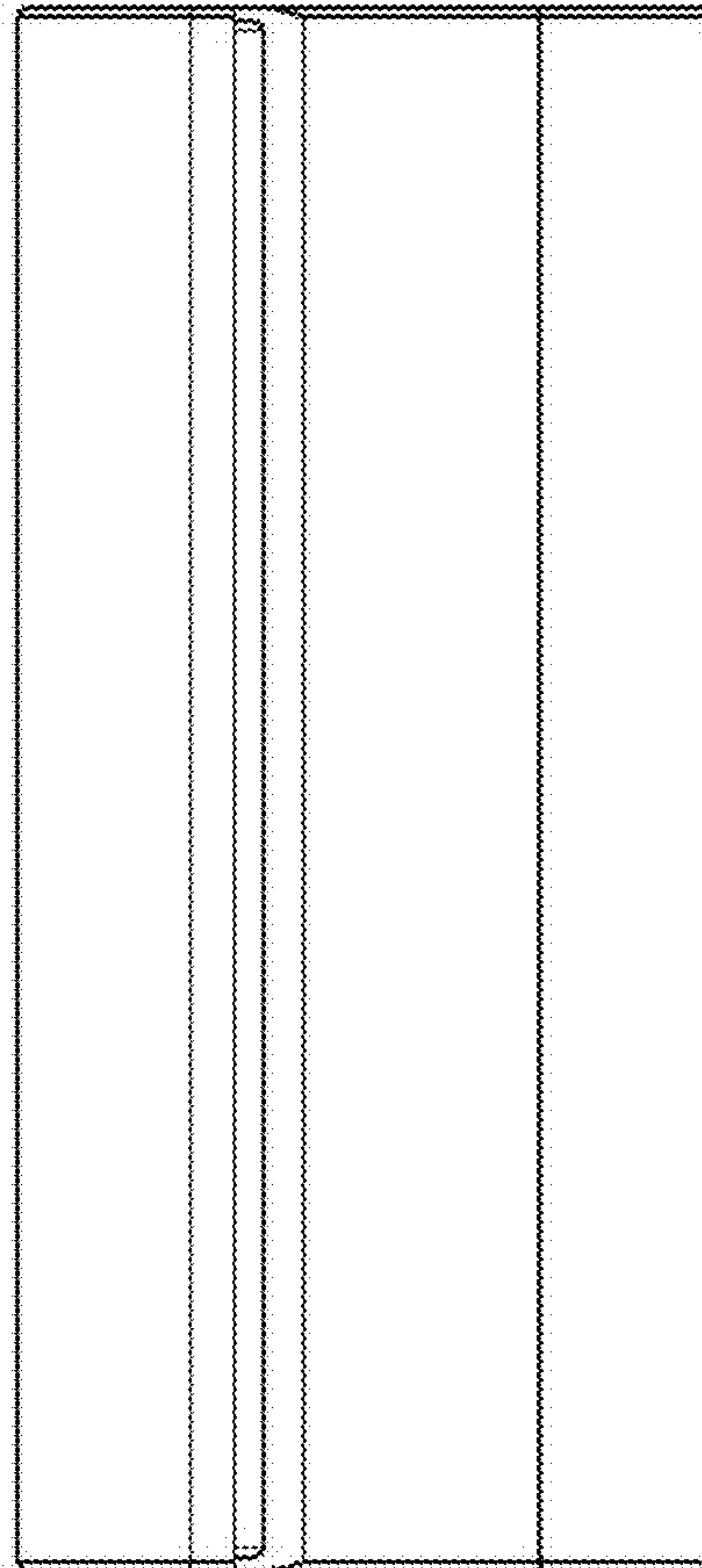


FIG. 5

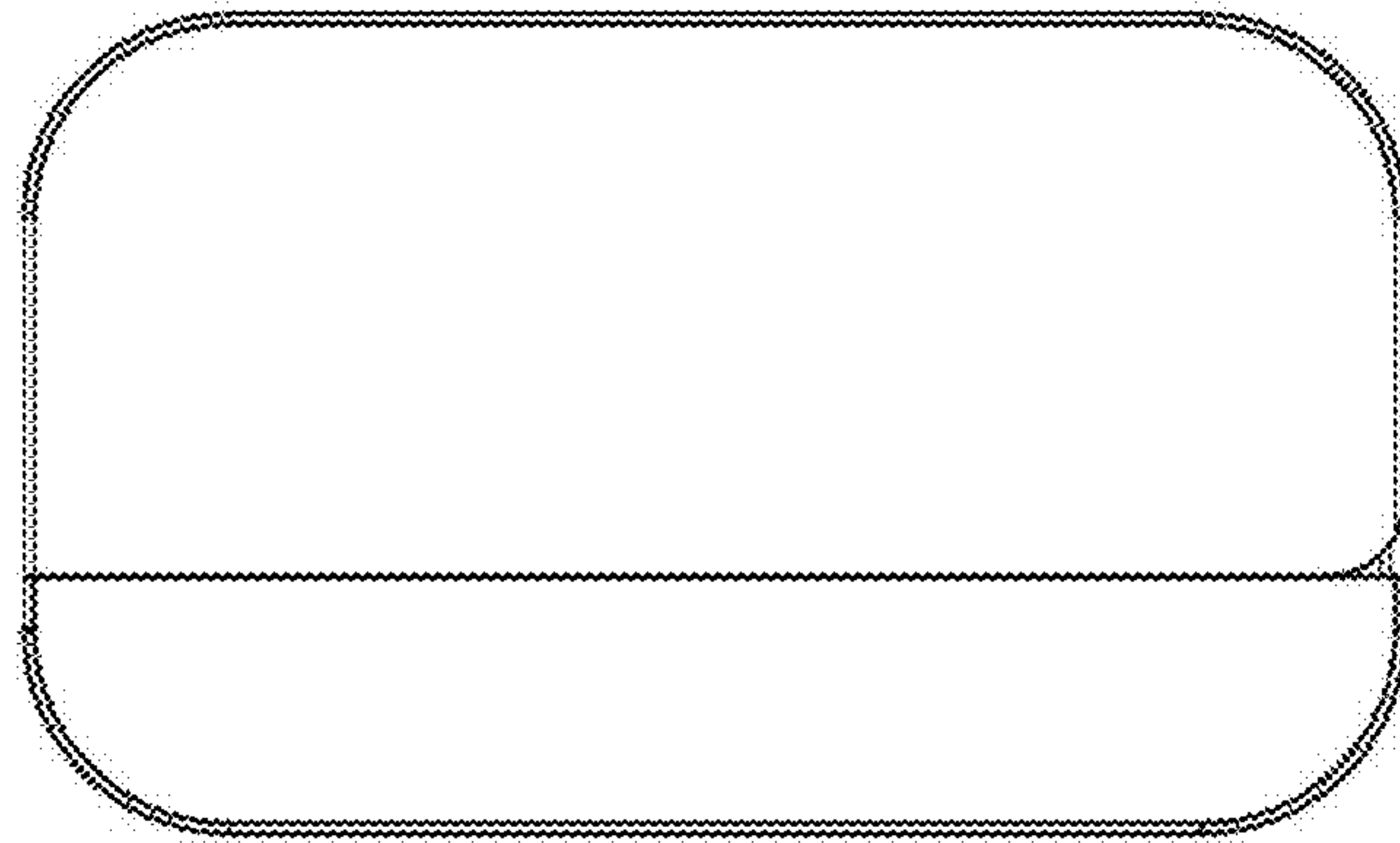


FIG. 6

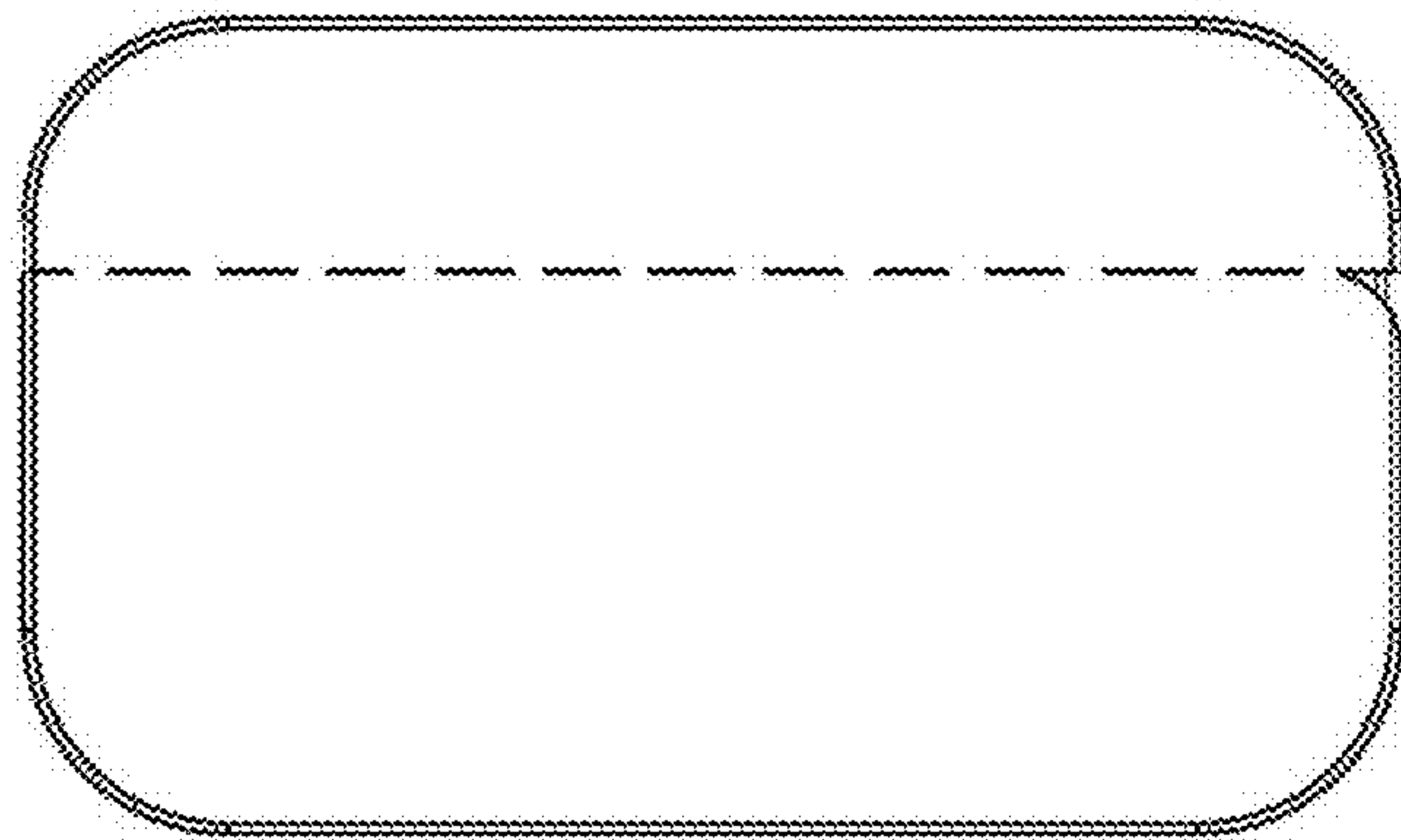


FIG. 7