



US00D867515S

(12) **United States Design Patent**
Cerovic et al.

(10) **Patent No.:** **US D867,515 S**

(45) **Date of Patent:** **** Nov. 19, 2019**

(54) **HANDLE OF A CONDUCTED ELECTRICAL WEAPON**

(71) Applicant: **Axon Enterprise, Inc.**, Scottsdale, AZ (US)

(72) Inventors: **Milan Cerovic**, Scottsdale, AZ (US);
Nathan Patulski, Seattle, WA (US);
William D. Webb, II, Sausalito, CA (US)

(73) Assignee: **Axon Enterprise, Inc.**, Scottsdale, AZ (US)

(**) Term: **15 Years**

(21) Appl. No.: **29/685,946**

(22) Filed: **Apr. 1, 2019**

Related U.S. Application Data

(63) Continuation of application No. 29/617,326, filed on Sep. 13, 2017, now Pat. No. Des. 850,570.

(51) **LOC (12) Cl.** **22-02**

(52) **U.S. Cl.**
USPC **D22/117**

(58) **Field of Classification Search**
USPC D22/119-120; 222/182, 325, 402.1, 222/402.11, 1.08, 1.09, 89.1; 361/232
CPC .. A47G 19/24; F41H 5/24; F41H 9/00; F41H 9/10; F41H 13/0012; F41H 13/0025; F41H 15/04; G08B 21/02; F41B 9/0087; H05C 1/00

See application file for complete search history.

(56) **References Cited**

U.S. PATENT DOCUMENTS

2,774,513	A	12/1956	Miller
3,841,526	A	10/1974	Haskins
4,843,336	A	6/1989	Kuo
5,103,366	A	4/1992	Battochi
7,644,839	B2	1/2010	McNulty, Jr.
8,985,397	B2	3/2015	Lord
8,988,229	B2	3/2015	Lord
9,025,304	B2	5/2015	Brundula et al.
D805,157	S	12/2017	Pennington
10,024,636	B2	7/2018	Nerheim

Primary Examiner — Catherine R Oliver-Garcia

(74) *Attorney, Agent, or Firm* — Banner & Witcoff, Ltd.

(57) **CLAIM**

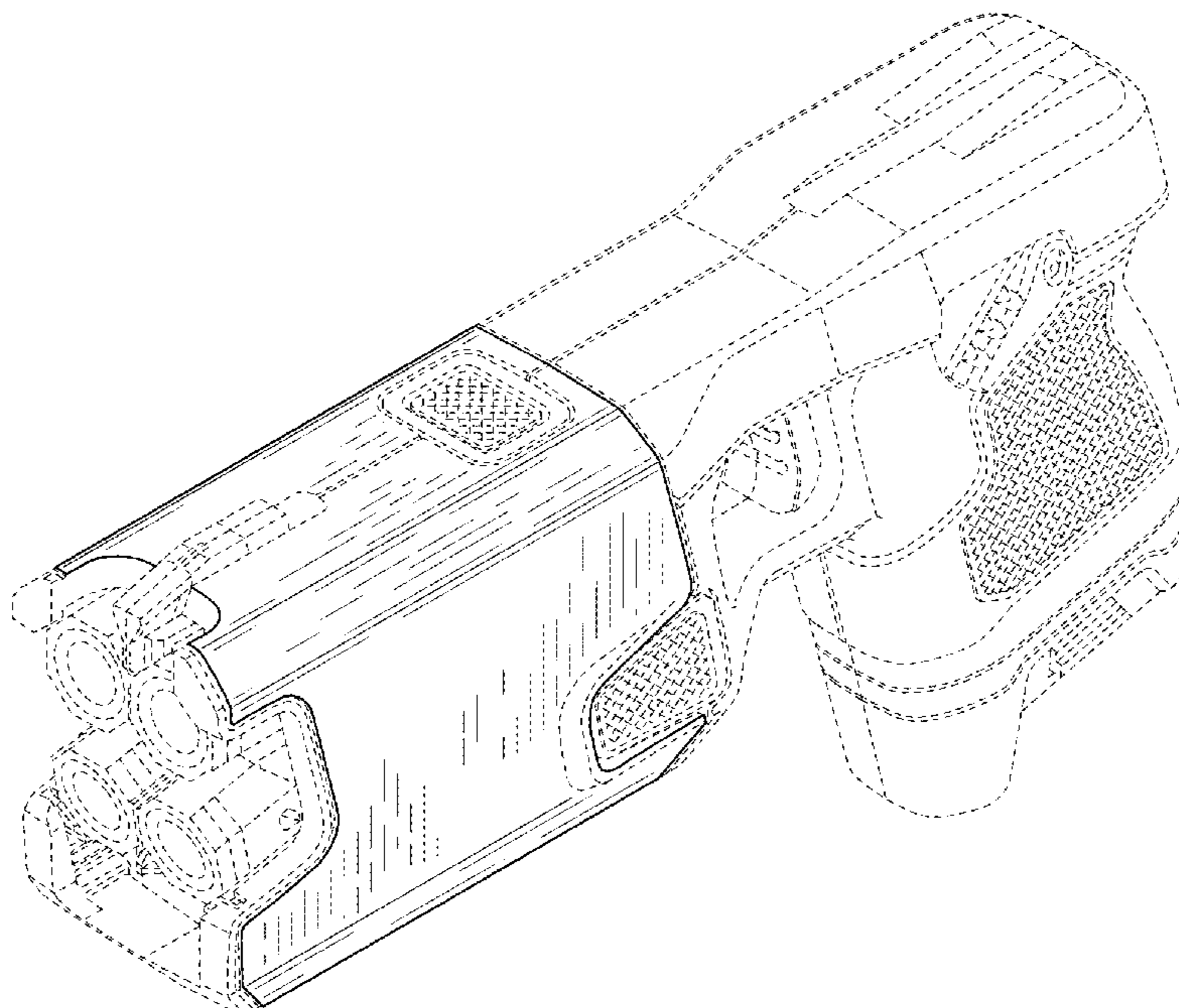
The ornamental design for a handle of a conducted electrical weapon, as shown and described.

DESCRIPTION

FIG. 1 is a top, front, left perspective view of a handle of a conducted electrical weapon showing our new design; FIG. 2 is a bottom, rear, left perspective view thereof; FIG. 3 is a front view thereof; FIG. 4 is a rear view thereof; FIG. 5 is a right side view thereof; FIG. 6 is a left side view thereof; FIG. 7 is a top view thereof; and, FIG. 8 is a bottom view thereof.

The broken lines immediately adjacent to the shaded area define the bounds of the claimed design and form no part thereof. The broken lines depicting the remainder of a handle of a conducted electrical weapon show features that form no part of the claimed design.

1 Claim, 8 Drawing Sheets



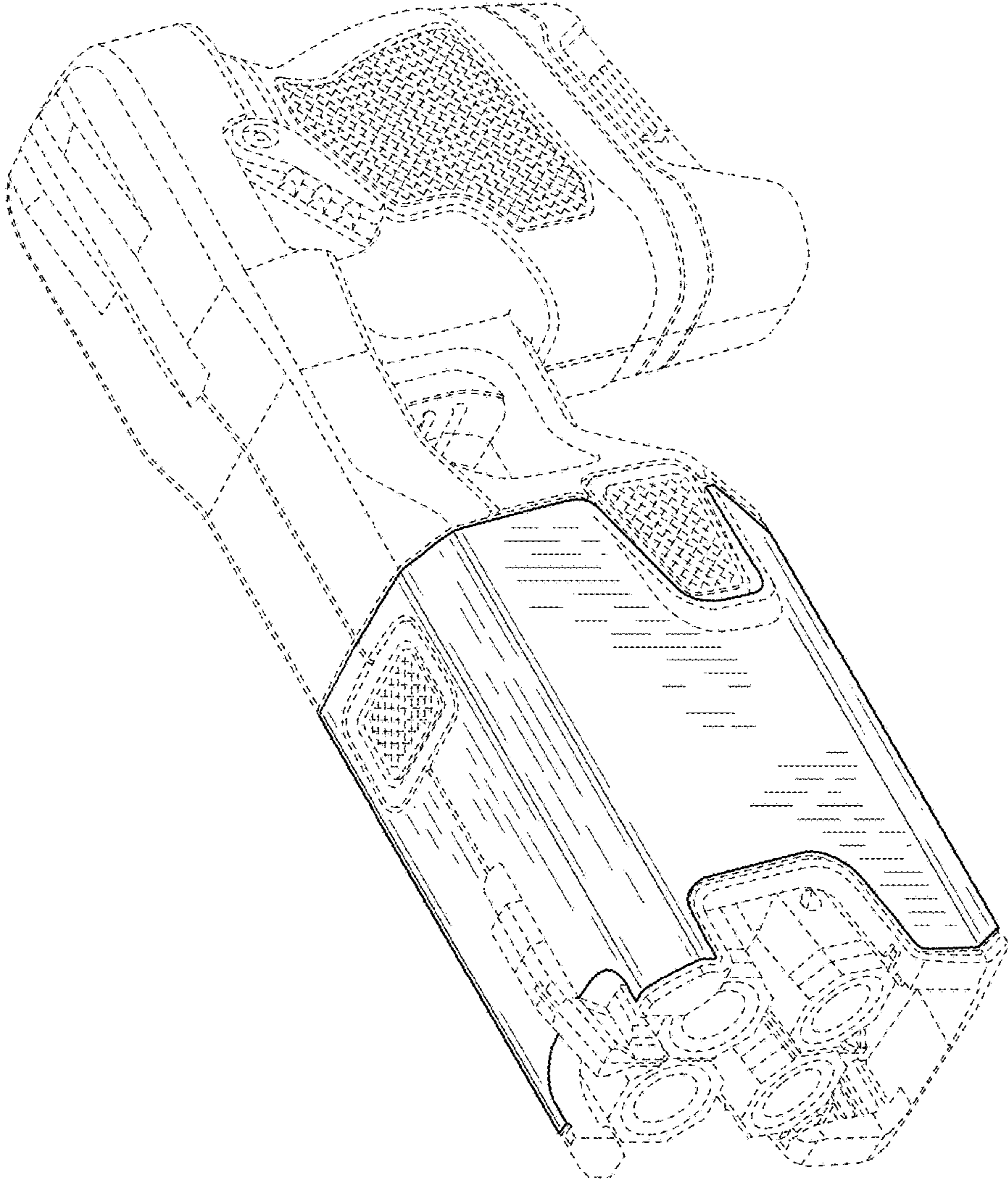


FIG. 1

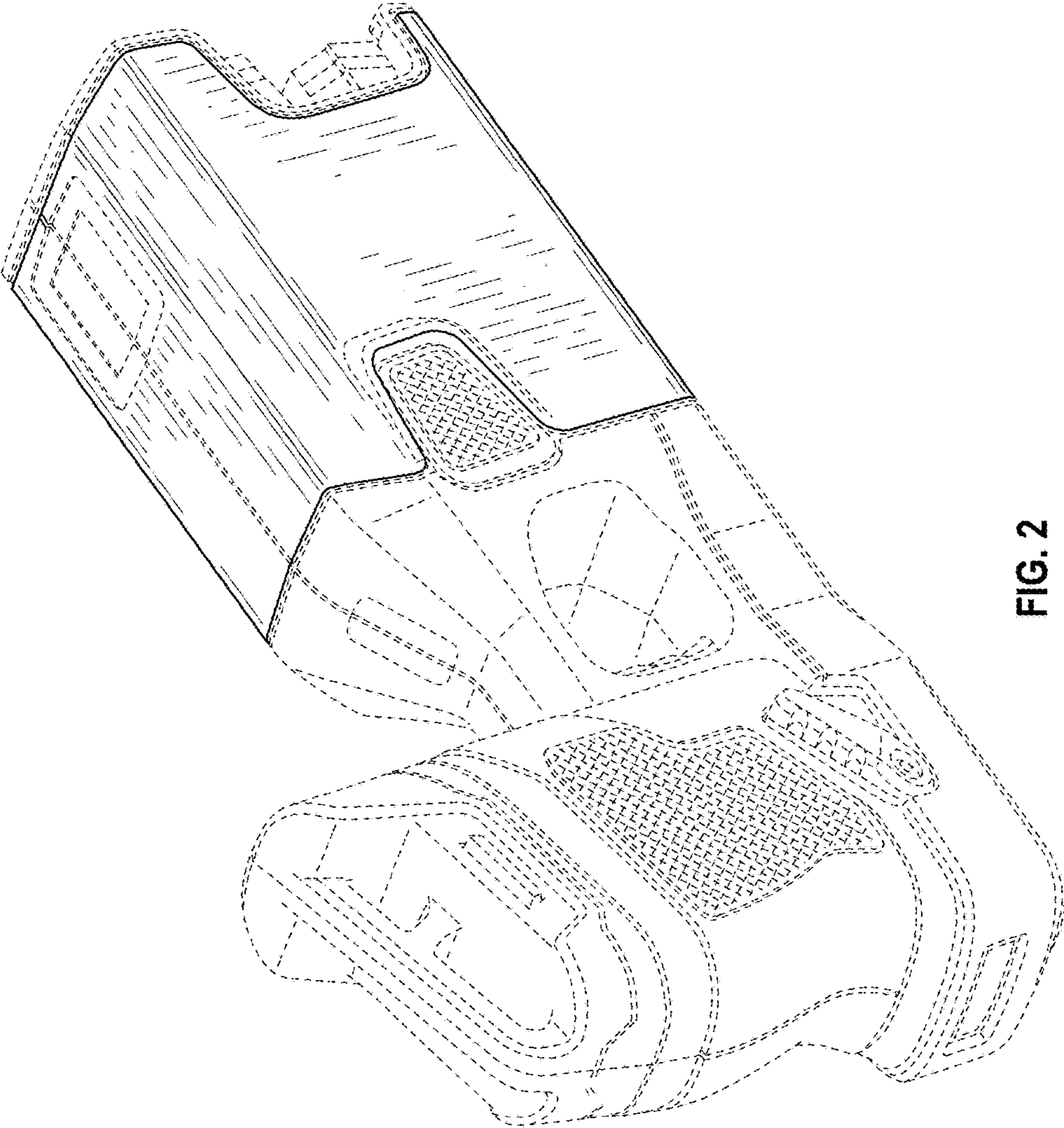


FIG. 2

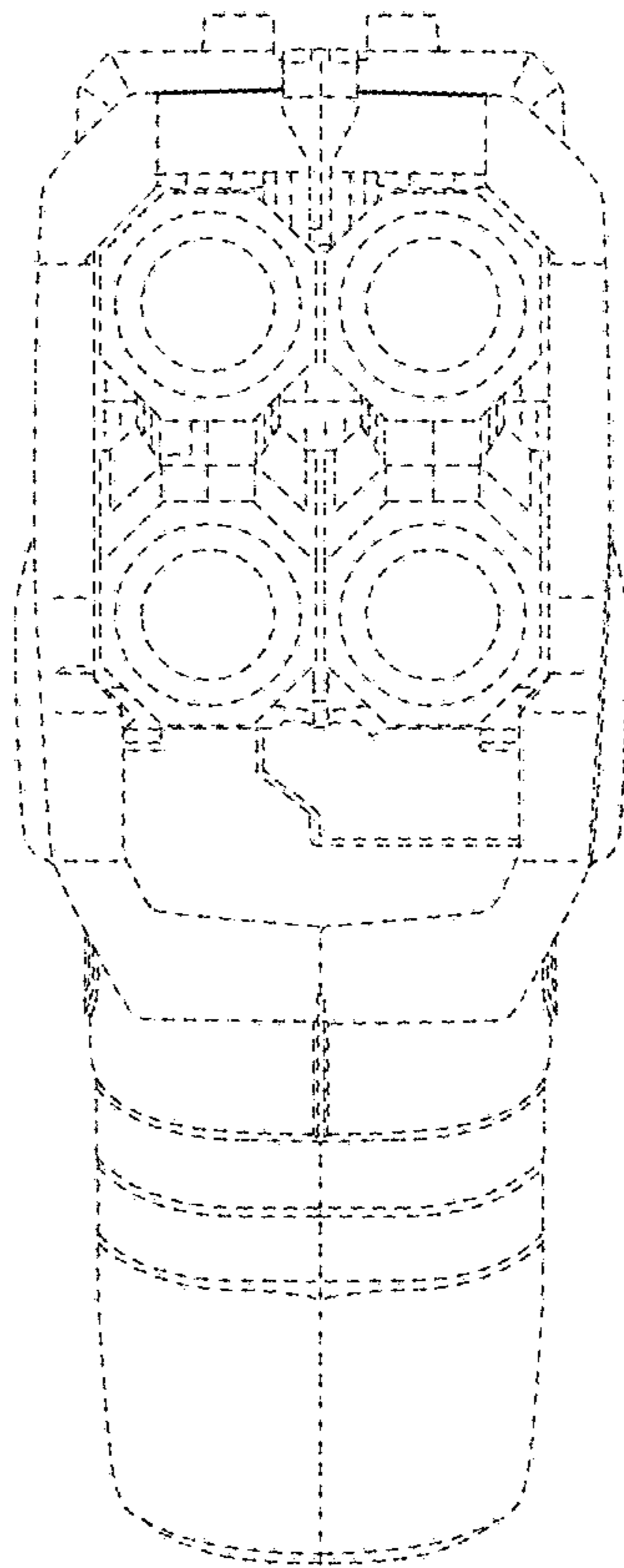


FIG. 3

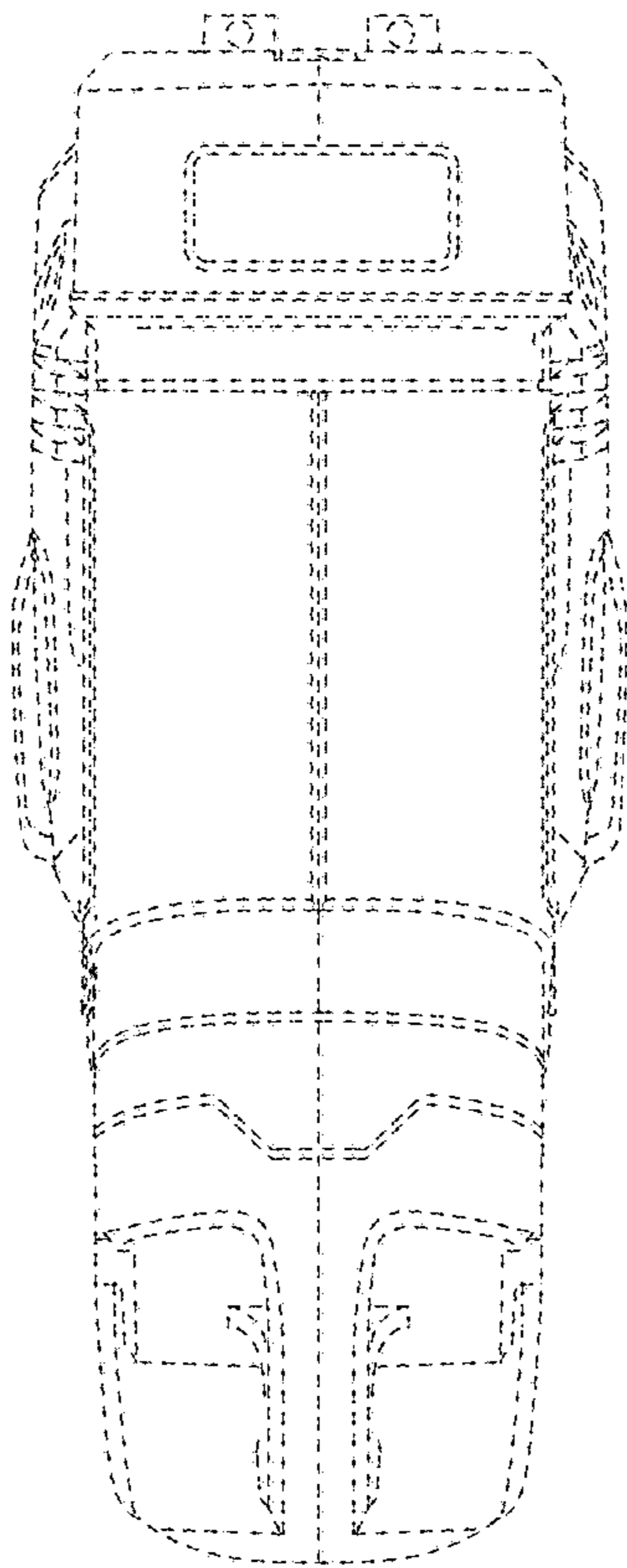


FIG. 4

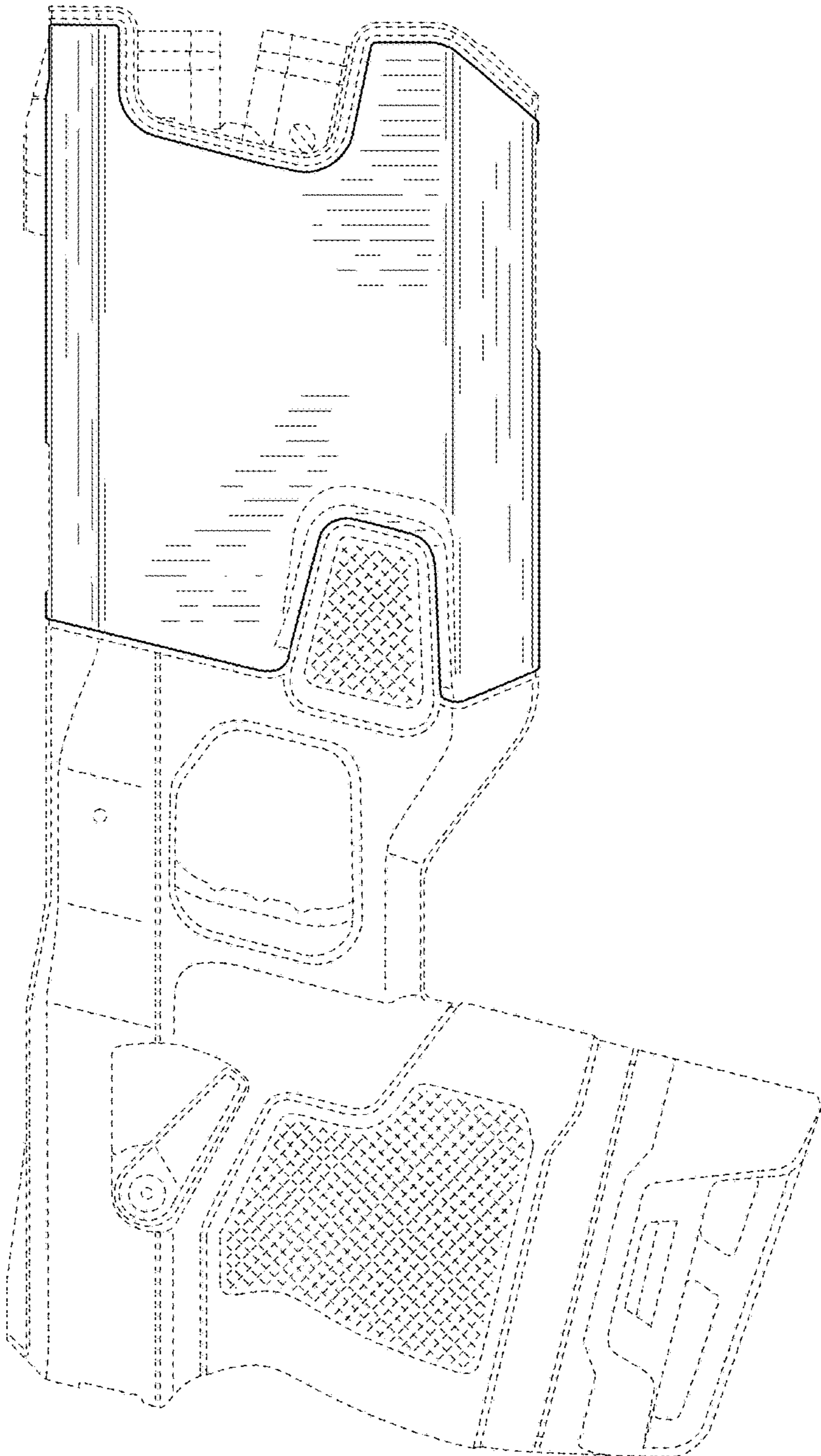


FIG. 5

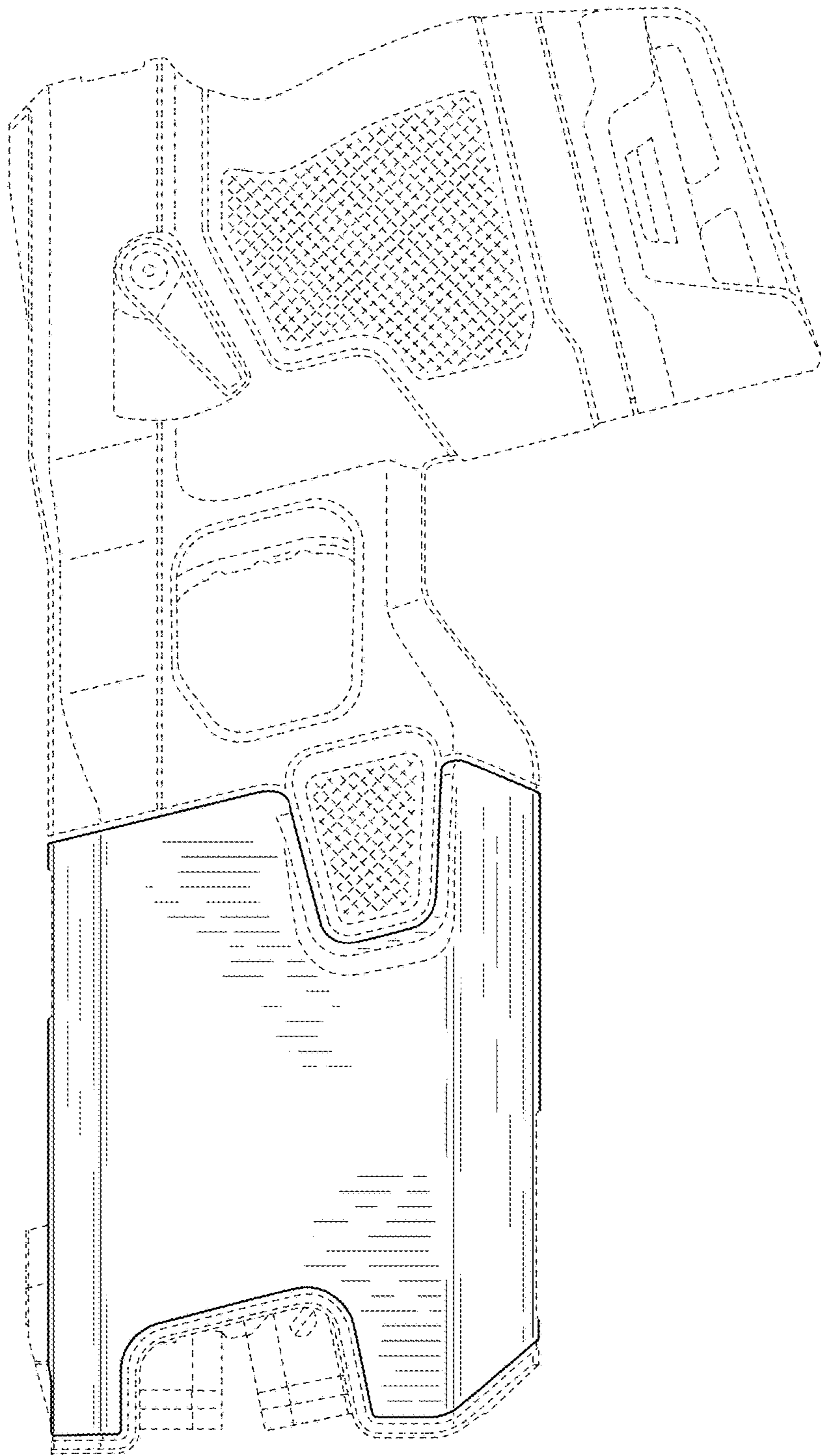


FIG. 6

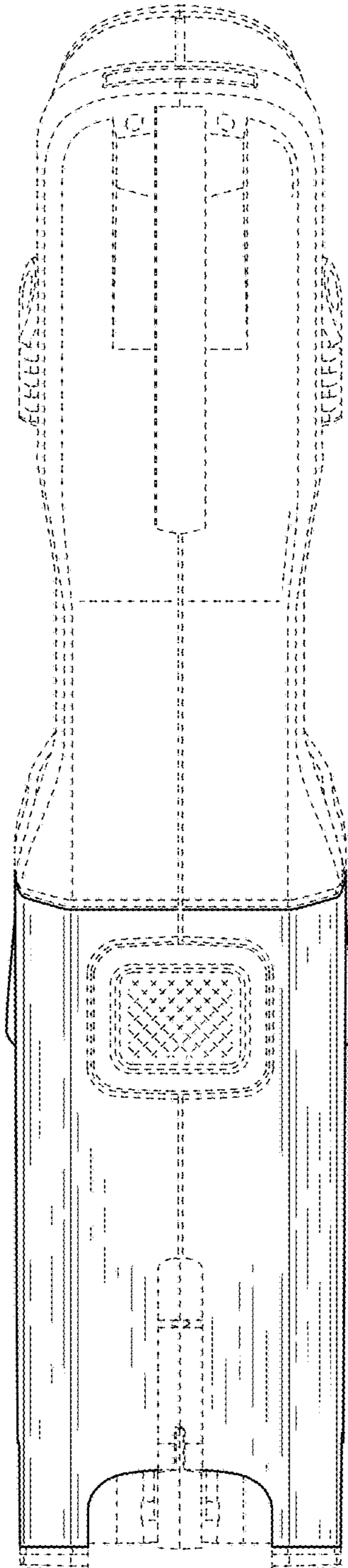


FIG. 7

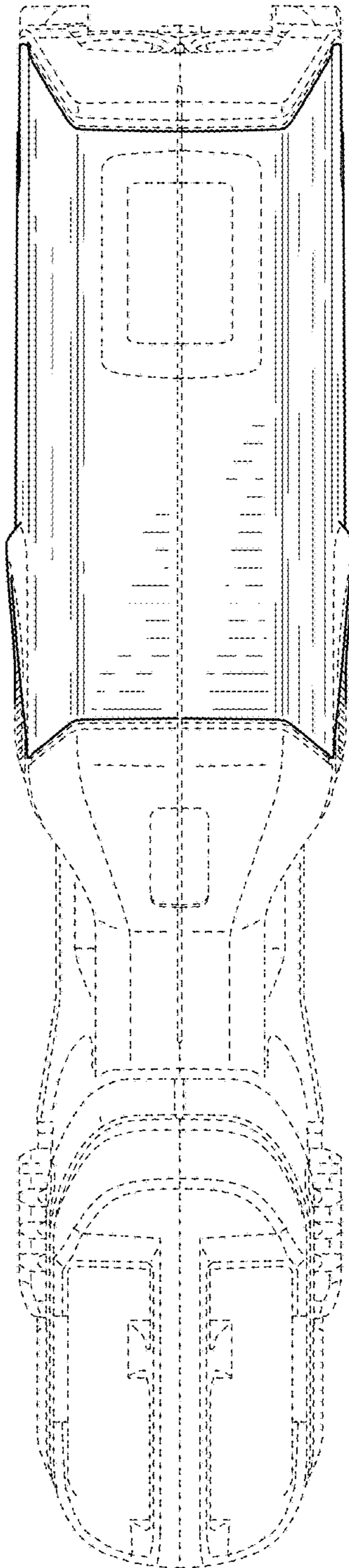


FIG. 8