

US00D867514S

(12) **United States Design Patent**
Gilbarte

(10) **Patent No.:** **US D867,514 S**

(45) **Date of Patent:** **** Nov. 19, 2019**

(54) **STUN GUN**

D609,346 S * 2/2010 Yu D22/117
8,520,359 B1 * 8/2013 Nawaz F41B 15/08
361/232
D738,569 S * 9/2015 Saide D22/117

(71) Applicant: **Cutting Edge Products, Inc.**,
Winterville, NC (US)

(72) Inventor: **Ray Gilbarte**, Winterville, NC (US)

(73) Assignee: **Cutting Edge Products, Inc.**,
Winterville, NC (US)

(**) Term: **15 Years**

(21) Appl. No.: **29/665,651**

(22) Filed: **Oct. 5, 2018**

(51) **LOC (12) Cl.** **22-02**

(52) **U.S. Cl.**
USPC **D22/117**

(58) **Field of Classification Search**
USPC D22/117; D26/38; 42/1.08, 1.09;
361/232; 200/519; 340/321, 574, 693.8;
222/39, 113, 192, 153.03, 153.11, 162,
222/175, 402.21; 89/1.11
CPC A62B 3/005; A62B 33/00; F41H 9/10;
F41H 13/0018; F41B 15/04; F21L 4/00;
F21L 4/02; H05B 3/03; H05B 3/44;
H05C 1/00; G08B 15/004; G08B
21/0297; G08B 21/0446
See application file for complete search history.

(56) **References Cited**

U.S. PATENT DOCUMENTS

D365,622 S * 12/1995 Edwards D22/117
D576,246 S * 9/2008 Pennington D22/117

OTHER PUBLICATIONS

CuttingEdgeProducts.com, Streetwise ME 23,000,000 Stun Gun
Pink (Year: 2019).*

* cited by examiner

Primary Examiner — Catherine R Oliver-Garcia
(74) *Attorney, Agent, or Firm* — Mitchell Law PLLC;
Matthew W. Mitchell

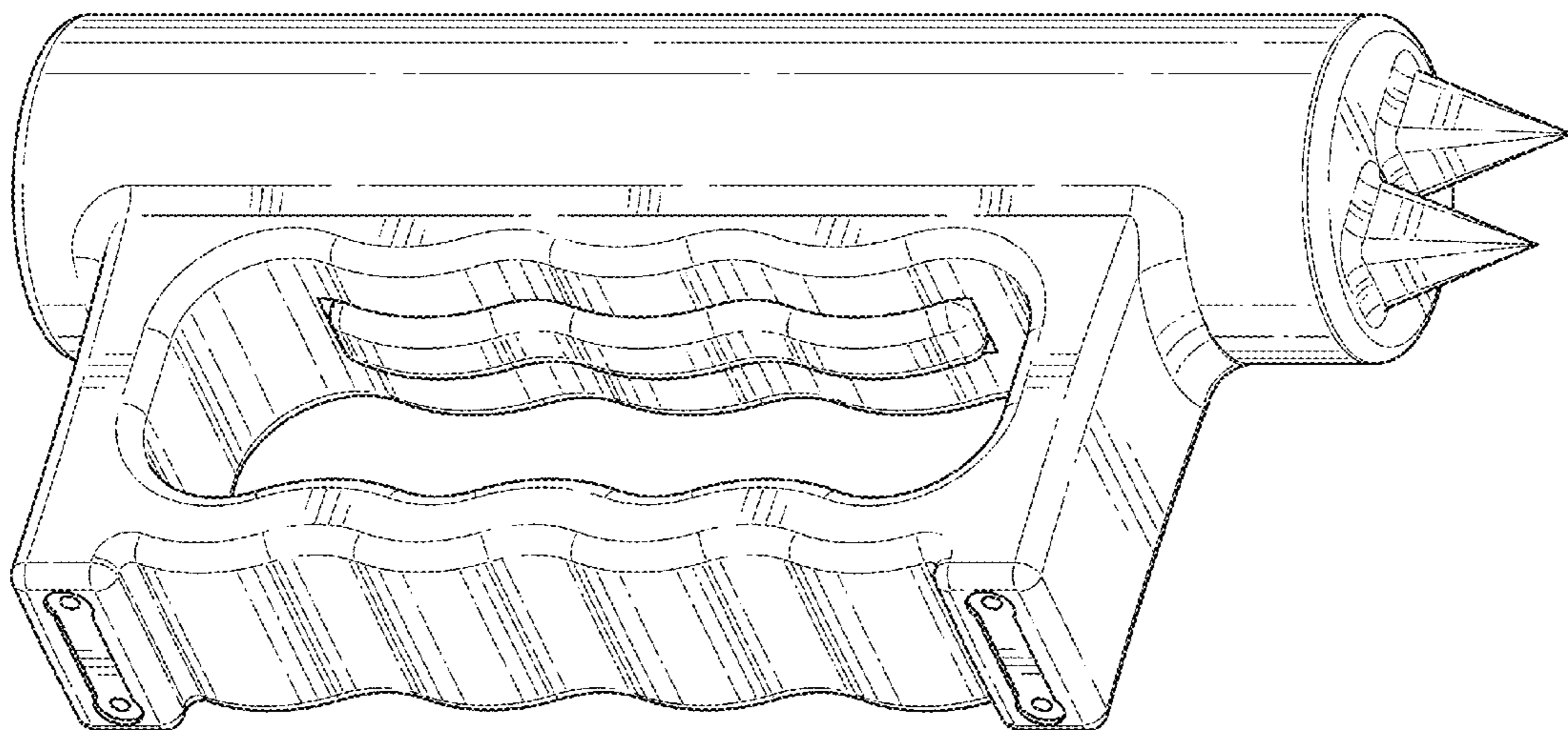
(57) **CLAIM**

The ornamental design for a stun gun, as shown and
described.

DESCRIPTION

FIG. 1 is a front perspective view of the stun gun of the
present invention;
FIG. 2 is a left-side isometric view thereof, the right-side
view being a mirror image thereof;
FIG. 3 is a top plan view thereof;
FIG. 4 is a bottom plan view thereof;
FIG. 5 is a rear view thereof; and,
FIG. 6 is a front view thereof.

1 Claim, 6 Drawing Sheets



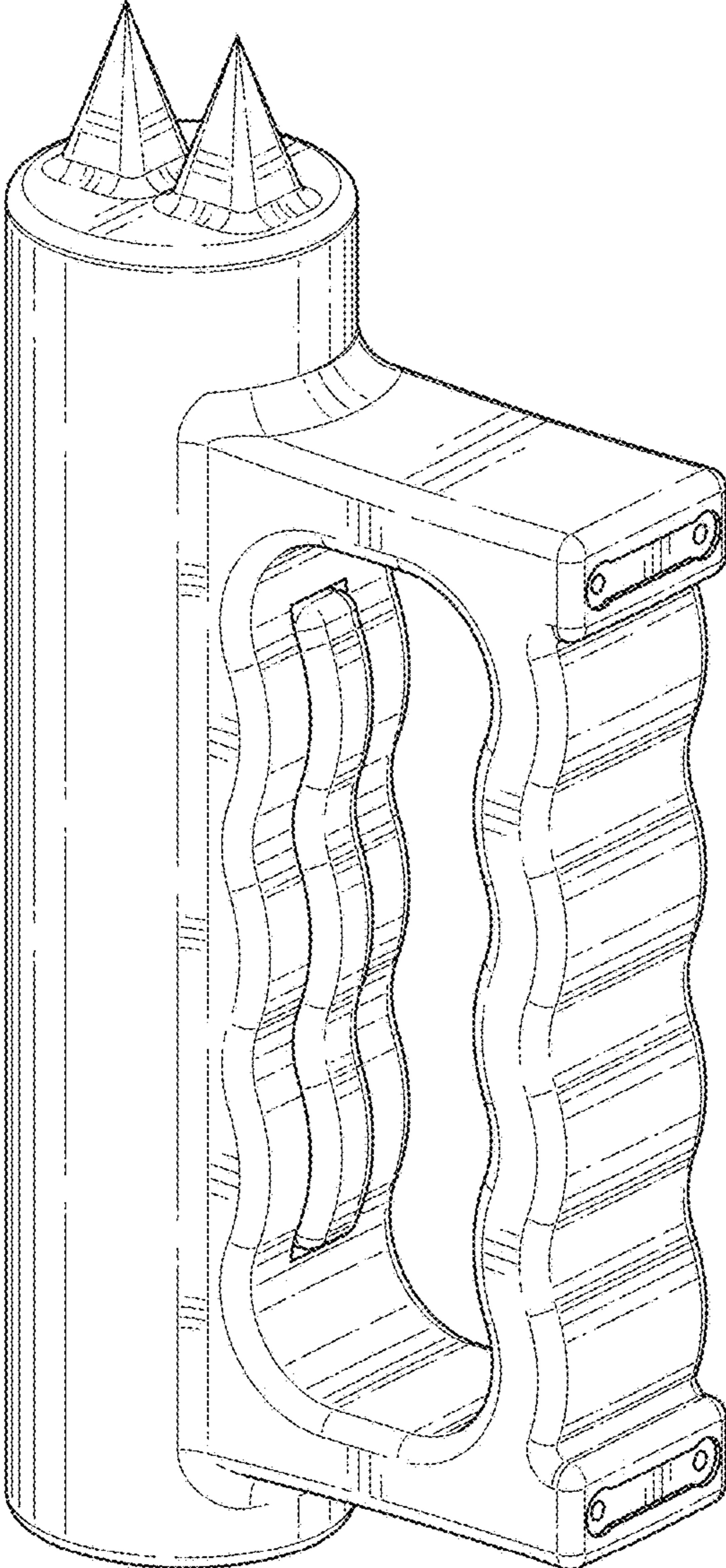


FIG. 1

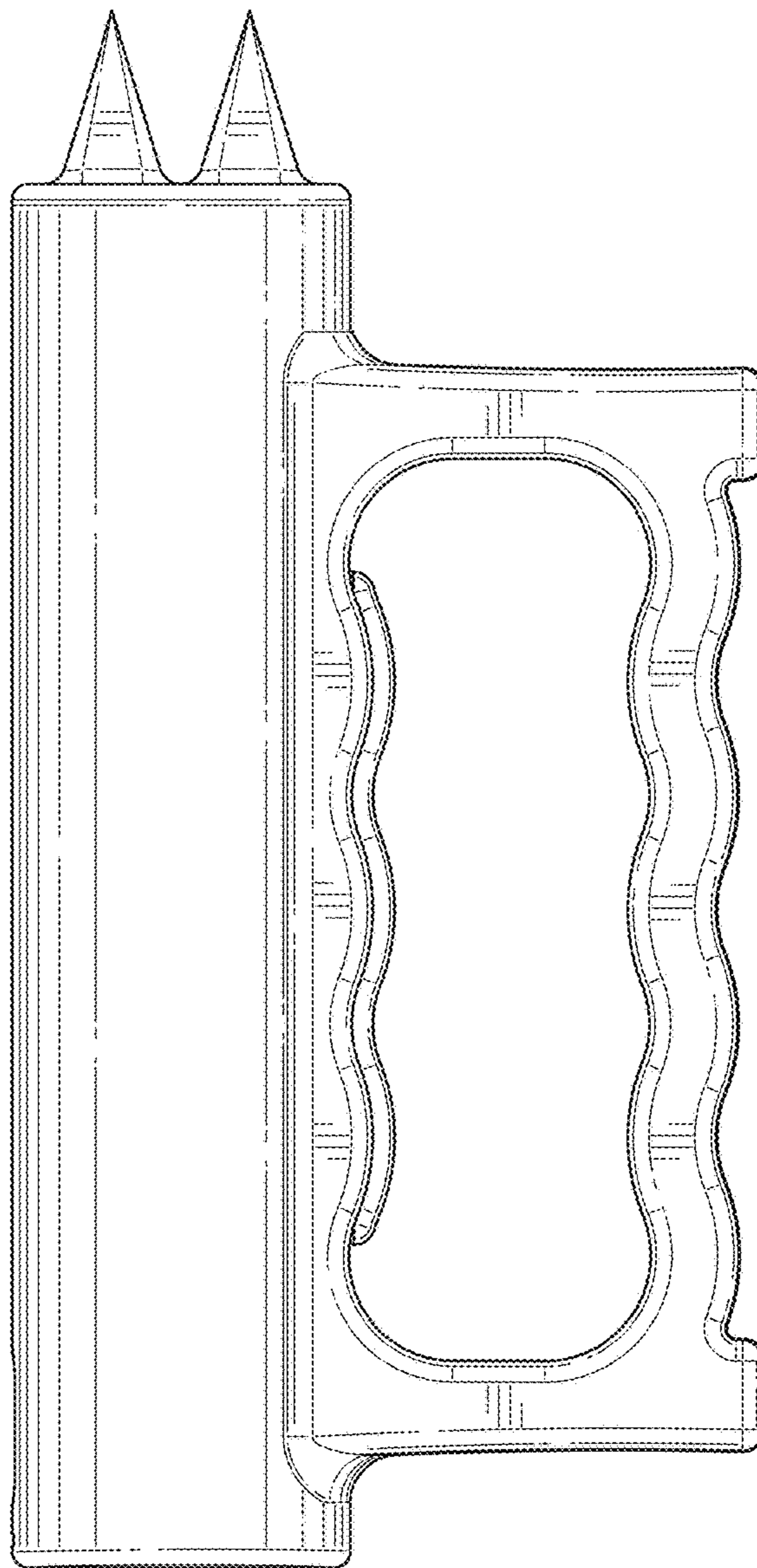


FIG. 2

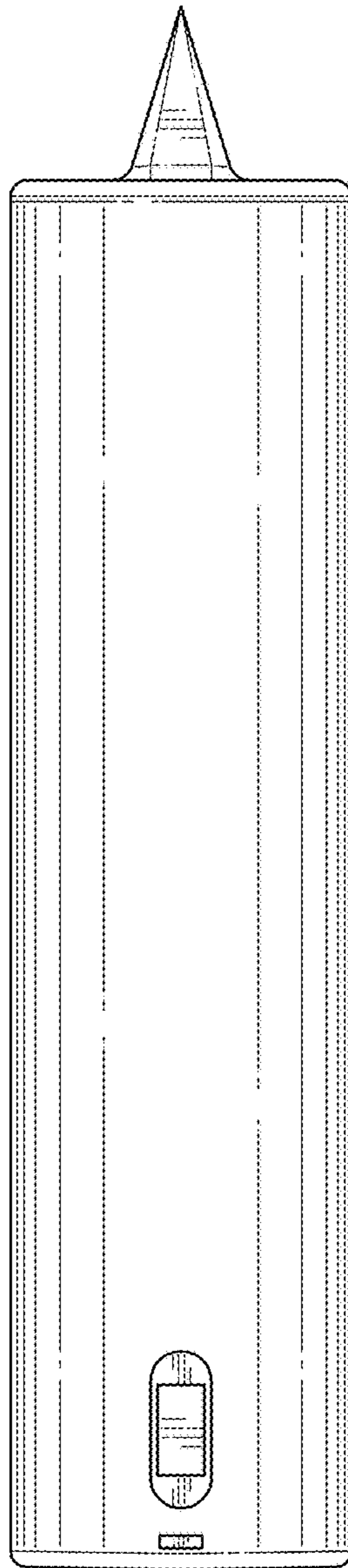


FIG. 3

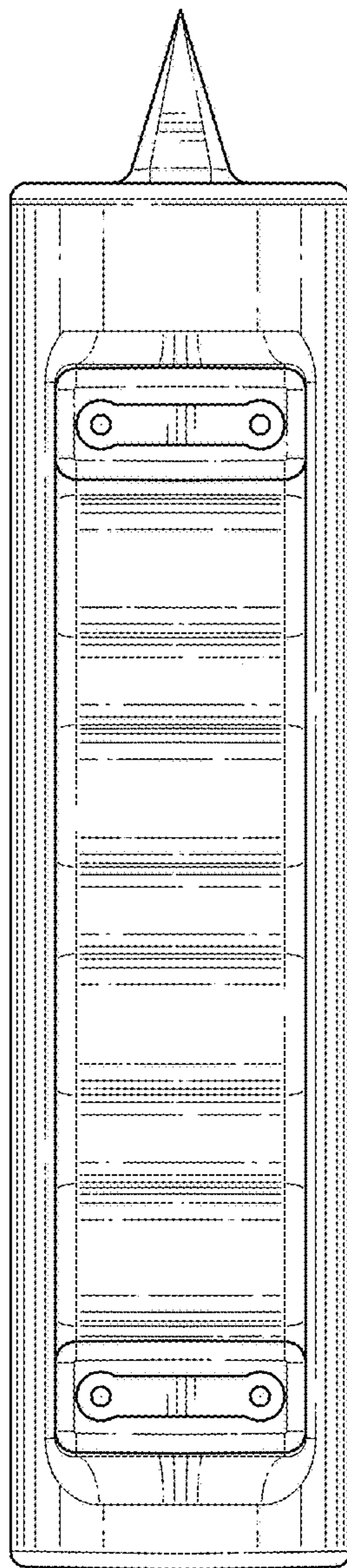


FIG. 4

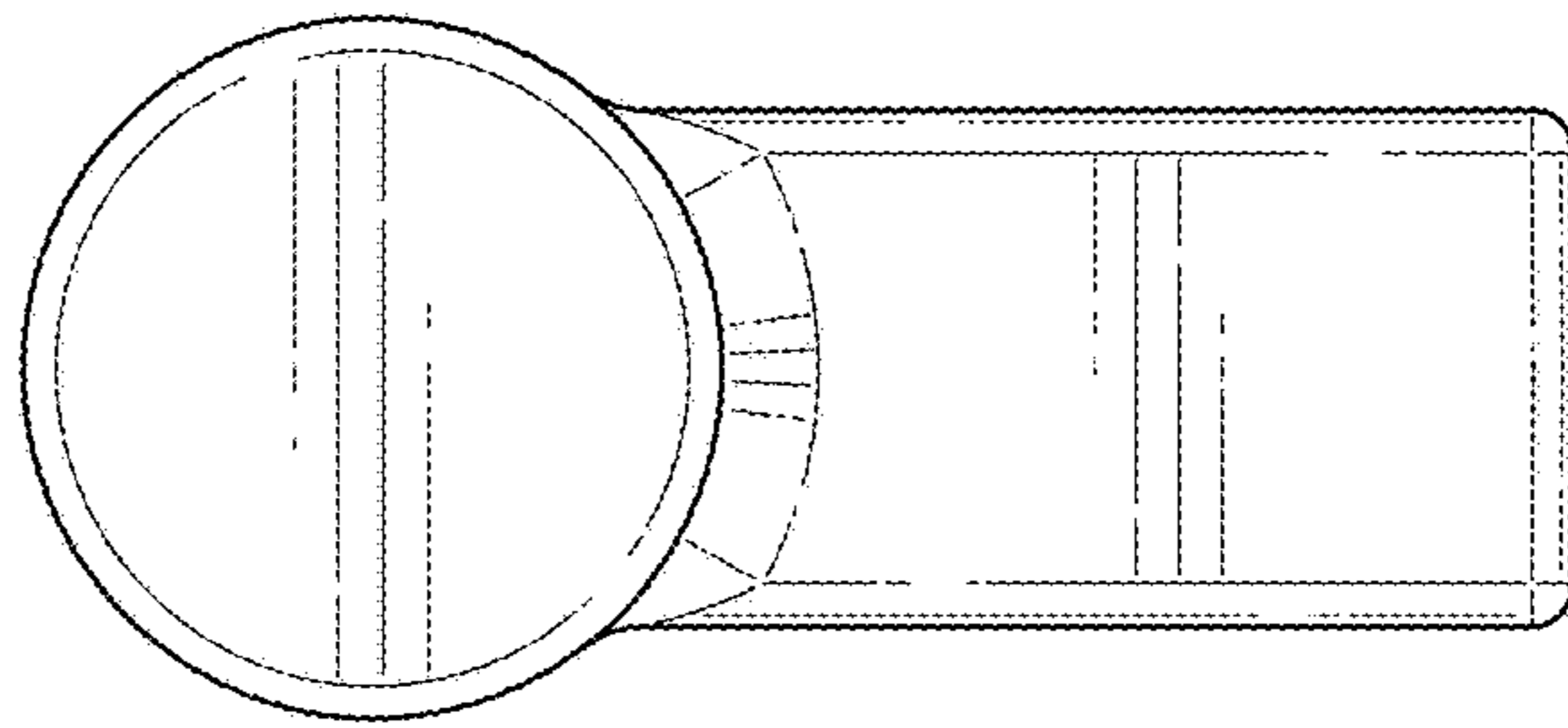


FIG. 5

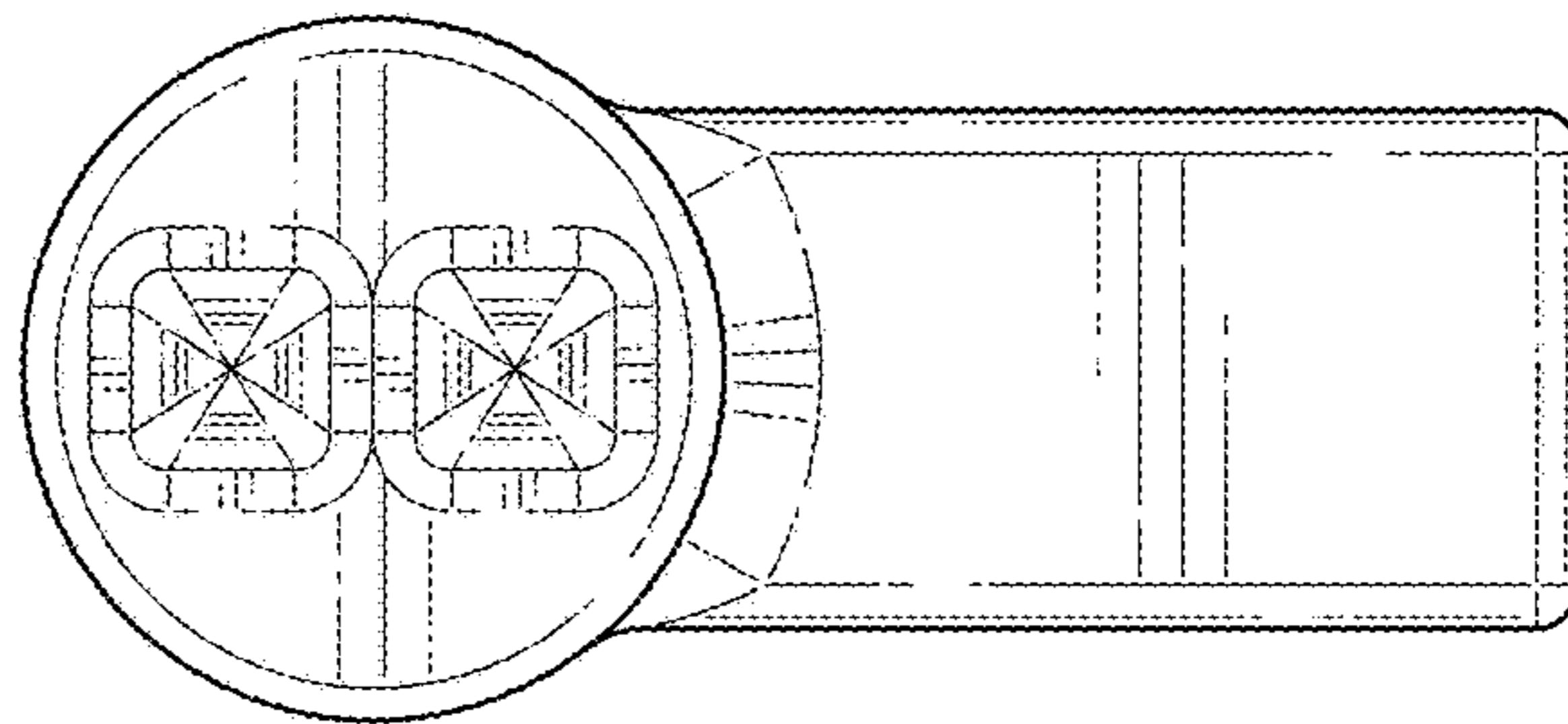


FIG. 6