



US00D867513S

(12) **United States Design Patent**
Zeppetzauer

(10) **Patent No.:** **US D867,513 S**

(45) **Date of Patent:** **** Nov. 19, 2019**

(54) **TELESCOPIC SIGHT FOR FIREARMS**

(71) Applicant: **SWAROVSKI-OPTIK KG.**, Absam
(AT)

(72) Inventor: **Mario Zeppetzauer**, Linz (AT)

(73) Assignee: **SWAROVSKI-OPTIK KG.**, Absam
(AT)

(**) Term: **15 Years**

(21) Appl. No.: **29/638,009**

(22) Filed: **Feb. 23, 2018**

Related U.S. Application Data

(62) Division of application No. 35/502,462, filed on Jan. 31, 2017 (U.S. filing date under 35 U.S.C. 384), and
(Continued)

(51) **LOC (12) Cl.** **22-01**

(52) **U.S. Cl.**
USPC **D22/109**

(58) **Field of Classification Search**
USPC D22/108-109; D16/132, 130, 133, 330,
D16/134

(Continued)

(56) **References Cited**

U.S. PATENT DOCUMENTS

D513,274 S * 12/2005 Chen D16/132
D595,754 S * 7/2009 Hamilton D16/132

(Continued)

Primary Examiner — Michael A. Pratt

(74) *Attorney, Agent, or Firm* — Collard & Roe, P.C.

(57) **CLAIM**

The ornamental design for telescopic sight for firearms, as shown and described.

DESCRIPTION

The patent or application file contains at least one drawing executed in color. Copies of this patent or patent application publication with color drawing (s) will be provided by the Office upon request and payment of the necessary fee.

FIG. 1 is a front and side perspective view of a telescopic sight for firearms, showing one embodiment of my new design;

FIG. 2 is a front view thereof;

FIG. 3 is a right side view thereof;

FIG. 4 is a top view thereof;

FIG. 5 is a left side view thereof;

FIG. 6 is a bottom view thereof;

FIG. 7 is a rear view thereof;

FIG. 8 is a front and side perspective view of a telescopic sight for firearms, showing another embodiment of my new design;

FIG. 9 is a front view of the embodiment of FIG. 8;

FIG. 10 is a right side view of the embodiment of FIG. 8;

FIG. 11 is a top view of the embodiment of FIG. 8;

FIG. 12 is a left side view of the embodiment of FIG. 8;

FIG. 13 is a bottom view of the embodiment of FIG. 8;

FIG. 14 is a rear view of the embodiment of FIG. 8;

FIG. 15 a front and side perspective view of a telescopic sight for firearms, showing another embodiment of my new design;

FIG. 16 is a front view of the embodiment of FIG. 15;

FIG. 17 is a right side view of the embodiment of FIG. 15;

FIG. 18 is a top view of the embodiment of FIG. 15;

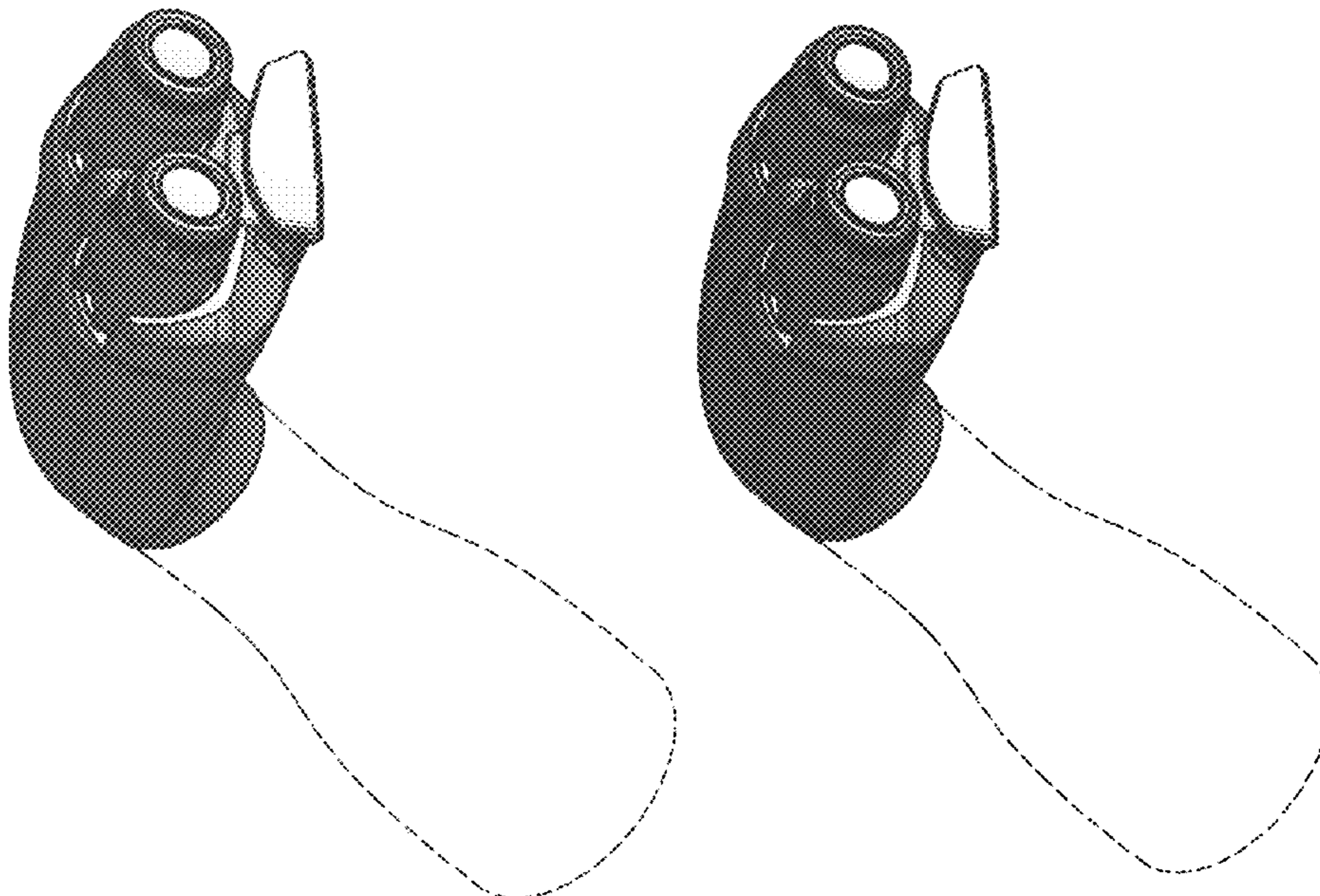
FIG. 19 is a left side view of the embodiment of FIG. 15;

FIG. 20 is a bottom view of the embodiment of FIG. 15; and,

FIG. 21 is a rear view of the embodiment of FIG. 15.

The features shown in broken lines depict portions of the telescopic sights that form no part of the claimed design.

1 Claim, 21 Drawing Sheets
(7 of 21 Drawing Sheet(s) Filed in Color)



Related U.S. Application Data

having an international filing date of Jan. 31, 2017,
now Pat. No. Des. 820,939.

(58) **Field of Classification Search**

CPC F41G 11/001; F41G 11/003; F41G 11/004;
F41G 1/00; F41G 1/38; F41G 11/005

See application file for complete search history.

(56) **References Cited**

U.S. PATENT DOCUMENTS

D685,832 S *	7/2013	Wunnicke	D16/132
D695,326 S *	12/2013	Hoelbl	D16/132
D695,327 S *	12/2013	Hoelbl	D16/132
D724,129 S *	3/2015	Marsiglia	D16/132
9,703,088 B2 *	7/2017	Roider	G02B 23/145

* cited by examiner

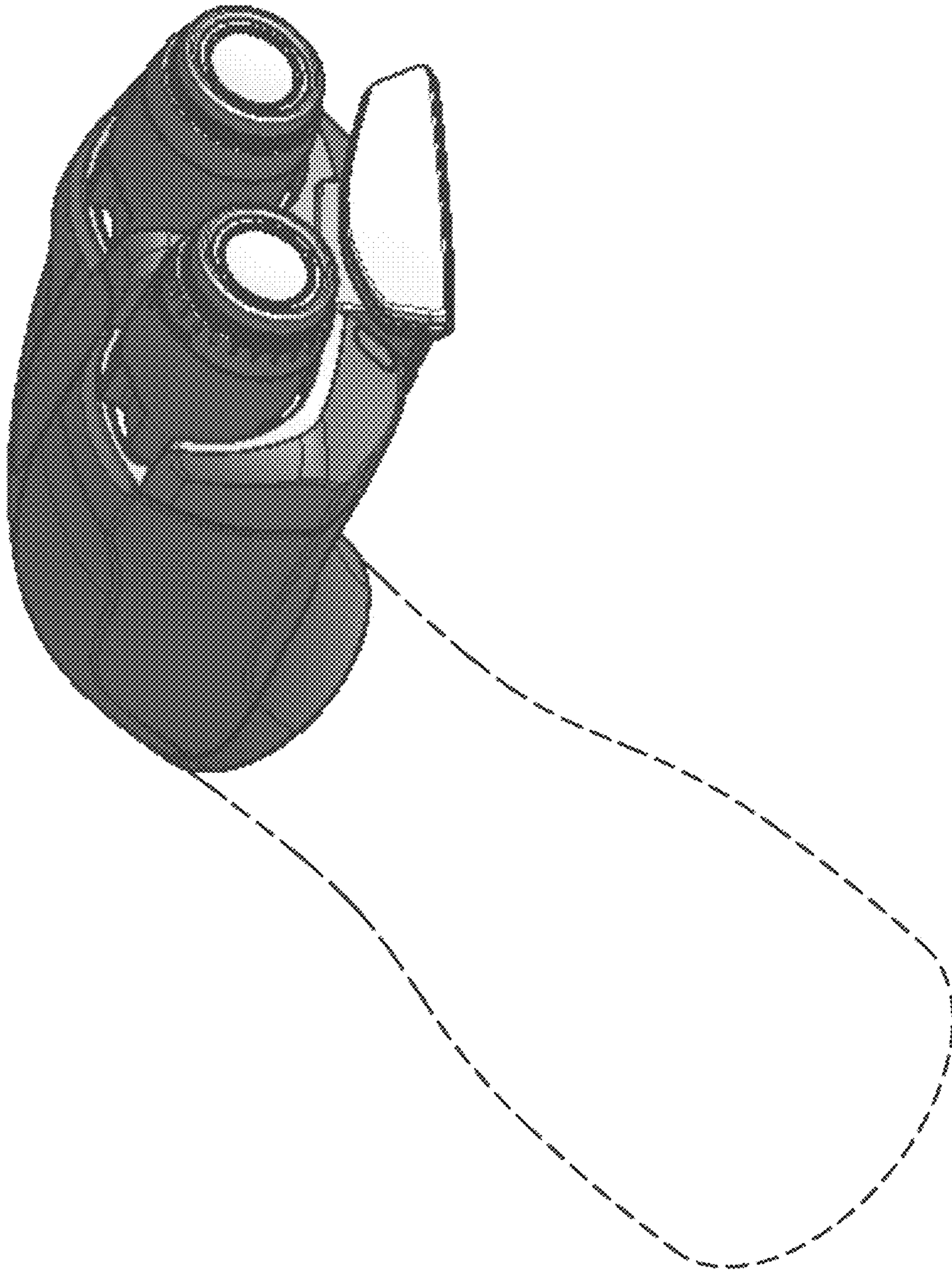


FIG. 1

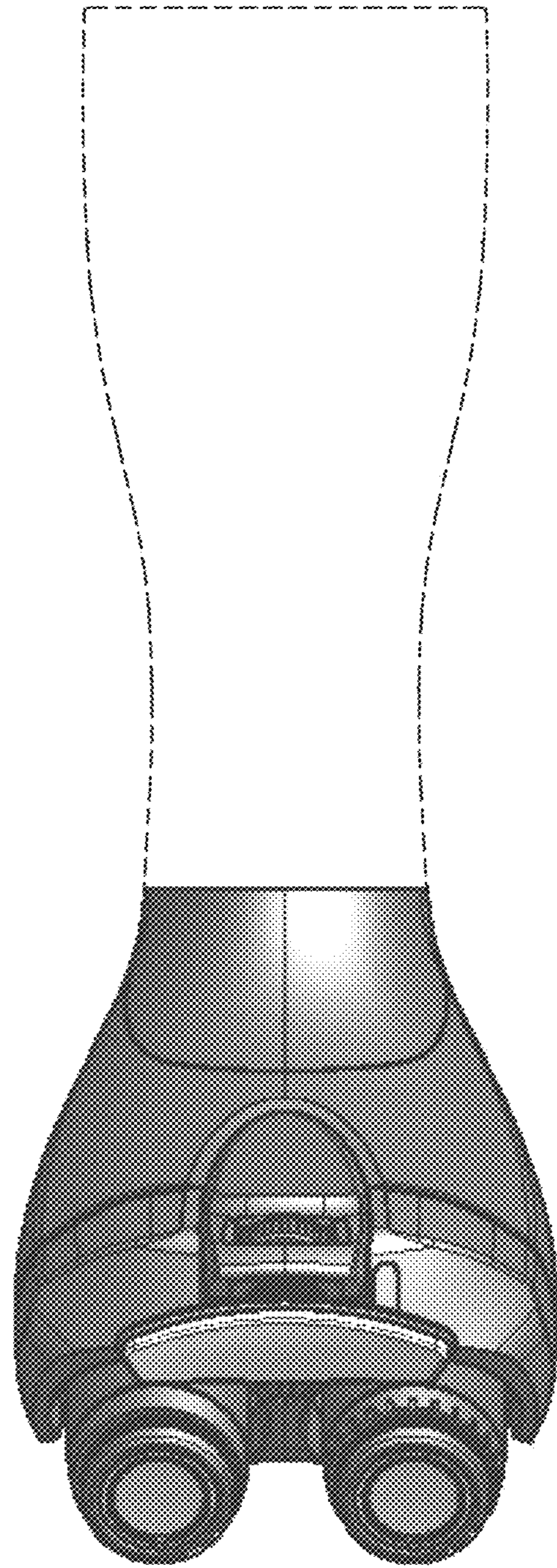


FIG. 2

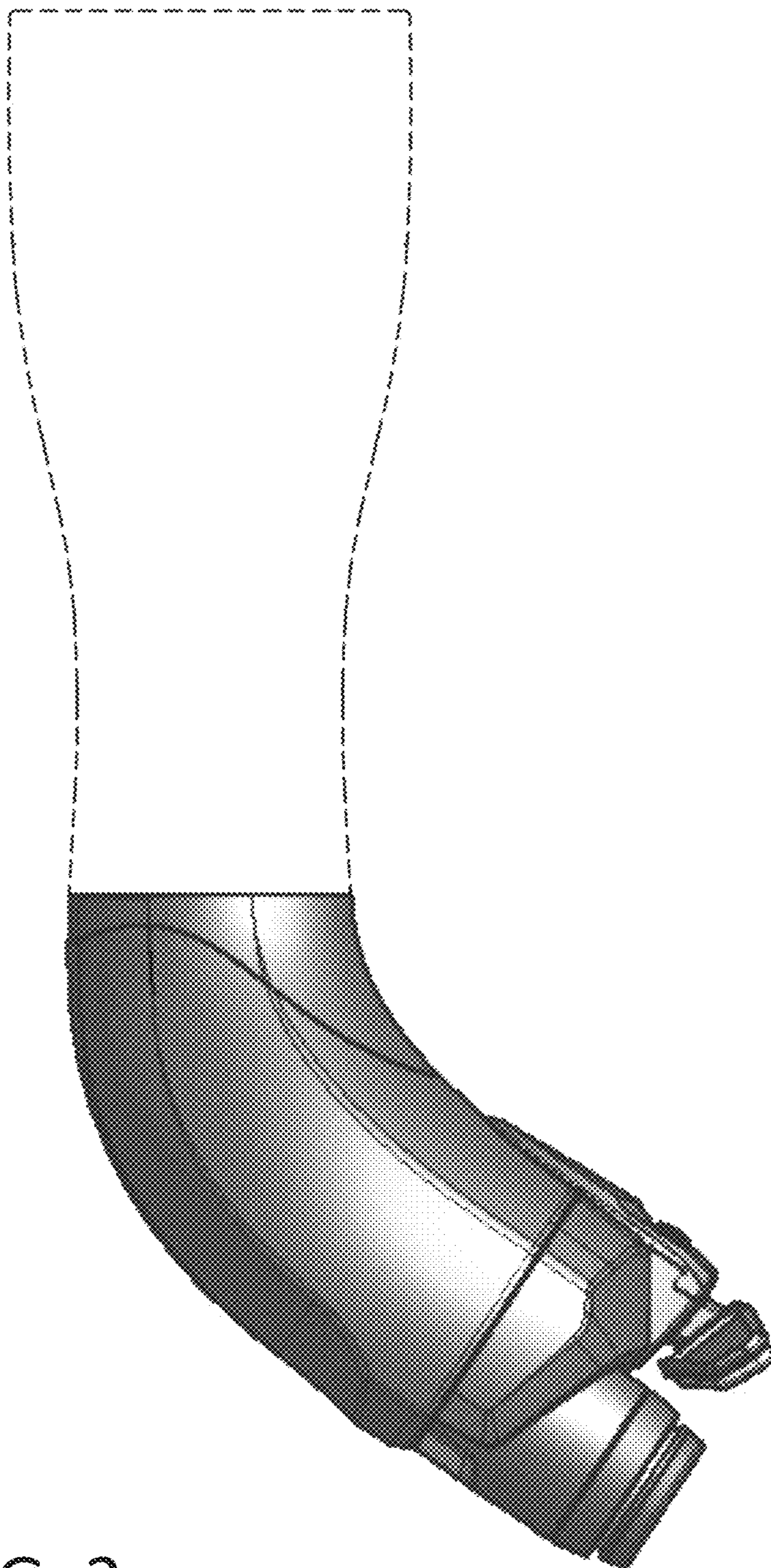


FIG. 3

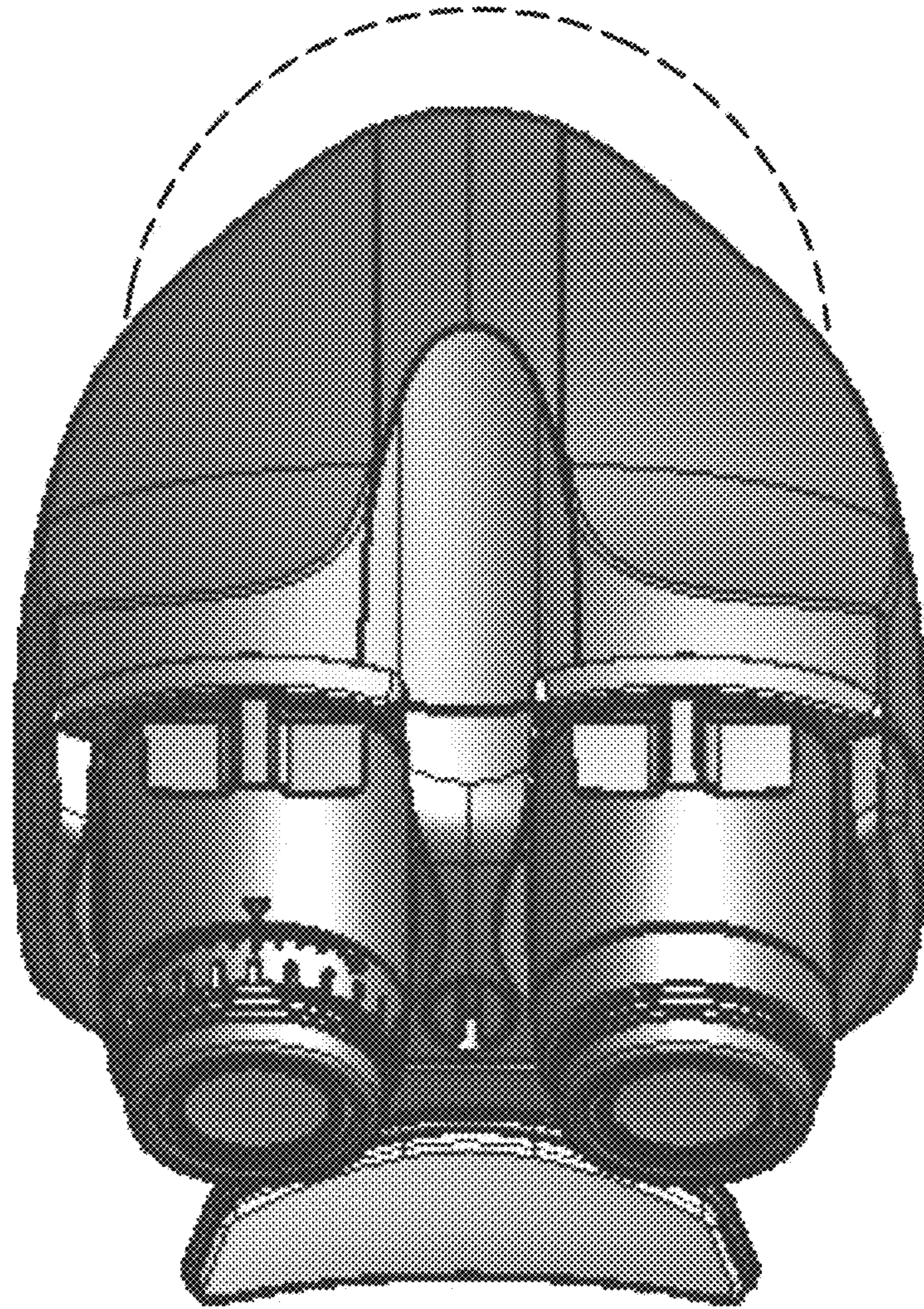


FIG. 4

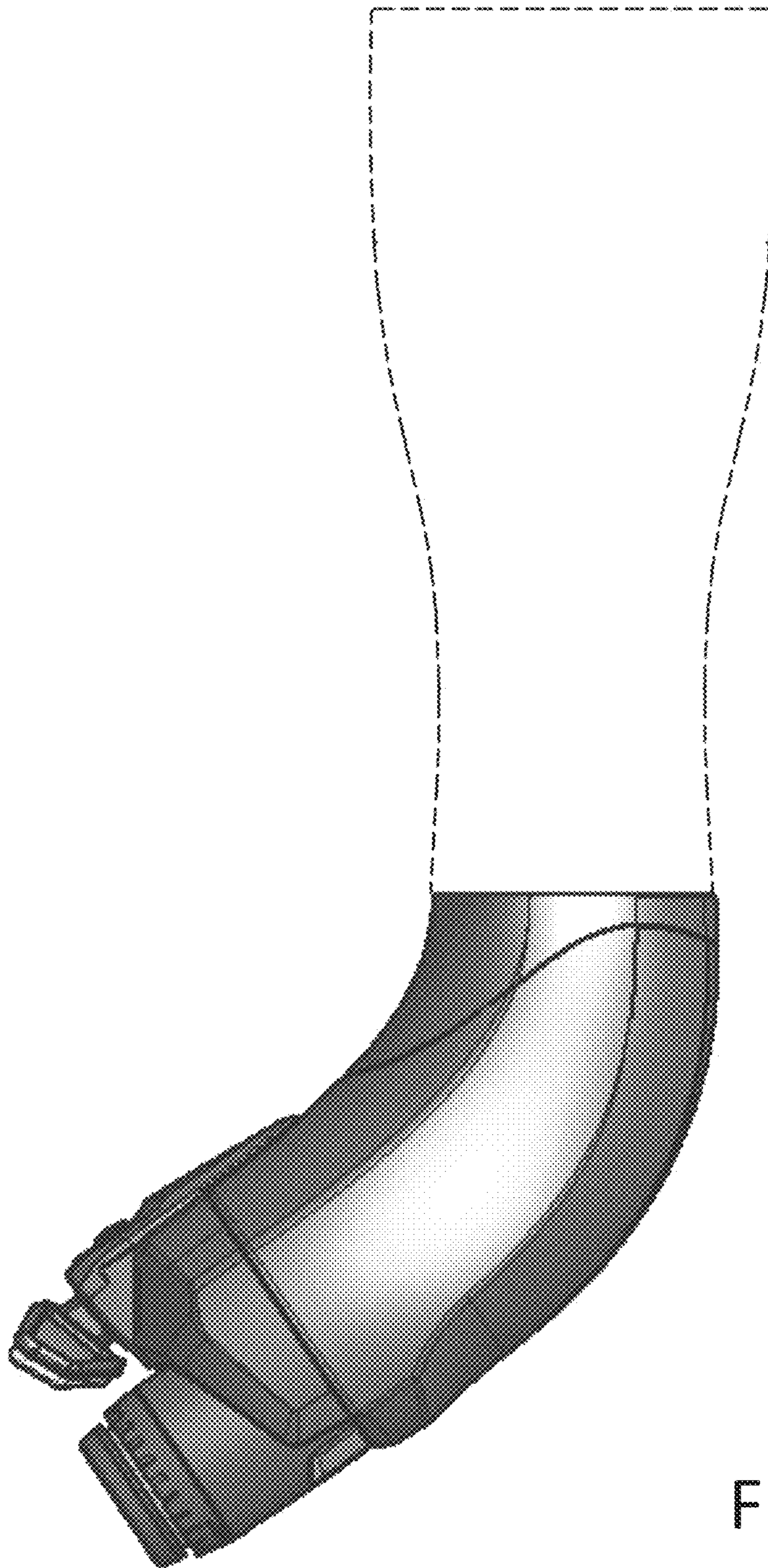


FIG. 5

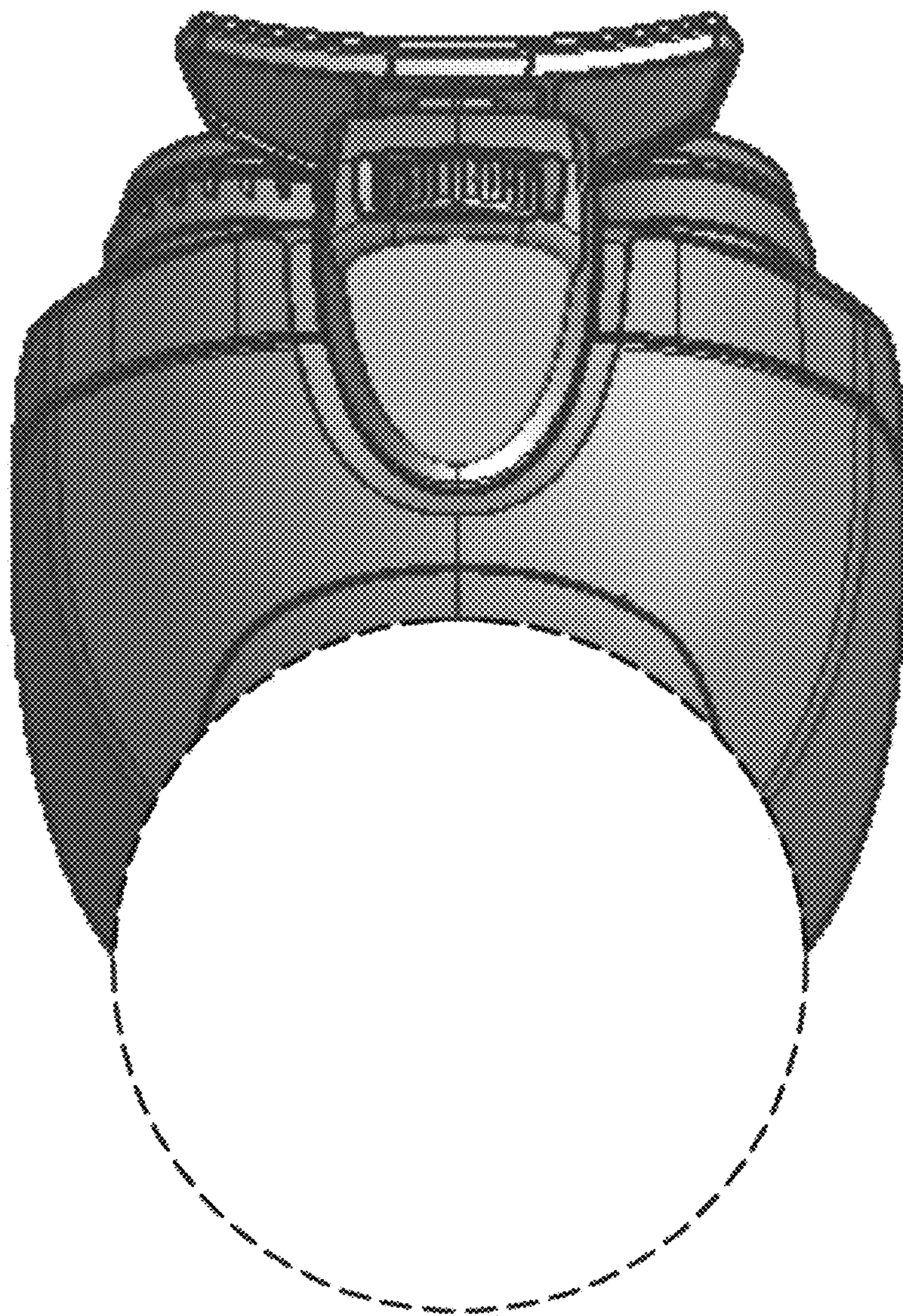


FIG. 6

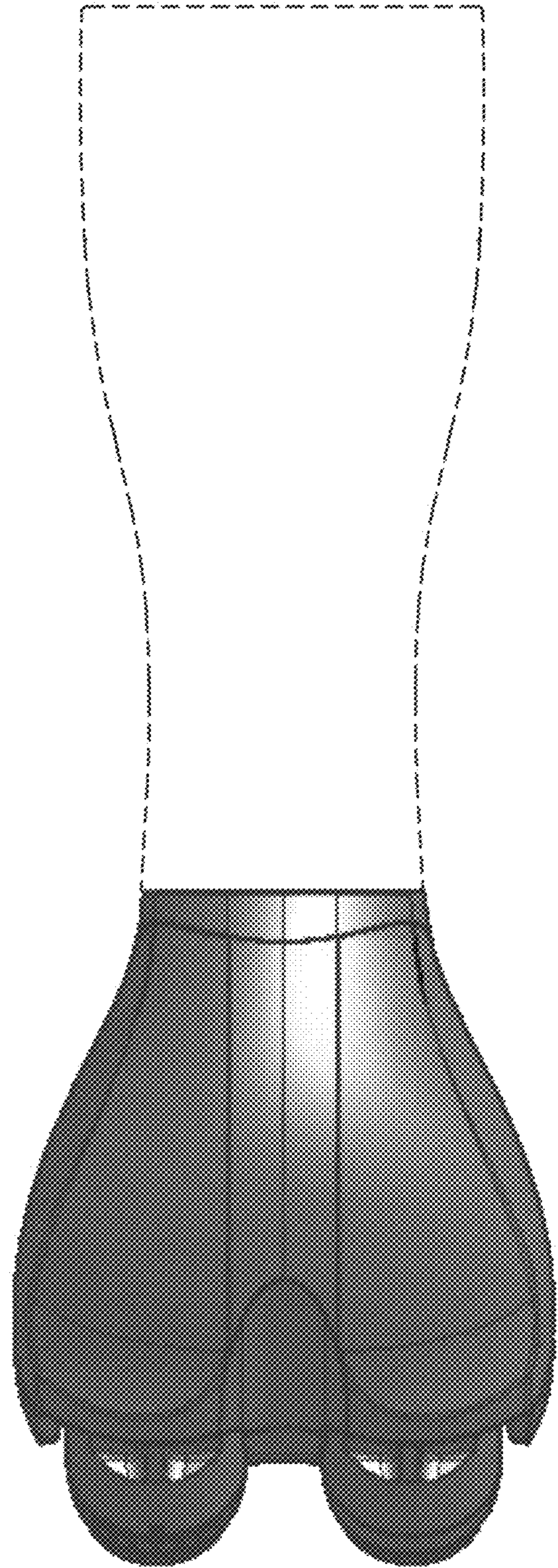


FIG. 7

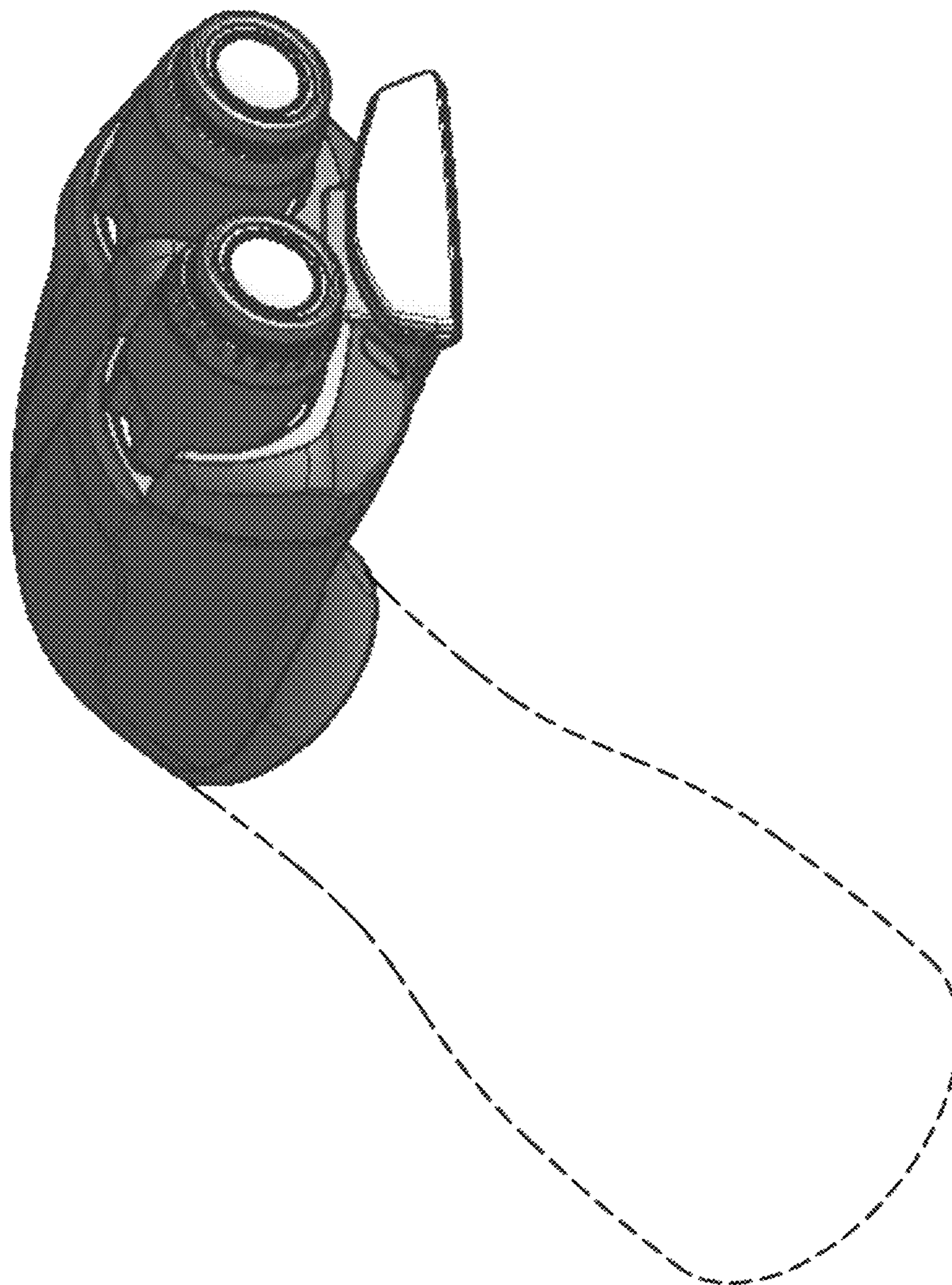


FIG. 8

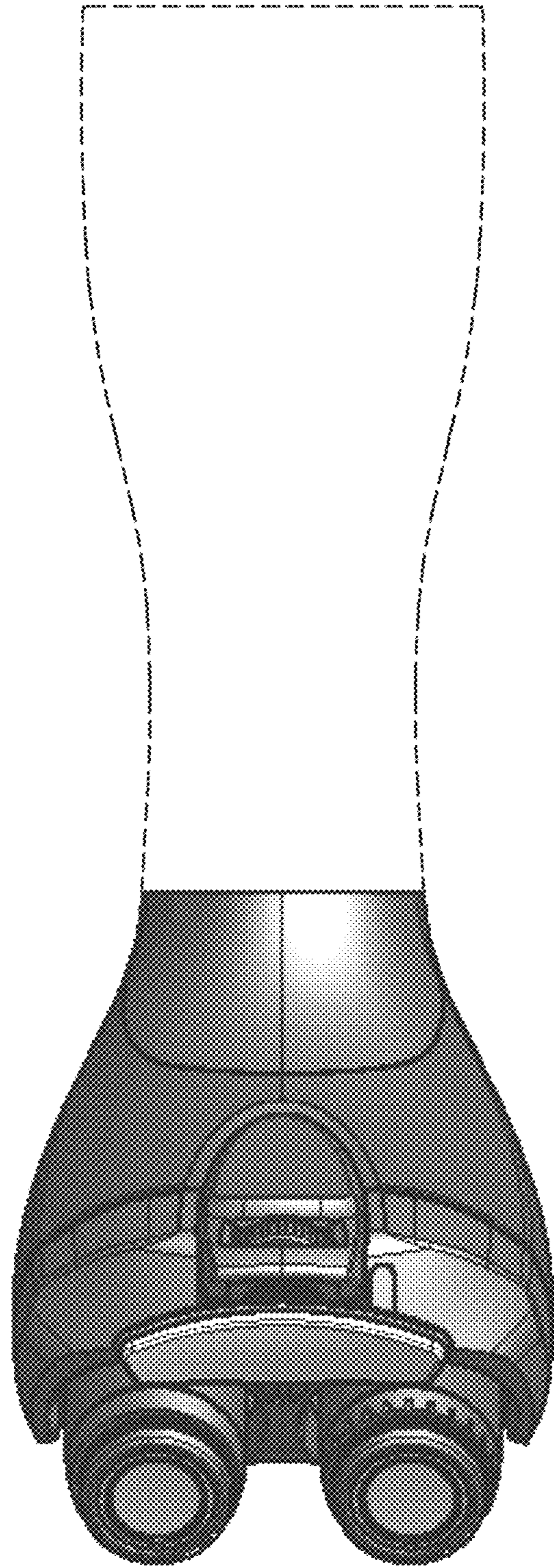


FIG. 9

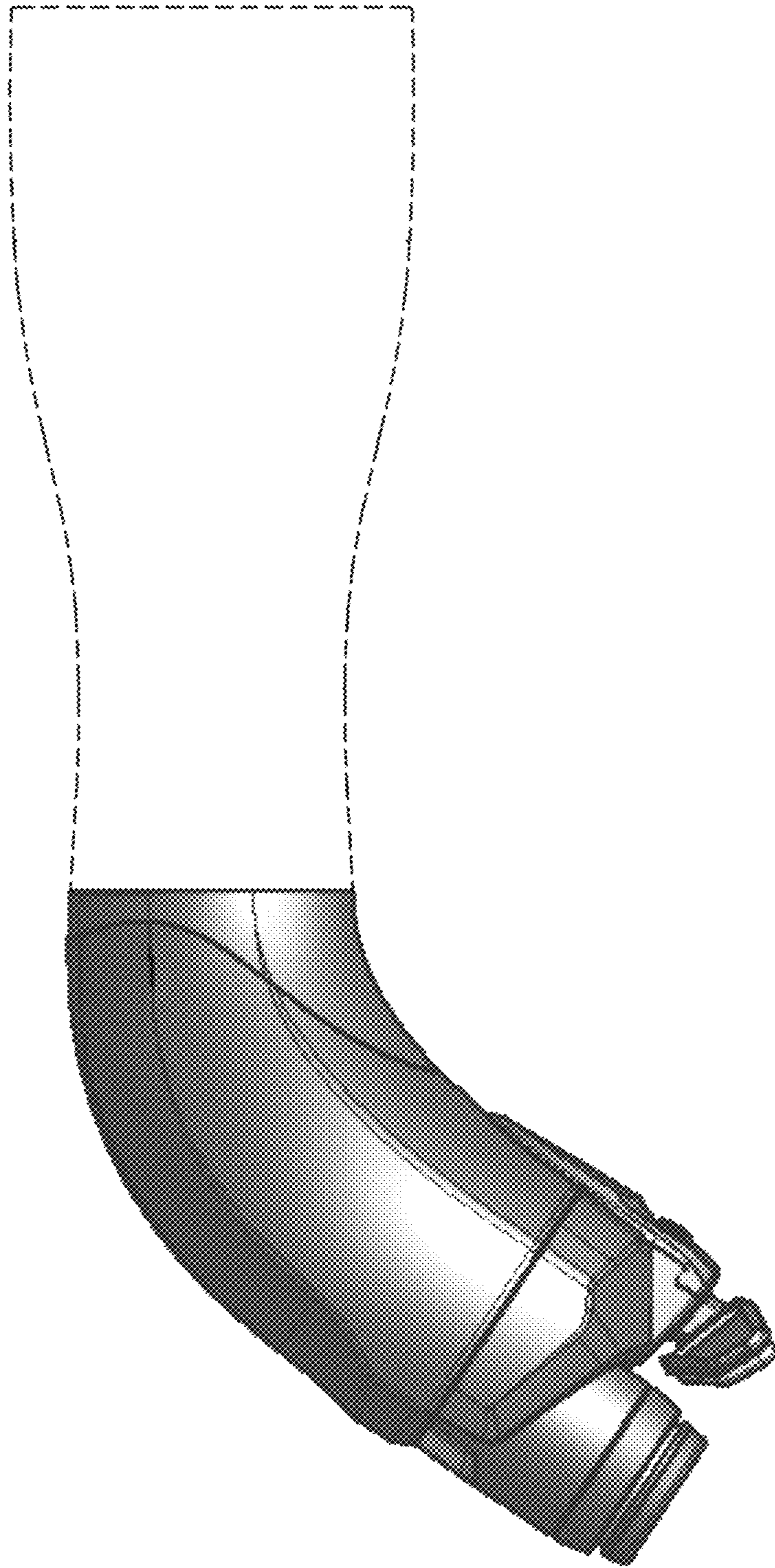


FIG. 10

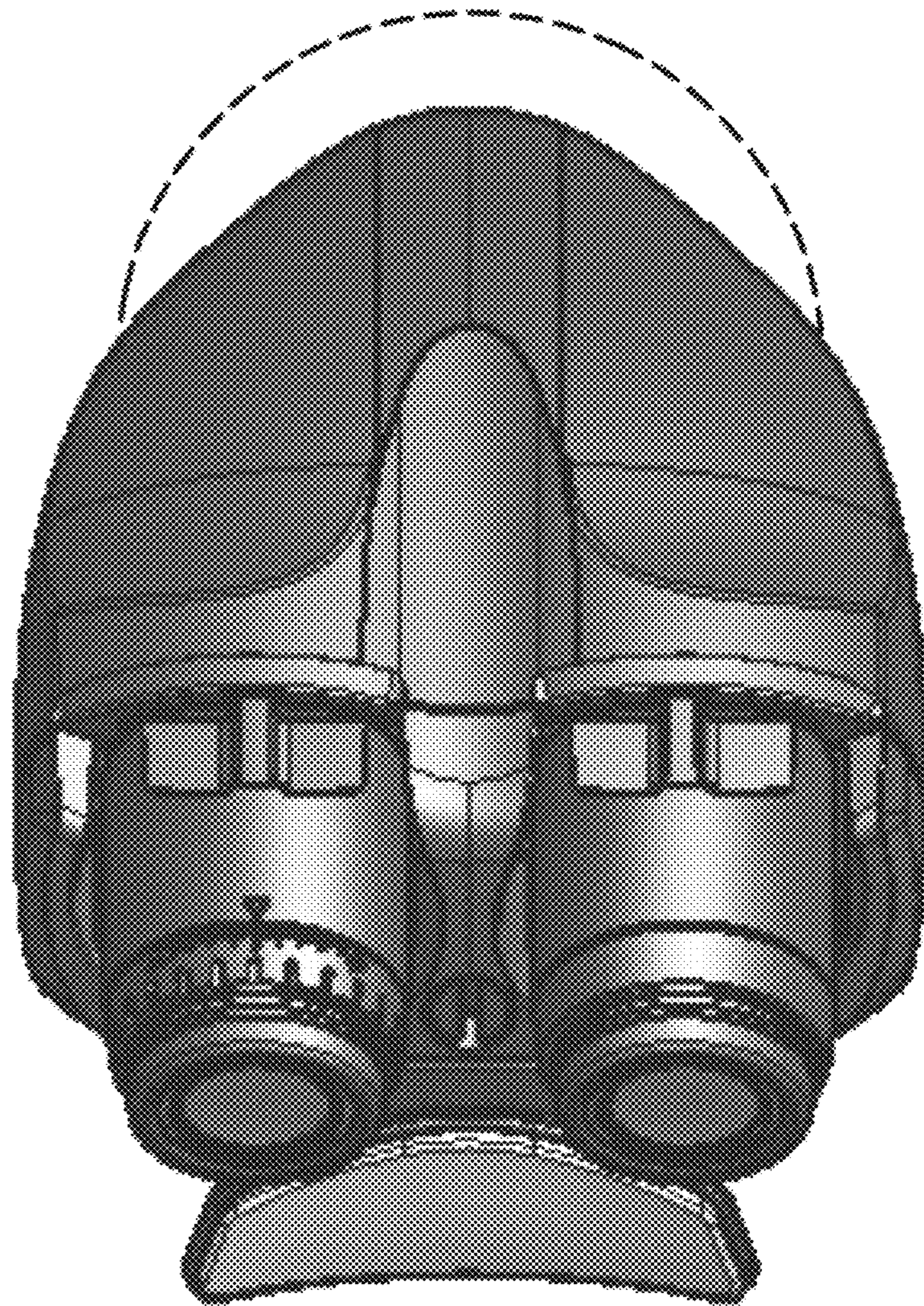


FIG. 11

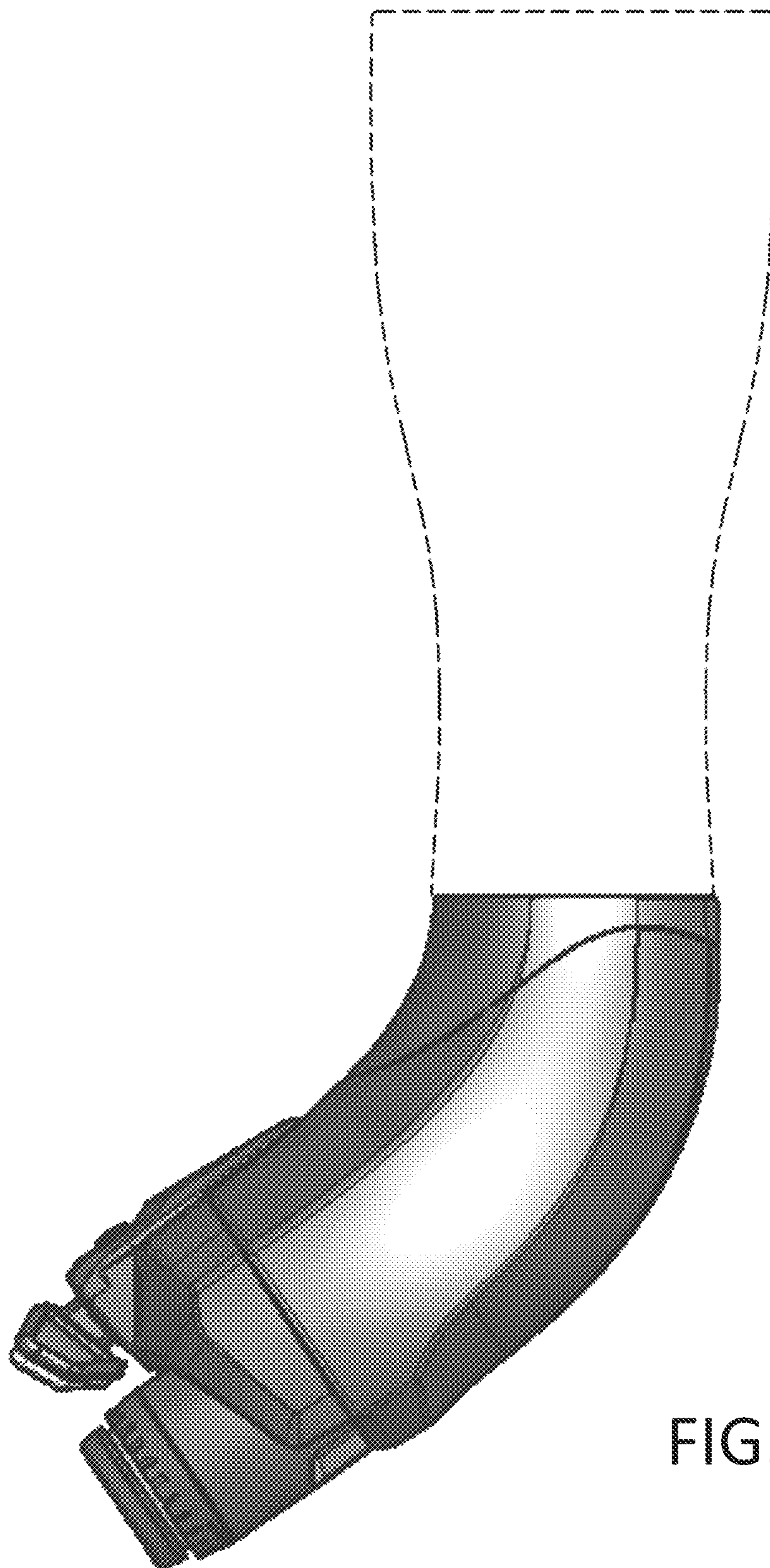


FIG. 12

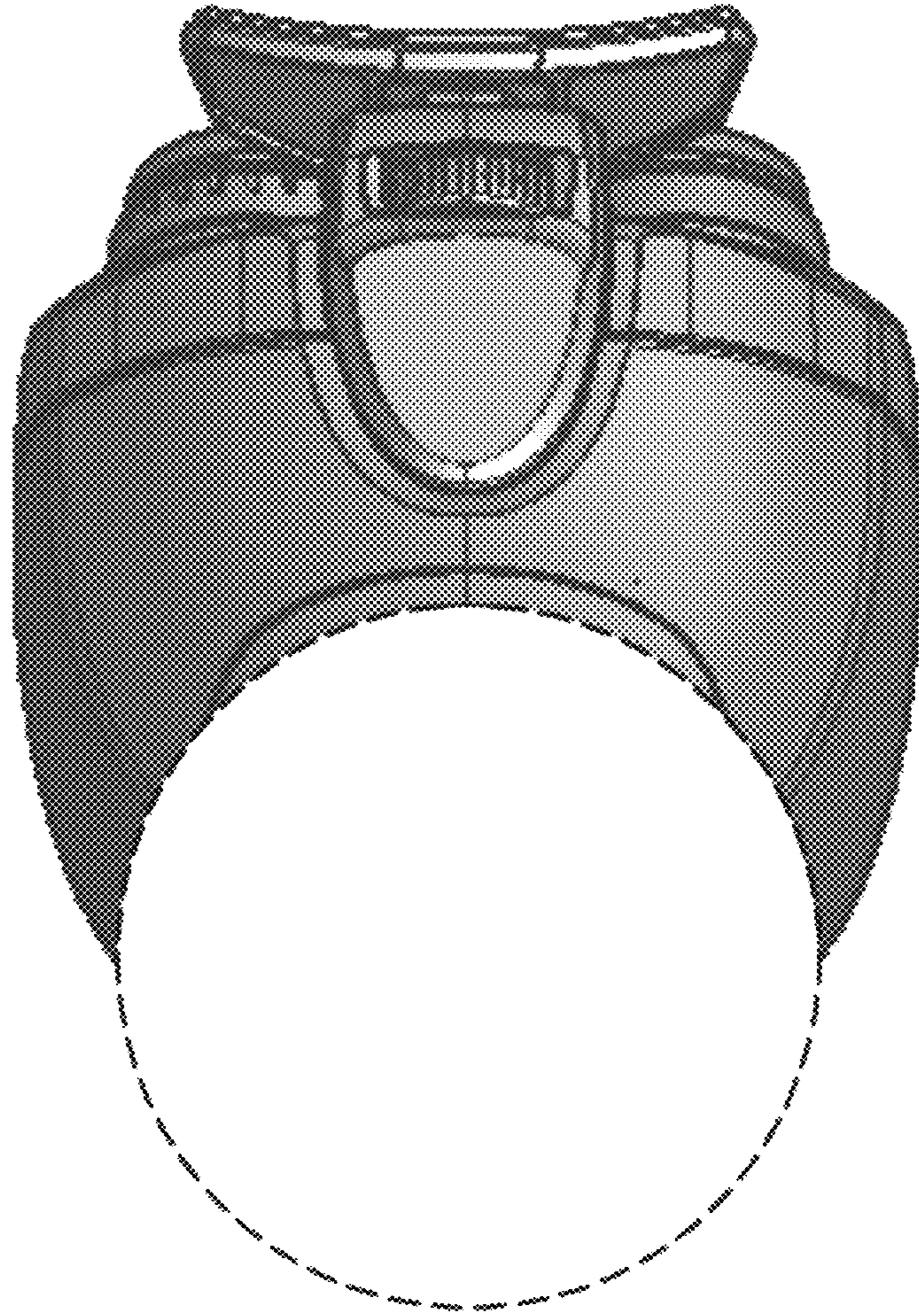


FIG. 13

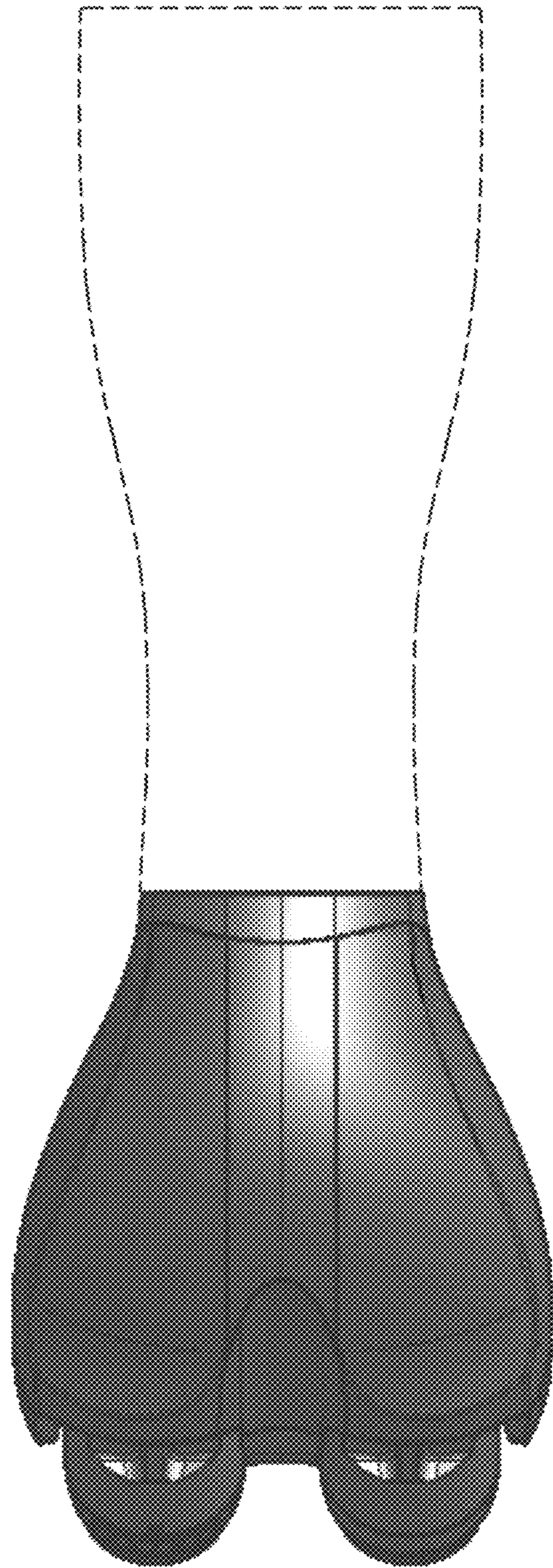


FIG. 14

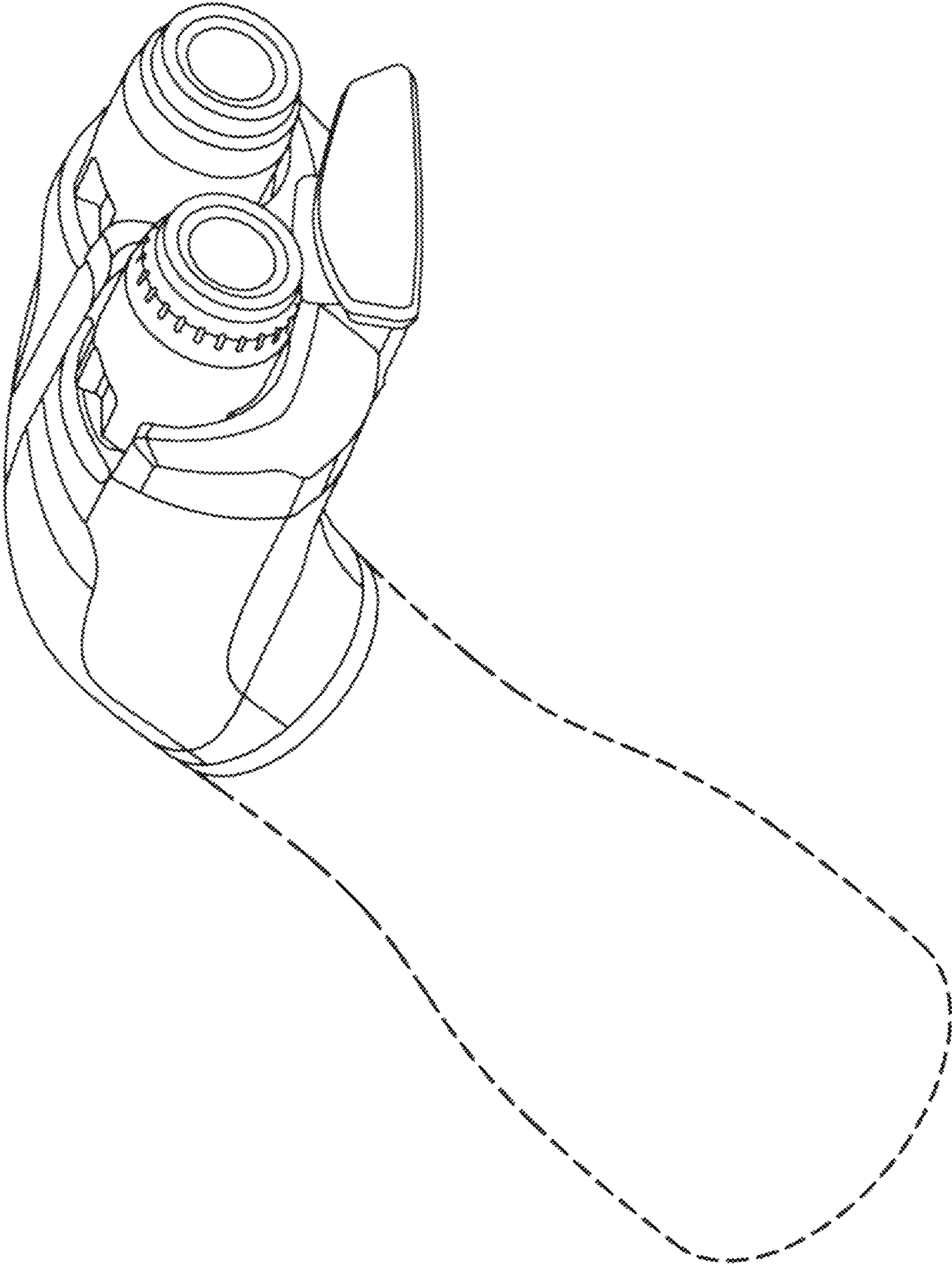


FIG. 15

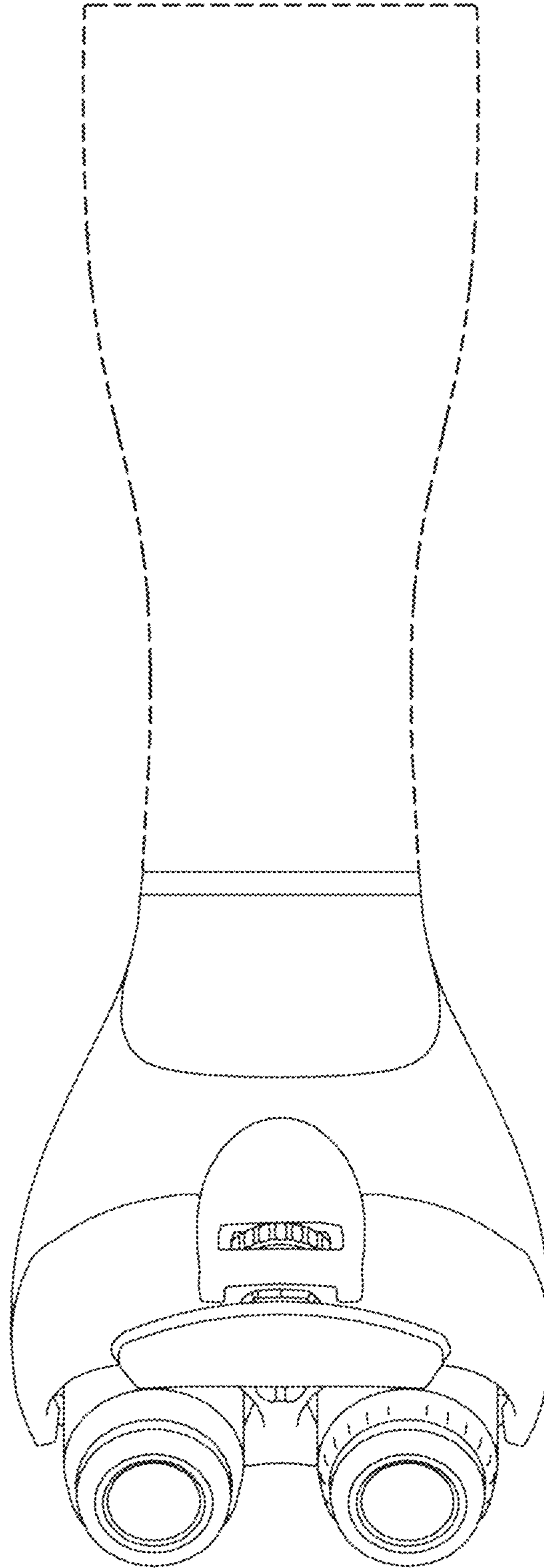


FIG. 16

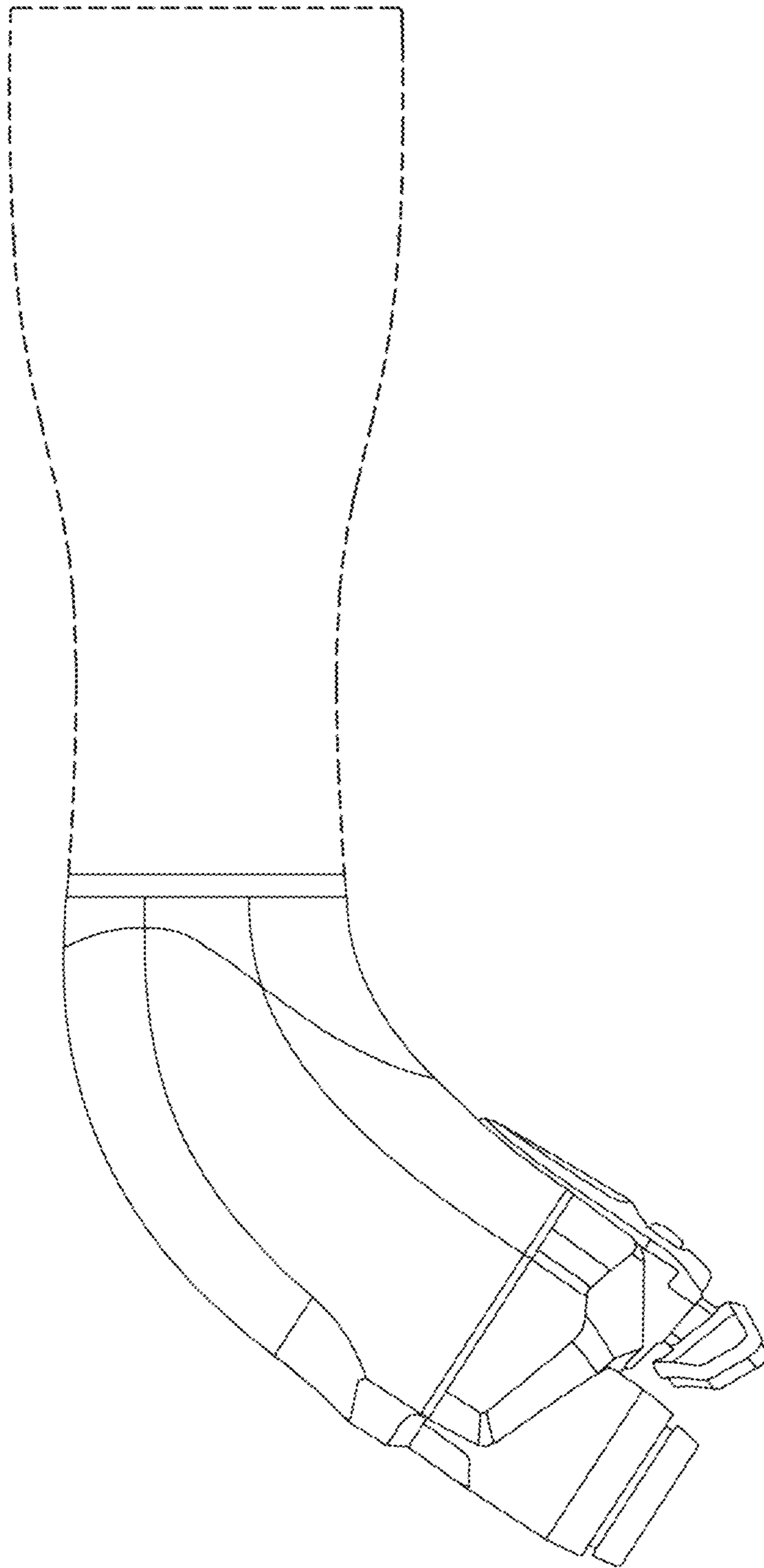


FIG. 17

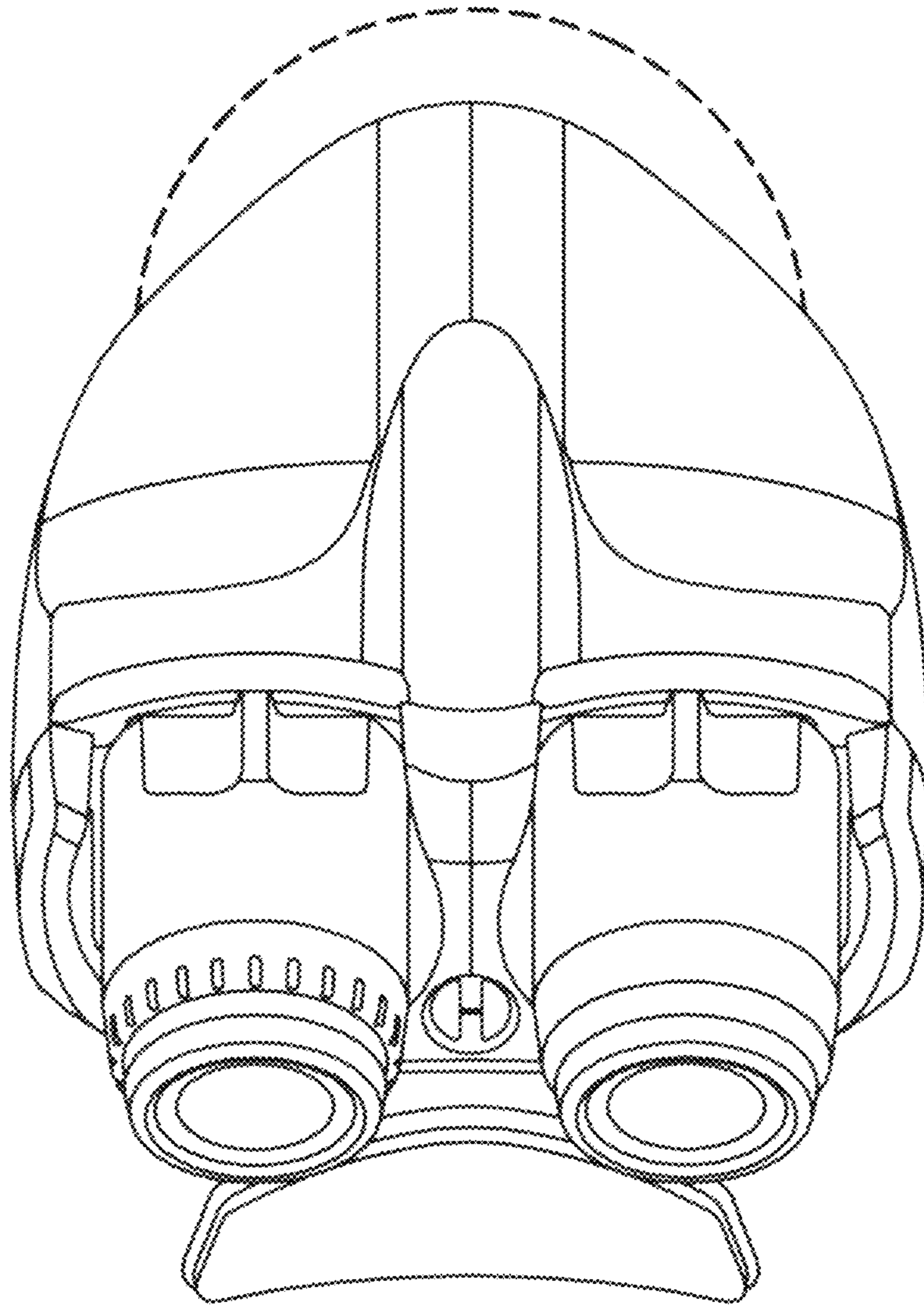


FIG. 18

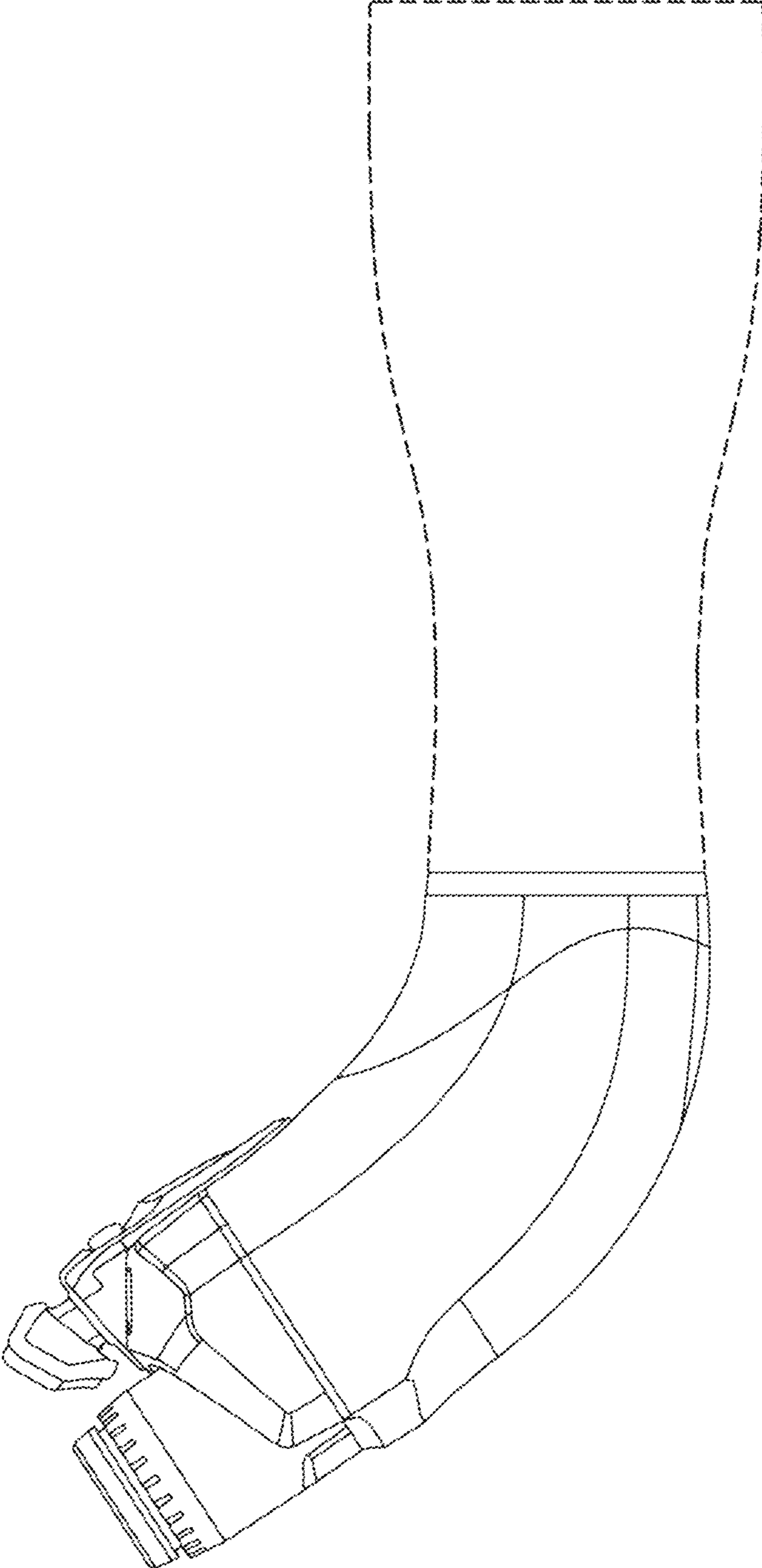


FIG. 19

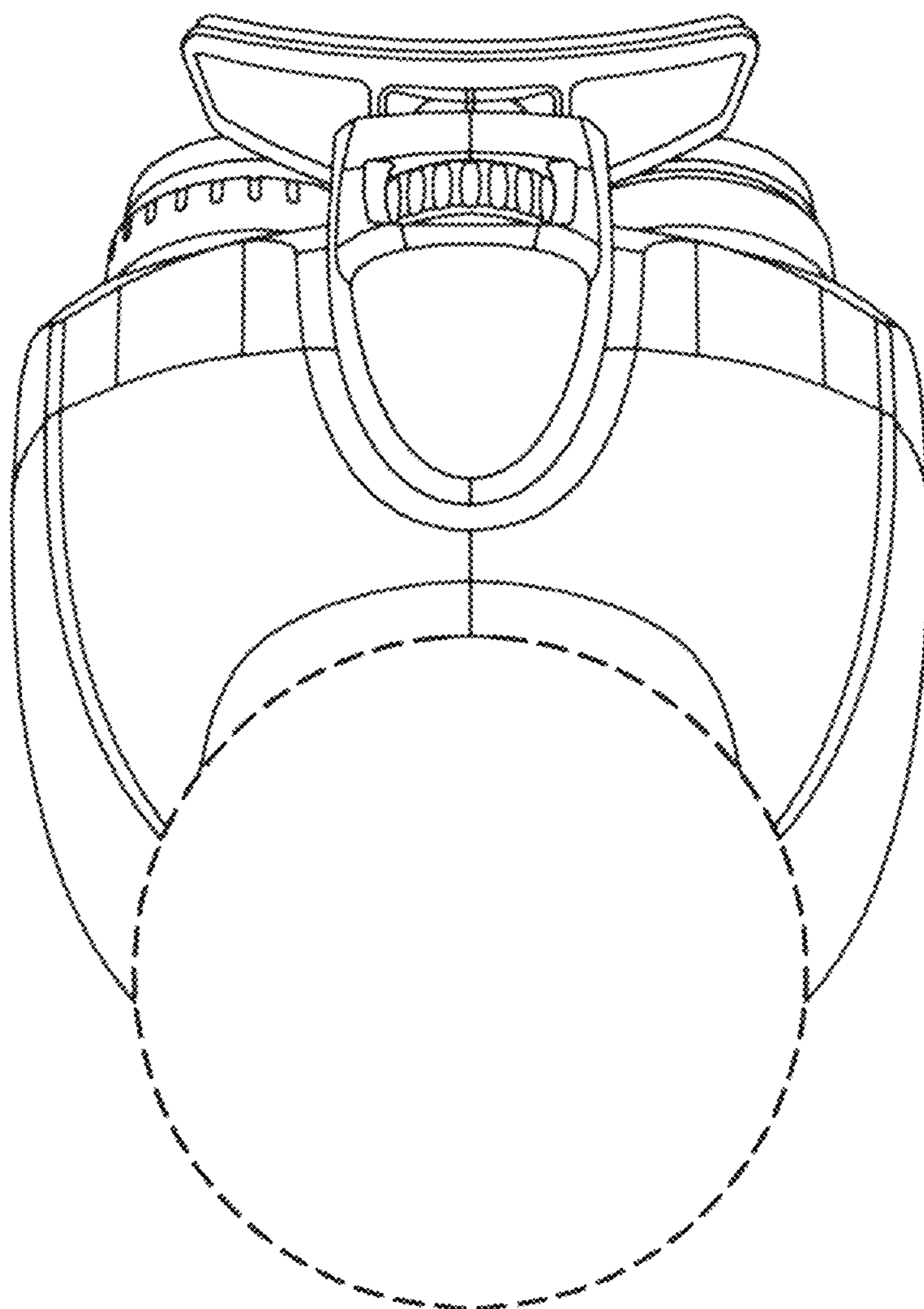


FIG. 20

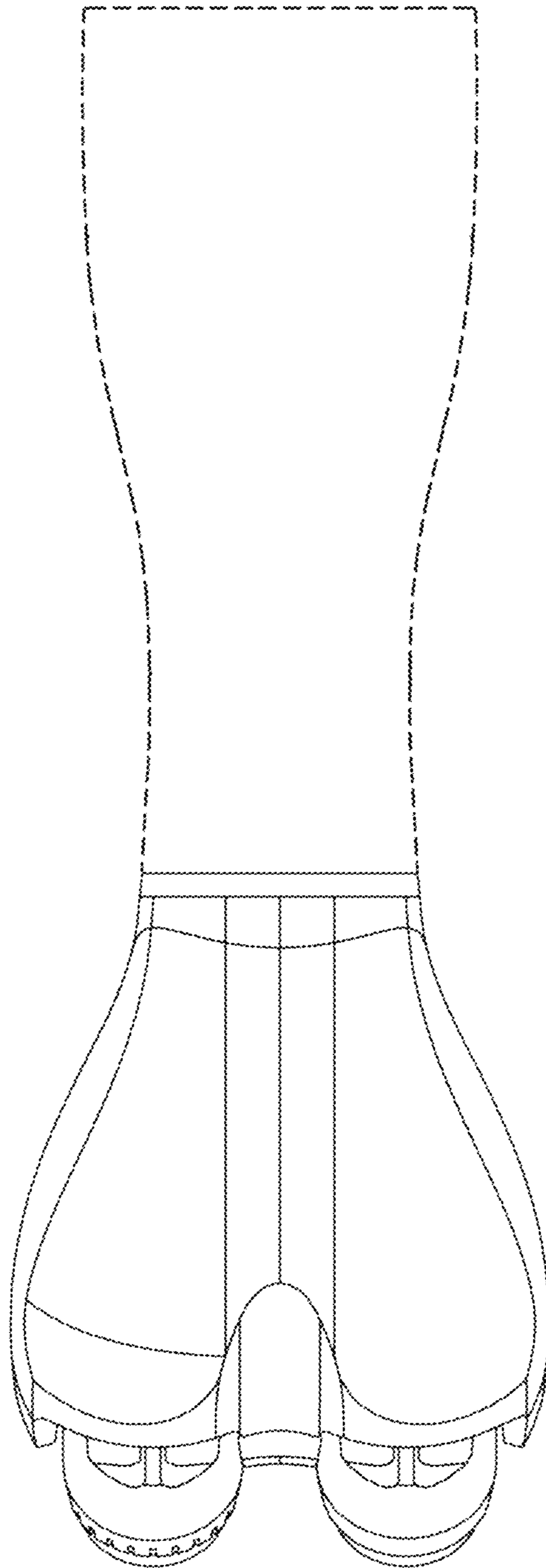


FIG. 21