



US00D867512S

(12) **United States Design Patent** (10) **Patent No.:** **US D867,512 S**
Zukowski (45) **Date of Patent:** **** Nov. 19, 2019**

(54) **PISTOL GRIP SAFETY**

OTHER PUBLICATIONS

(71) Applicant: **Smith & Wesson Corp.**, Springfield, MA (US)

CN-304835437, posted at Orbit.com, publication date Sep. 28, 2018. Available from Internet. (Year: 2018).*

(Continued)

(72) Inventor: **Gary Zukowski**, Ludlow, MA (US)

Primary Examiner — Kevin K Rudzinski

(73) Assignee: **Smith & Wesson Inc.**, Springfield, MA (US)

Assistant Examiner — Kathleen L Jones

(74) *Attorney, Agent, or Firm* — John A. Chionchio, Esq.; Ballard Spahr LLP

(**) Term: **15 Years**

(21) Appl. No.: **29/679,971**

(57) **CLAIM**

(22) Filed: **Feb. 12, 2019**

I claim the ornamental design for a pistol grip safety, as shown and described.

Related U.S. Application Data

(62) Division of application No. 29/605,493, filed on May 26, 2017, now Pat. No. Des. 846,681.

DESCRIPTION

(51) **LOC (12) Cl.** **22-01**

FIG. 1 is an isometric view of a pistol grip safety according to the invention shown within a broken line environment of use attached to a pistol;

(52) **U.S. Cl.**

USPC **D22/108**

FIG. 2 is an isometric view of the pistol grip safety shown in FIG. 1;

(58) **Field of Classification Search**

USPC D22/103, 107, 108–111, 199;

D21/571–575

FIG. 3 is a right side view of the pistol grip safety shown in FIG. 1;

CPC F41C 23/00; F41C 23/10; F41C 23/14;

F41C 23/16; F41C 23/18; F41A 17/00;

F41A 17/20; F41A 17/22; F41A 17/24;

F41A 17/26; F41A 17/28; F41A 17/52;

FIG. 4 is a rear view of the pistol grip safety shown in FIG. 1;

(Continued)

FIG. 5 is a front view of the pistol grip safety shown in FIG. 1;

(56) **References Cited**

U.S. PATENT DOCUMENTS

6,345,461 B1 * 2/2002 Constant F41A 17/04
42/70.11

D564,616 S * 3/2008 Novak D22/108

D658,262 S * 4/2012 Rogers D22/104

(Continued)

FIG. 6 is a top view of the pistol grip safety shown in FIG. 1; and,

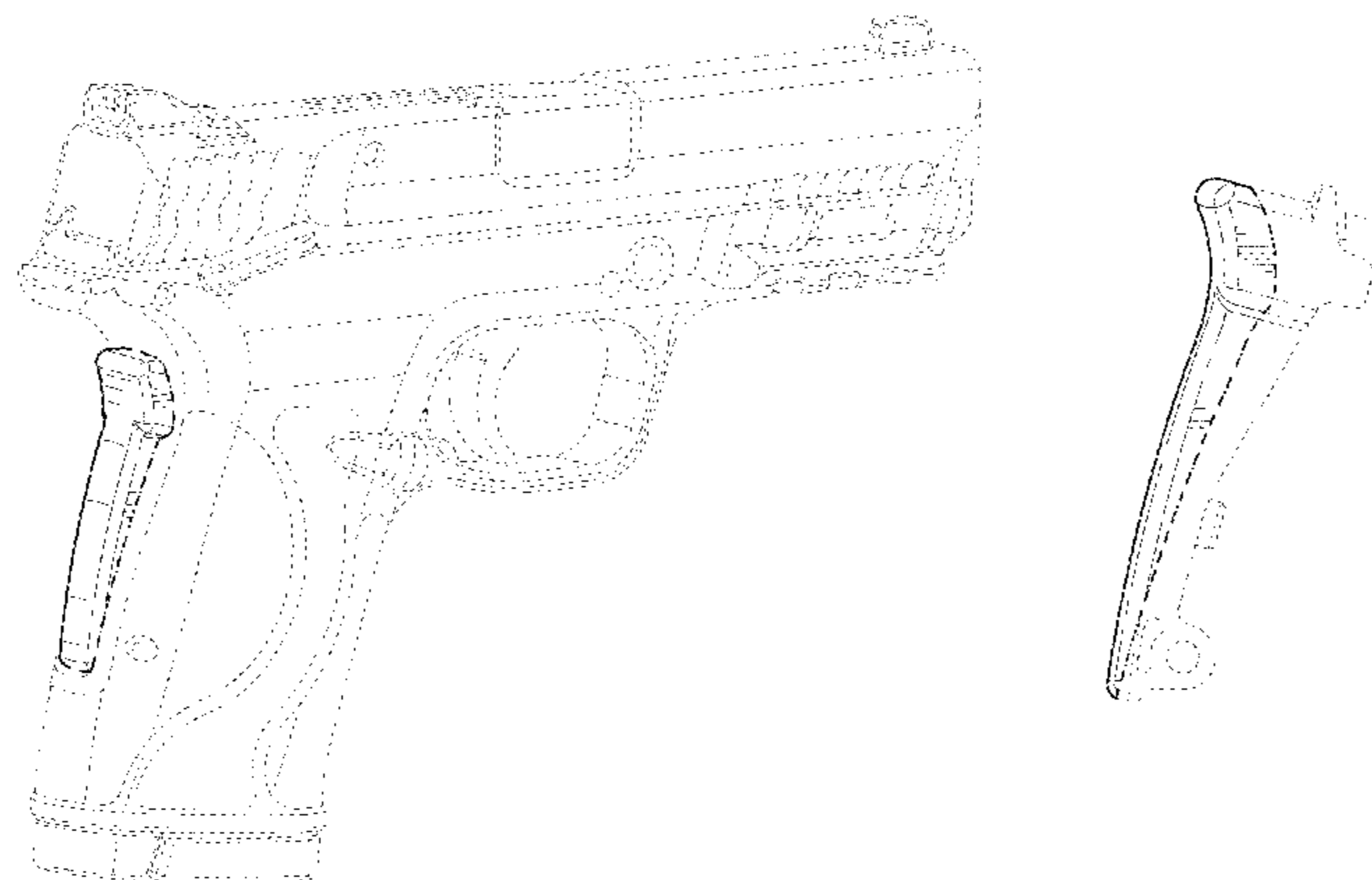
FIG. 7 is a bottom view of the pistol grip safety shown in FIG. 1.

The dotted lines showing a pistol in FIG. 1 are included for the purpose of illustrating environmental structure; the dotted lines showing portions of the pistol grip safety in FIGS. 2-7 are included for the purpose of illustrating portions of the article; the dot dash broken lines shown in the figures illustrate the boundary of the claimed design; all broken lines form no part of the claimed design.

FOREIGN PATENT DOCUMENTS

WO WO0216855 A2 * 2/2002 F41A 19/00

1 Claim, 3 Drawing Sheets



(58) **Field of Classification Search**

CPC F41A 17/54; F41A 17/62; F41A 17/70;
F41A 17/80

See application file for complete search history.

(56) **References Cited**

U.S. PATENT DOCUMENTS

D713,486	S *	9/2014	Acarreta	D22/108
D745,625	S *	12/2015	Acarreta	D22/108
D752,698	S *	3/2016	Miller	D22/108
9,784,525	B2 *	10/2017	Maeda	F41B 11/89
D816,793	S *	5/2018	McCallum	D22/108
D839,377	S *	1/2019	Cheng	D22/108
D846,681	S *	4/2019	Zukowski	D22/104
D855,732	S *	8/2019	Wilson	D22/108
2006/0096147	A1 *	5/2006	Gussalli Beretta	F41C 23/10 42/71.02
2010/0263254	A1 *	10/2010	Glock	F41A 11/02 42/71.02
2010/0281741	A1 *	11/2010	Gibson	F41C 23/10 42/71.02
2013/0125441	A1 *	5/2013	Westwood	F41A 17/02 42/70.05

2014/0007479	A1 *	1/2014	Glock	F41A 3/66 42/16
2014/0338522	A1 *	11/2014	Bellione	F41A 3/12 89/139
2018/0112944	A1 *	4/2018	Underwood	F41A 17/28
2018/0266778	A1 *	9/2018	Noonan	F41A 3/66
2018/0274872	A1 *	9/2018	Zukowski et al.	F41C 3/00
2019/0107348	A1 *	4/2019	Harrigan	F41A 3/66

OTHER PUBLICATIONS

G&A Staff, Review: Smith & Wesson M&P 380 Shield EZ Pistol, posted at Guns and Ammo, posing date Aug. 14, 2018. Site visited Sep. 6, 2019. URL: <<https://www.gunsandammo.com/editorial/review-smith-wesson-mp-shield-ez/247530>> (Year: 2018).*

Glock 22 Gen4 Semi-Auto Pistol, posted at Cheaper Than Dirt, review posted 2013. Site visited Sep. 6, 2019. URL: <<https://www.cheaperthandirt.com/glock-22-gen4-semi-auto-pistol-.40-sandw-4.48-barrel-15-rounds-black/FC-764503052033.html>> (Year: 2013).*

Miles, IWI Releases Enhanced Jericho 941 PL at LAAD 2017, posted at The Firearm Blog, posting date Apr. 13, 2017. Site visited Sep. 6, 2019. URL: <<https://www.thefirearmblog.com/blog/2017/04/13/iwi-releases-enhanced-jericho-941-pl-laad-2017/>> (Year: 2017).*

* cited by examiner

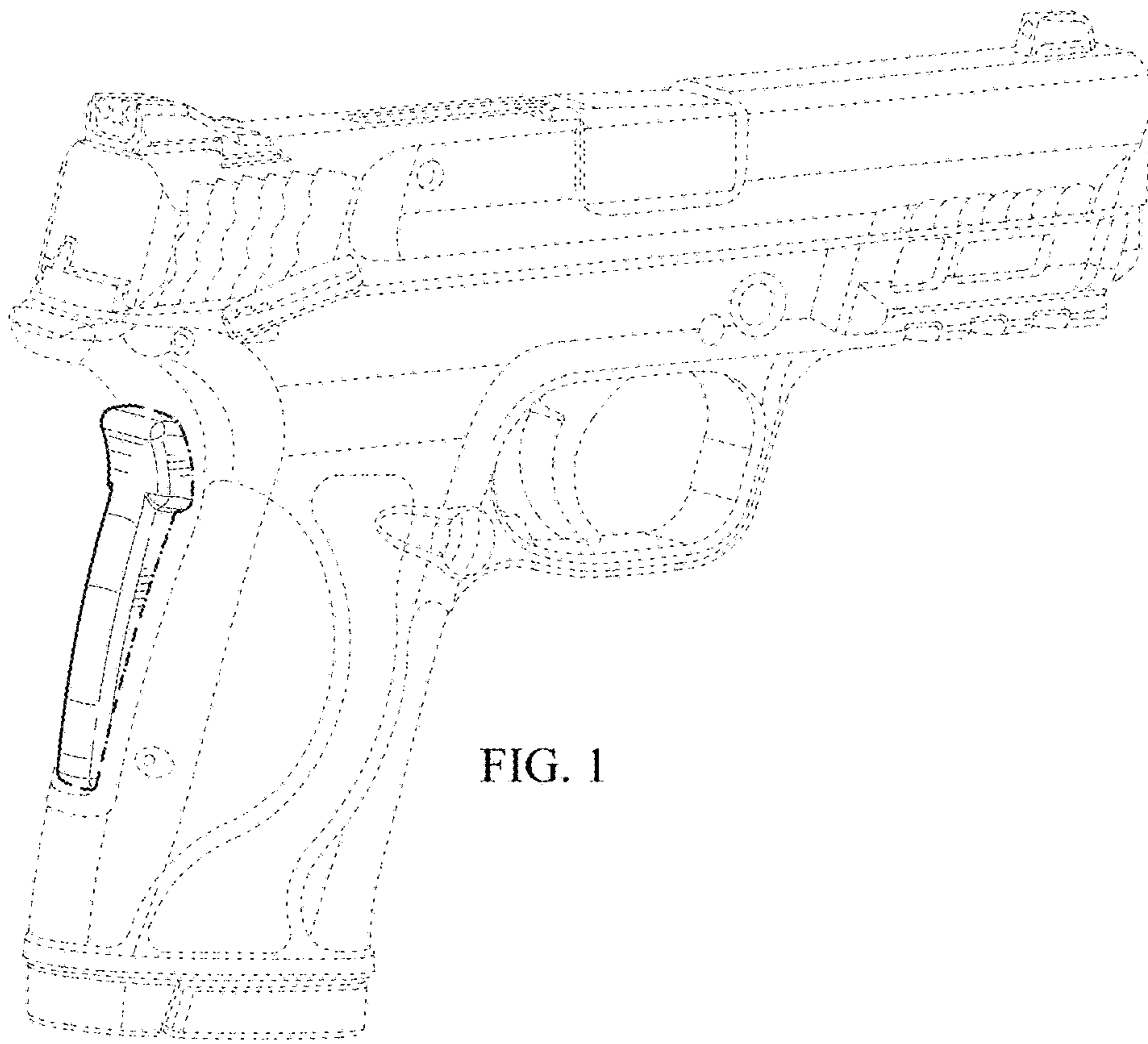


FIG. 1

FIG. 2

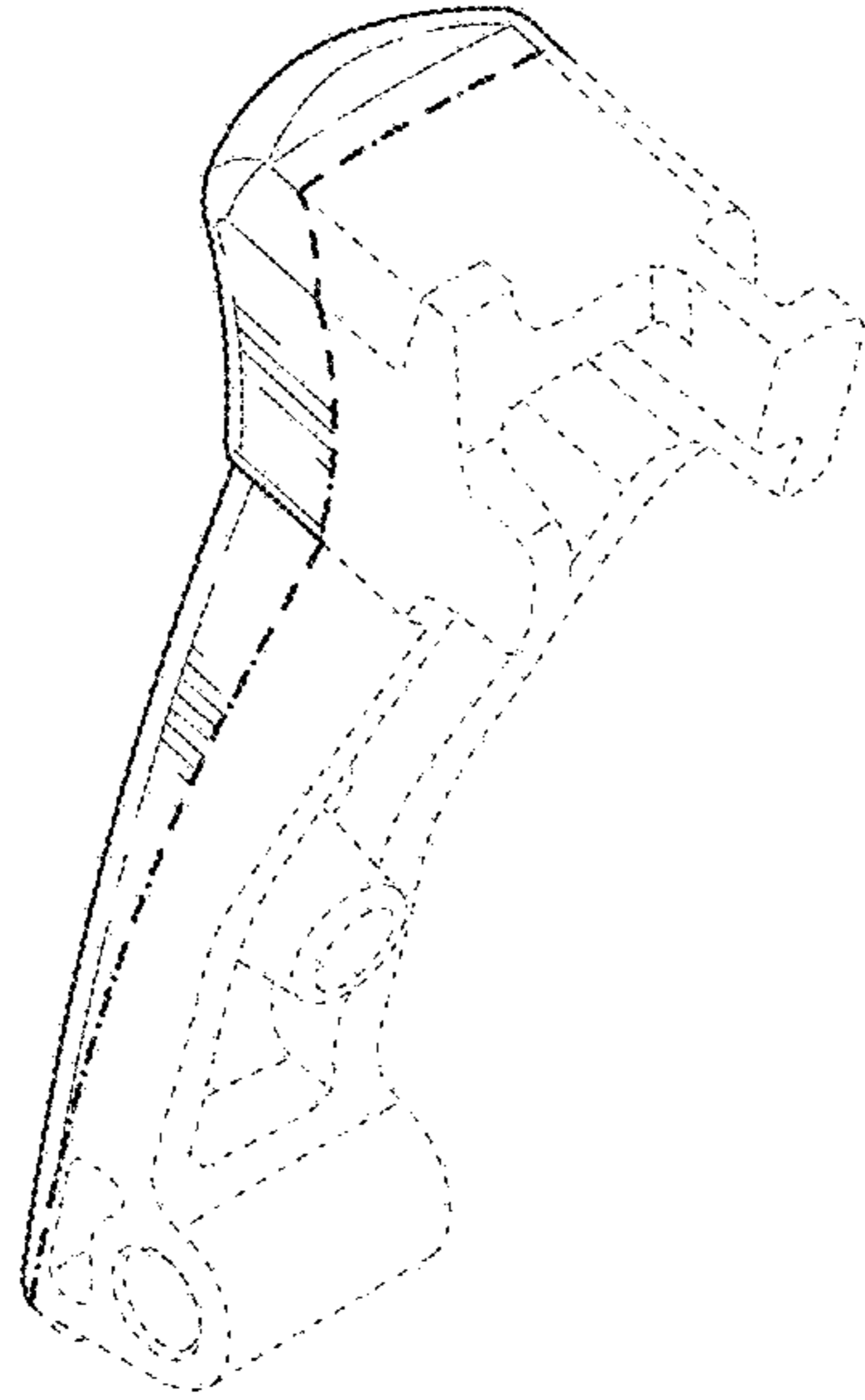


FIG. 3

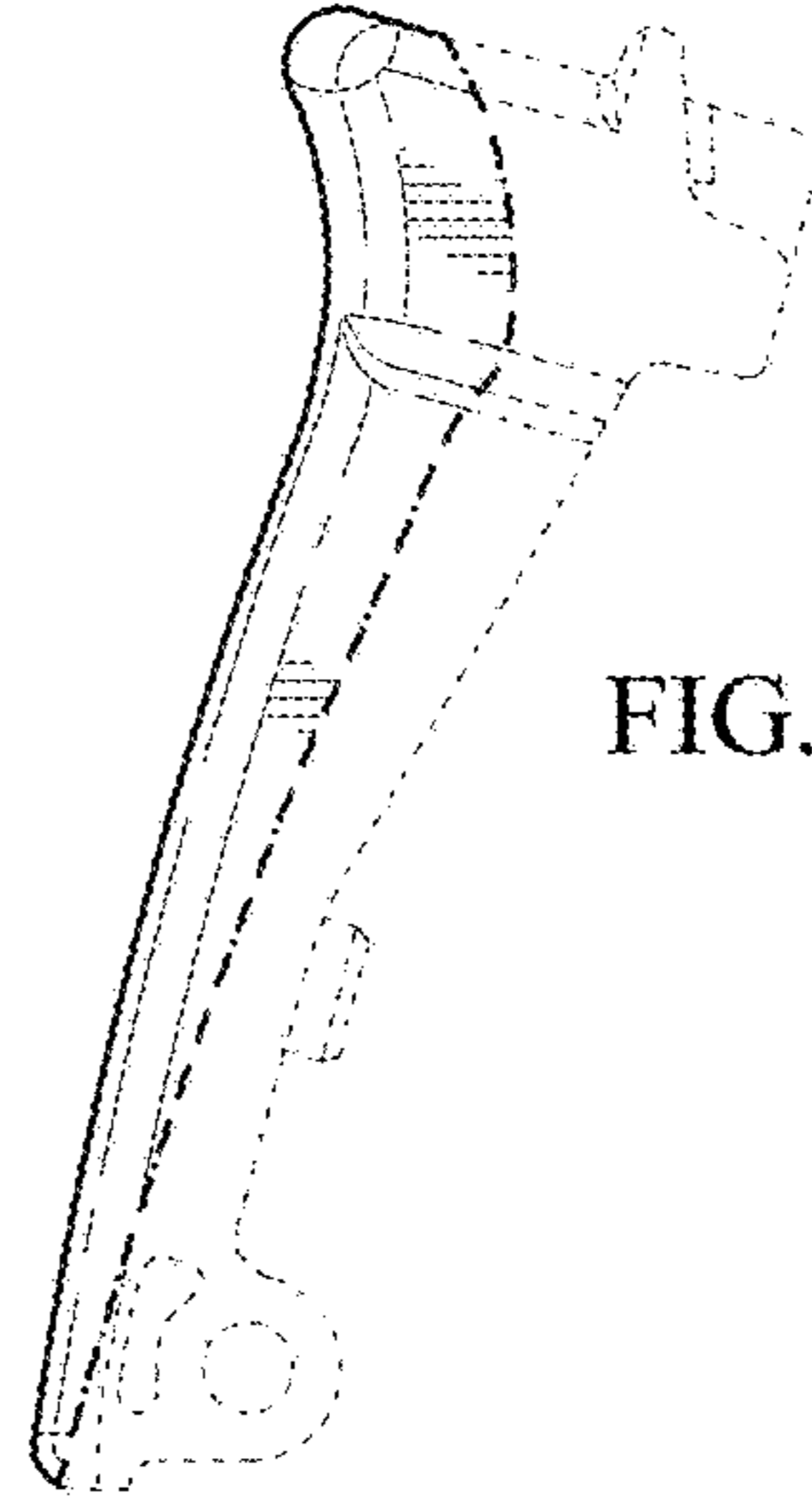


FIG. 4

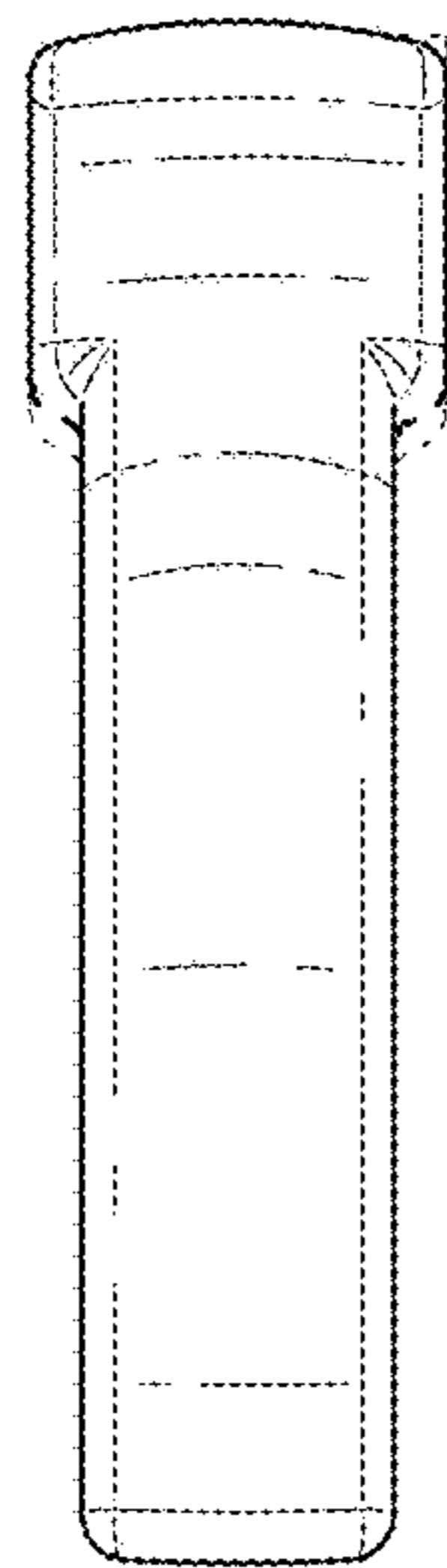
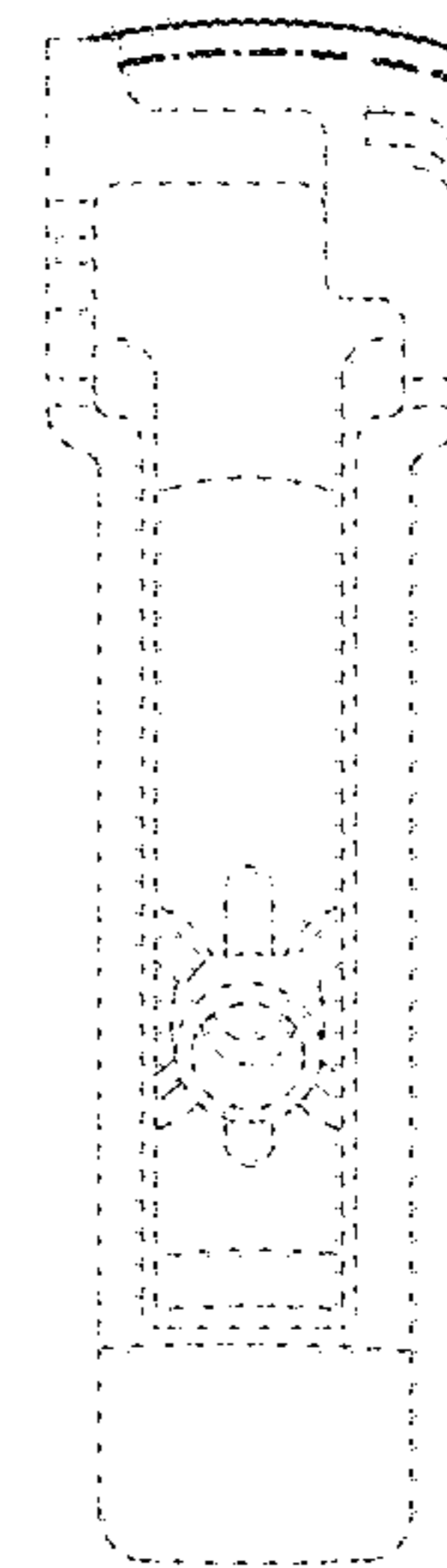


FIG. 5



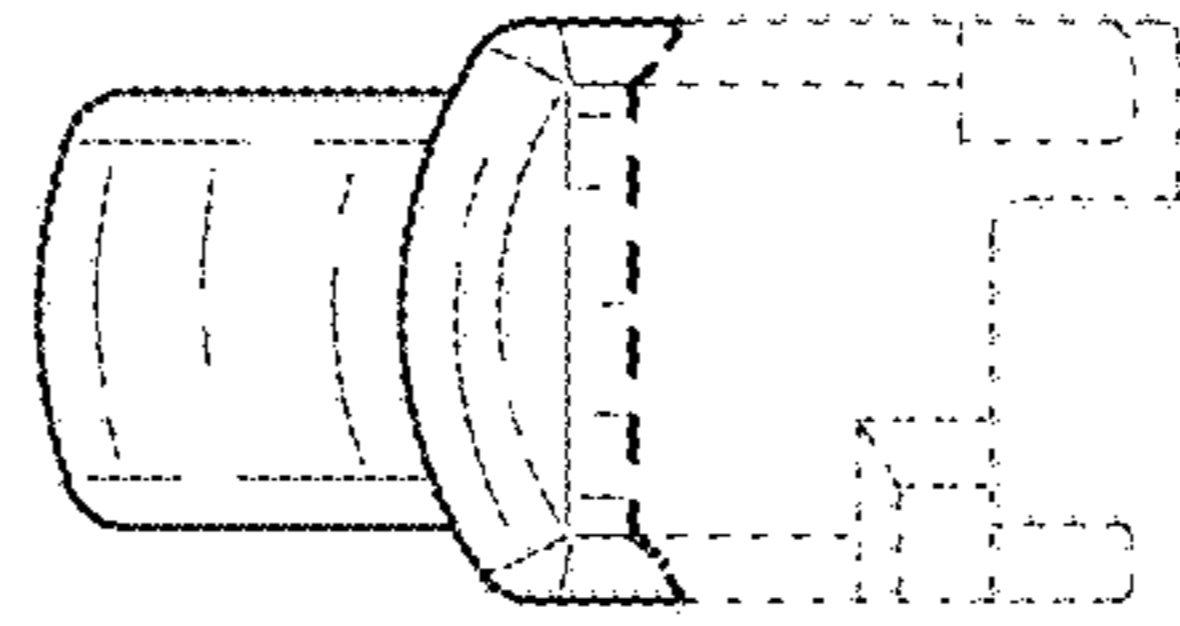


FIG. 6

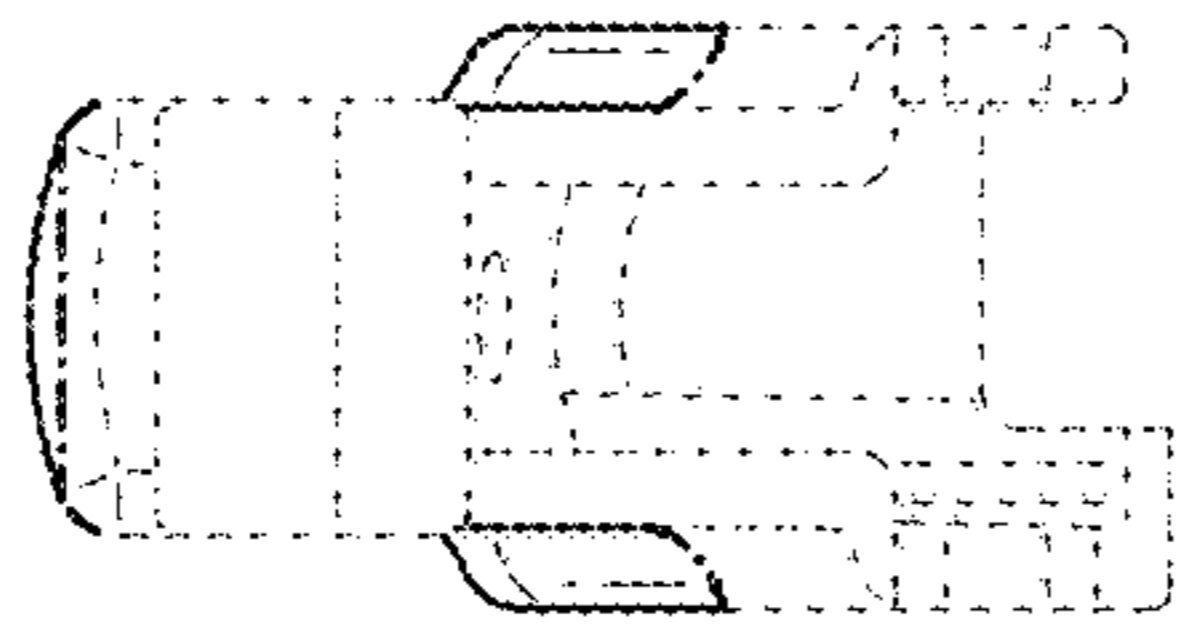


FIG. 7