



US00D867511S

(12) **United States Design Patent** (10) **Patent No.:** **US D867,511 S**  
**Brittingham et al.** (45) **Date of Patent:** **\*\* Nov. 19, 2019**

(54) **SUPPRESSOR TOOL**

(71) Applicant: **Q, LLC**, Portsmouth, NH (US)

(72) Inventors: **Kevin Brittingham**, Portsmouth, NH (US); **Ethan Lessard**, East Kingston, NH (US); **Brian McDonald**, Portsmouth, NH (US)

(73) Assignee: **Q, LLC**, Portsmouth, NH (US)

(\*\*) Term: **15 Years**

(21) Appl. No.: **29/603,015**

(22) Filed: **May 5, 2017**

(51) **LOC (12) Cl.** ..... **22-01**

(52) **U.S. Cl.**  
USPC ..... **D22/108**

(58) **Field of Classification Search**  
USPC ..... D22/108, 199  
CPC ..... F41A 21/487  
See application file for complete search history.

(56) **References Cited**

**U.S. PATENT DOCUMENTS**

D391,335 S *	2/1998	Bechtel	.....	D22/108
D403,393 S *	12/1998	Weast	.....	D22/110
D415,239 S *	10/1999	Fell	.....	D22/108
D657,840 S *	4/2012	Prieto	.....	D22/108
8,171,666 B2 *	5/2012	Karagias	.....	F41G 11/003 42/124
D675,698 S *	2/2013	Bietsch	.....	D22/108
D681,767 S *	5/2013	Li	.....	D22/108
D693,897 S *	11/2013	Javorsky	.....	D22/108
D709,979 S *	7/2014	Prieto	.....	D22/108
D813,339 S *	3/2018	Maroney	.....	D22/108
D815,184 S *	4/2018	Gu	.....	D16/242
D822,091 S *	7/2018	Zheng	.....	D16/242

D826,360 S *	8/2018	Cheng	.....	D22/108
D829,294 S *	9/2018	Cheng	.....	D22/108
2015/0198405 A1 *	7/2015	Keng	.....	F41A 35/00 42/108

(Continued)

**FOREIGN PATENT DOCUMENTS**

DE 102012012217 A1 \* 12/2013 ..... F41A 11/02

**OTHER PUBLICATIONS**

AAC Prodigy Disassembly Tool, posted at Silencer Shop, image copyright 2011, site visited Mar. 4, 2019. URL: <<https://www.silencershop.com/gear/tools/aac-prodigy-disassembly-tool.html>> (Year: 2011).\*

(Continued)

*Primary Examiner* — Kevin K Rudzinski

*Assistant Examiner* — Kathleen L Jones

(74) *Attorney, Agent, or Firm* — Fox Rothschild LLP

(57) **CLAIM**

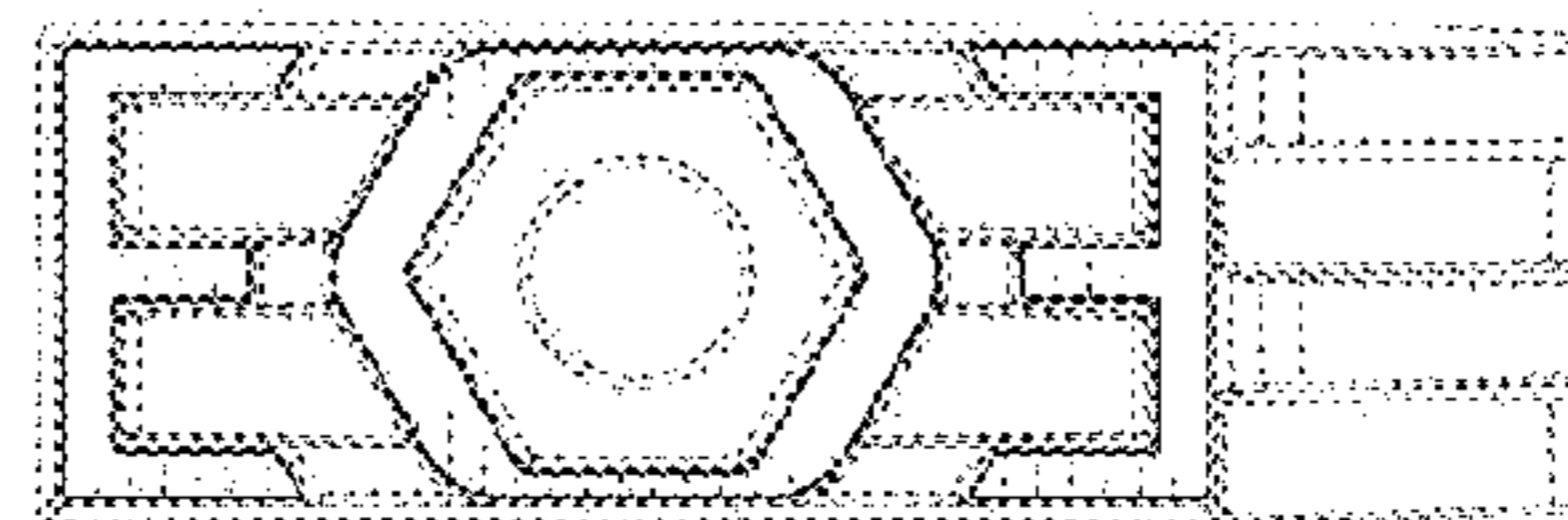
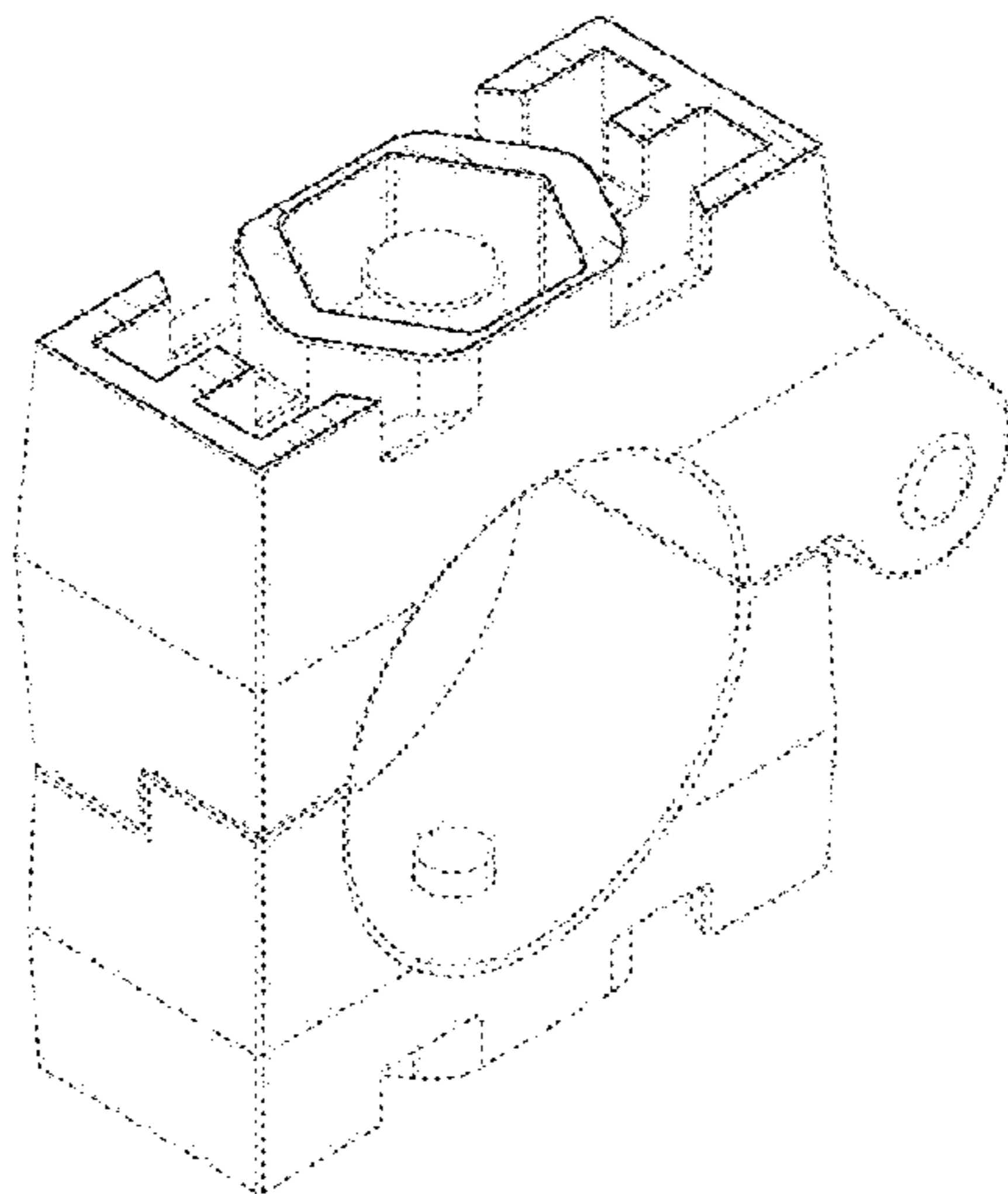
The ornamental design for a suppressor tool, as shown and described.

**DESCRIPTION**

FIG. 1 is an isometric view of a suppressor tool according to the present disclosure;  
FIG. 2 is a front view of the suppressor tool of FIG. 1;  
FIG. 3 is a rear view of the suppressor tool of FIG. 1;  
FIG. 4 is a right side view of the suppressor tool of FIG. 1;  
FIG. 5 is a left side view of the suppressor tool of FIG. 1;  
FIG. 6 is a top view of the suppressor tool of FIG. 1;  
FIG. 7 is a bottom view of the suppressor tool of FIG. 1; and,  
FIG. 8 is an isometric view of the suppressor tool of FIG. 1 in environmental use.

The broken lines in the figures showing portions of the suppressor tool and environmental structure in FIG. 8 form no part of the claimed design.

**1 Claim, 4 Drawing Sheets**



(56)

**References Cited**

U.S. PATENT DOCUMENTS

2015/0266168 A1\* 9/2015 Geissele ..... B25B 13/48  
29/525.11  
2015/0369555 A1\* 12/2015 Daniel ..... F41A 21/485  
42/75.02  
2017/0205178 A1\* 7/2017 Niswander ..... F41A 21/36  
2017/0268844 A1\* 9/2017 Smith ..... F41A 21/487  
2017/0284760 A1\* 10/2017 Maffett ..... F41A 21/484  
2018/0202742 A1\* 7/2018 Brittingham ..... F41A 21/34  
2019/0072351 A2\* 3/2019 Brittingham ..... F41A 21/34

OTHER PUBLICATIONS

Osprey Booster Disassembly Tool, posted at Silencer Co, posting date not available, site visited Mar. 4, 2019. URL: <<https://www.store.silencerco.com/products/replacement-osprey-booster-disassembly-tool?variant=221756542>>.\*

Suppressor Disassembly Tool, posted at ShopRuger, posting date Jan. 18, 2016. Site visited Mar. 4, 2019. URL: <<https://web.archive.org/web/20160118232701/http://shopruger.com/Suppressor-Disassembly-Tool/productinfo/90557/>> (Year: 2016).\*

\* cited by examiner

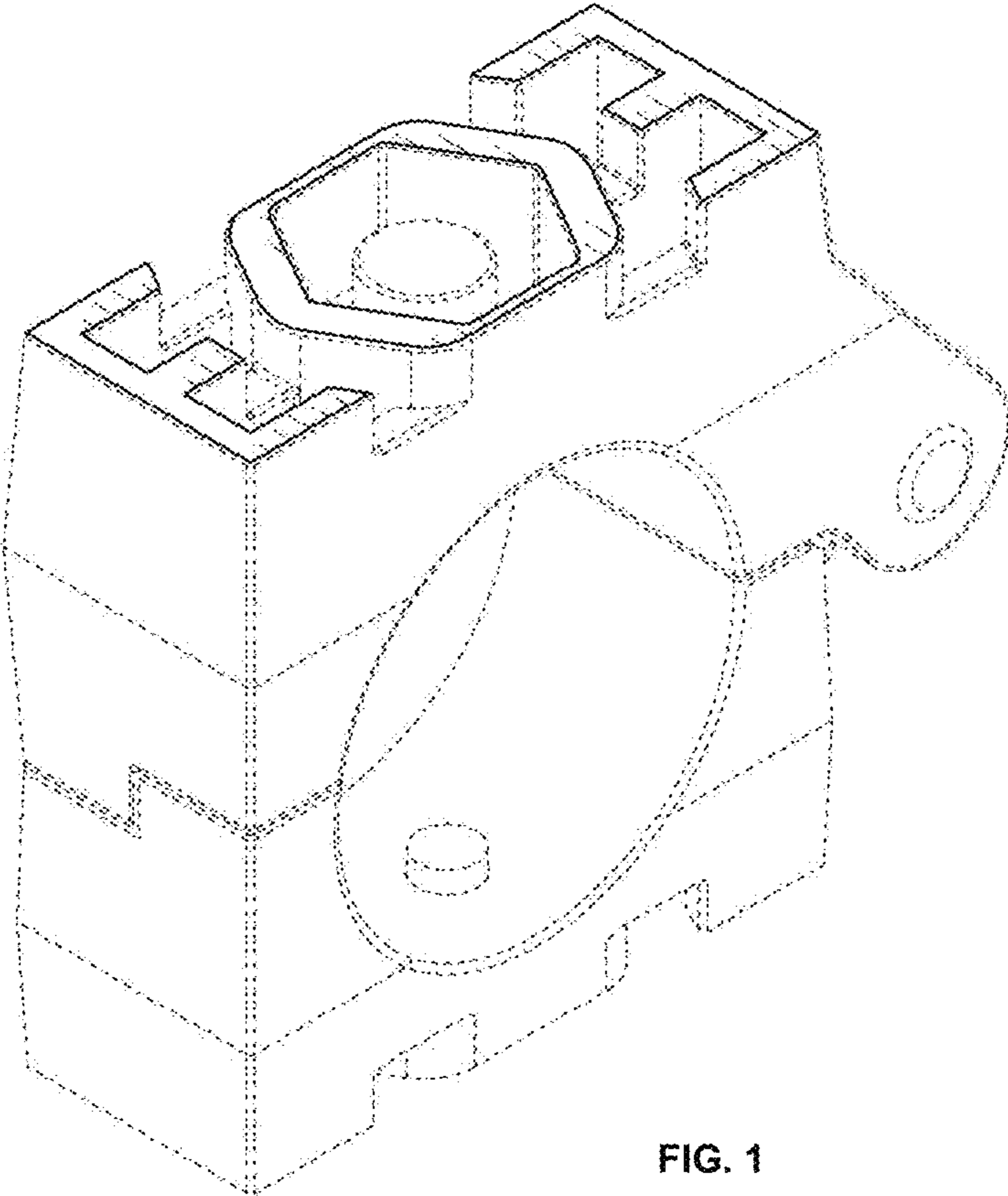


FIG. 1

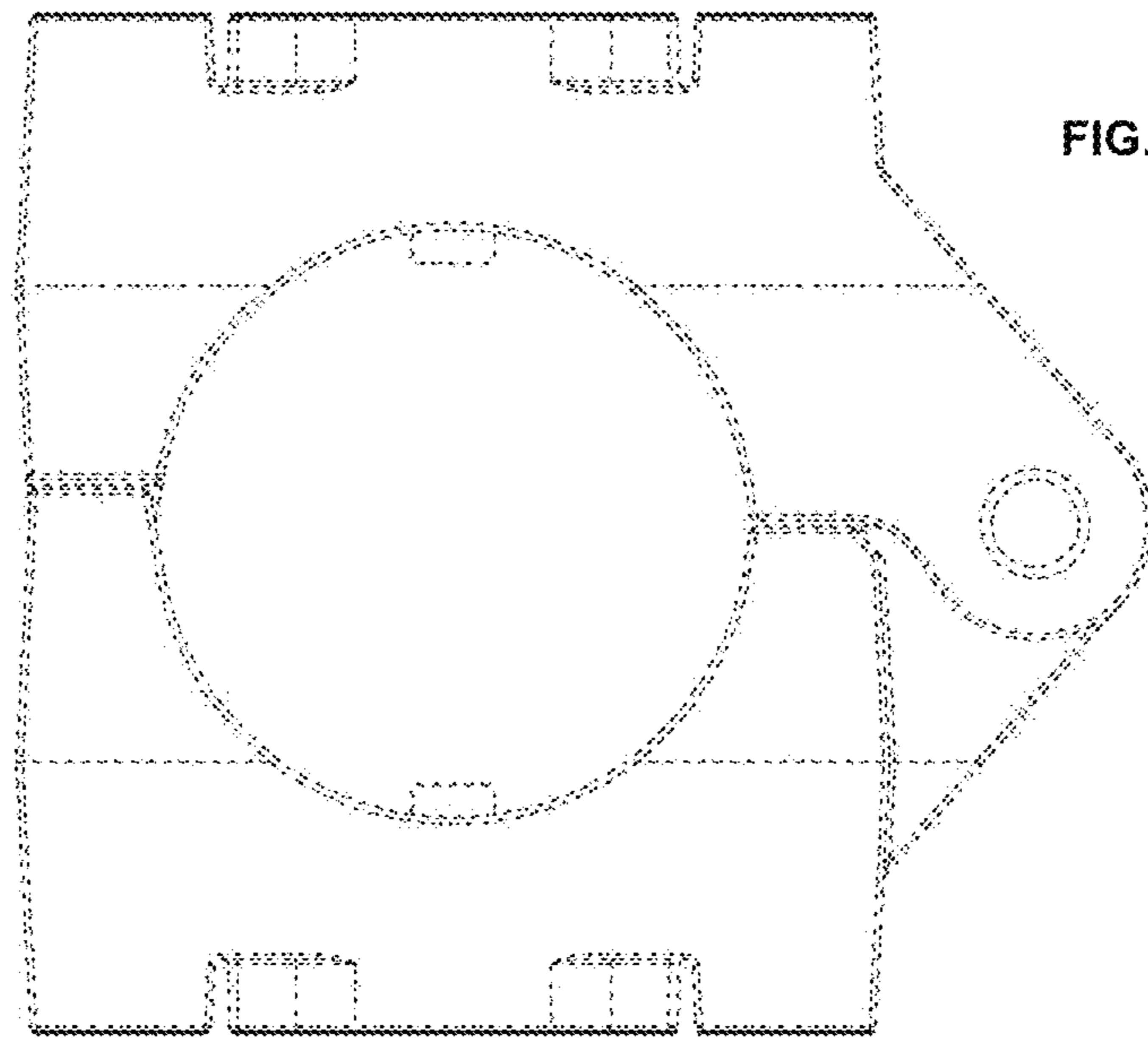


FIG. 2

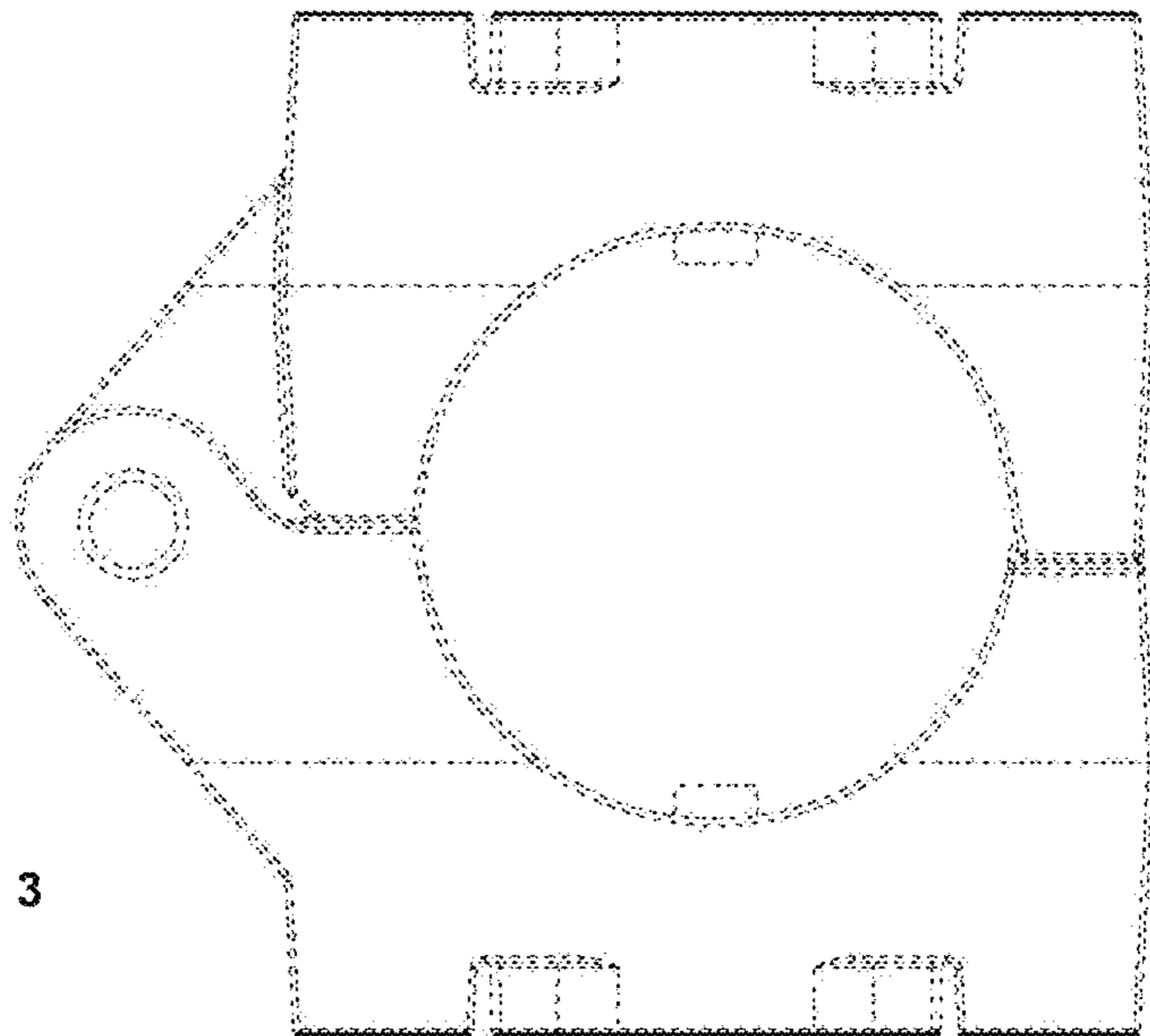


FIG. 3

FIG. 4

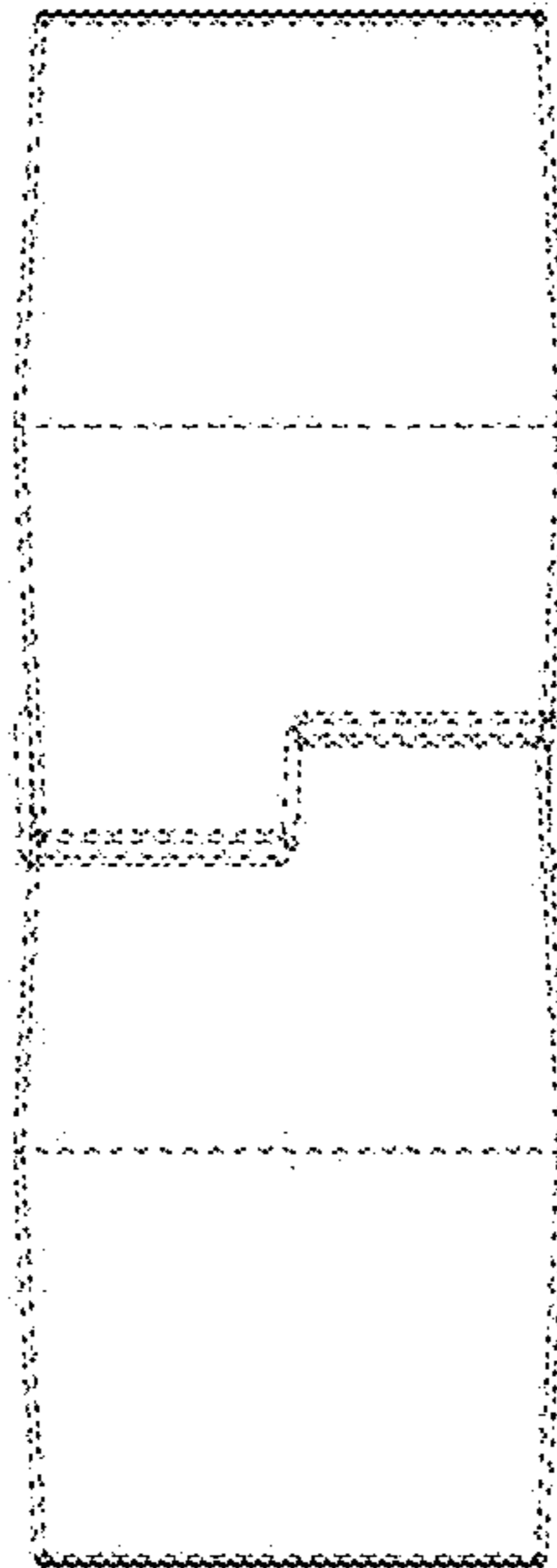


FIG. 5

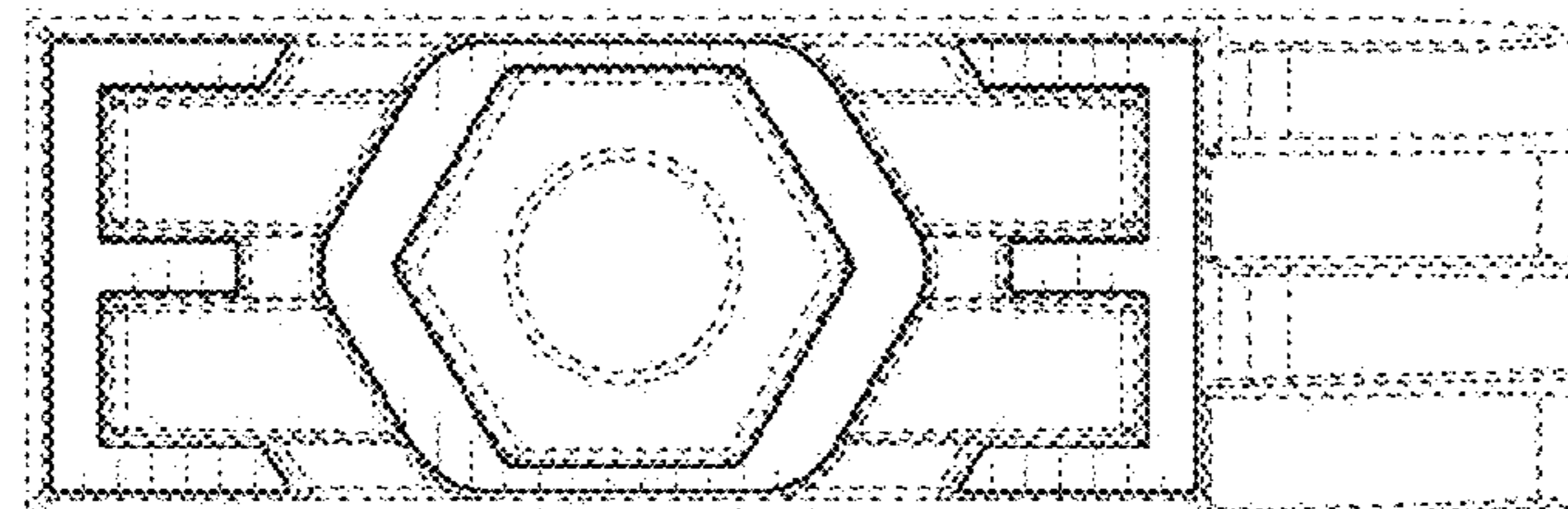
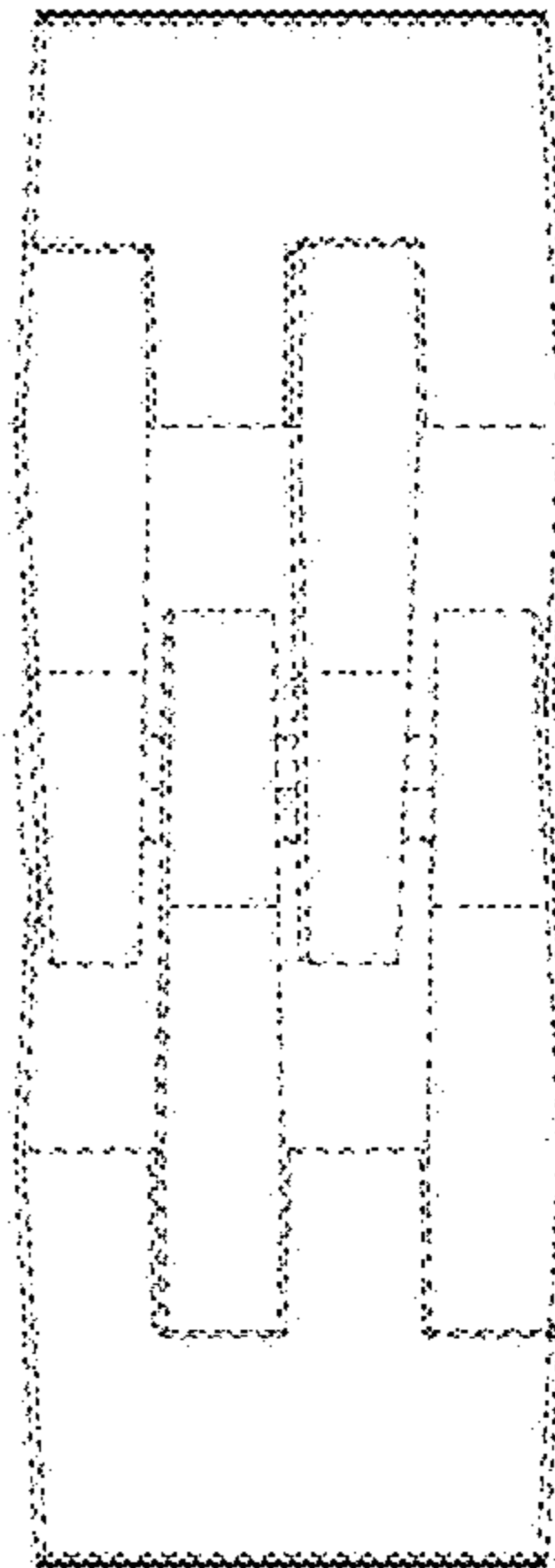


FIG. 6

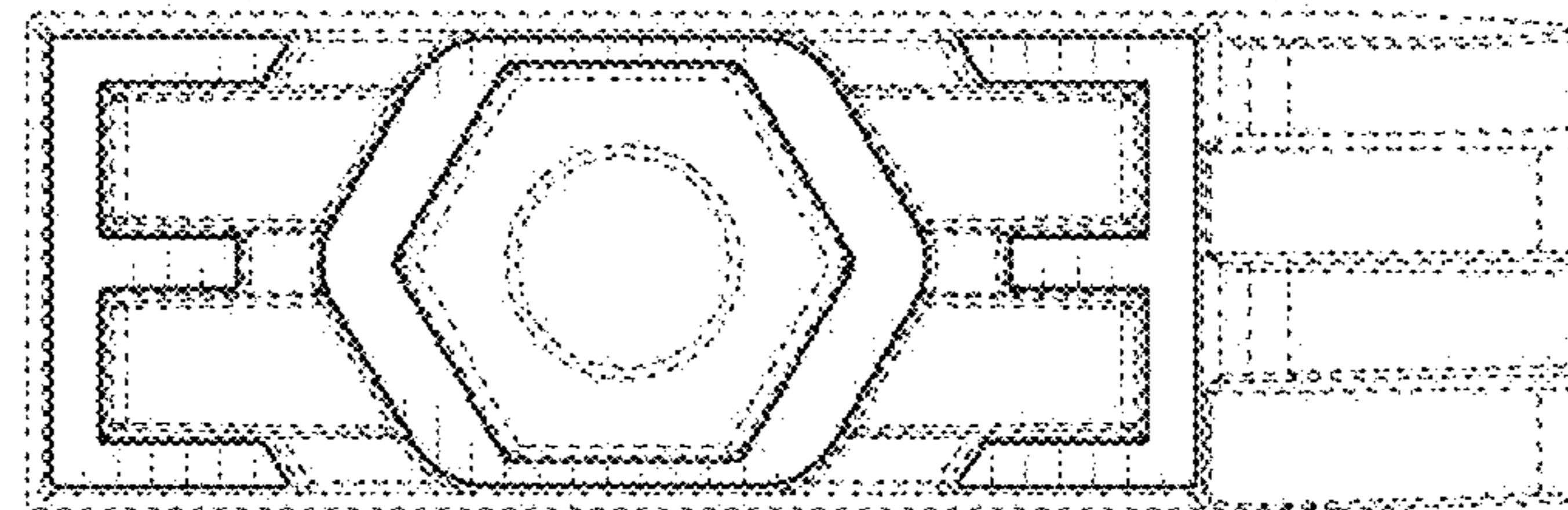


FIG. 7

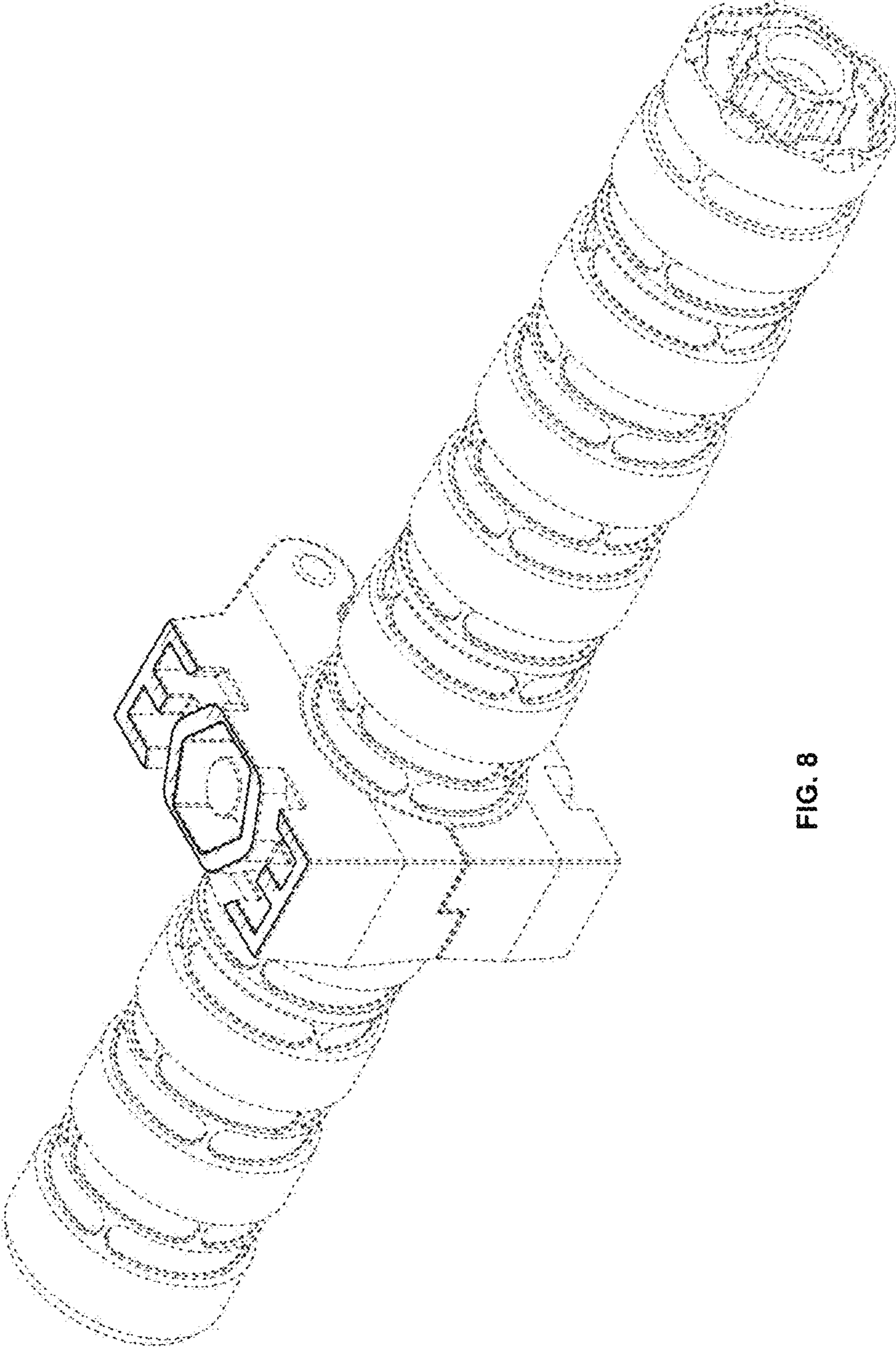


FIG. 8