

US00D867510S

(12) **United States Design Patent**
Boifava

(10) **Patent No.:** **US D867,510 S**

(45) **Date of Patent:** **** Nov. 19, 2019**

(54) **MERRY-GO-ROUND**

(71) Applicant: **ANTONIO ZAMPERLA S.p.A.**,
Altavilla Vicentina (IT)

(72) Inventor: **Mario Boifava**, Vicenza (IT)

(73) Assignee: **ANTONIO ZAMPERLA S.p.A.**,
Altavilla Vicentina (IT)

(**) Term: **15 Years**

(21) Appl. No.: **29/647,041**

(22) Filed: **May 9, 2018**

(30) **Foreign Application Priority Data**

Nov. 9, 2017 (EM) 004501070

(51) **LOC (12) Cl.** **21-03**

(52) **U.S. Cl.**
USPC **D21/830**

(58) **Field of Classification Search**
USPC D21/811, 814, 828-833
CPC A63G 21/00-22; A63G 27/00; A63G 1/00;
A63G 1/24-38; A63G 3/00; A63G 1/12;
A63G 1/08; A63G 9/00-08
See application file for complete search history.

(56) **References Cited**

U.S. PATENT DOCUMENTS

1,987,004 A * 1/1935 Eyerly A63G 27/00
472/44
2,294,166 A * 8/1942 Eyerly A63G 1/30
472/1

D361,817 S * 8/1995 Boifava D21/833
D366,923 S * 2/1996 Boifava D21/833
8,721,463 B2 * 5/2014 Zambelli A63G 1/24
472/31
8,864,594 B2 * 10/2014 Hasenzahl A63G 1/10
434/55
8,979,660 B2 * 3/2015 Goldner A63G 1/12
472/1
D731,019 S * 6/2015 Fabbri D21/830
D731,020 S * 6/2015 Fabbri D21/830
D731,021 S * 6/2015 Fabbri D21/830
D733,826 S * 7/2015 Fabbri D21/830
D769,999 S * 10/2016 Serventi D21/830
D770,000 S * 10/2016 Serventi D21/830
D788,248 S * 5/2017 Fabbri D21/830

* cited by examiner

Primary Examiner — Mitchell I. Siegel

(74) *Attorney, Agent, or Firm* — Lucas & Mercanti, LLP

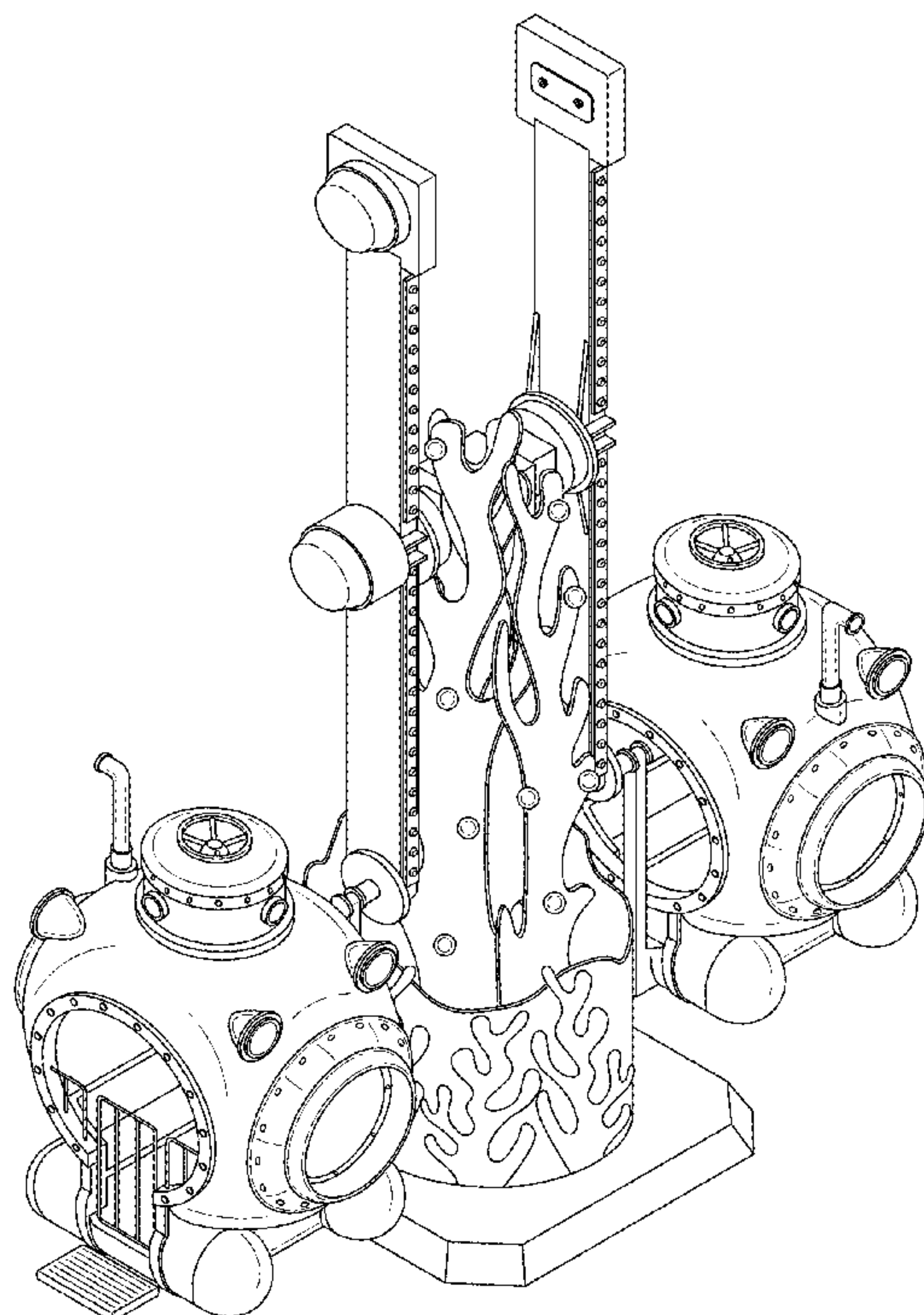
(57) **CLAIM**

The ornamental design for a merry-go-round, as shown and described.

DESCRIPTION

FIG. 1 is a perspective view of the merry-go-round according to the design;
FIG. 2 is a back view thereof;
FIG. 3 is a front view thereof;
FIG. 4 is a side view thereof; the opposite side being the same; and,
FIG. 5 is a top view thereof.

1 Claim, 5 Drawing Sheets



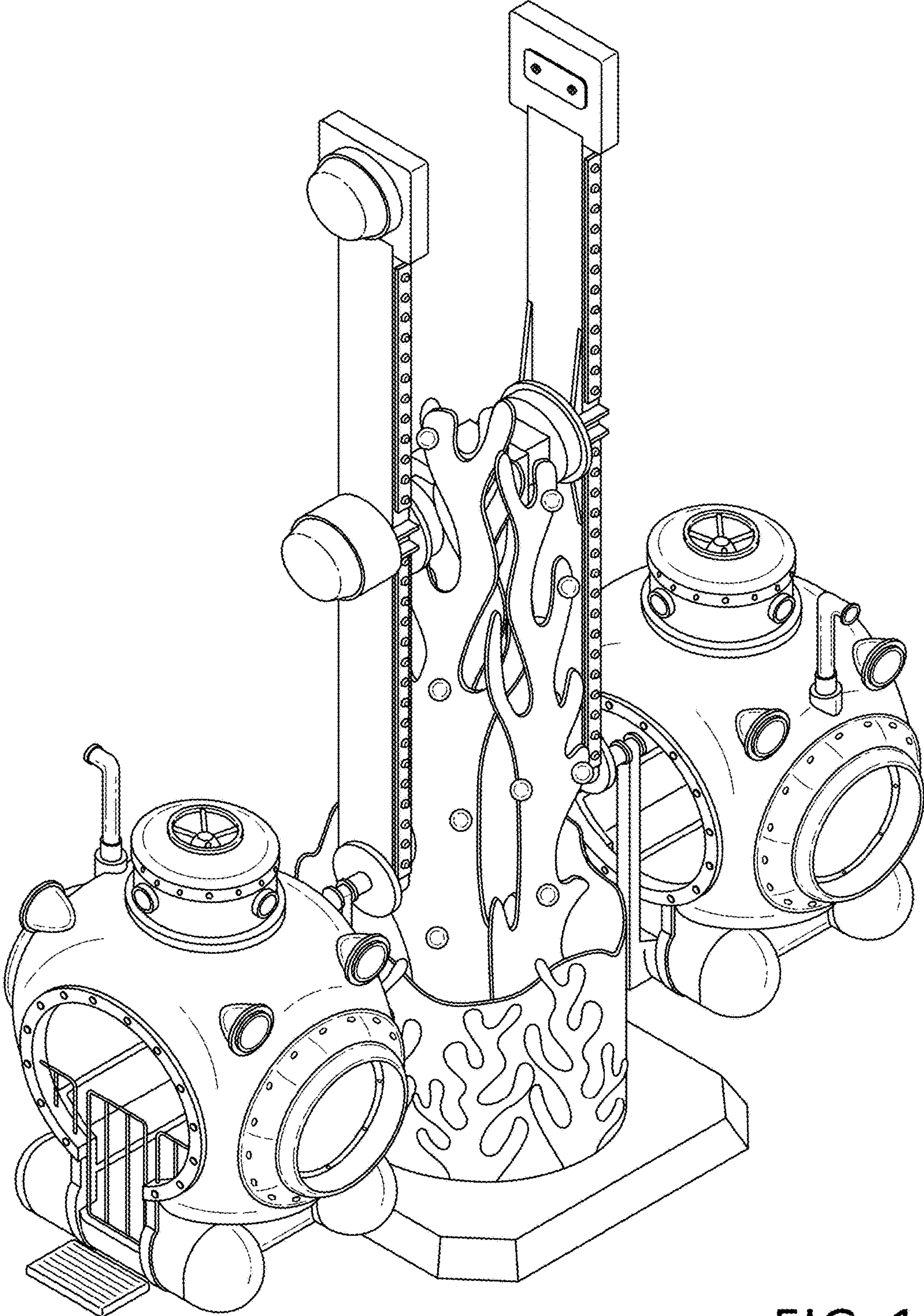


FIG. 1

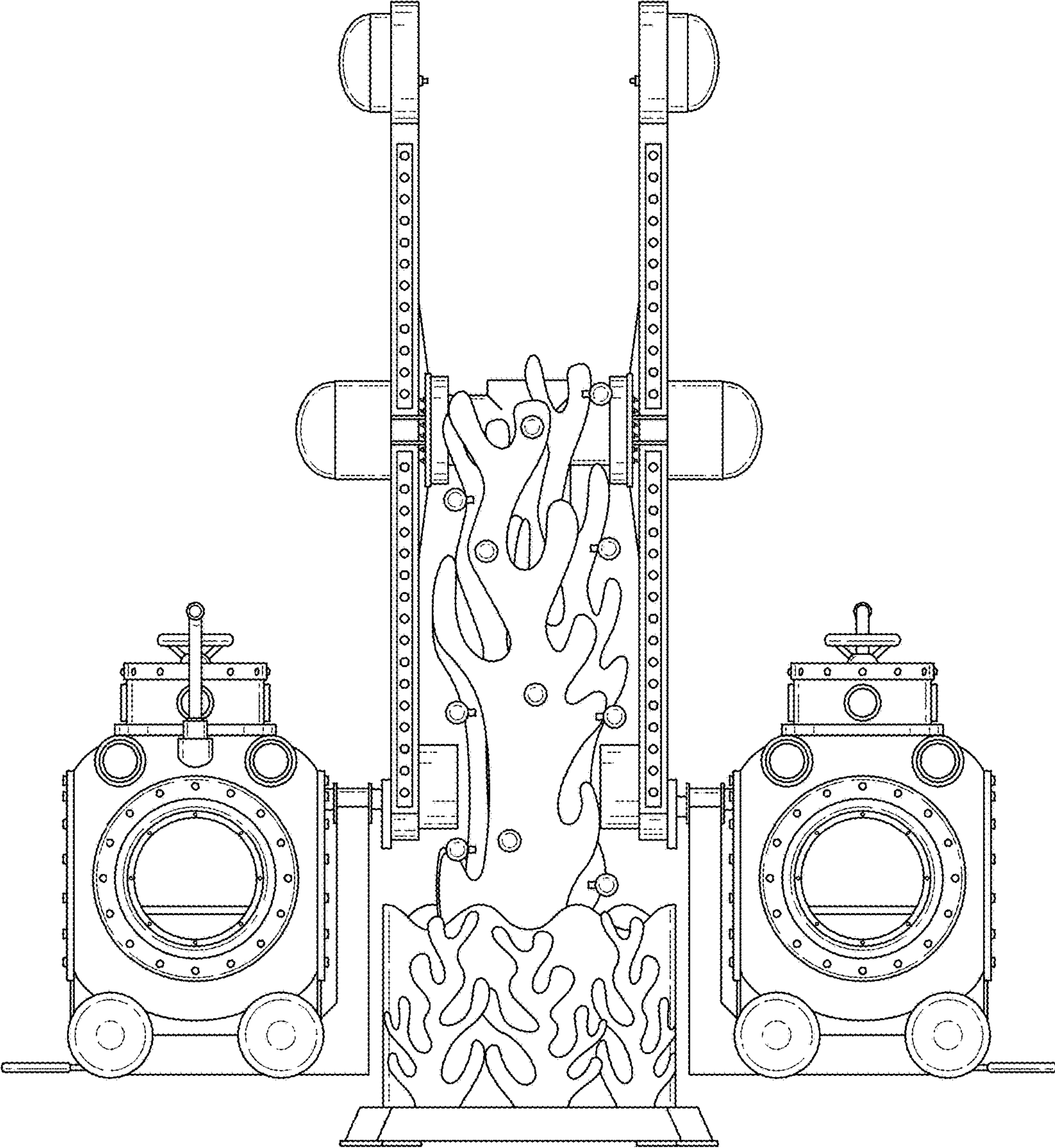


FIG. 2

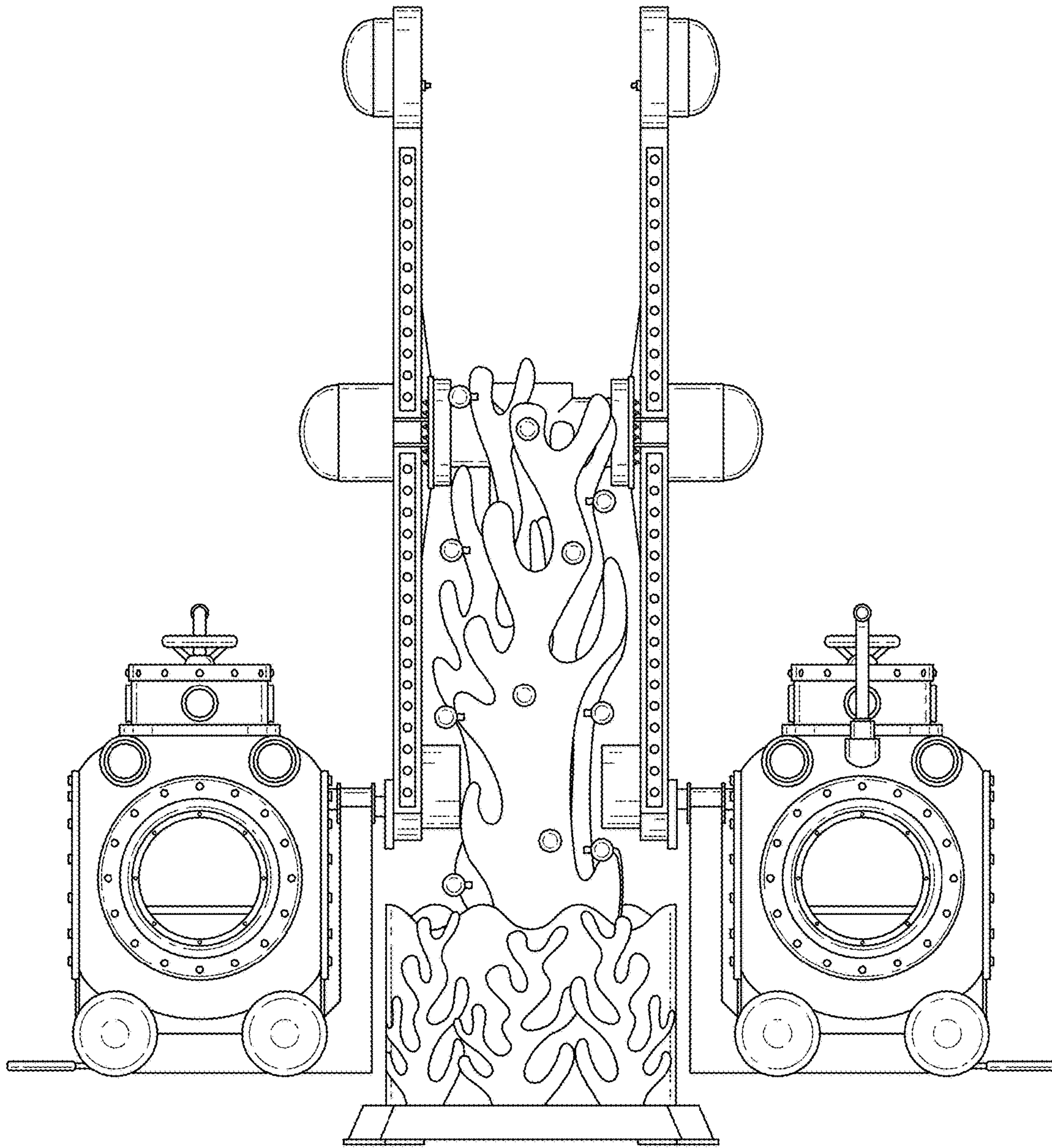


FIG. 3

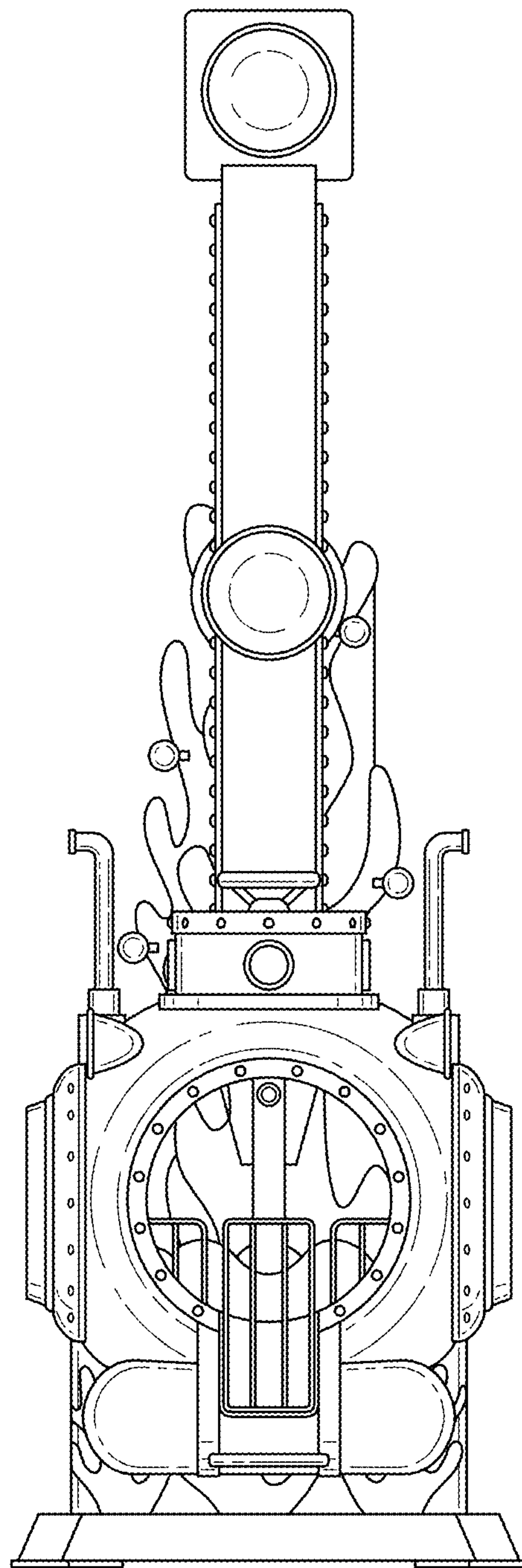


FIG. 4

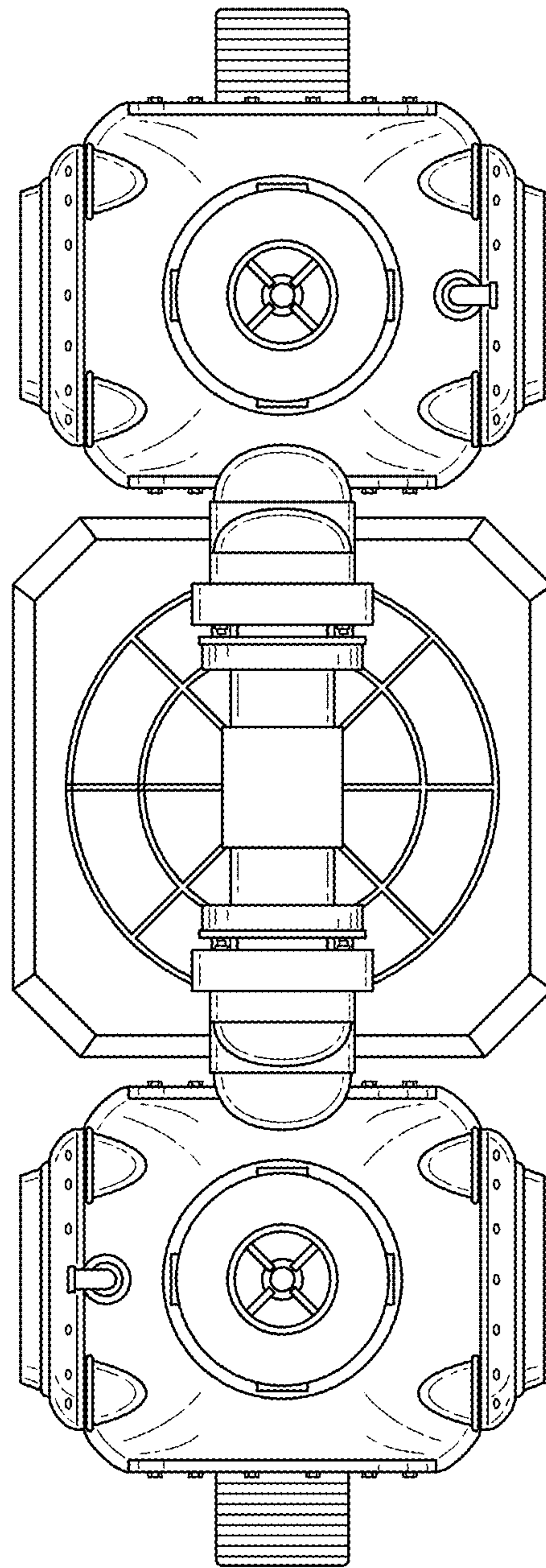


FIG. 5