



US00D867509S

(12) **United States Design Patent**  
**Peterson et al.**

(10) **Patent No.:** **US D867,509 S**

(45) **Date of Patent:** **\*\* Nov. 19, 2019**

- (54) **WATER SLIDE**
- (71) Applicant: **SDS Asia Limited, BVI #1748971,**  
Hong Kong (CN)
- (72) Inventors: **Leroy L. Peterson,** Omaha, NE (US);  
**Jason Koranda,** Omaha, NE (US)
- (73) Assignee: **SDS Asia Limited, BVI # 1748971,**  
Central (HK)
- (\*\*) Term: **15 Years**
- (21) Appl. No.: **29/639,324**
- (22) Filed: **Mar. 6, 2018**
- (51) **LOC (12) Cl.** ..... **21-03**
- (52) **U.S. Cl.**  
USPC ..... **D21/819**
- (58) **Field of Classification Search**  
USPC ..... D21/818-822  
CPC ..... A63G 21/00-21/22  
See application file for complete search history.

- (56) **References Cited**  
U.S. PATENT DOCUMENTS
- 2,982,547 A \* 5/1961 Carrier ..... A63G 31/007  
472/117
- 4,242,829 A \* 1/1981 Arnstrom ..... A63H 23/16  
403/300
- D260,276 S \* 8/1981 Gehlbach ..... D21/797
- 4,299,171 A \* 11/1981 Larson ..... A63G 3/02  
104/70
- D266,937 S \* 11/1982 Dahlgren ..... D21/565
- 5,154,671 A \* 10/1992 Smollar ..... A63G 21/18  
472/117
- 5,551,922 A \* 9/1996 Katz ..... A63C 19/00  
4/494
- D382,619 S \* 8/1997 Peterson ..... D21/818

- 6,062,983 A \* 5/2000 Butsook ..... A63G 21/18  
4/488
- 6,312,341 B1 \* 11/2001 Healy ..... A63G 21/18  
472/116
- D749,180 S \* 2/2016 Goldreyer ..... D21/819
- 9,446,323 B2 9/2016 Goldreyer
- 9,511,298 B2 \* 12/2016 Sgromo ..... A63G 31/12
- D813,337 S \* 3/2018 Hunter ..... D21/819
- D838,331 S \* 1/2019 Ozsoz ..... D21/819

\* cited by examiner

*Primary Examiner* — Mitchell I. Siegel

(74) *Attorney, Agent, or Firm* — Suiter Swantz pc llo

(57) **CLAIM**

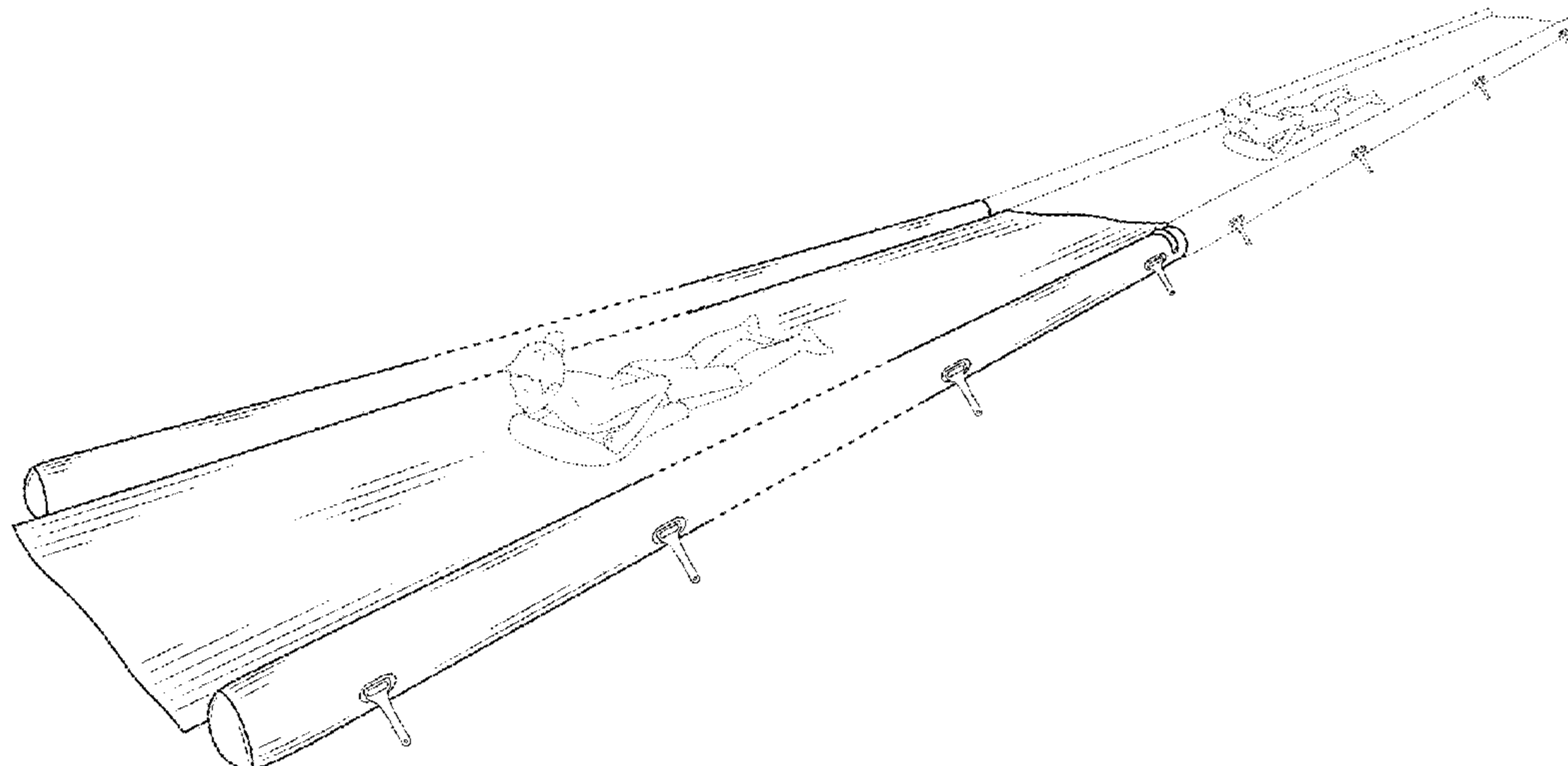
The ornamental design for a water slide, as shown and described.

**DESCRIPTION**

FIG. 1 is a perspective view showing our new design;  
 FIG. 2 is a top plan view thereof;  
 FIG. 3 is a front elevation view thereof;  
 FIG. 4 is a left side elevation view thereof;  
 FIG. 5 is a rear elevation view thereof;  
 FIG. 6 is a right side elevation view thereof;  
 FIG. 7 is a bottom plan view thereof;  
 FIG. 8 is a perspective view thereof;  
 FIG. 9 is a partial perspective view thereof;  
 FIG. 10 is a partial perspective view thereof;  
 FIG. 11 is a partial perspective view thereof; and,  
 FIG. 12 is a partial perspective view thereof.

The middle portion of the water slide shown in broken lines indicate indeterminate length and forms no part of the claimed design. The broken line showing of the connection system on the ends of the pontoons, the air valves on the water slide and the attached water slide are included for the purpose of illustrating unclaimed subject matter and forms no part of the claimed design.

**1 Claim, 12 Drawing Sheets**



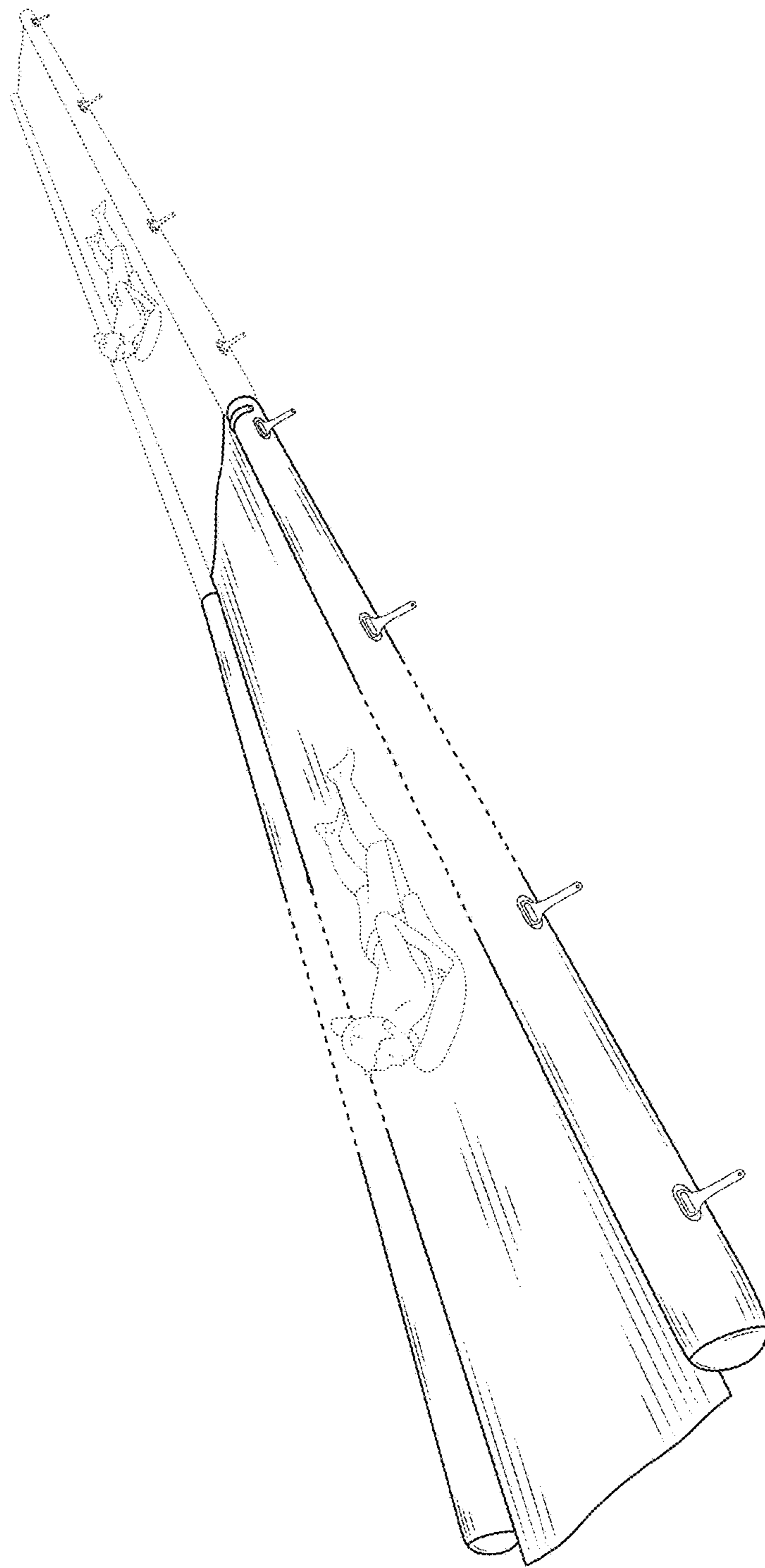


FIG.1

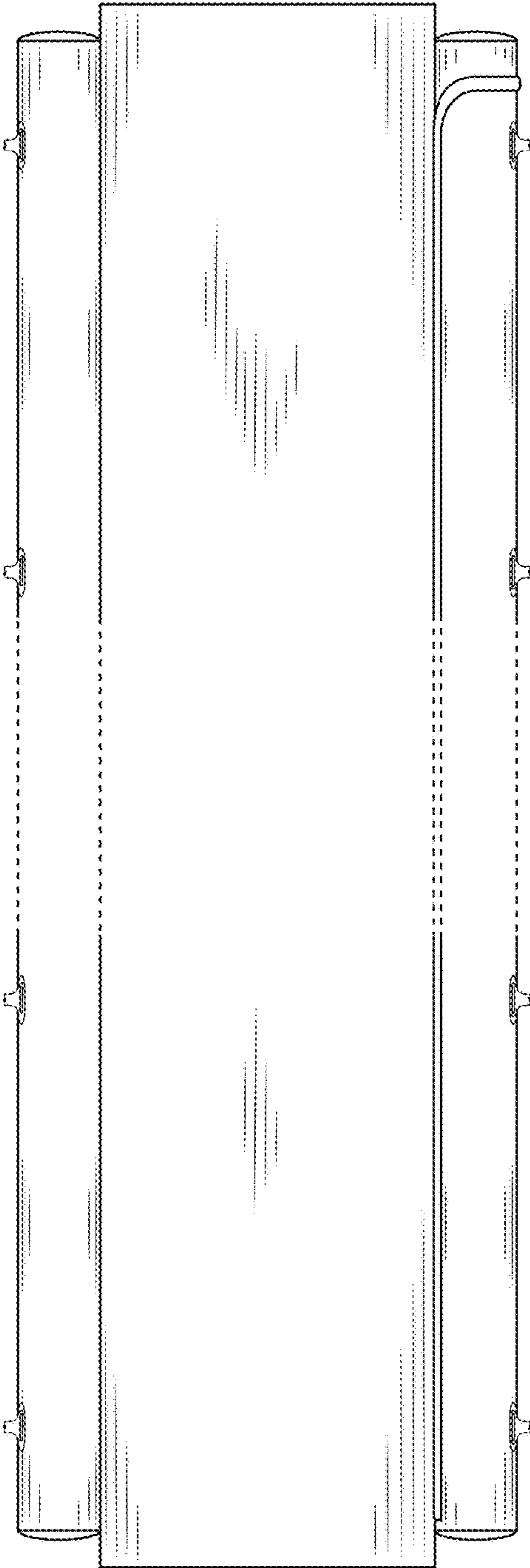


FIG.2

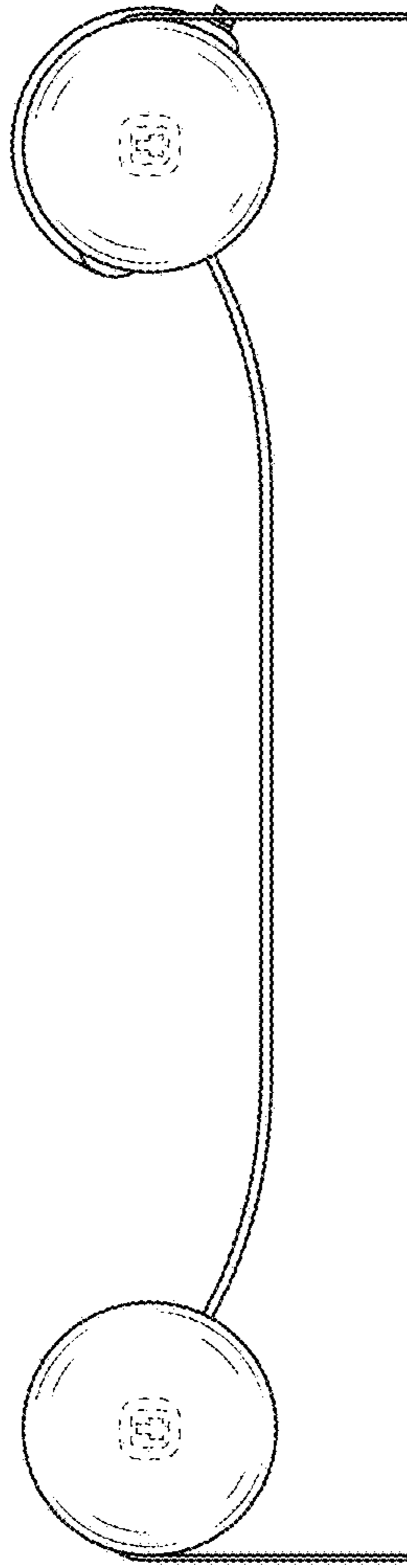


FIG. 3

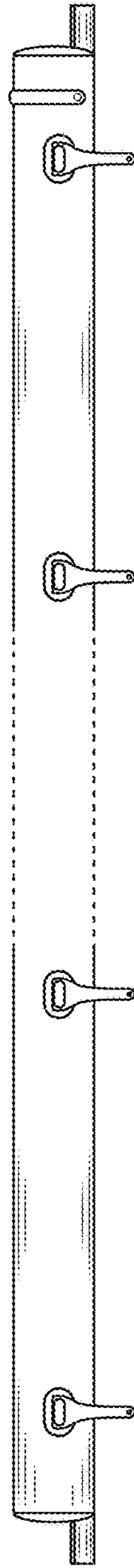


FIG.4

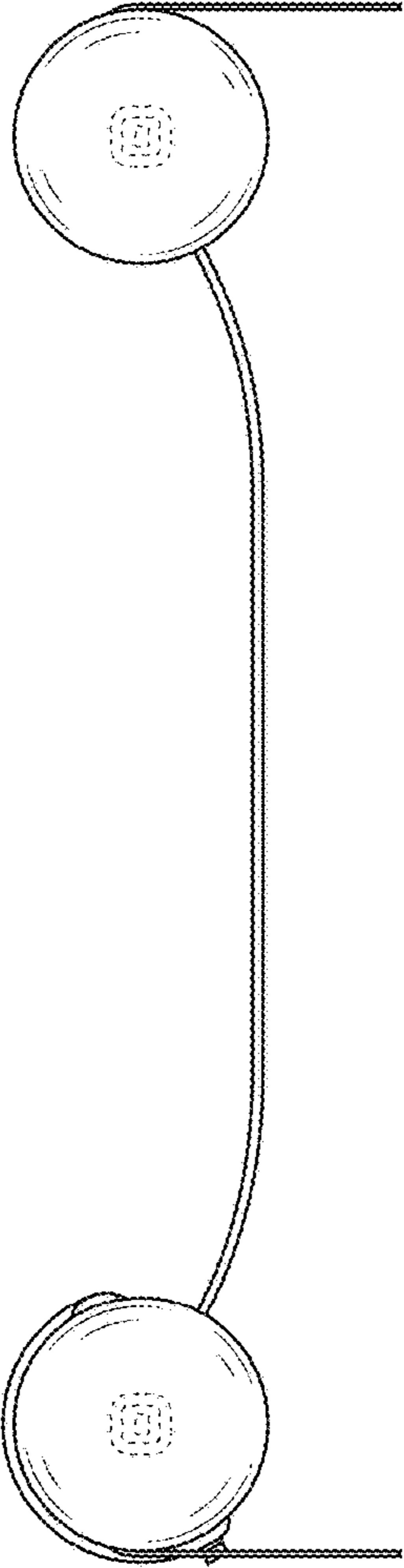


FIG.5

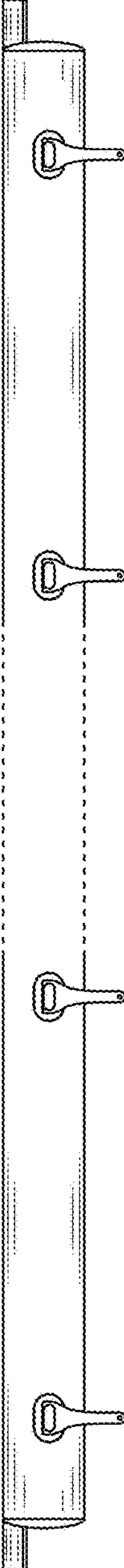


FIG.6

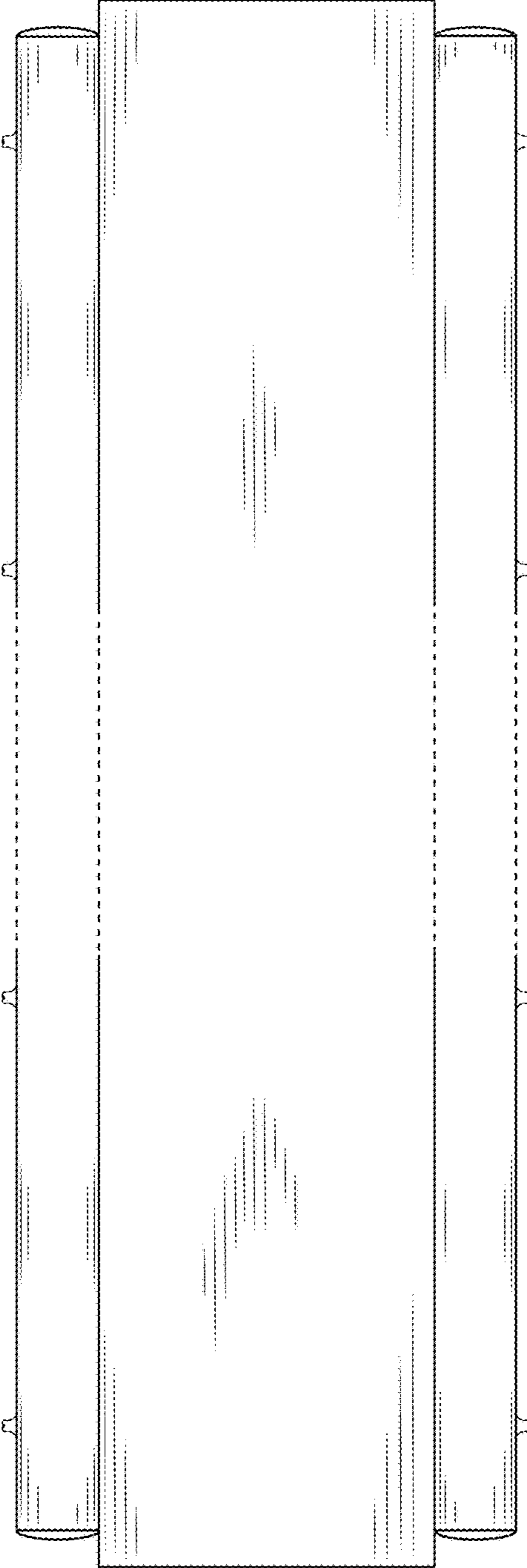


FIG.7



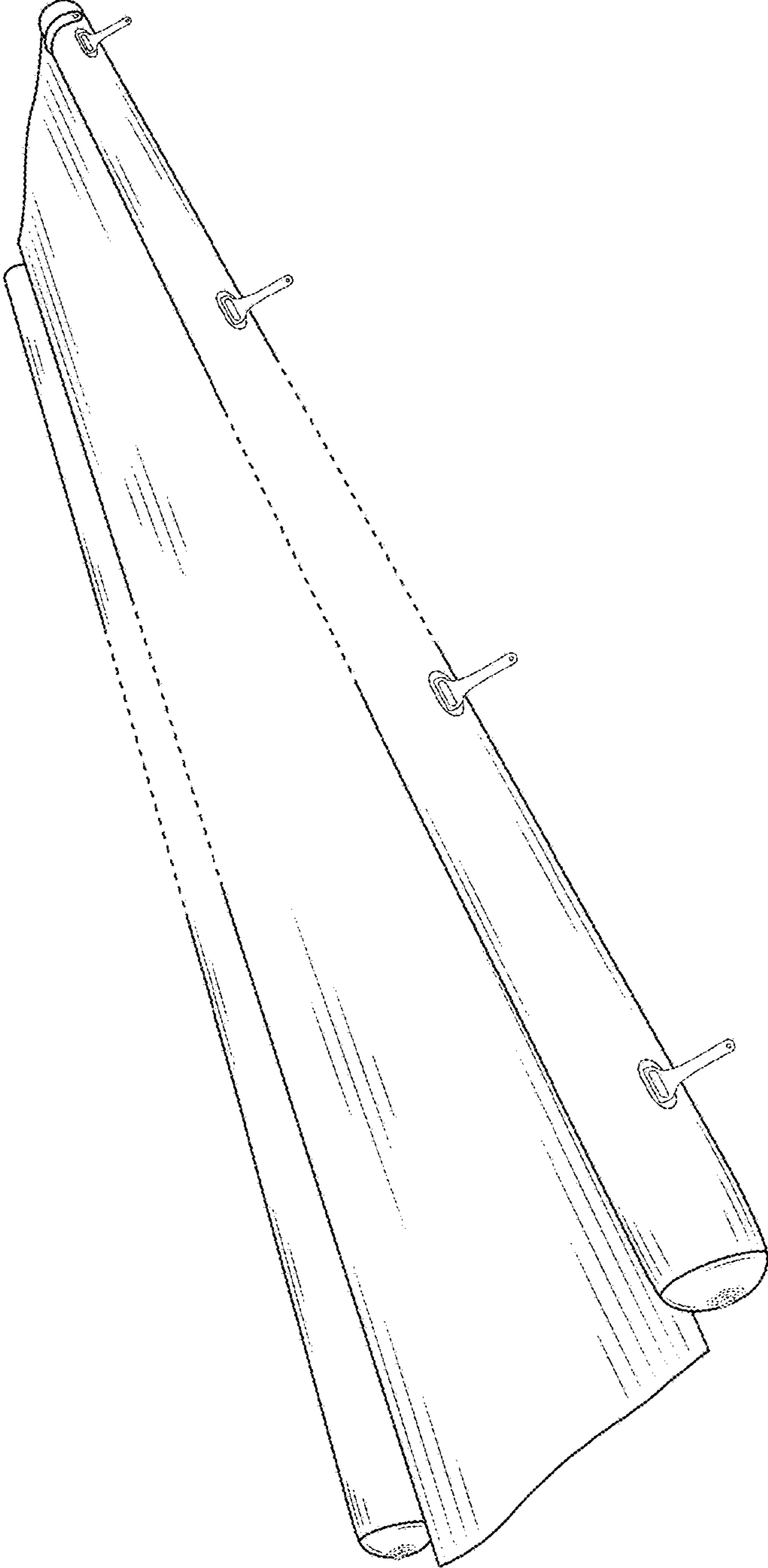


FIG.8

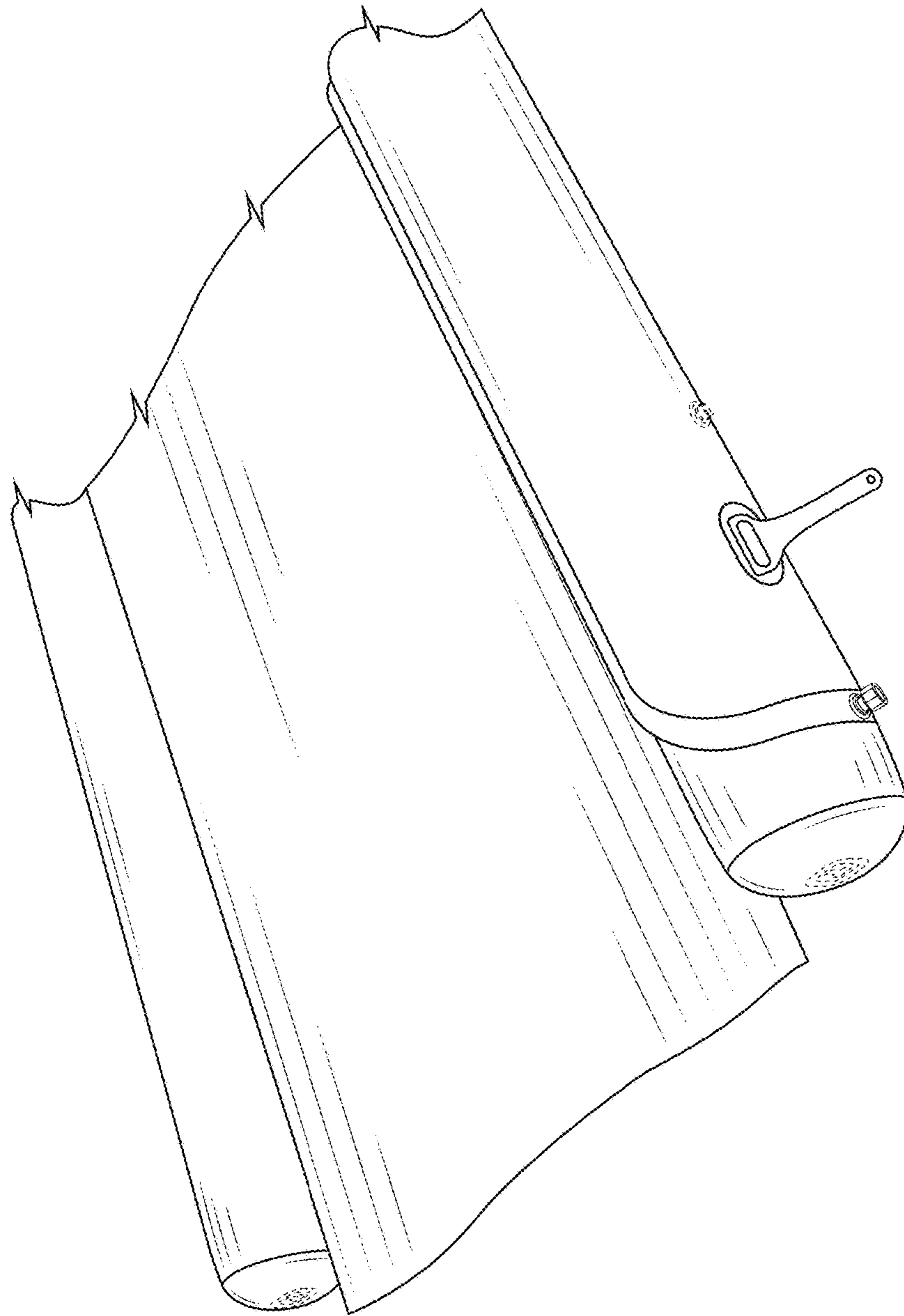


FIG. 9

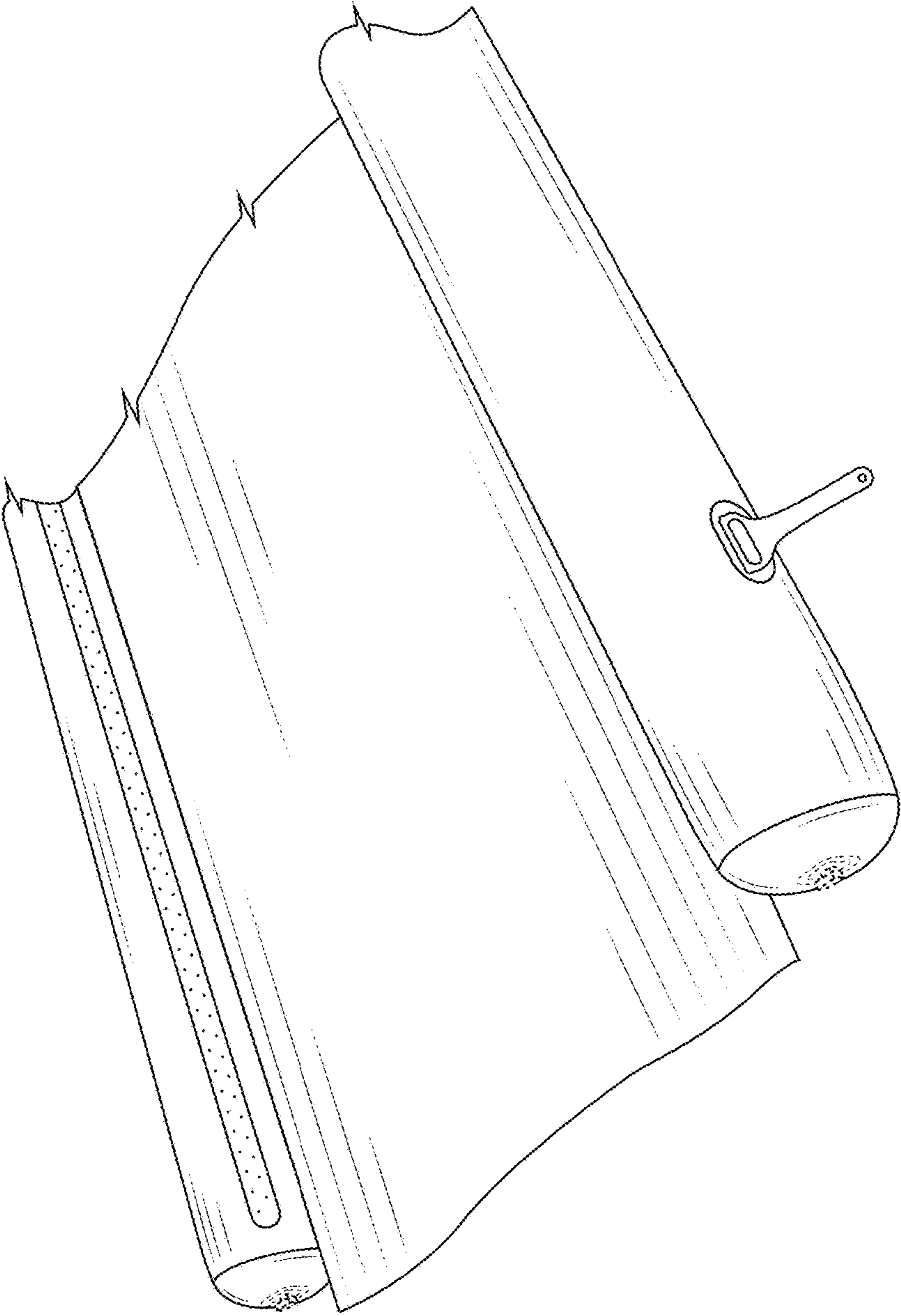


FIG.10

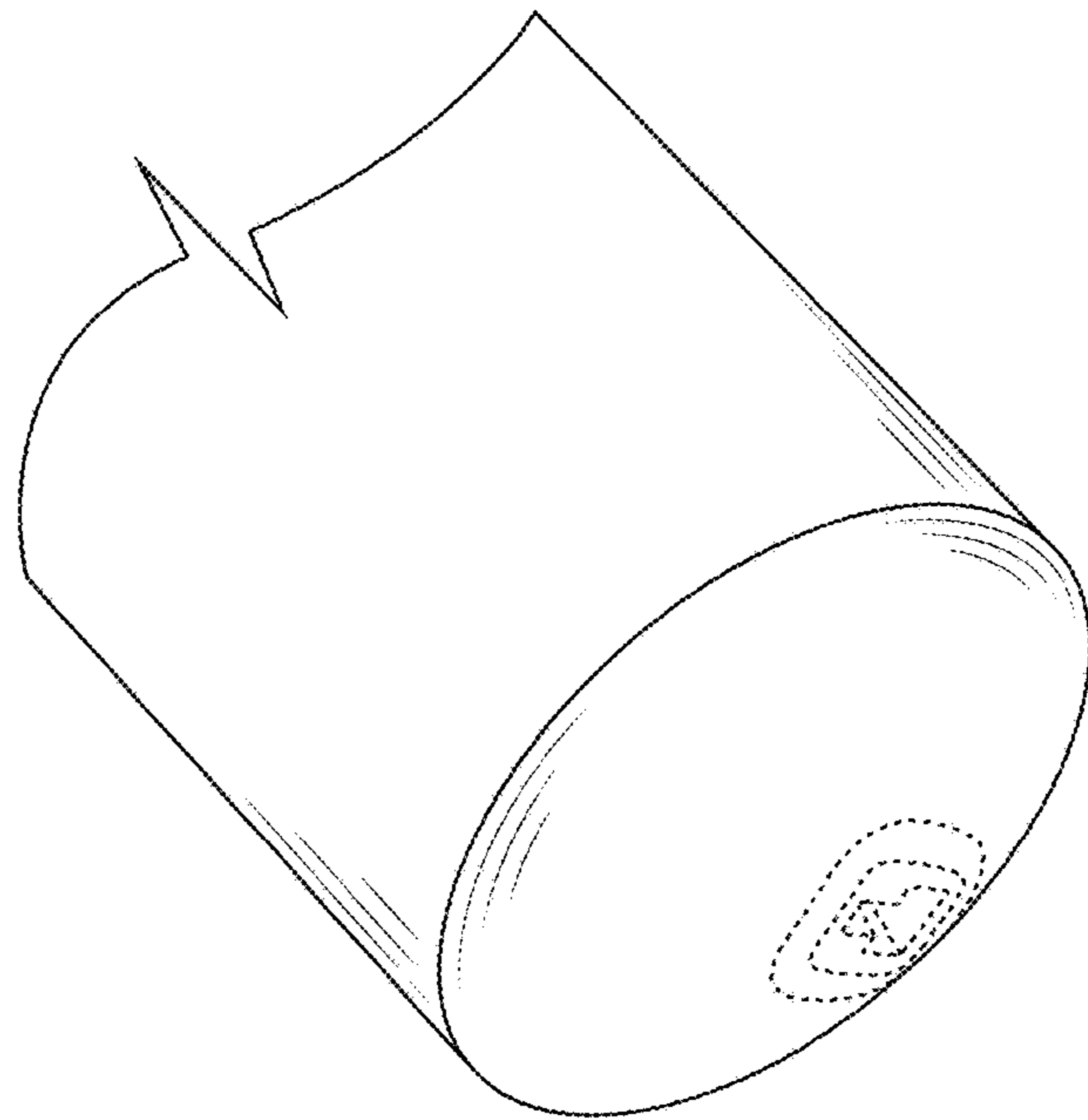


FIG.11

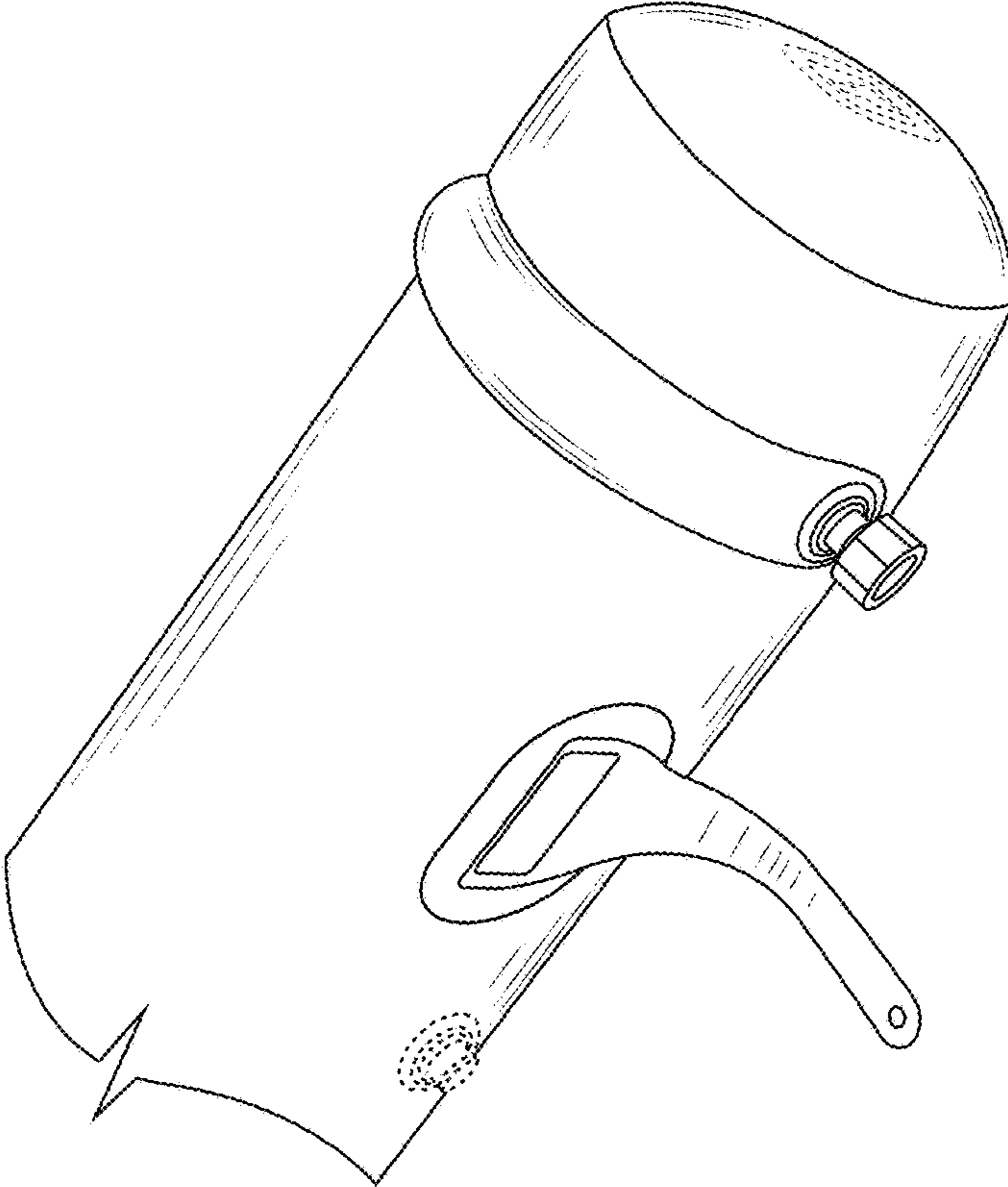


FIG.12