



US00D867508S

(12) **United States Design Patent Law** (10) **Patent No.: US D867,508 S**
(45) **Date of Patent: ** Nov. 19, 2019**

- (54) **SWIMMING AID**
- (71) Applicant: **FANTASY FIN INTERNATIONAL INC.**, Aurora (CA)
- (72) Inventor: **Mary Jane Law**, Aurora (CA)
- (73) Assignee: **Fantasy Fin International Inc.**, Aurora, Ontario (CA)
- (**) Term: **15 Years**
- (21) Appl. No.: **29/558,804**
- (22) Filed: **Mar. 22, 2016**
- (51) **LOC (12) Cl.** **21-02**
- (52) **U.S. Cl.**
USPC **D21/806**
- (58) **Field of Classification Search**
USPC D21/698, 760, 771, 778, 791, 801, 803,
D21/804, 806, 807, 808; D2/731, 732;
421/55, 56, 58, 60, 61
CPC ... A63B 31/11; A63B 31/10; A63B 2031/112;
A63B 2031/115
See application file for complete search history.

(56) **References Cited**

U.S. PATENT DOCUMENTS

D278,165 S *	3/1985	Evans	D21/806
4,541,810 A *	9/1985	Wenzel	A63B 31/11 441/64
4,857,024 A *	8/1989	Evans	A63B 31/11 441/64
4,869,696 A *	9/1989	Ciccotelli	A63B 31/11 441/61
4,929,206 A *	5/1990	Evans	A63B 31/11 441/64
4,934,971 A *	6/1990	Picken	A63B 31/11 440/15
D327,933 S *	7/1992	Evans	D21/806
D328,118 S *	7/1992	Evans	D21/806

D340,272 S *	10/1993	Evans	D21/806
D379,398 S *	5/1997	Garraffa	D21/806
D393,684 S *	4/1998	Lin	D21/809
5,906,525 A *	5/1999	Melius	A63B 31/11 441/64
D415,544 S *	10/1999	Applegate	D21/806

(Continued)

FOREIGN PATENT DOCUMENTS

CN	303579914	*	8/2015
CN	303889595	*	3/2016

(Continued)

OTHER PUBLICATIONS

Available Sep. 22, 2018, [online], [site visited Sep. 22, 2018].
Available from Internet, <URL:https://www.fantasyfin.com/product/fantasy-fin-kids-adjustable-mermaid-monofini> (Year: 2018).*

(Continued)

Primary Examiner — Michael C Stout
Assistant Examiner — Katrina N Gonzalez
(74) *Attorney, Agent, or Firm* — Rosenberg, Klein & Lee

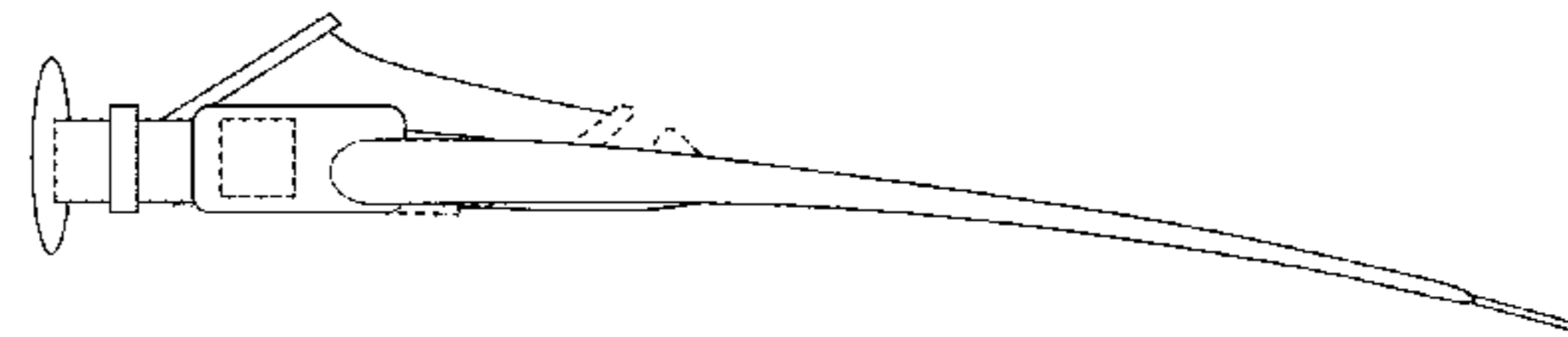
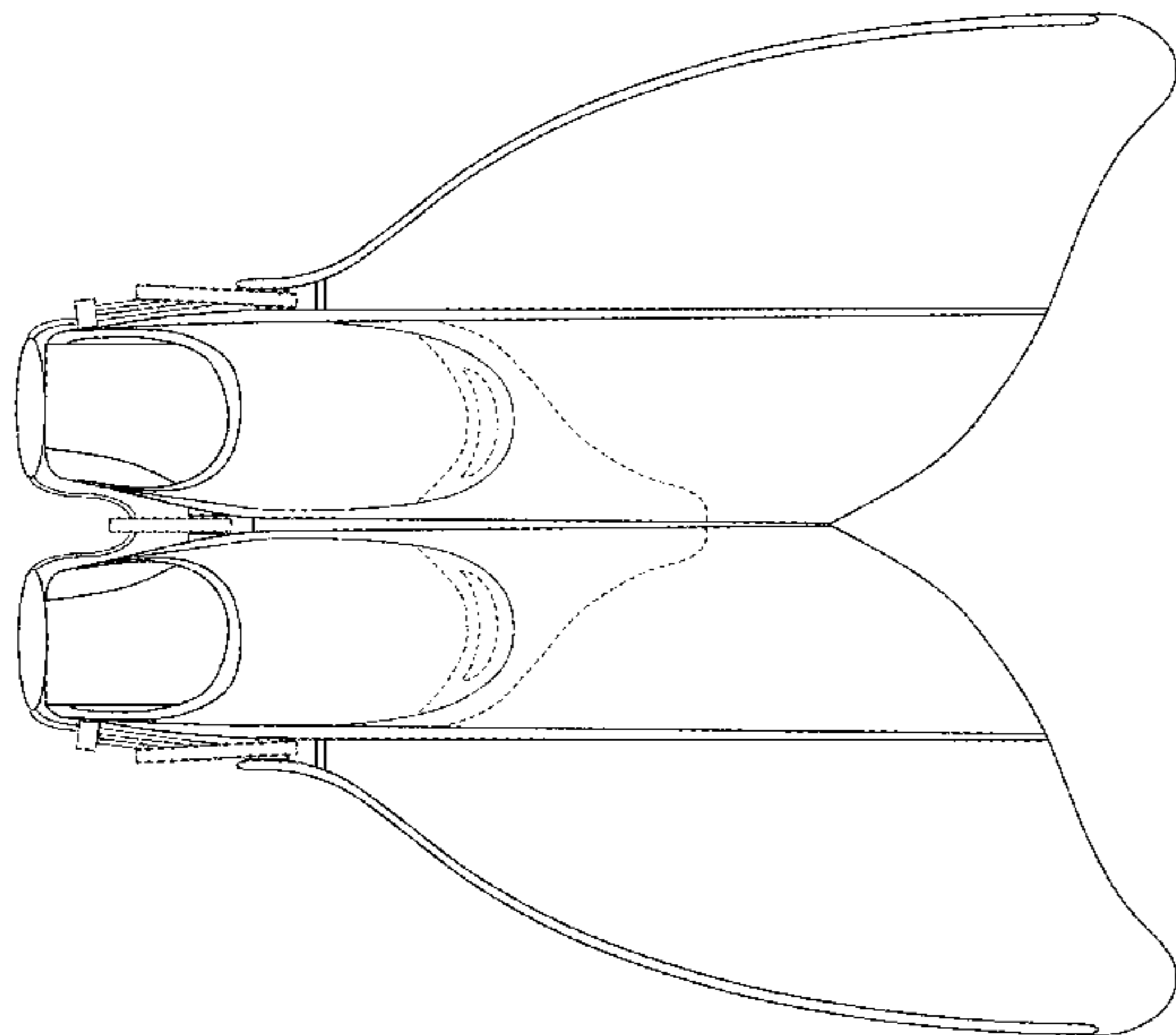
(57) **CLAIM**

The ornamental design for a swimming aid, as shown and described.

DESCRIPTION

FIG. 1 is a top plan view of a swimming aid;
FIG. 2 is a bottom plan view of the swimming aid of FIG. 1;
FIG. 3 is a left side view of the swimming aid of FIG. 1;
FIG. 4 is a right side view of the swimming aid of FIG. 1;
FIG. 5 is a front view of the swimming aid of FIG. 1; and,
FIG. 6 is a rear view of the swimming aid of FIG. 1.
The broken lines illustrate portions of the swimming aid that form no part of the claimed design.

1 Claim, 4 Drawing Sheets



(56)

References Cited

U.S. PATENT DOCUMENTS

D415,811 S * 10/1999 Chen D21/806
 D423,623 S * 4/2000 Evans D21/806
 D449,667 S * 10/2001 Evans D21/806
 D450,365 S * 11/2001 Evans D21/806
 D454,934 S * 3/2002 Evans D21/806
 D455,188 S * 4/2002 Evans D21/806
 D490,136 S * 5/2004 Godoy D21/806
 6,764,362 B1 * 7/2004 Wenzel A63B 31/11
 441/64
 D586,872 S * 2/2009 Couzyn D21/806
 D658,735 S * 5/2012 Melius D21/806
 D658,736 S * 5/2012 Melius D21/806
 D679,480 S * 4/2013 Geurts D2/741
 8,632,372 B2 * 1/2014 Fleck A63B 31/12
 441/55
 D789,474 S * 6/2017 Abruzzini D21/806
 2008/0108259 A1 * 5/2008 Melius A63B 31/11
 441/64

2015/0343268 A1* 12/2015 Wiseman A63B 31/11
 441/64
 2016/0051860 A1* 2/2016 Browning A63B 31/11
 441/64
 2017/0144027 A1* 5/2017 Wiseman A63B 31/11

FOREIGN PATENT DOCUMENTS

CN 304284631 * 1/2017
 CN 304241751 * 3/2017

OTHER PUBLICATIONS

Available Sep. 22, 2018, [online], [site visited Sep. 22, 2018].
 Available from Internet, <URL:https://fantasy-fin-mermaid-tails.
 myshopify.com/collections/monofins/products/fantasy-fin-1-safest-
 junior-adult-mermaid-monofin > (Year: 2018).*

* cited by examiner

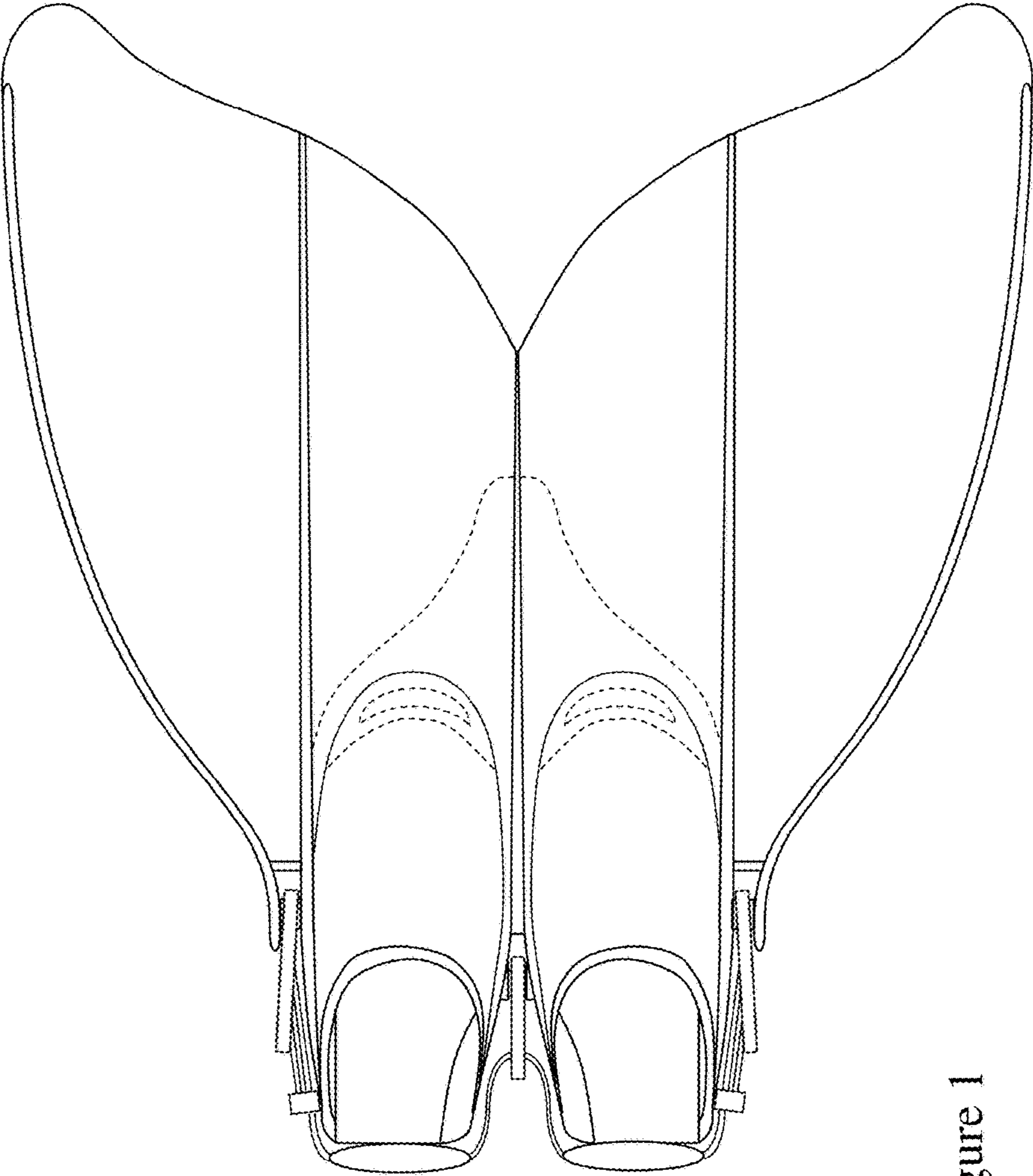


Figure 1

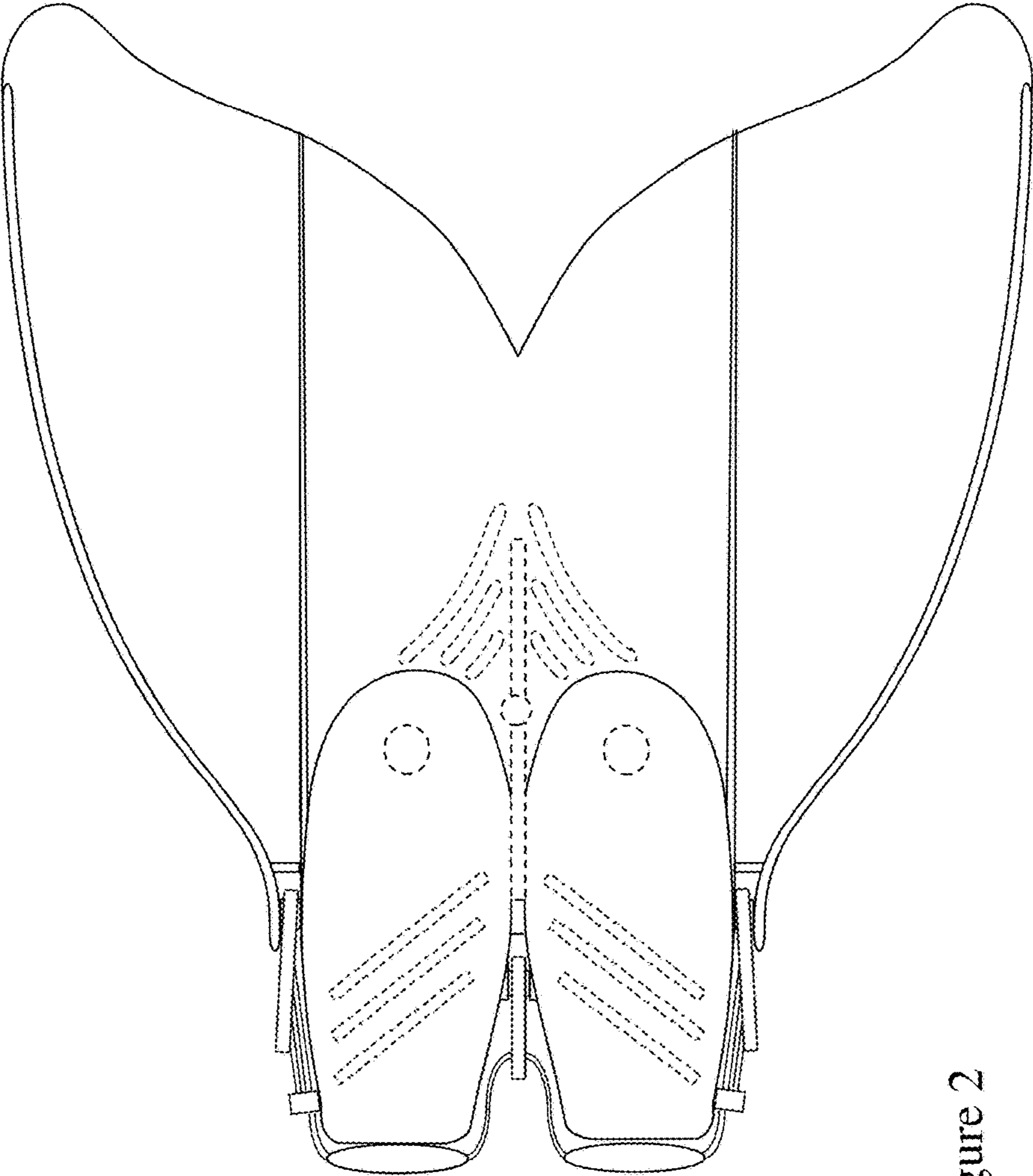


Figure 2



Figure 3

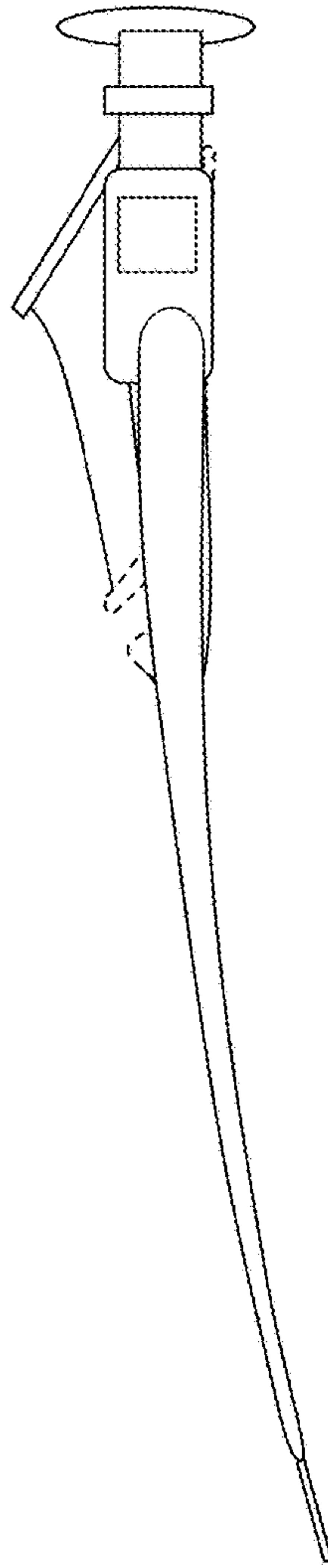


Figure 4

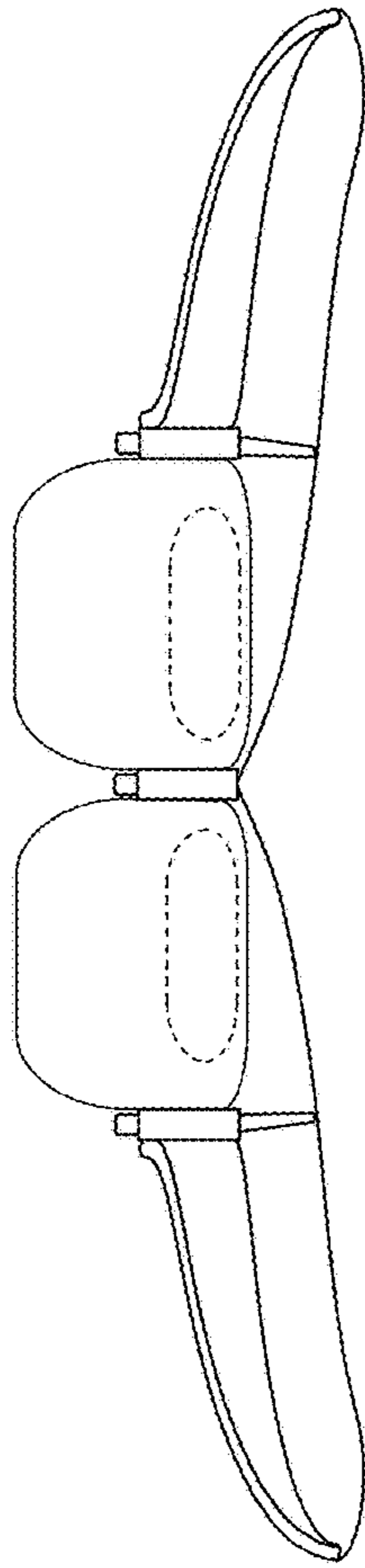


Figure 5

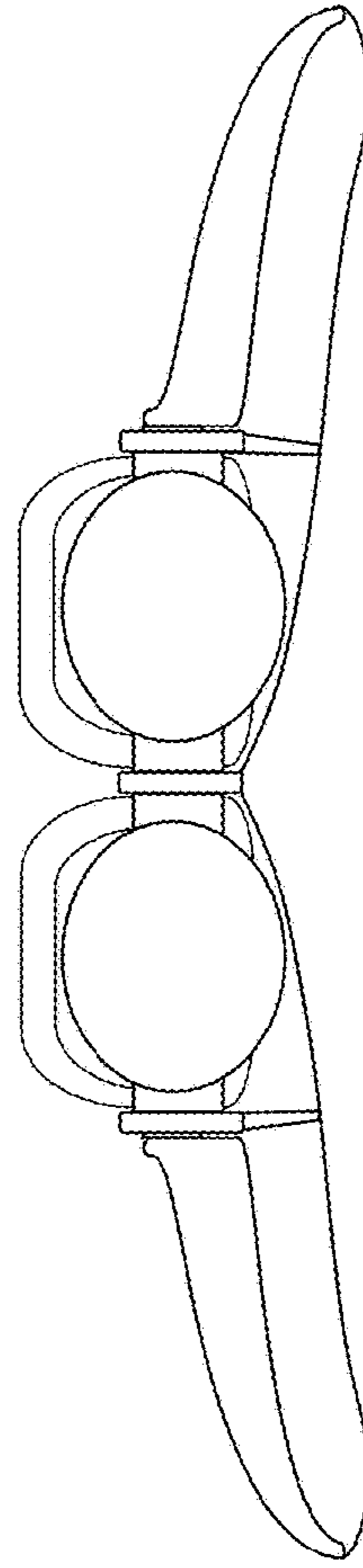


Figure 6