



US00D867507S

(12) **United States Design Patent** (10) **Patent No.:** **US D867,507 S**  
**Bartholomew** (45) **Date of Patent:** **\*\* Nov. 19, 2019**

(54) **GOLF CHIPPING GAME** 5,655,972 A 8/1997 Heitzman  
D395,481 S \* 6/1998 Corbett ..... D21/791  
(71) Applicant: **Ricky Bartholomew**, Phillipsburg, NJ 5,984,793 A 11/1999 Palombi  
(US) 6,004,219 A 12/1999 Peabody  
(72) Inventor: **Ricky Bartholomew**, Phillipsburg, NJ D420,083 S \* 2/2000 Muto ..... D21/790  
(US) 6,837,809 B2 \* 1/2005 Majumdar ..... A63B 69/0002  
273/348  
D509,872 S \* 9/2005 Alberti ..... D21/699  
D533,599 S \* 12/2006 Bolter ..... D21/303  
D714,890 S 10/2014 Boiman  
(\*\*) Term: **15 Years** 2002/0117804 A1 \* 8/2002 Chou ..... F41J 5/044  
273/371

(21) Appl. No.: **29/618,064**

(22) Filed: **Sep. 19, 2017**

(51) **LOC (12) Cl.** ..... **21-02**

(52) **U.S. Cl.**  
USPC ..... **D21/790**

(58) **Field of Classification Search**  
USPC ..... D21/5, 234, 303-304, 698, 699, 704,  
D21/705, 707, 708, 715, 780, 791;  
273/181 A, 181 E; 473/172, 184, 328  
CPC ..... A63B 63/00; A63B 2069/0006  
See application file for complete search history.

(56) **References Cited**

**U.S. PATENT DOCUMENTS**

1,923,152 A 8/1933 Kohn  
2,944,816 A \* 7/1960 Dixon ..... A63B 69/0097  
473/435  
3,190,655 A \* 6/1965 Thomas ..... A63F 3/02  
273/264  
3,328,033 A \* 6/1967 Hendry ..... A63B 63/00  
473/184  
4,244,576 A 1/1981 Mosier et al.  
D352,326 S \* 11/1994 Hsiao ..... D21/790  
D354,992 S \* 1/1995 Hinsperger ..... D21/705  
5,549,302 A 8/1996 Lapsker et al.  
D378,687 S \* 4/1997 Clark ..... D21/304

**FOREIGN PATENT DOCUMENTS**

WO WO9408667 4/1994

\* cited by examiner

*Primary Examiner* — Sandra S Snapp  
*Assistant Examiner* — Mehri F Bajoul

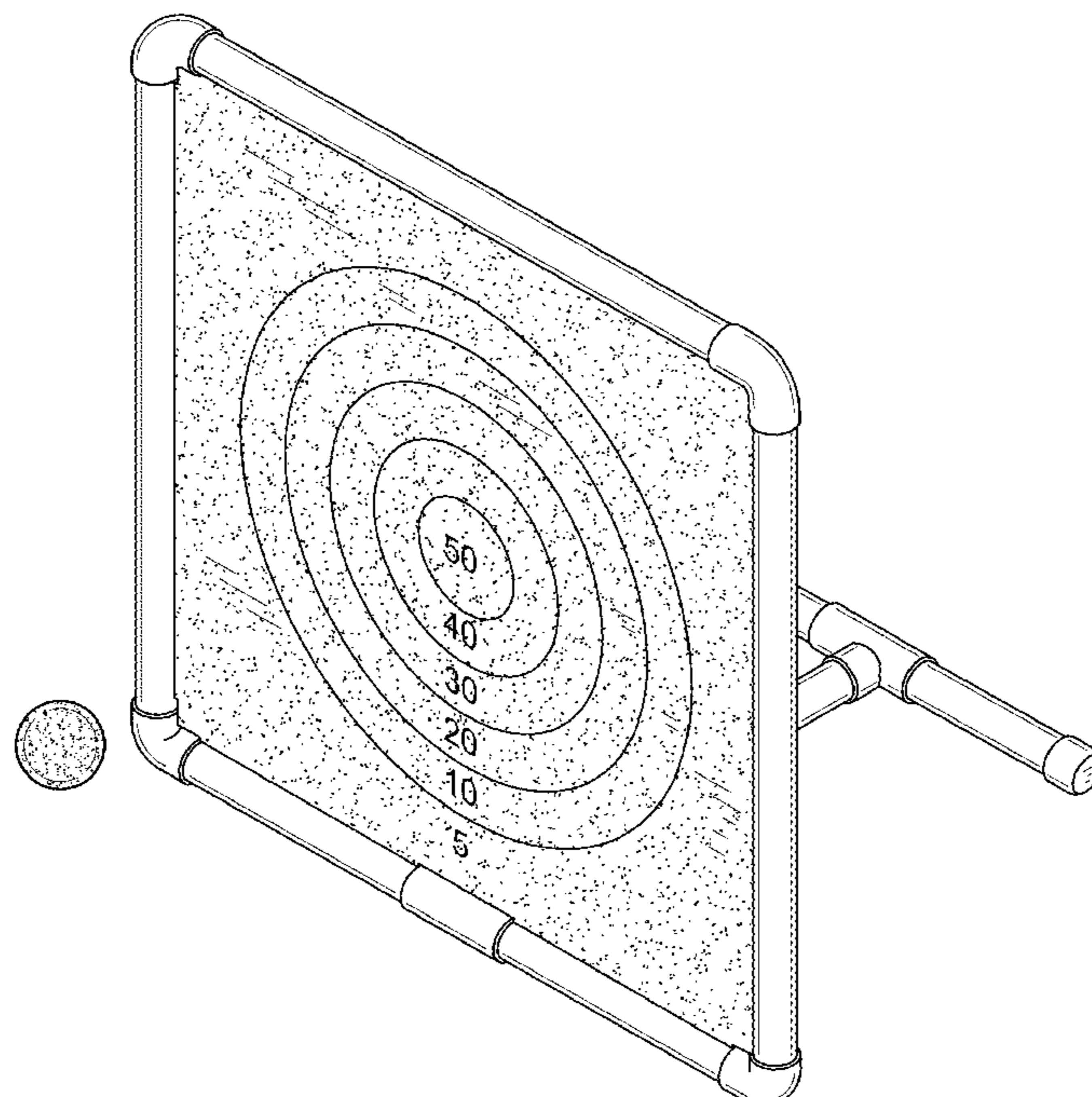
(57) **CLAIM**

The ornamental design for a golf chipping game, as shown and described.

**DESCRIPTION**

FIG. 1 is a front view of a golf chipping game showing my new design;  
FIG. 2 is a rear view of the golf chipping game;  
FIG. 3 is a left side view of the golf chipping game, a right side view being a mirror image thereof;  
FIG. 4 is a top view of the golf chipping game;  
FIG. 5 is a bottom view of the golf chipping game; and,  
FIG. 6 is a top front side perspective view of the golf chipping game.

**1 Claim, 6 Drawing Sheets**



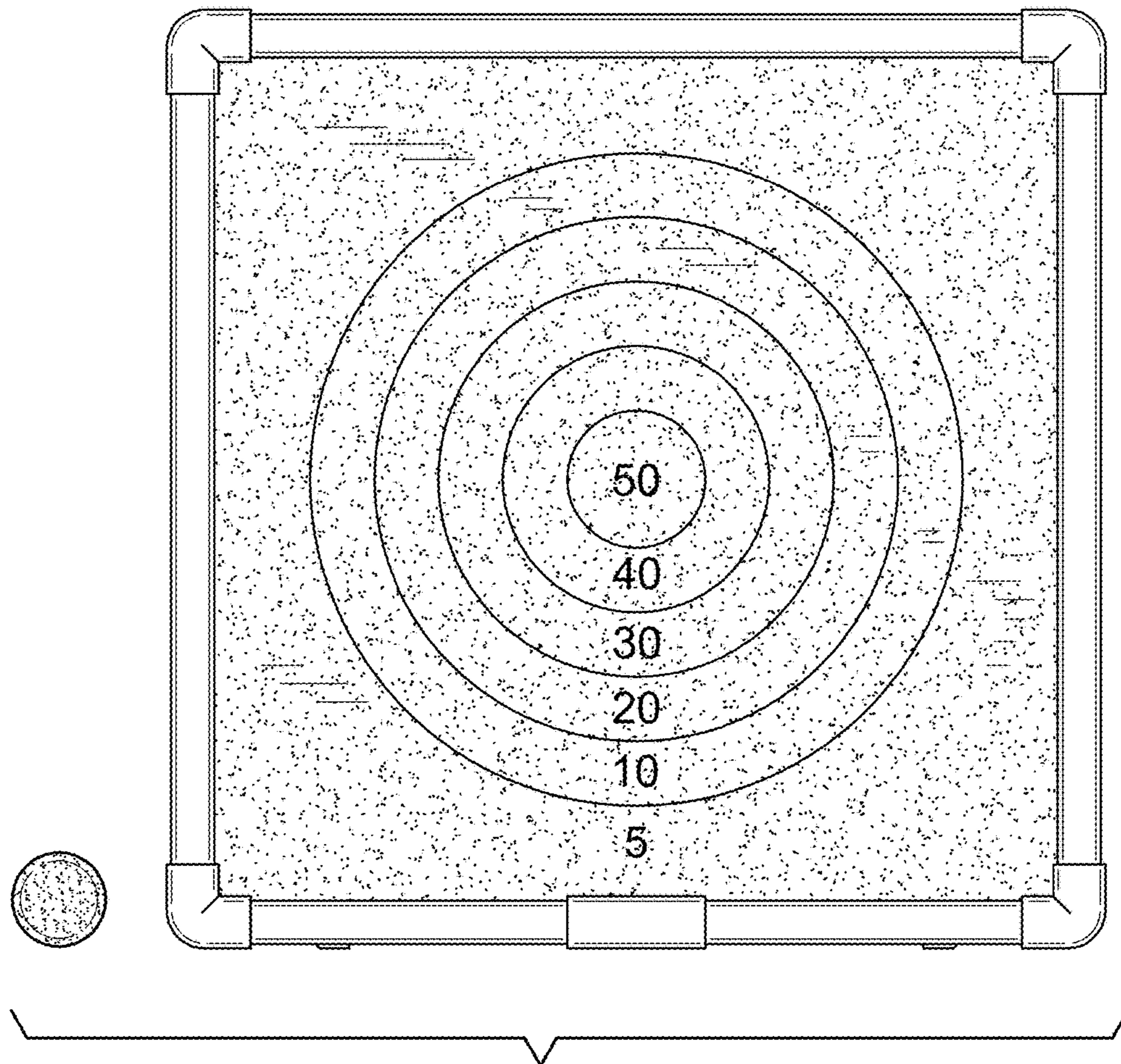


FIG. 1

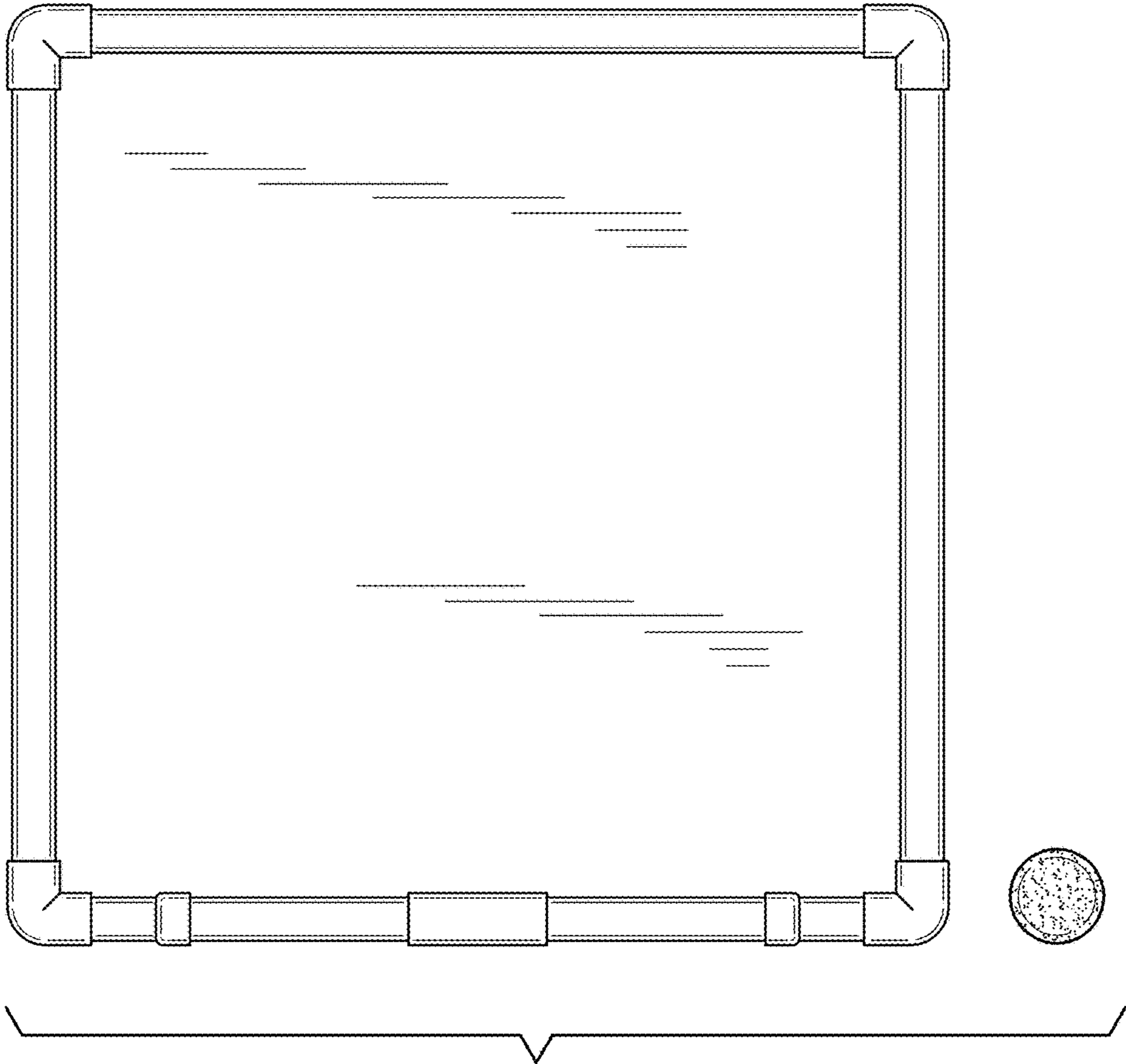


FIG. 2

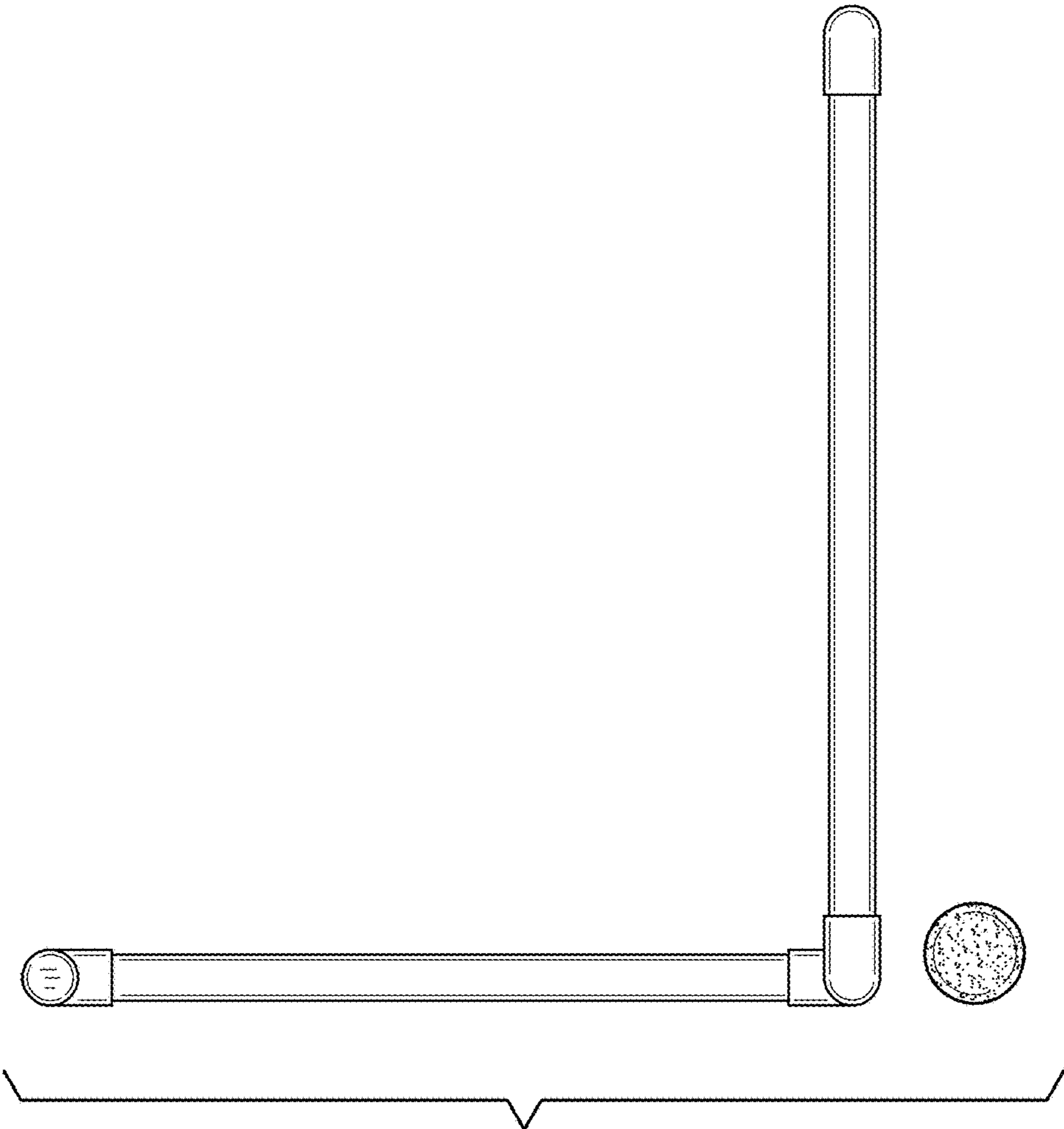


FIG. 3

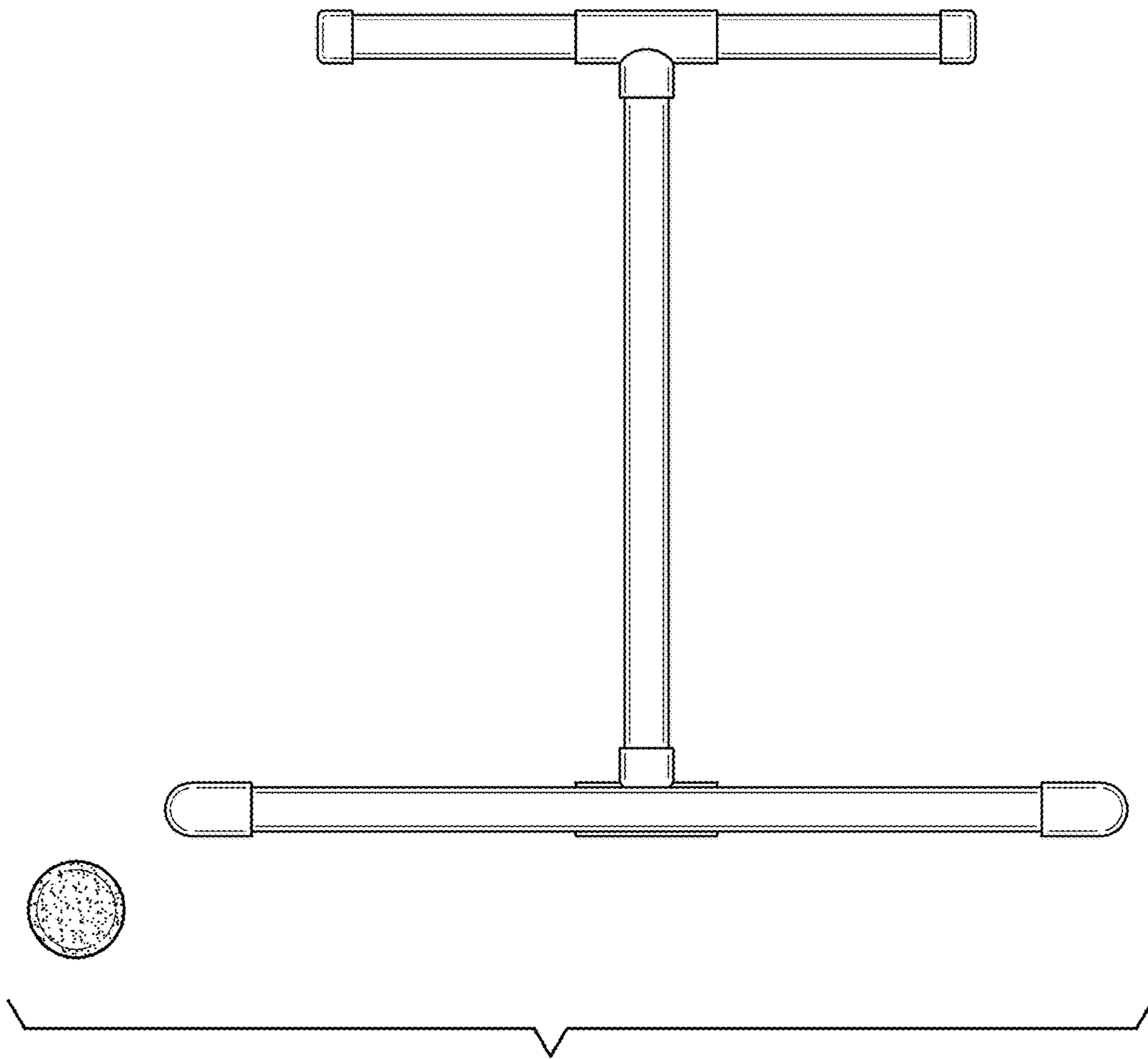


FIG. 4

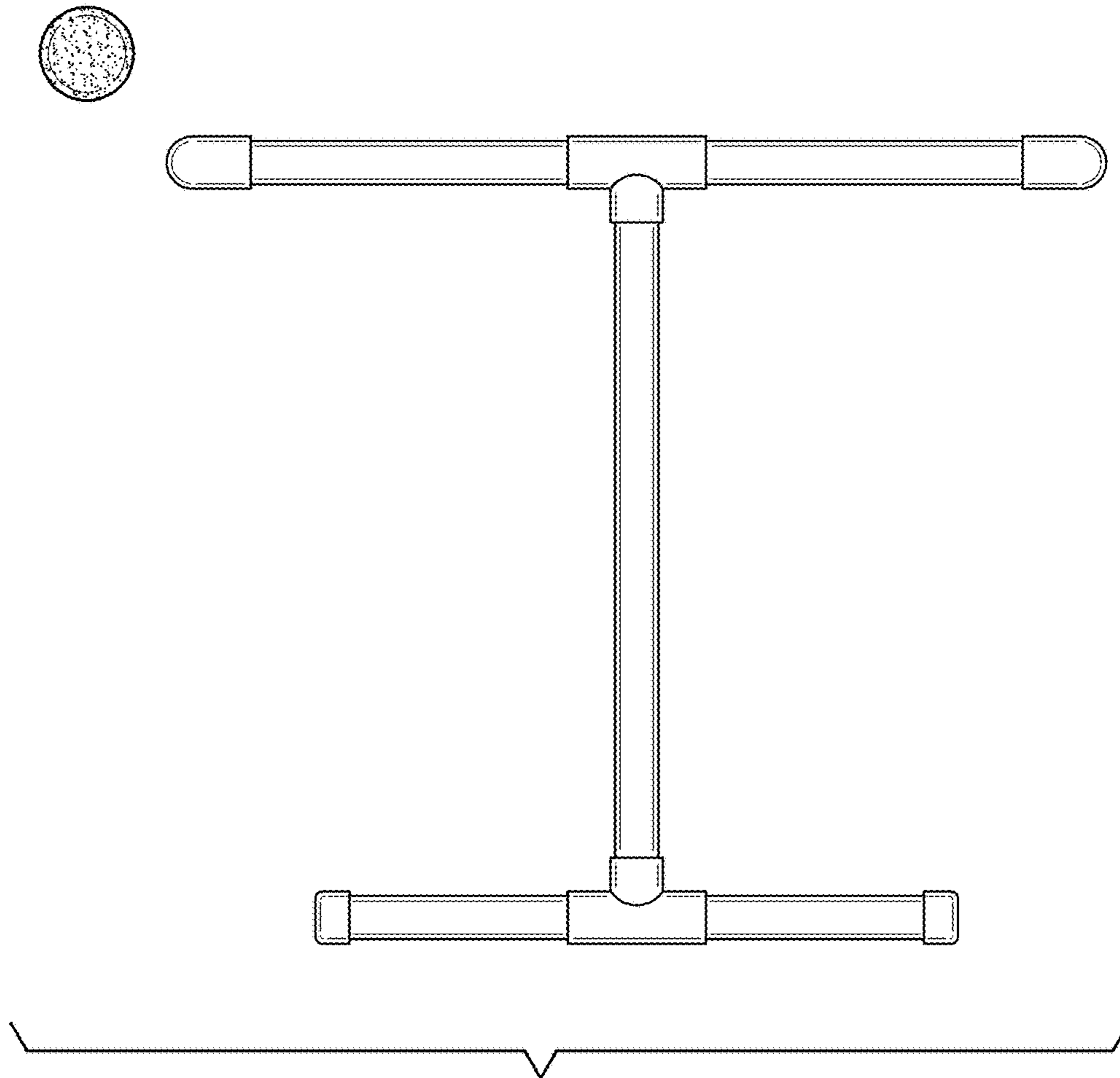


FIG. 5

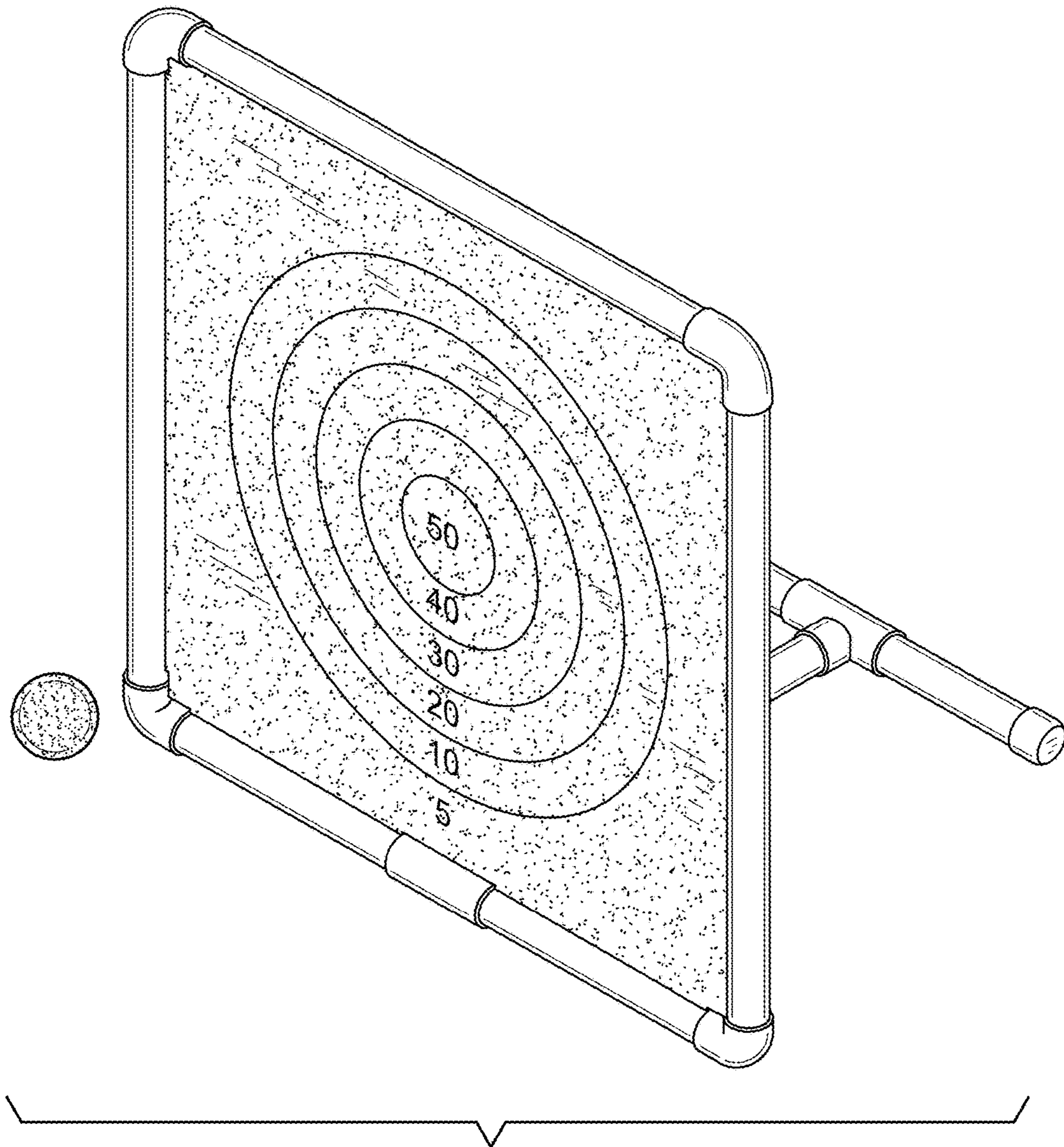


FIG. 6