

US00D867504S

(12) **United States Design Patent** (10) **Patent No.:** **US D867,504 S**  
**Cao** (45) **Date of Patent:** **\*\* Nov. 19, 2019**

(54) **HOVERSHOE**  
(71) Applicant: **Zhifeng Cao**, Xianyang (CN)  
(72) Inventor: **Zhifeng Cao**, Xianyang (CN)  
(73) Assignee: **Shenzhen Tomoloo Technology Industrial Co., Ltd**, Shenzhen, Guangdong (CN)  
(\*\*) Term: **15 Years**  
(21) Appl. No.: **29/666,371**  
(22) Filed: **Oct. 12, 2018**  
(51) **LOC (12) Cl.** ..... **21-02**  
(52) **U.S. Cl.**  
USPC ..... **D21/763**; D21/760  
(58) **Field of Classification Search**  
USPC ..... D21/760, 763, 765; D12/1  
CPC ..... B62K 11/007; B62K 11/10; A63C 17/00;  
A63C 17/004; A63C 17/01; A63C 17/04;  
A63C 17/06; A63C 17/08; A63C 17/18  
See application file for complete search history.

(56) **References Cited**  
U.S. PATENT DOCUMENTS  
D233,619 S \* 11/1974 Kelling ..... D21/763  
7,059,613 B2 \* 6/2006 Farrelly ..... A63C 17/04  
280/11.221  
7,083,178 B2 \* 8/2006 Potter ..... A63C 17/004  
280/87.042  
D567,318 S \* 4/2008 Farrelly ..... A63C 17/06  
D21/763  
7,484,742 B2 \* 2/2009 Choi ..... A63C 17/0033  
280/11.223  
D610,643 S \* 2/2010 Chen ..... D21/764  
8,308,171 B2 \* 11/2012 Farrelly ..... A63C 17/01  
280/11.233

8,613,453 B2 \* 12/2013 Chen ..... A63C 17/00  
280/11.24  
D699,802 S \* 2/2014 Kim ..... D21/765  
D785,115 S \* 4/2017 Ying ..... D21/760  
9,919,200 B2 \* 3/2018 Mo ..... A63C 17/12  
2002/0149166 A1 \* 10/2002 Potter ..... A63C 17/004  
280/87.042  
2006/0186617 A1 \* 8/2006 Farrelly ..... A63C 17/01  
280/8  
2009/0174163 A1 \* 7/2009 Farrelly ..... A63C 17/06  
280/87.041  
2010/0090423 A1 \* 4/2010 Farrelly ..... A63C 17/01  
280/11.27  
2018/0257732 A1 \* 9/2018 Chen ..... B62K 11/007

**OTHER PUBLICATIONS**

Hover skates—Latest invention in 2018 hovershoes, uploaded on youtube.com Jul. 3, 2018 by Koowheel Skateboard [online], [site visited Jul. 8, 2019]. Available from Internet: <URL:https://youtu.be/t0zsTCCEY60>.\*

(Continued)

*Primary Examiner* — Cynthia M. Chin

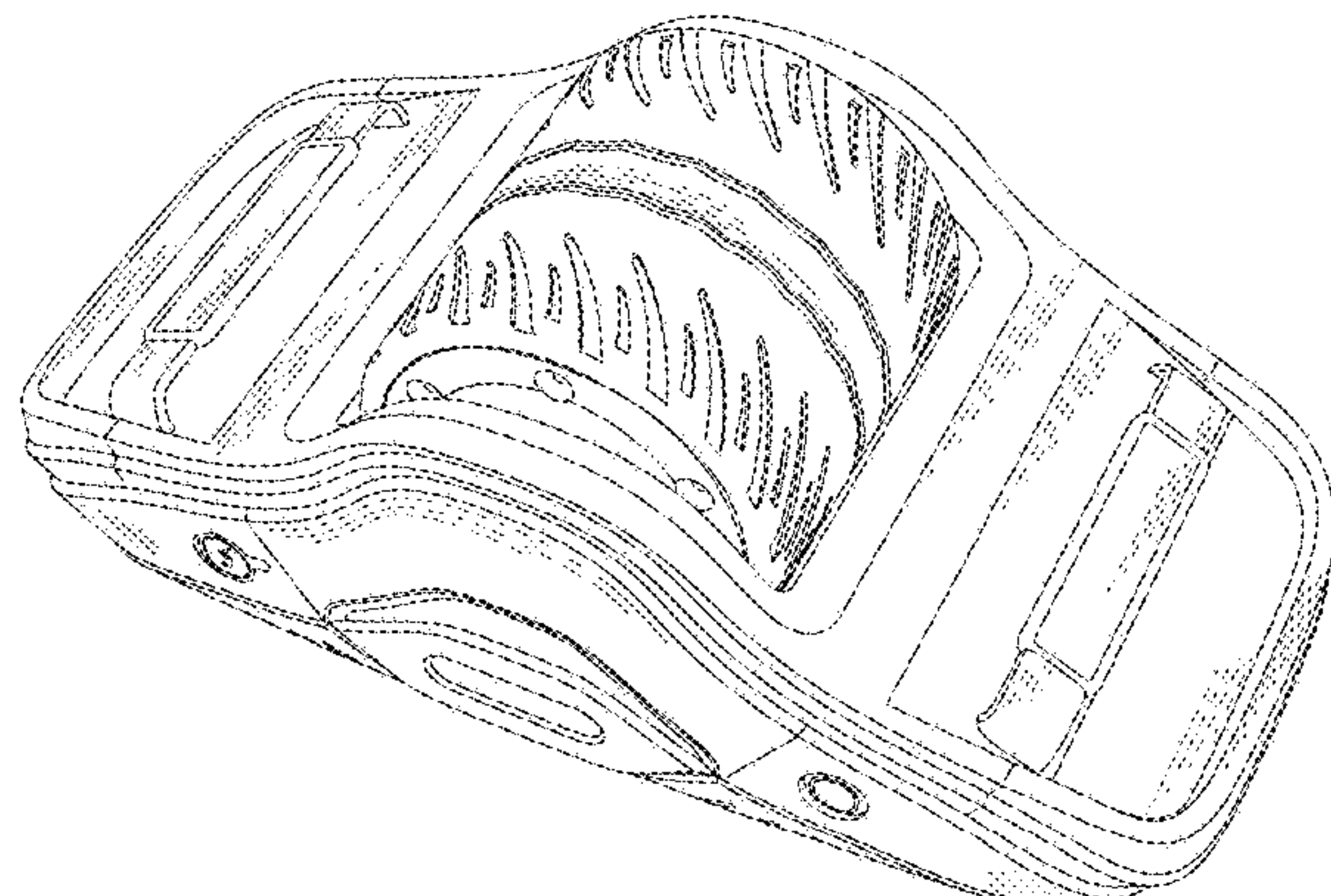
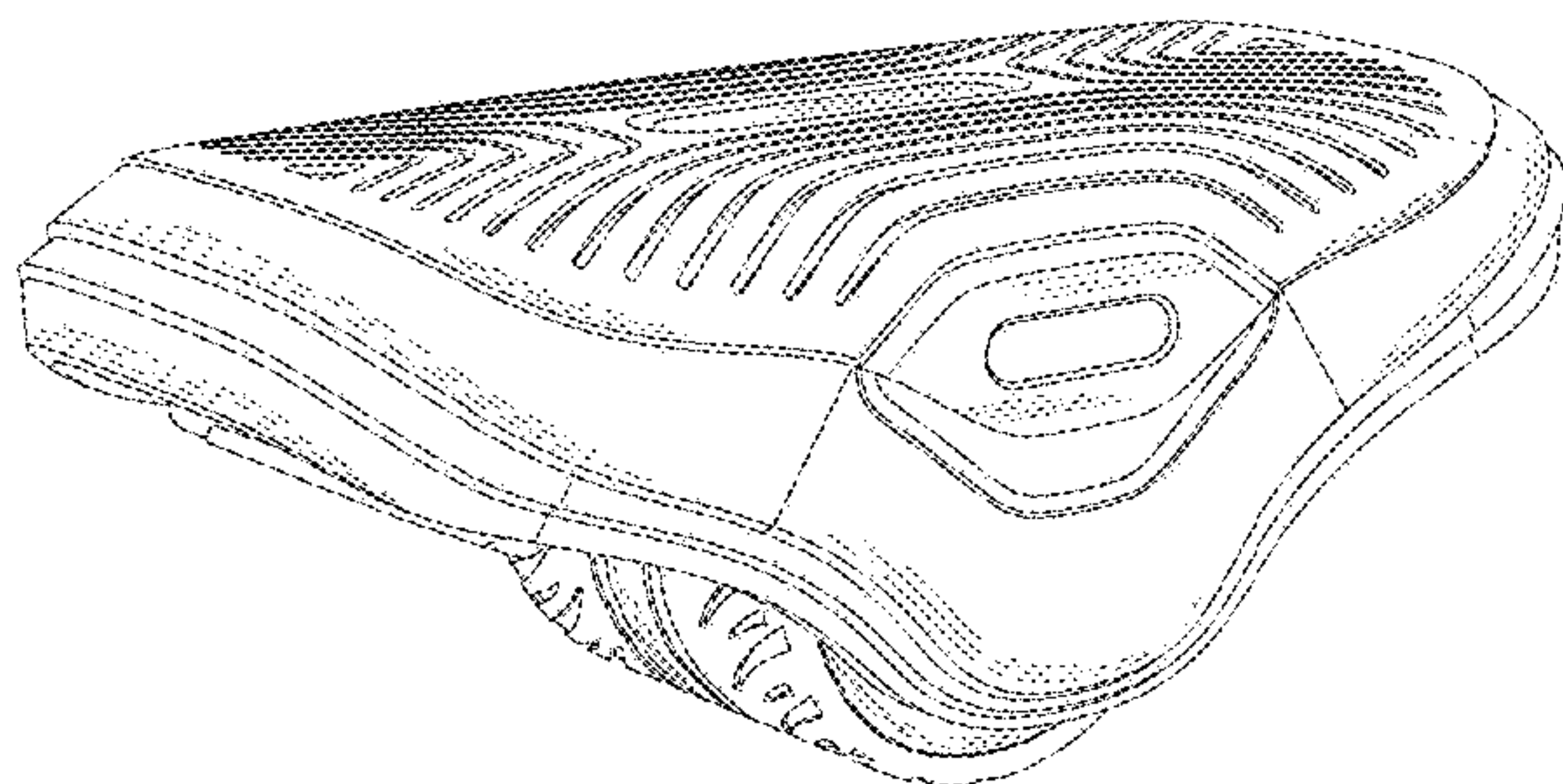
(57) **CLAIM**

The ornamental design for a hovershoe, as shown and described.

**DESCRIPTION**

FIG. 1 is a top and right perspective view of a hovershoe showing my new design;  
FIG. 2 is a bottom and left perspective view thereof;  
FIG. 3 is a front elevation view thereof;  
FIG. 4 is a rear elevation view thereof;  
FIG. 5 is a left side elevation view thereof;  
FIG. 6 is a right side elevation view thereof;  
FIG. 7 is a top plan view thereof; and,  
FIG. 8 is a bottom plan view thereof.

**1 Claim, 8 Drawing Sheets**



(56)

**References Cited**

OTHER PUBLICATIONS

Testing Segway Electric Shoes, uploaded on youtube.com Jul. 25, 2018 by CaseyNeistat [online], [site visited Jul. 8, 2019]. Available from Internet: <URL:<https://youtu.be/SxsW-XZ9cQw>>.\*

What is Hovershoes And How It Works? uploaded on youtube.com Jul. 2, 2018 by Smart Hoverboards [online], [site visited Jul. 8, 2019]. Available from Internet: <URL: <https://youtu.be/quYO6amemHs>>.\*

Inmotion Hovershoes X1 | SelfBalancing Scooter Board | Two Wheels Electric Skateboard, uploaded on youtube.com May 8, 2018 by INMOTION SCV [online], [site visited Jul. 8, 2019]. Available from Internet: <URL:<https://youtu.be/uutrnHgqgV8>>.\*

\* cited by examiner

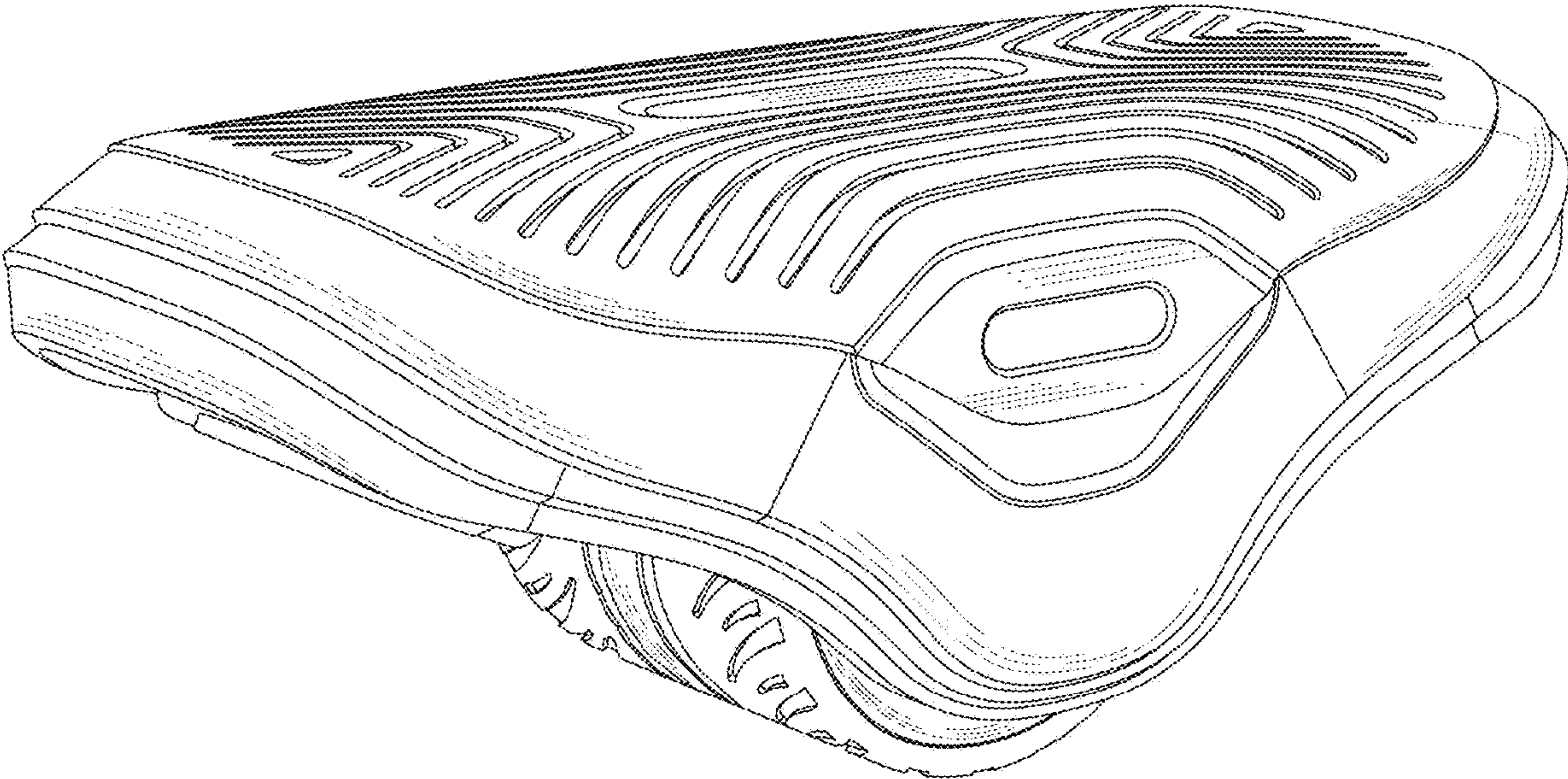


FIG.1



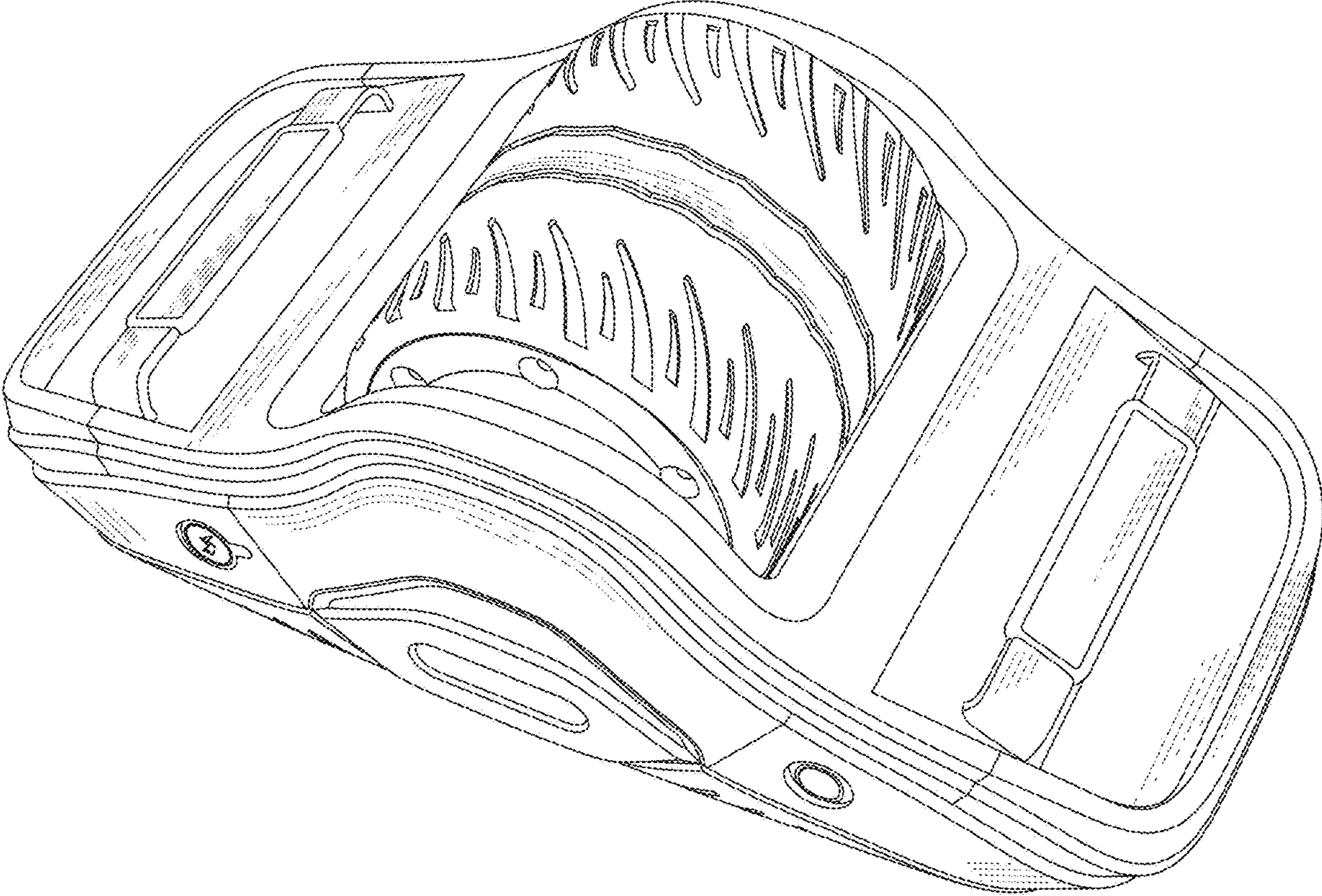


FIG.2

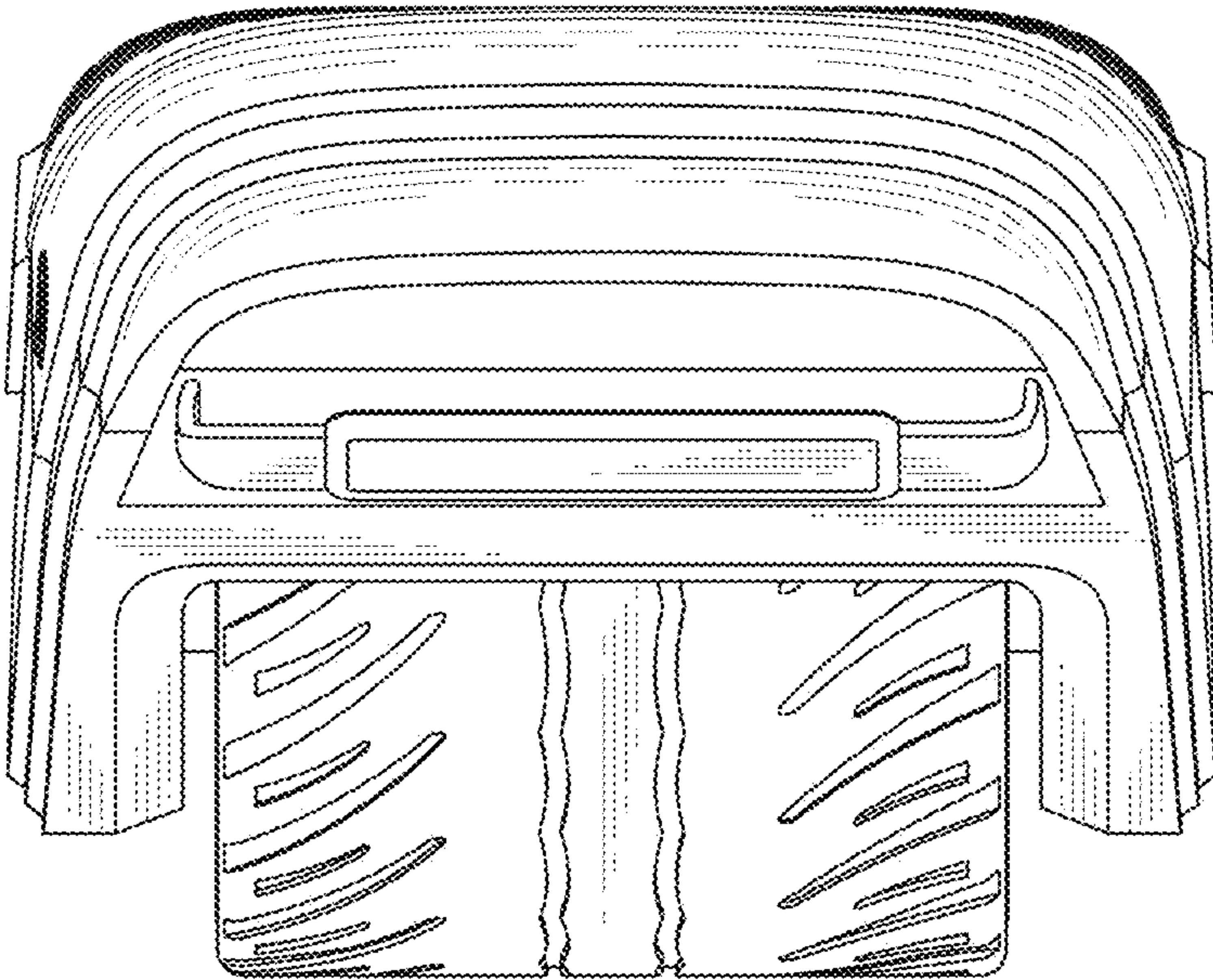


FIG.3

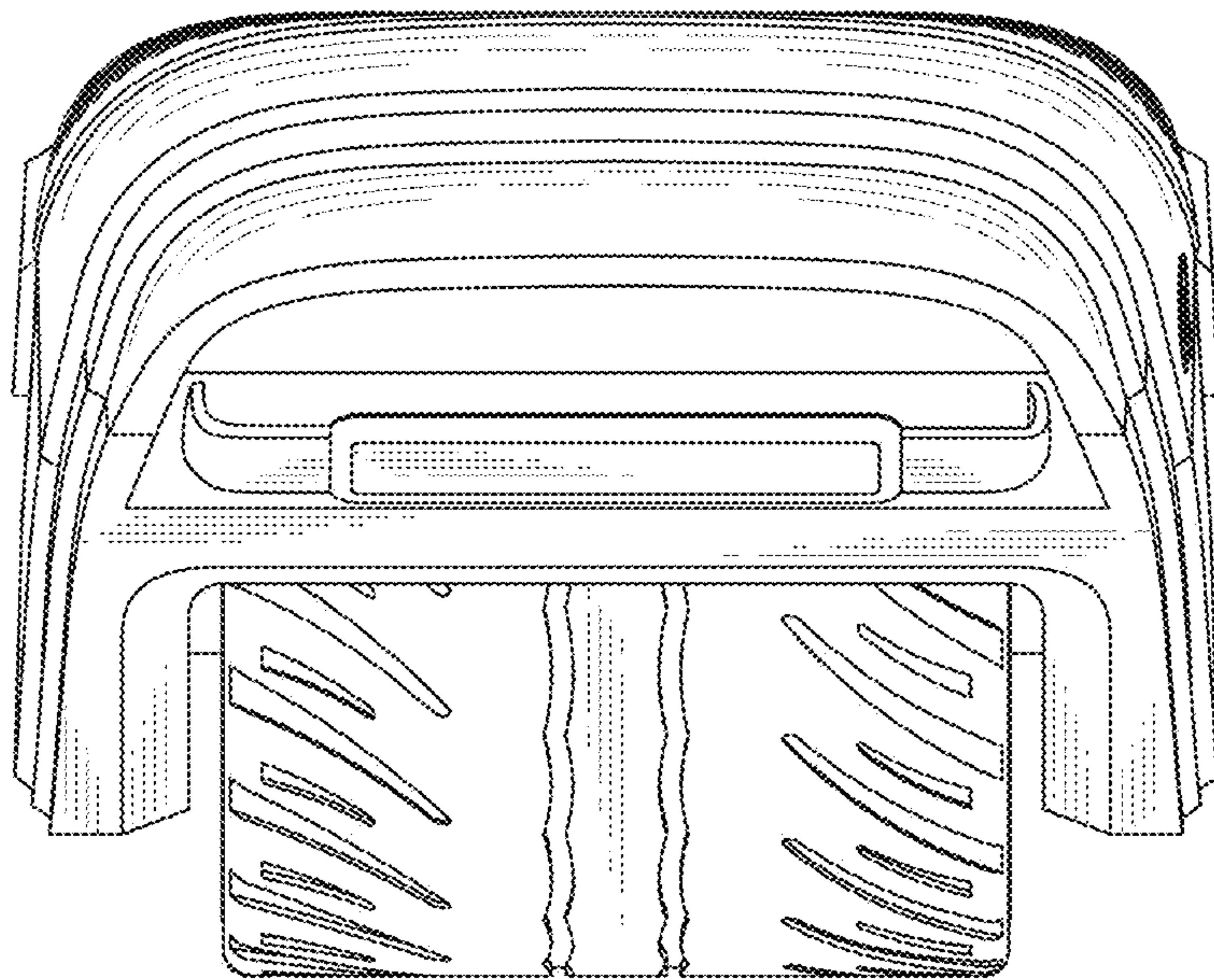


FIG.4

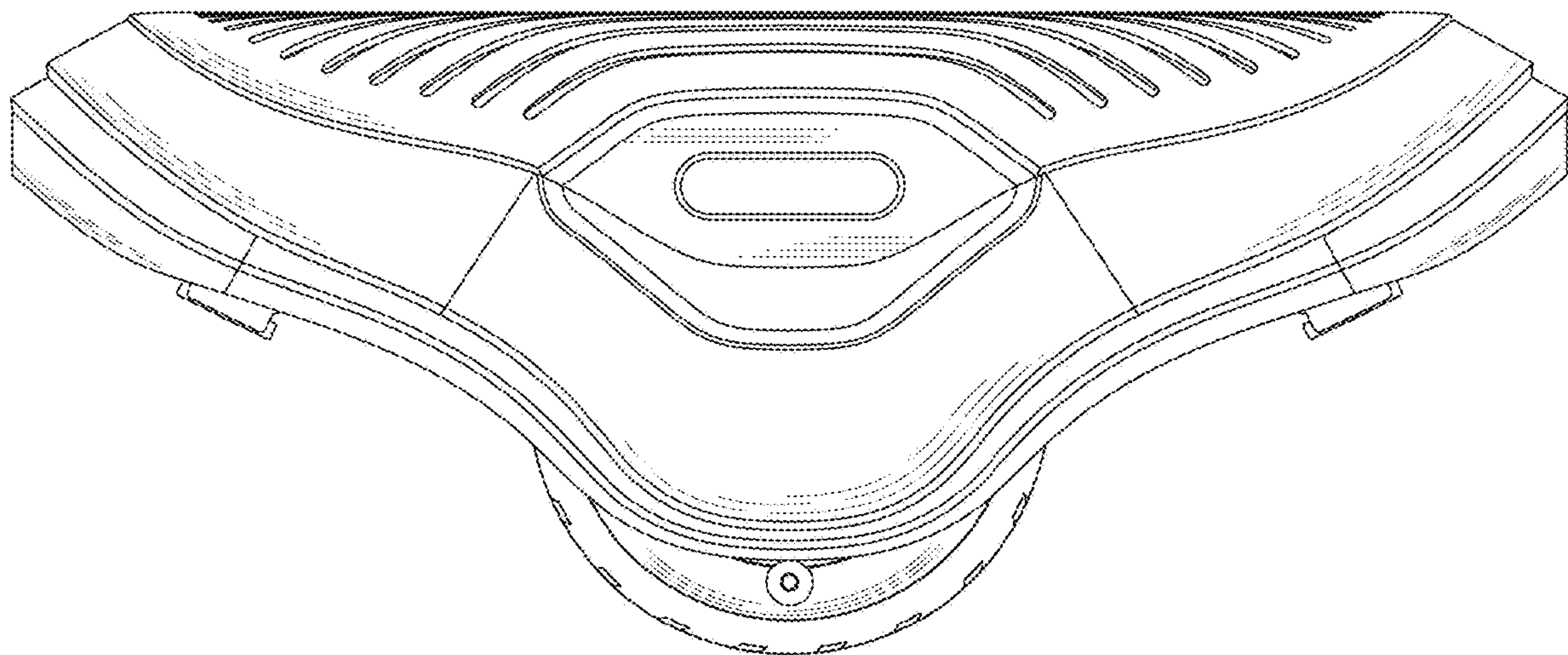


FIG.5



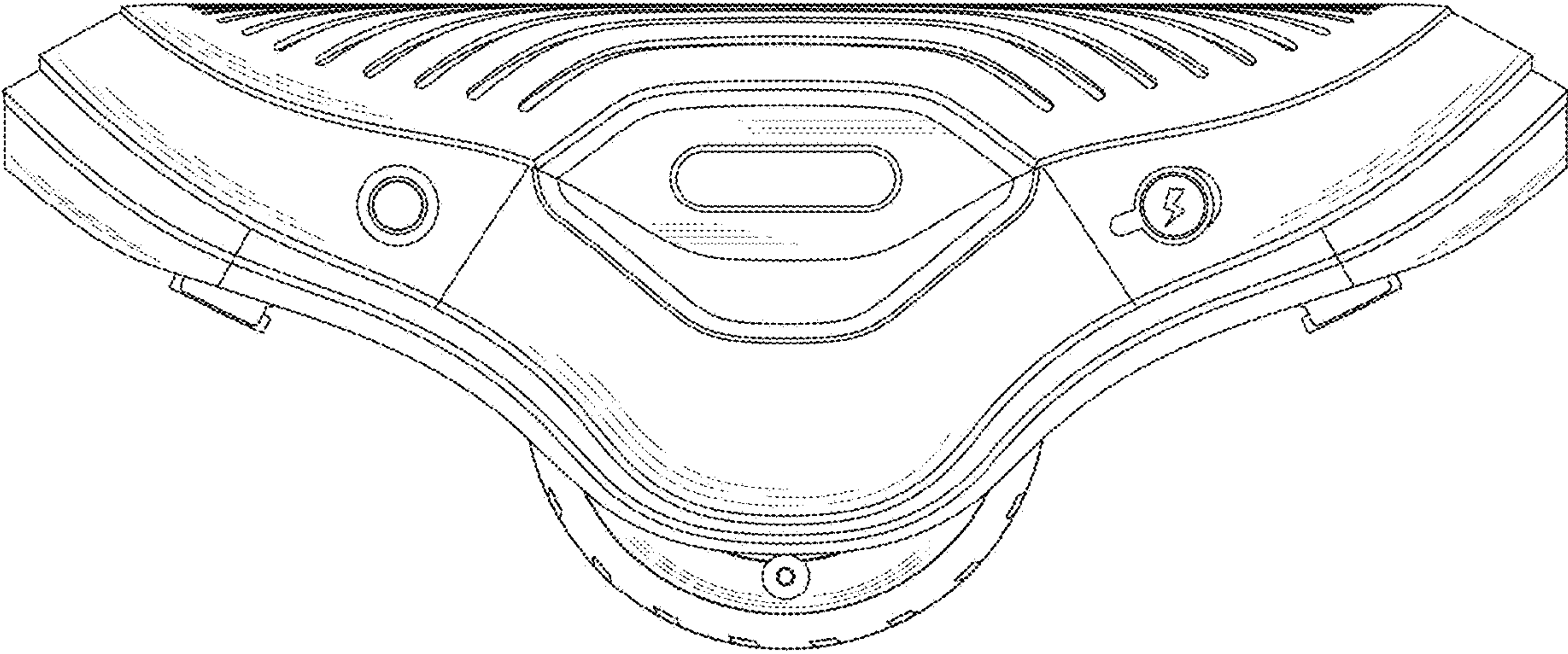


FIG.6



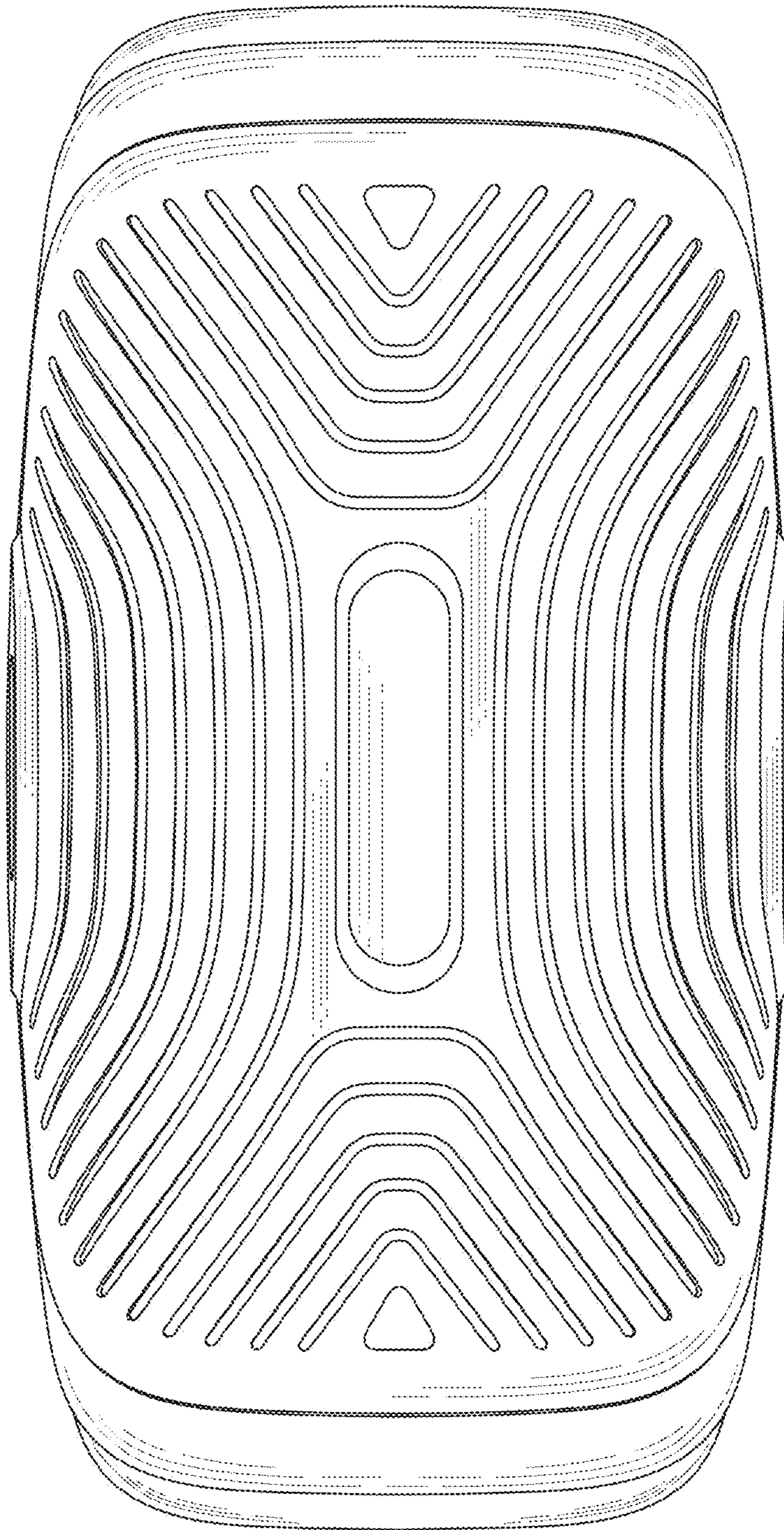


FIG. 7

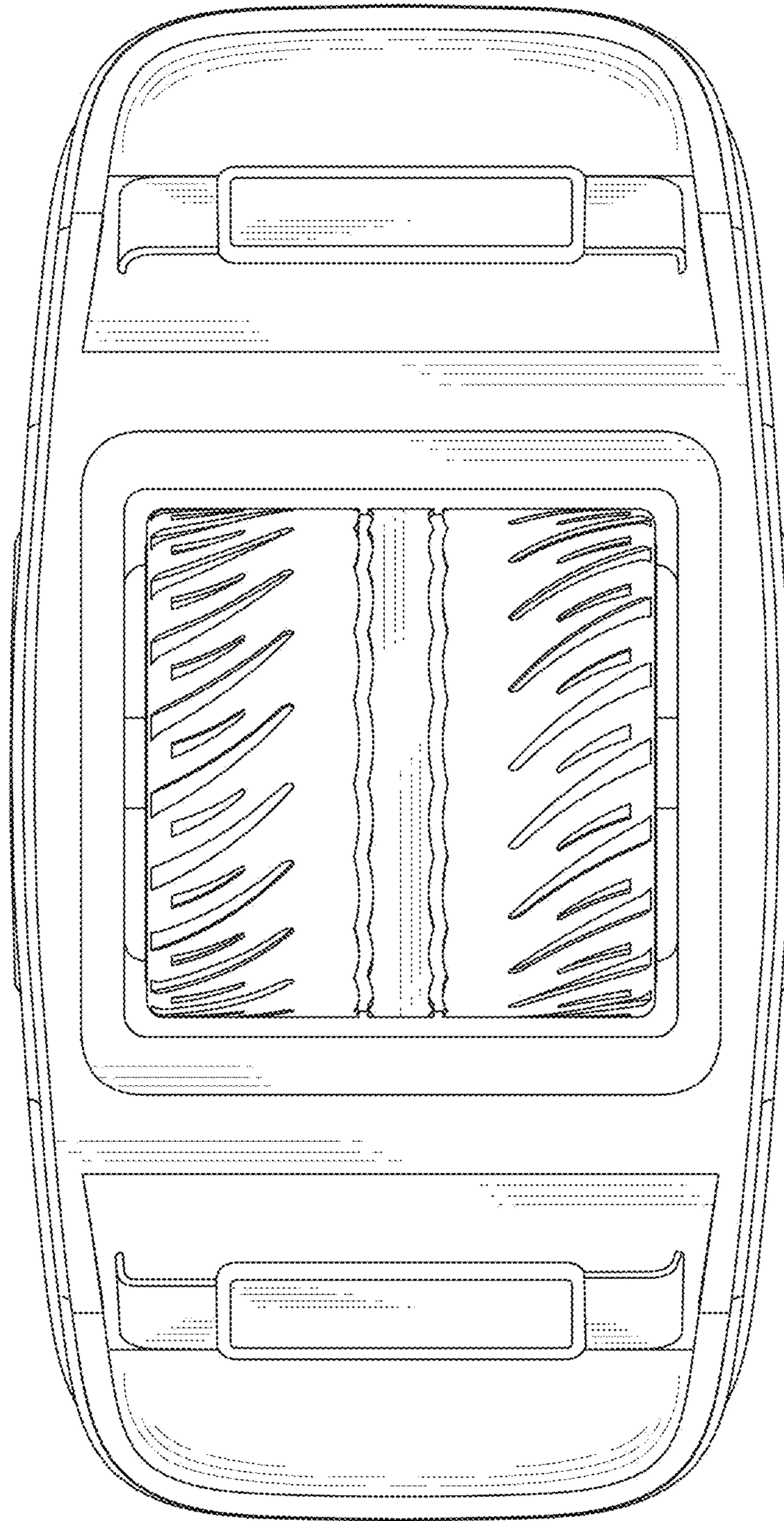


FIG. 8