

US00D867501S

(12) **United States Design Patent** (10) **Patent No.:** **US D867,501 S**
Chun et al. (45) **Date of Patent:** **** Nov. 19, 2019**

(54) **GOLF CLUB HEAD**
(71) Applicant: **Acushnet Company**, Fairhaven, MA (US)
(72) Inventors: **Kevin J. Chun**, Encinitas, CA (US); **Darryl C. Galvan**, El Cajon, CA (US)
(73) Assignee: **Acushnet Company**, Fairhaven, MA (US)
(**) Term: **15 Years**

D606,145 S * 12/2009 Kim D21/752
D607,953 S * 1/2010 Oldknow D21/759
D617,403 S * 6/2010 Llewellyn D21/752
D617,858 S * 6/2010 Llewellyn D21/752
D618,295 S * 6/2010 Llewellyn D21/752
D619,182 S * 7/2010 Foster D21/752
D637,671 S * 5/2011 Kim D21/752
D639,363 S * 6/2011 Llewellyn D21/752
D641,817 S * 7/2011 Llewellyn D21/752
D641,818 S * 7/2011 Foster D21/752
8,016,694 B2 * 9/2011 Llewellyn A63B 53/0466
473/334
D647,584 S * 10/2011 Foster D21/752
D663,371 S * 7/2012 Kim D21/752

(Continued)

(21) Appl. No.: **29/661,665**
(22) Filed: **Aug. 29, 2018**
(51) **LOC (12) Cl.** **21-02**
(52) **U.S. Cl.**
USPC **D21/752**
(58) **Field of Classification Search**
USPC D21/733, 752, 759
CPC A63B 53/00; A63B 53/04; A63B 53/0466;
A63B 2053/002; A63B 2053/0445; A63B
2053/0433; A63B 2053/0491; A63B
2053/0437; A63B 60/00; A63B 60/46
See application file for complete search history.

OTHER PUBLICATIONS

U.S. Appl. No. 29/615,721, filed Aug. 30, 2017, Chun et al.
U.S. Appl. No. 29/626,133, filed Nov. 15, 2017, Song et al.
U.S. Appl. No. 29/626,149, filed Nov. 15, 2017, Song et al.

Primary Examiner — Mitchell I. Siegel
(74) *Attorney, Agent, or Firm* — Randy K. Chang

(57) **CLAIM**

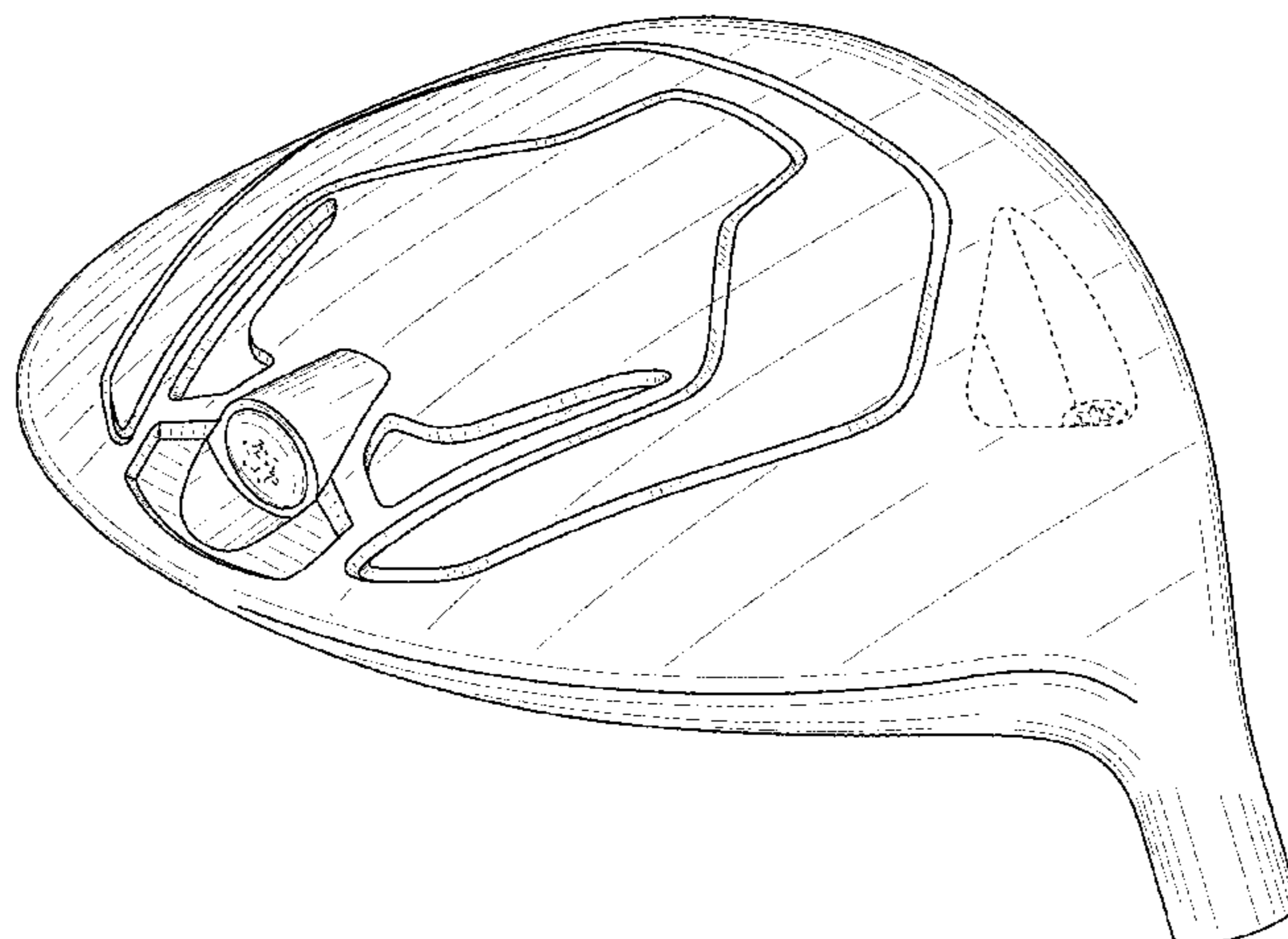
The ornamental design for a golf club head, as shown and described.

DESCRIPTION

FIG. 1 is a bottom perspective bottom sole view of our new design for a golf club head;
FIG. 2 is a front view thereof;
FIG. 3 is a bottom sole view thereof;
FIG. 4 is a back view thereof;
FIG. 5 is a top view thereof;
FIG. 6 is at heel side view thereof; and,
FIG. 7 is a toe side view thereof.
The broken lines shown are included for the purpose of illustrating unclaimed subject matter and forms no part of the claimed design.

1 Claim, 4 Drawing Sheets

(56) **References Cited**
U.S. PATENT DOCUMENTS
D470,555 S * 2/2003 Burnett D21/752
D471,246 S * 3/2003 Jones D21/752
D482,091 S * 11/2003 Soracco D21/752
D490,488 S * 5/2004 Hoffmann D21/752
D514,184 S * 1/2006 Kawami D21/752
D545,389 S * 6/2007 Glod D21/759
D571,882 S * 6/2008 Soracco D21/752
D585,101 S * 1/2009 Glod D21/752
D602,544 S * 10/2009 Oldknow D21/752
D602,545 S * 10/2009 Oldknow D21/752
D602,548 S * 10/2009 Oldknow D21/759
D602,550 S * 10/2009 Oldknow D21/759
D602,551 S * 10/2009 Oldknow D21/759



(56)

References Cited

U.S. PATENT DOCUMENTS

D667,516	S	*	9/2012	Gonzalez	D21/752
D667,907	S	*	9/2012	Engel	D21/752
D667,908	S	*	9/2012	Shimazaki	D21/759
D669,546	S	*	10/2012	Llewellyn	D21/752
D669,948	S	*	10/2012	Sakamoto	D21/752
D669,949	S	*	10/2012	Sakamoto	D21/752
D687,110	S	*	7/2013	Engel	D21/759
D707,767	S	*	6/2014	Song	D21/752
D708,686	S	*	7/2014	Day	D21/752
D709,150	S	*	7/2014	Day	D21/752
D713,902	S	*	9/2014	Kono	D21/759
D726,847	S	*	4/2015	Song	D21/752
D732,124	S	*	6/2015	Trahan	D21/759
D738,976	S	*	9/2015	Kim	D21/759
D756,474	S	*	5/2016	Trahan	D21/759
D765,805	S	*	9/2016	Song	D21/752
D767,058	S	*	9/2016	Oliveiro	D21/752
D796,612	S	*	9/2017	Myers	D21/759
D831,140	S	*	10/2018	Seagram	D21/752
D834,118	S	*	11/2018	Song	D21/759
D846,673	S	*	4/2019	Song	D21/752

* cited by examiner

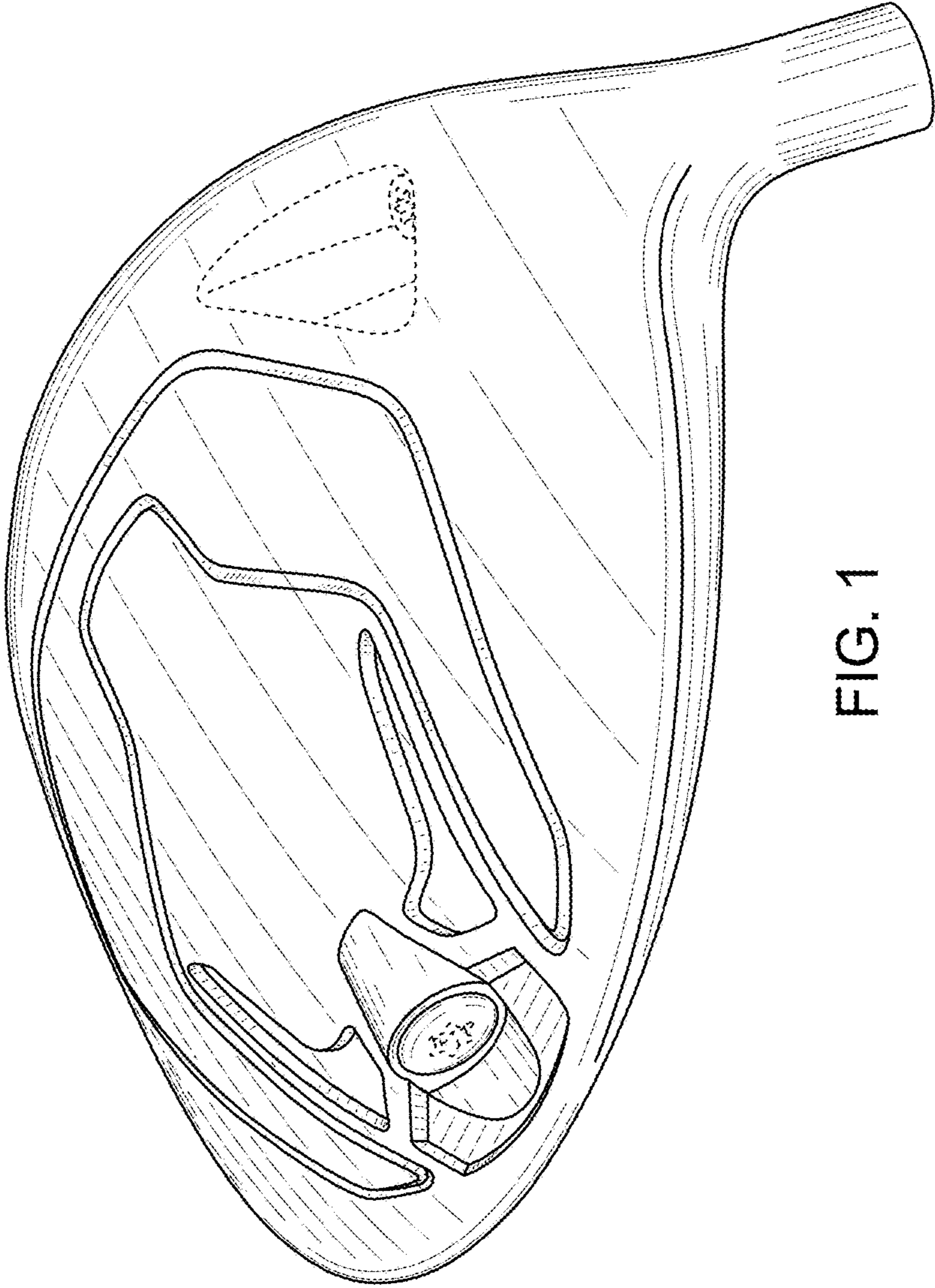


FIG. 1

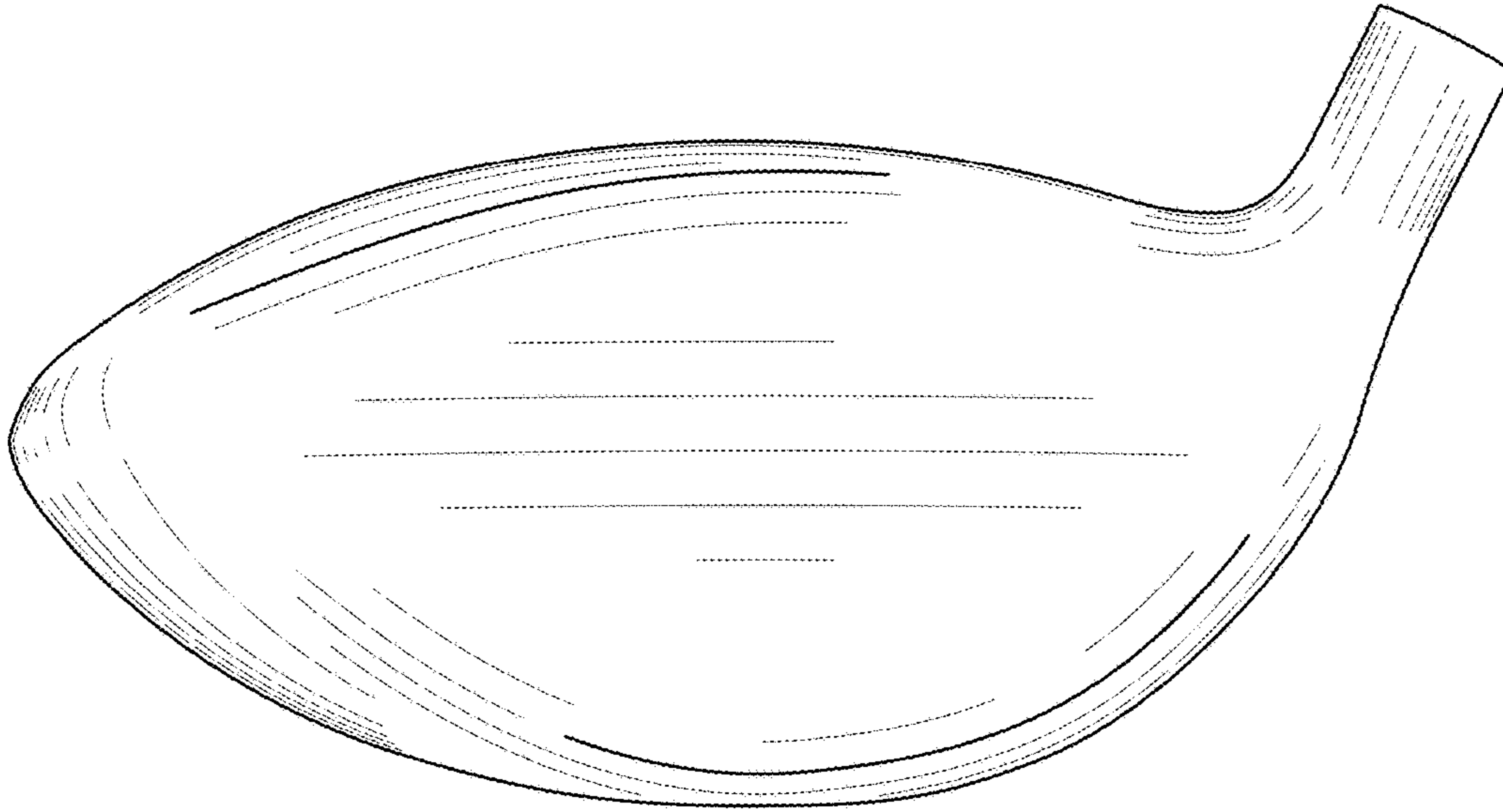


FIG. 2

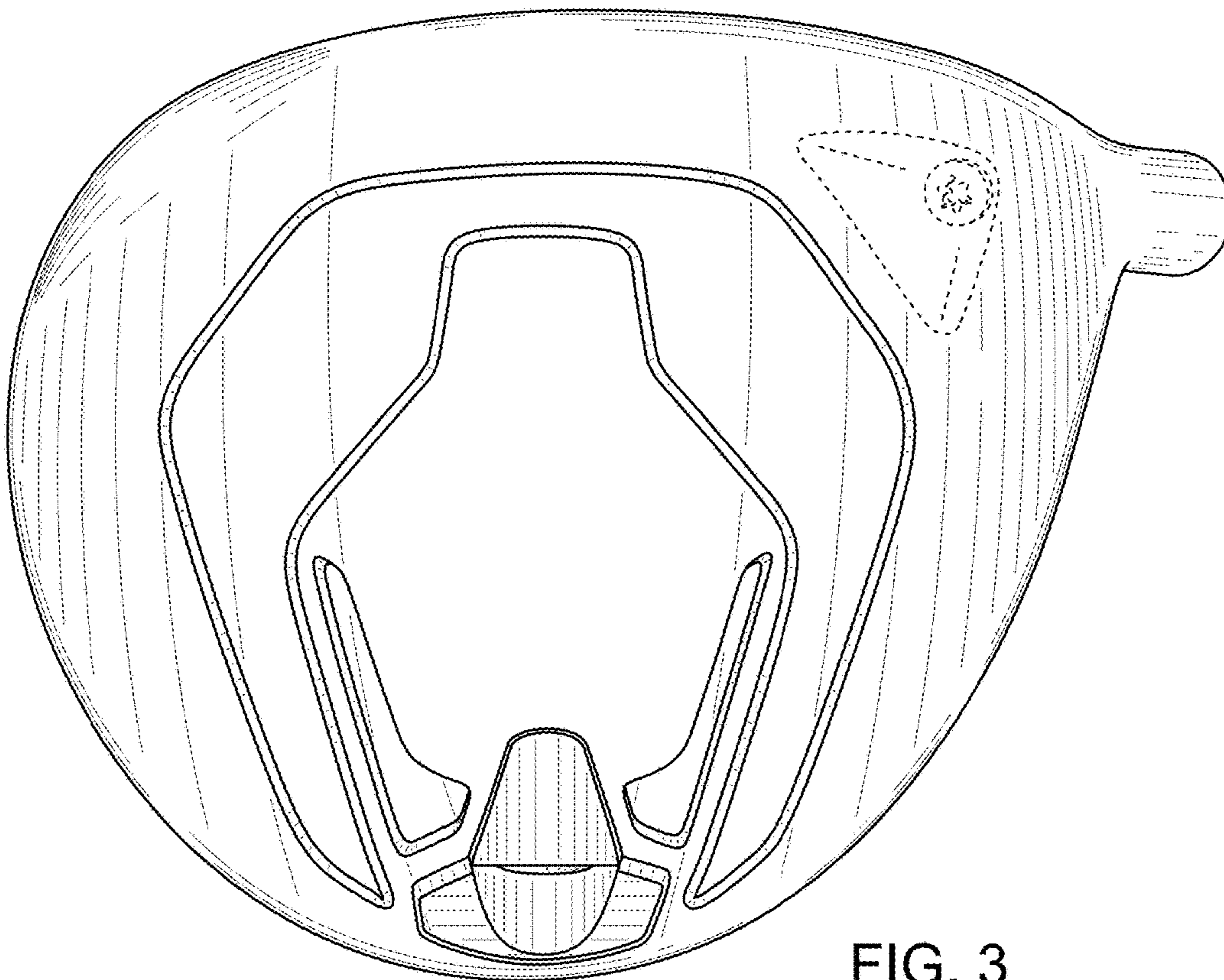


FIG. 3

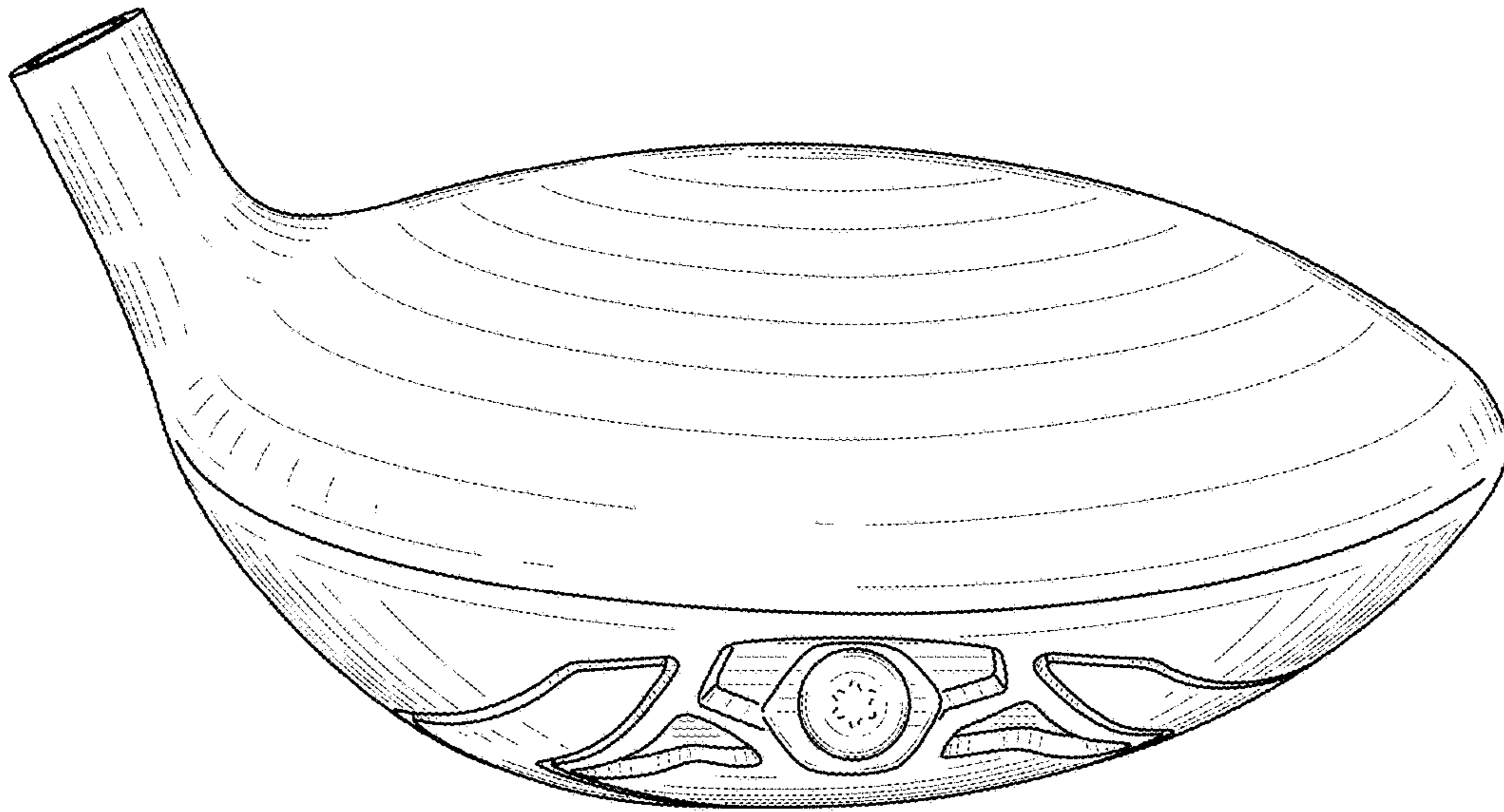


FIG. 4

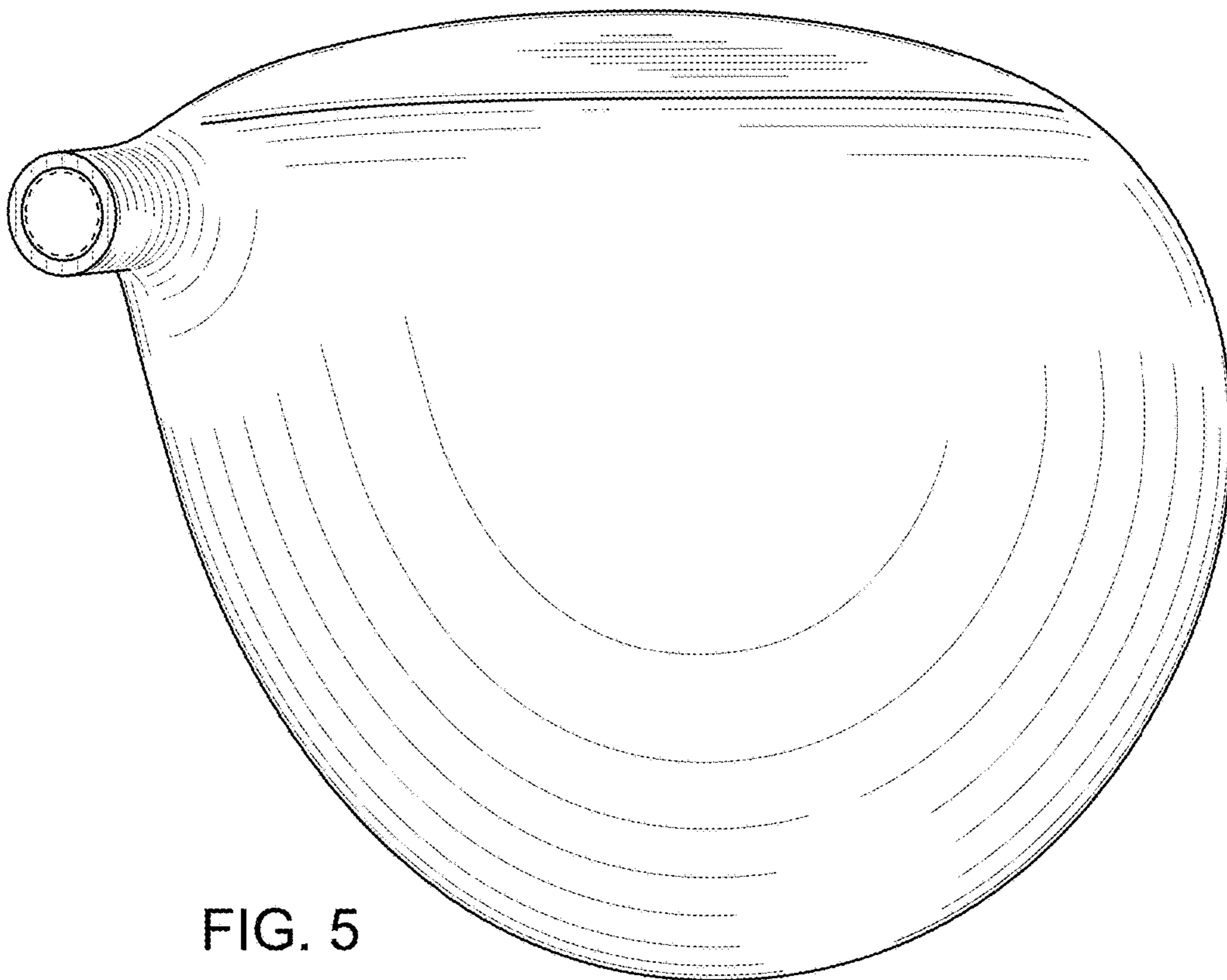


FIG. 5

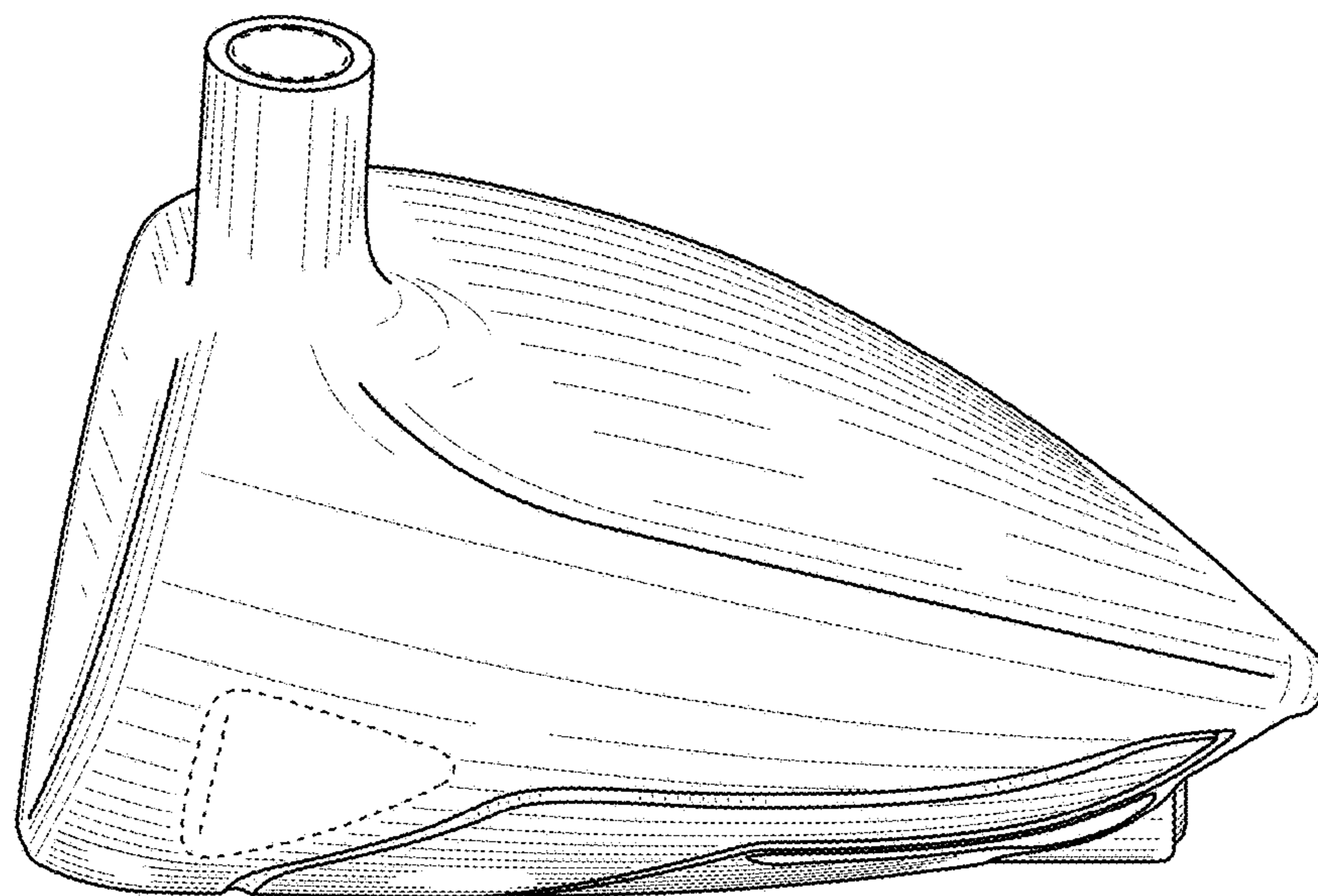


FIG. 6

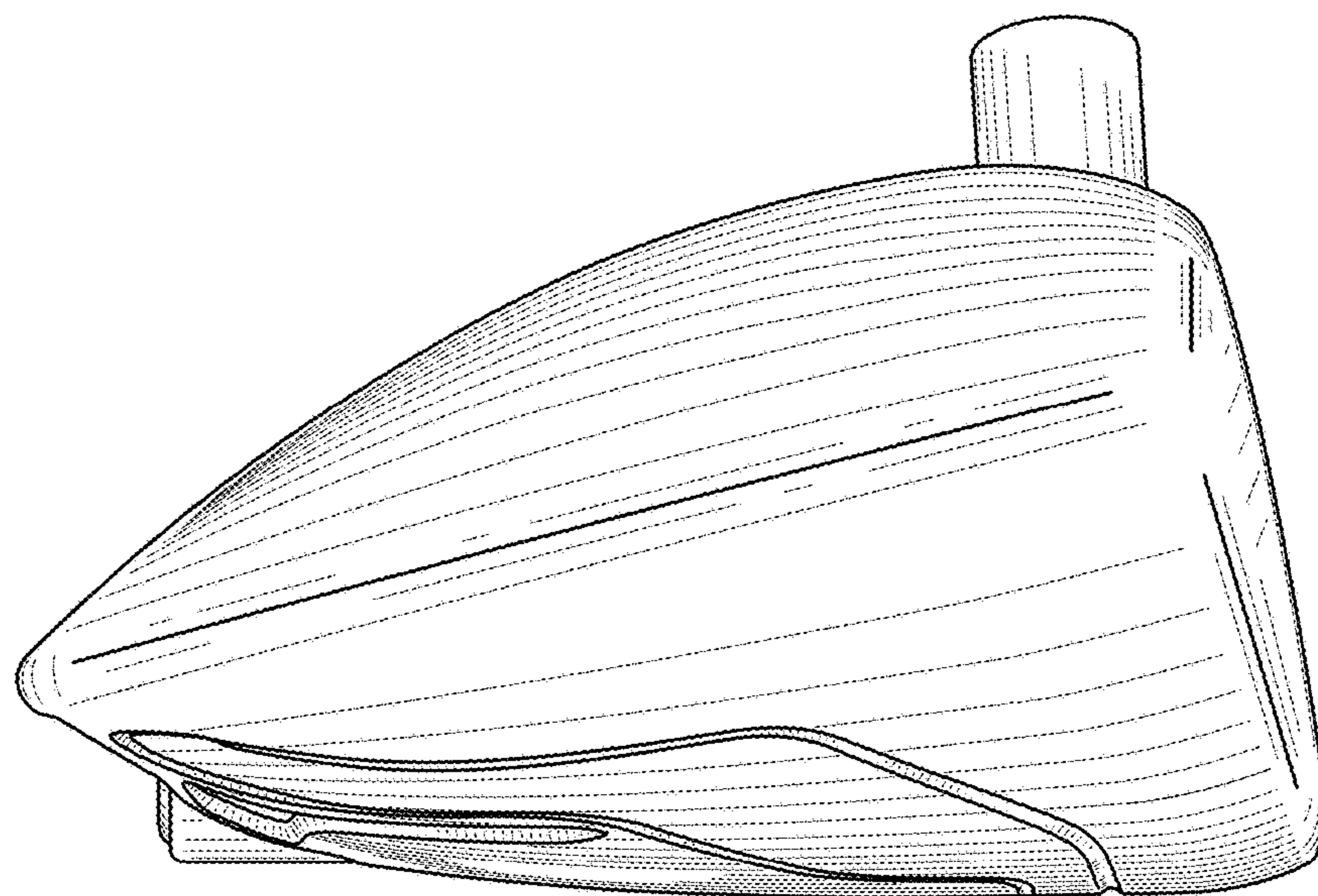


FIG. 7