



US00D867498S

(12) **United States Design Patent** (10) **Patent No.:** **US D867,498 S**  
**Broom** (45) **Date of Patent:** **\*\* Nov. 19, 2019**

- (54) **PUTTER**
- (71) Applicant: **Optic, Inc.**, Bainbridge Island, WA (US)
- (72) Inventor: **Richard P. Broom**, Bainbridge Island, WA (US)
- (73) Assignee: **Optic, Inc.**, Bainbridge, WA (US)
- (\*\*) Term: **15 Years**
- (21) Appl. No.: **29/662,746**
- (22) Filed: **Sep. 7, 2018**

5,078,398 A	1/1992	Reed et al.	
5,226,654 A	7/1993	Solheim	
5,267,733 A	12/1993	Szokola	
D350,177 S *	8/1994	Ramirez .....	D21/745
5,494,288 A	2/1996	Jimenez et al.	
D387,829 S	12/1997	Blaine	
D402,721 S	12/1998	Gurrola	
D408,066 S	4/1999	Gurrola	
D410,054 S	5/1999	Yu	
D410,267 S	5/1999	Solheim	

(Continued)

*Primary Examiner* — Mitchell I. Siegel  
(74) *Attorney, Agent, or Firm* — Lowe Graham Jones PLLC; Michael J. Folise; David A. Lowe

**Related U.S. Application Data**

- (63) Continuation-in-part of application No. 29/660,704, filed on Aug. 22, 2018.
- (51) **LOC (12) Cl.** ..... **21-02**
- (52) **U.S. Cl.**  
USPC ..... **D21/743**
- (58) **Field of Classification Search**  
USPC ..... D21/736–746, 759  
CPC ..... A63B 53/00; A63B 53/04; A63B 53/007;  
A63B 53/065; A63B 53/0487; A63B  
60/00; A63B 60/46  
See application file for complete search history.

**References Cited**

**U.S. PATENT DOCUMENTS**

3,042,405 A	7/1962	Karsten	
D254,084 S	1/1980	Hulyk	
D280,004 S	8/1985	Lyon et al.	
4,580,784 A *	4/1986	Brill .....	A63B 47/02 473/286
4,741,535 A *	5/1988	Leonhardt .....	A63B 53/0487 473/252
4,984,794 A	1/1991	Pernelle et al.	
5,014,992 A	5/1991	McCallister	

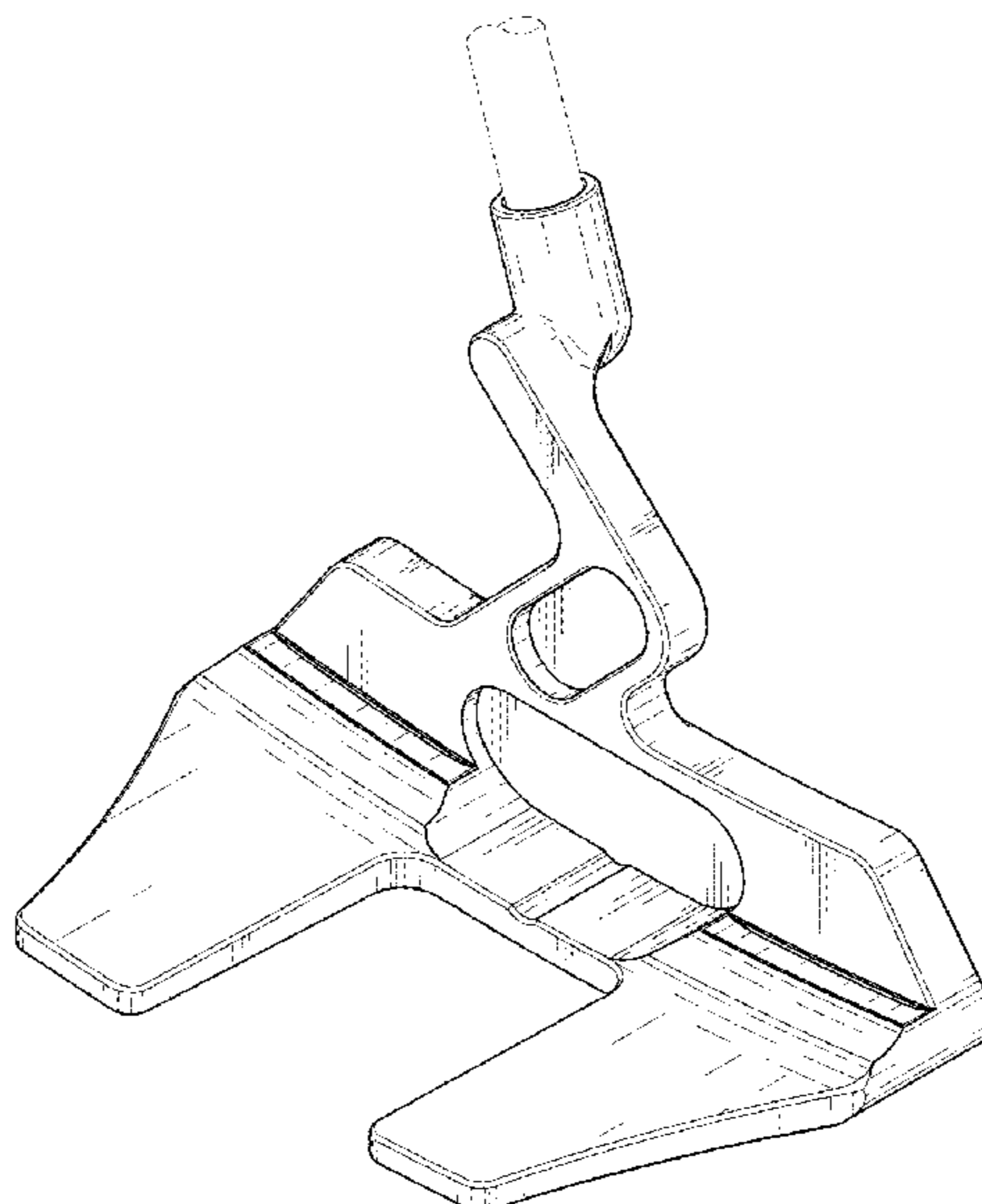
(57) **CLAIM**

The ornamental design for a putter, as shown and described.

**DESCRIPTION**

FIG. 1 is a top, right isometric view of a putter showing my new design.  
 FIG. 2 is a front elevation view thereof.  
 FIG. 3 is a rear elevation view thereof.  
 FIG. 4 is a top plan view thereof.  
 FIG. 5 is a bottom plan view thereof.  
 FIG. 6 is a left side elevation view thereof.  
 FIG. 7 is a right side elevation view thereof.  
 FIG. 8 is a top, right isometric view of a second embodiment thereof.  
 FIG. 9 is a front elevation view of FIG. 8.  
 FIG. 10 is a rear elevation view of FIG. 8.  
 FIG. 11 is a top plan view of FIG. 8.  
 FIG. 12 is a bottom plan view of FIG. 8.  
 FIG. 13 is a left side elevation view of FIG. 8; and,  
 FIG. 14 is a right side elevation view of FIG. 8.  
 The broken lines shown are included for the purpose of illustrating unclaimed subject matter and forms no part of the claimed design.

**1 Claim, 8 Drawing Sheets**



(56)

References Cited

U.S. PATENT DOCUMENTS

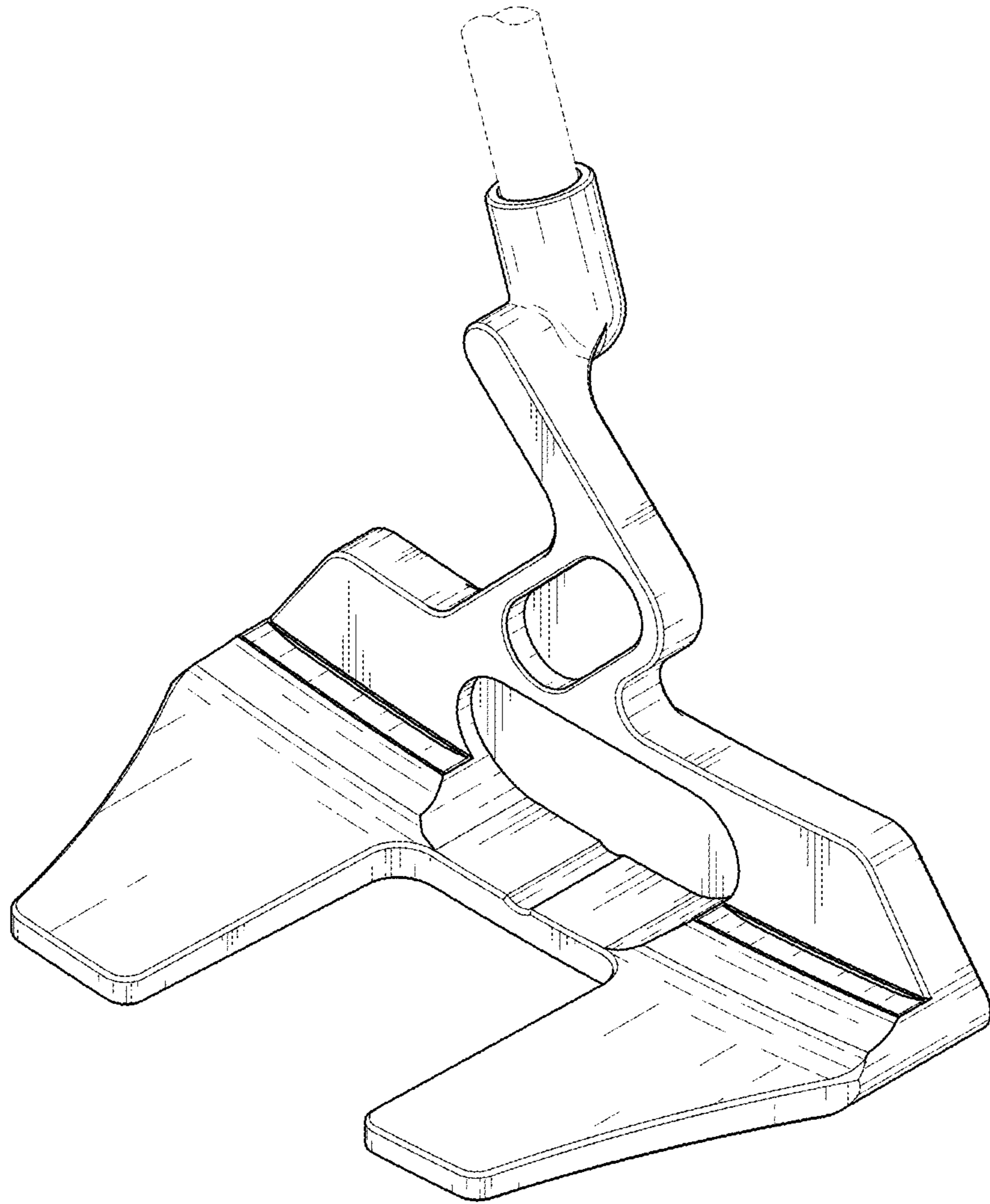
5,916,035 A \* 6/1999 Caiozzo ..... A63B 53/0487  
473/252

5,961,400 A 10/1999 Broom  
D417,710 S 12/1999 Broom  
D432,608 S \* 10/2000 Broom ..... D21/744  
D438,923 S \* 3/2001 Broom ..... D21/744  
D495,018 S 8/2004 Ruffin  
6,878,071 B1 \* 4/2005 Schwieger ..... A63B 47/02  
294/19.2

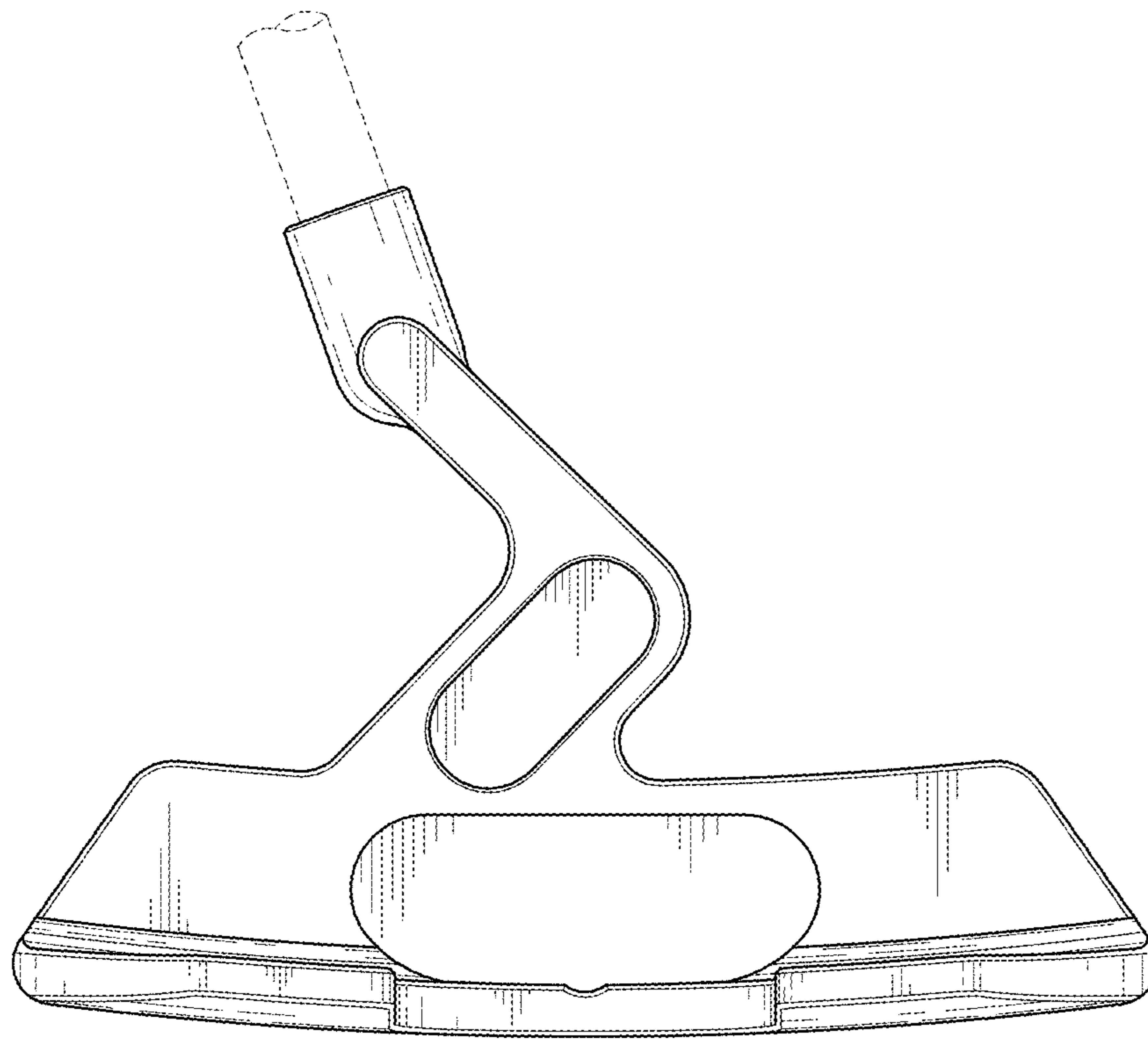
D532,844 S \* 11/2006 Rollinson ..... D21/736  
D532,845 S \* 11/2006 Rollinson ..... D21/736  
D556,277 S 11/2007 Broom  
D564,607 S \* 3/2008 Oldknow ..... D21/736  
D566,277 S 4/2008 Barry  
D568,954 S \* 5/2008 Oldknow ..... D21/759  
D574,908 S \* 8/2008 Hettinger ..... D21/743  
D582,497 S \* 12/2008 Rollinson ..... D21/744  
D590,461 S \* 4/2009 Kim ..... D21/743  
D591,807 S \* 5/2009 Rollinson ..... D21/744  
D603,006 S \* 10/2009 Foster ..... D21/736  
D604,787 S \* 11/2009 Hopkins ..... D21/736  
D631,925 S \* 2/2011 Broom ..... D21/743

D636,829 S \* 4/2011 Cardani ..... D21/759  
D670,774 S \* 11/2012 Seiff ..... D21/736  
D684,643 S 6/2013 Kim  
D688,341 S \* 8/2013 Rollinson ..... D21/746  
D691,226 S \* 10/2013 Hilton ..... D21/746  
D728,715 S \* 5/2015 Cameron ..... D21/736  
D741,427 S \* 10/2015 Broom ..... D21/743  
D741,968 S \* 10/2015 Broom ..... D21/743  
D768,248 S \* 10/2016 Rollinson ..... D21/744  
D771,208 S \* 11/2016 Bettinardi ..... D21/744  
D773,573 S \* 12/2016 Abbott ..... D21/744  
D799,617 S \* 10/2017 Becktor ..... D21/742  
D801,457 S \* 10/2017 Lewis ..... D21/736  
D807,453 S \* 1/2018 Serrano ..... D21/743  
D812,164 S \* 3/2018 Parsons ..... D21/742  
D813,963 S \* 3/2018 Lapuz ..... D21/742  
D815,222 S \* 4/2018 Serrano ..... D21/743  
D819,762 S \* 6/2018 Broom ..... D21/743  
D820,924 S \* 6/2018 Cameron ..... D21/736  
D820,925 S \* 6/2018 Cameron ..... D21/736  
D832,381 S \* 10/2018 Serrano ..... D21/743  
D832,951 S \* 11/2018 Broom ..... D21/746  
D844,722 S \* 4/2019 Wang ..... D21/736  
D846,047 S \* 4/2019 Hilton ..... D21/744  
10,300,348 B2 \* 5/2019 Morris ..... A63B 47/02

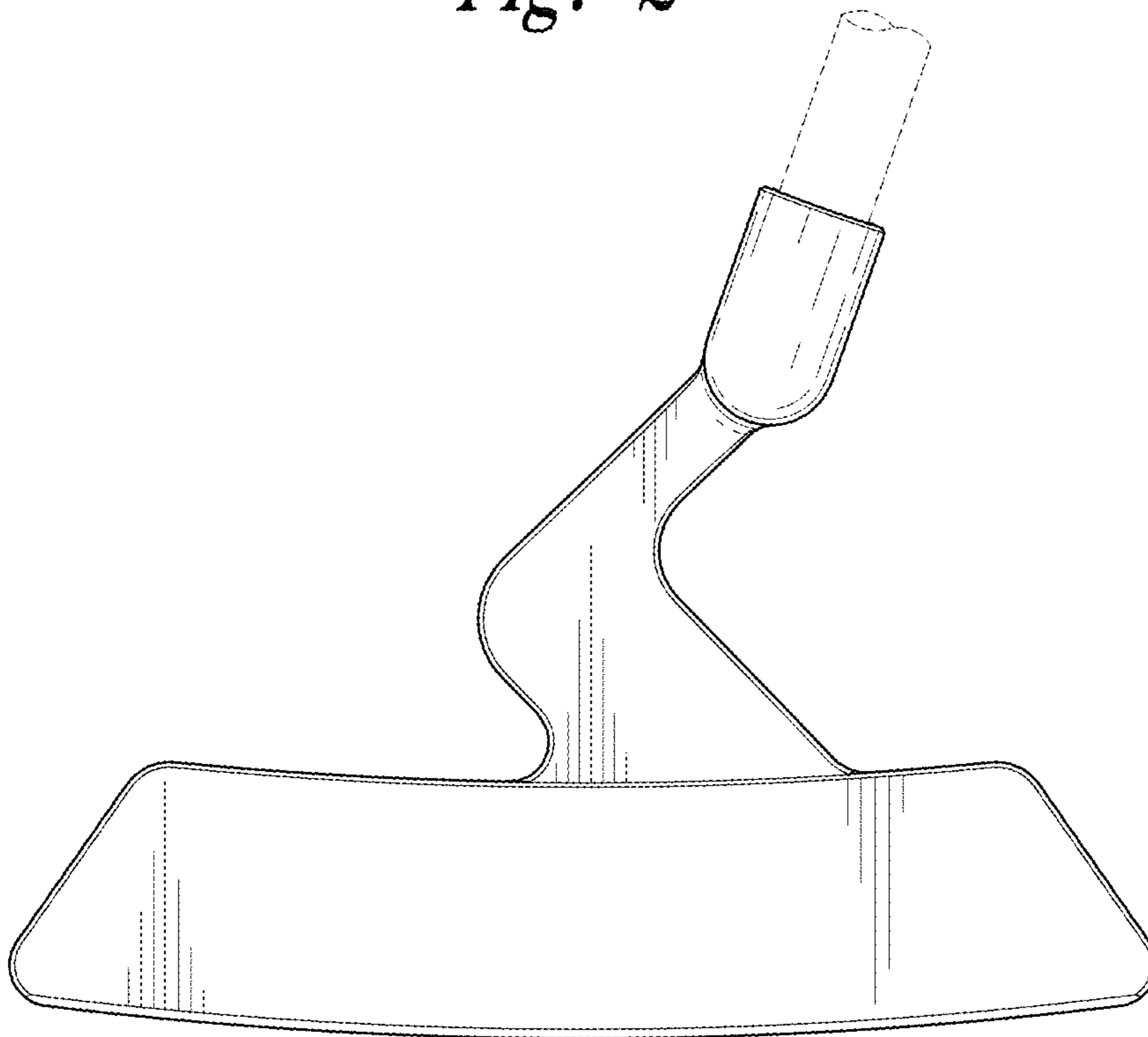
\* cited by examiner



*Fig. 1*

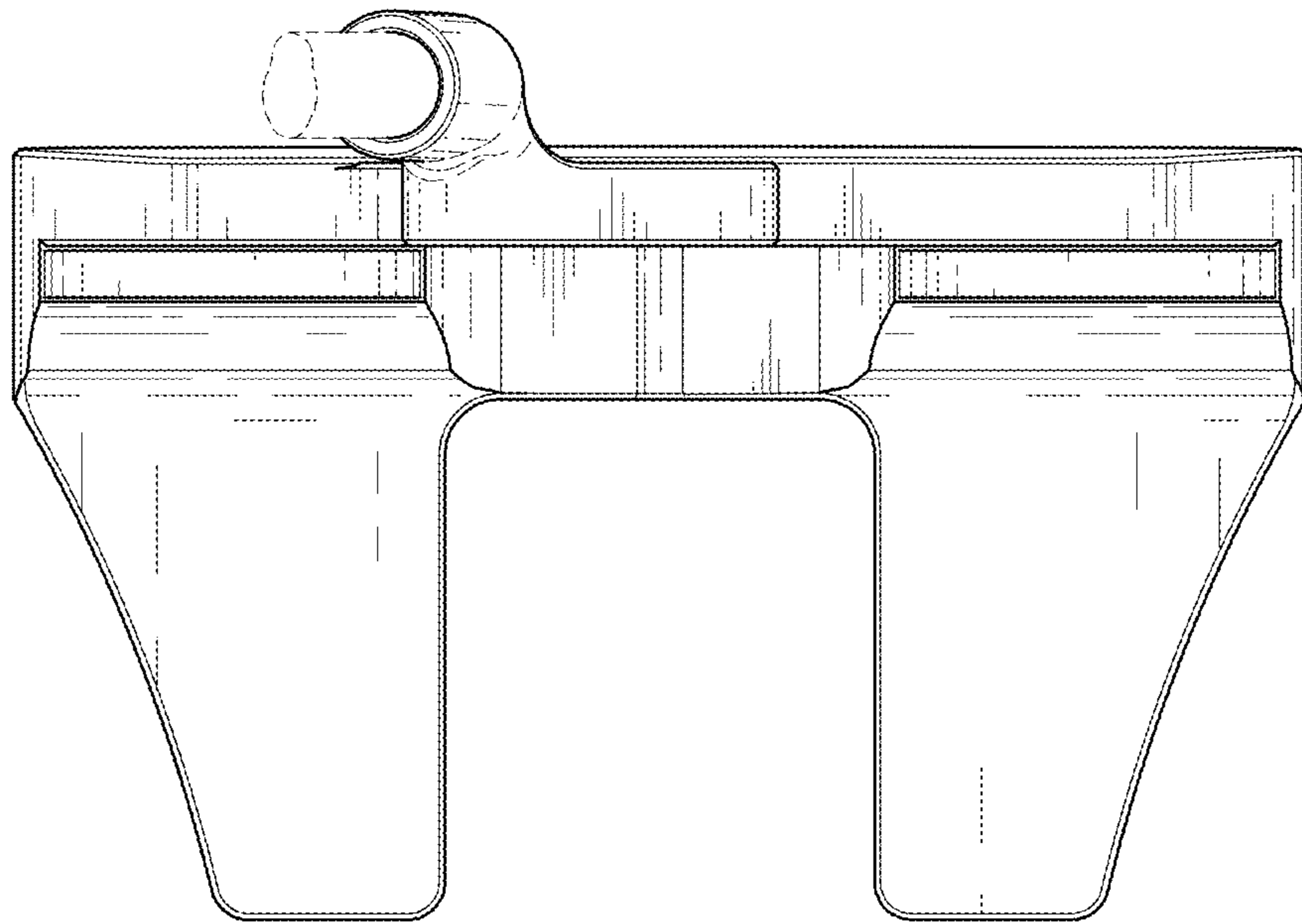


*Fig. 2*

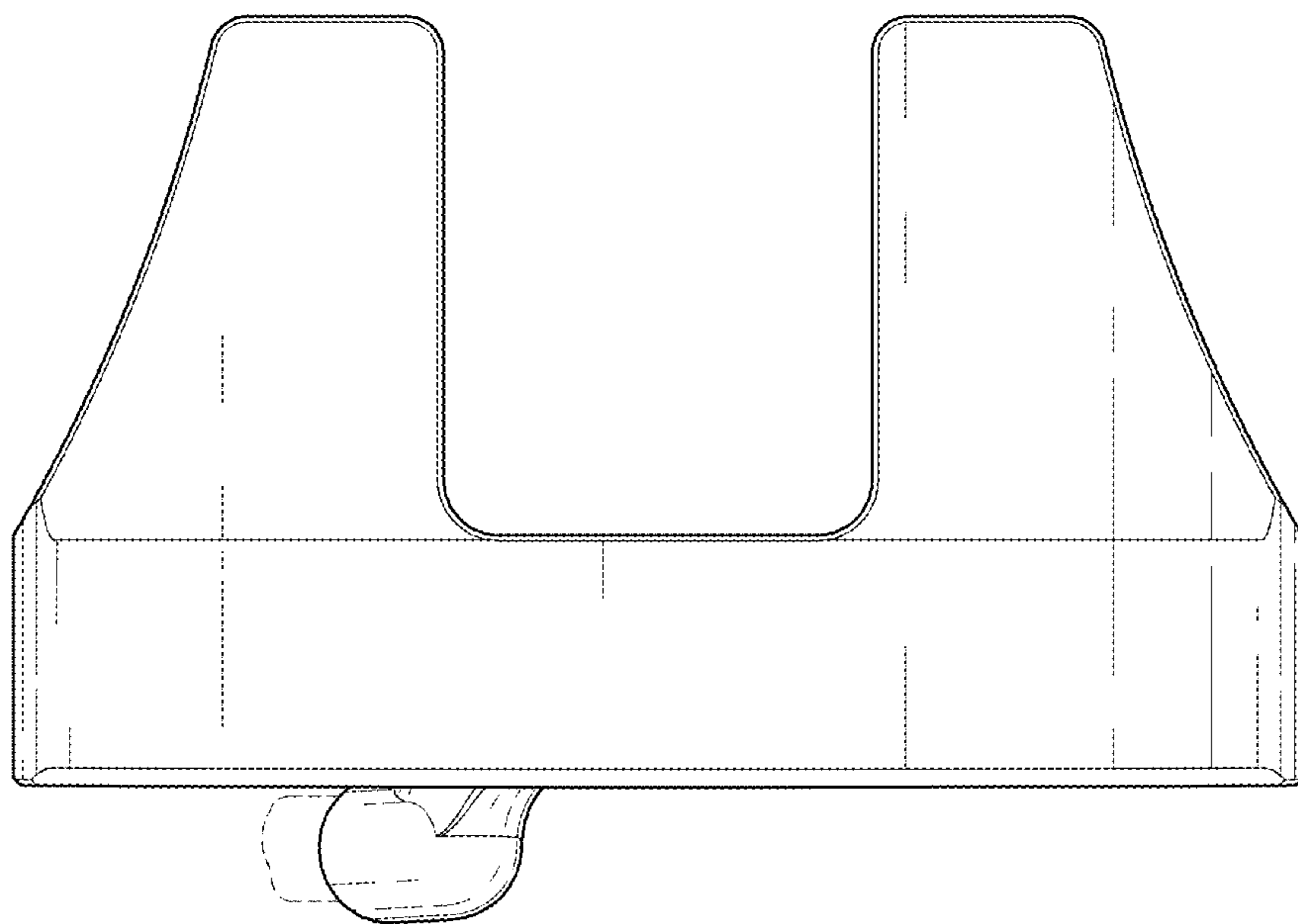


*Fig. 3*

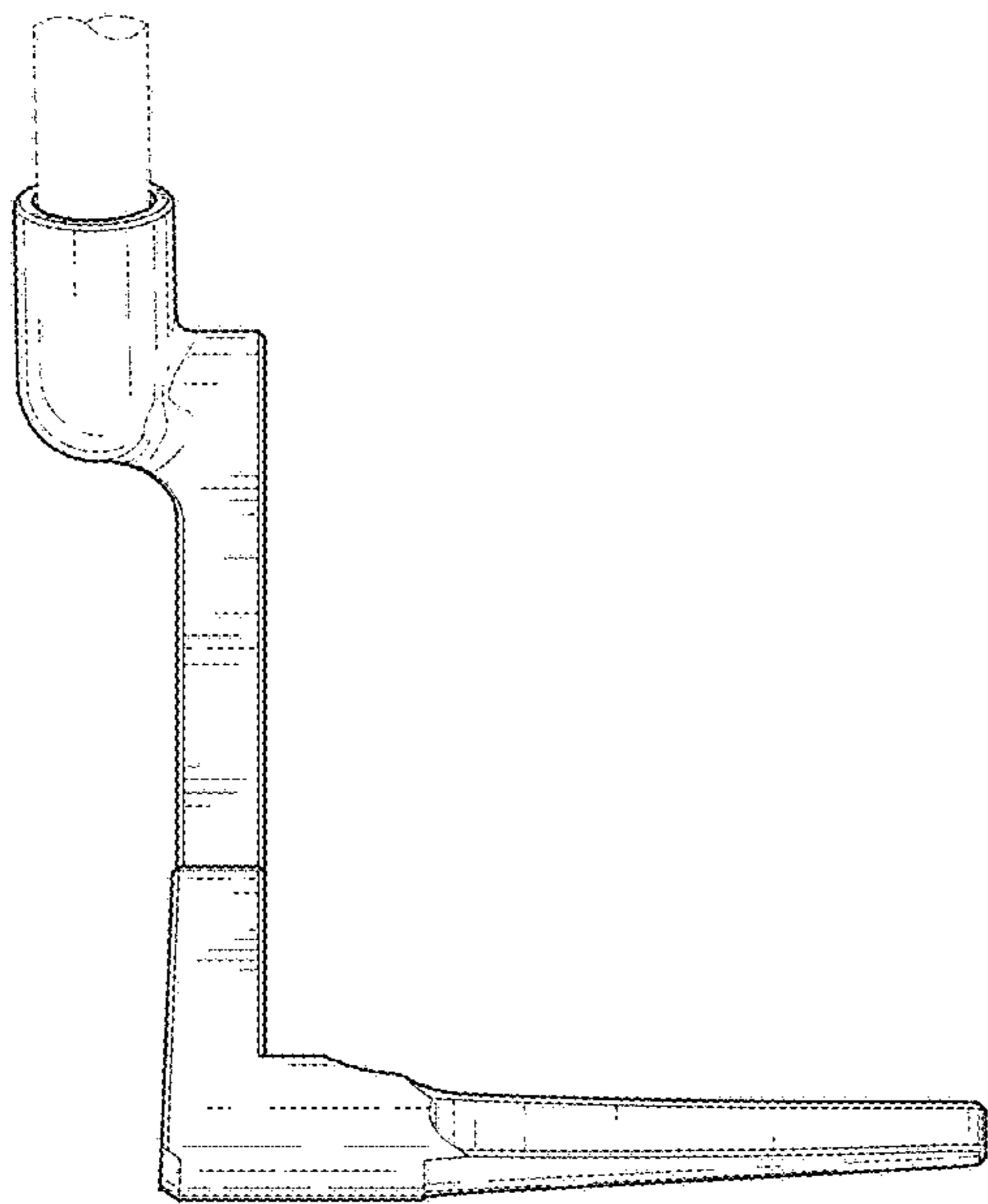




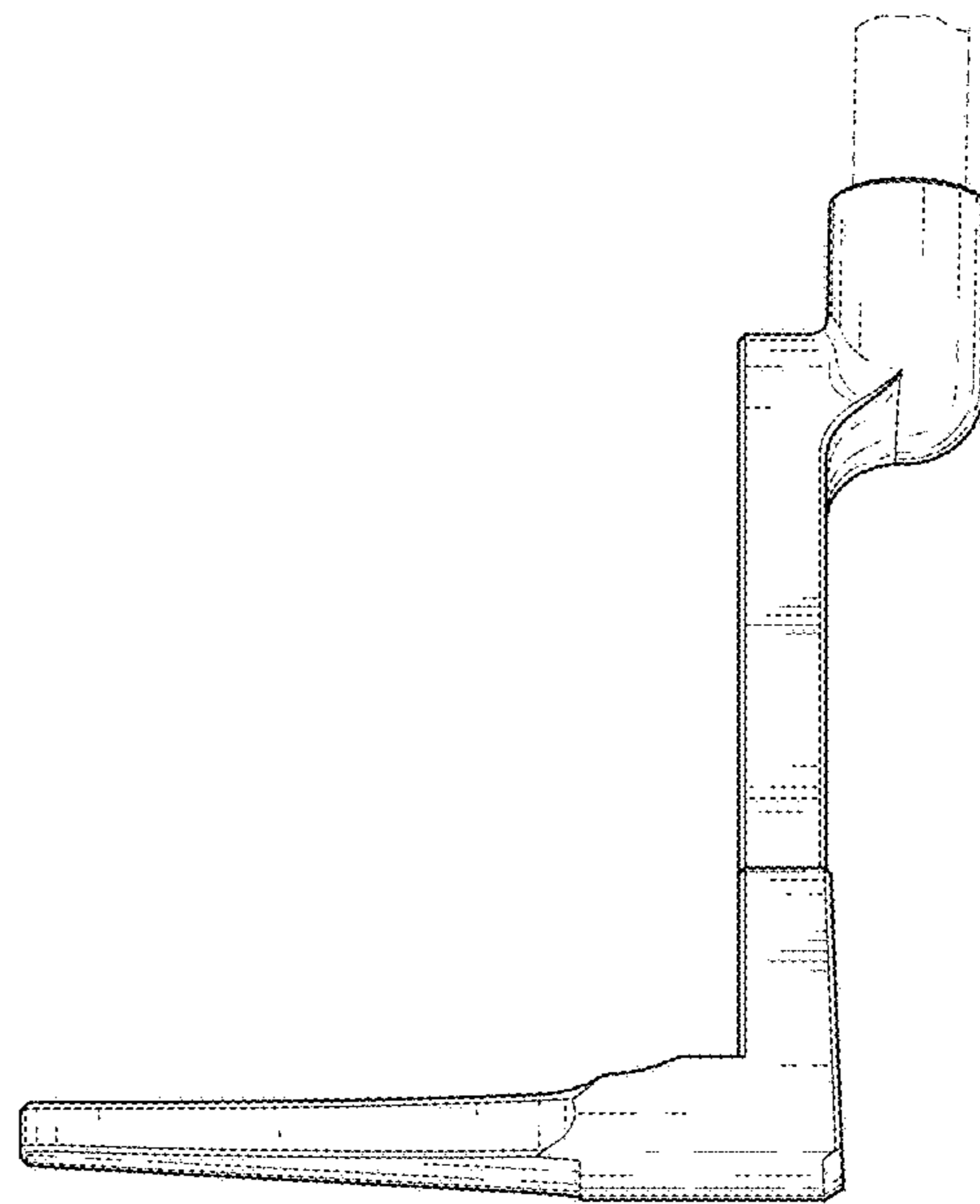
*Fig. 4*



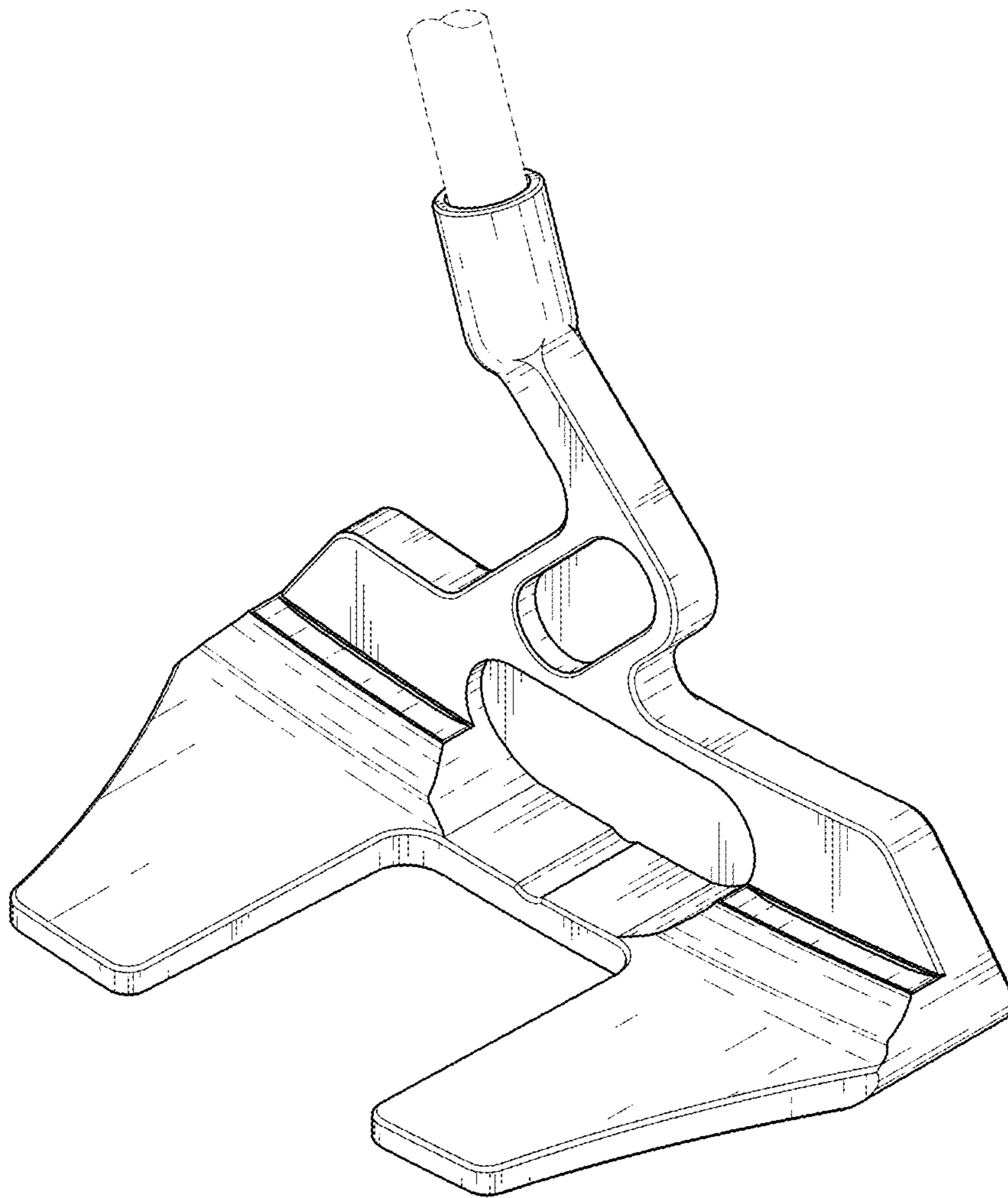
*Fig. 5*



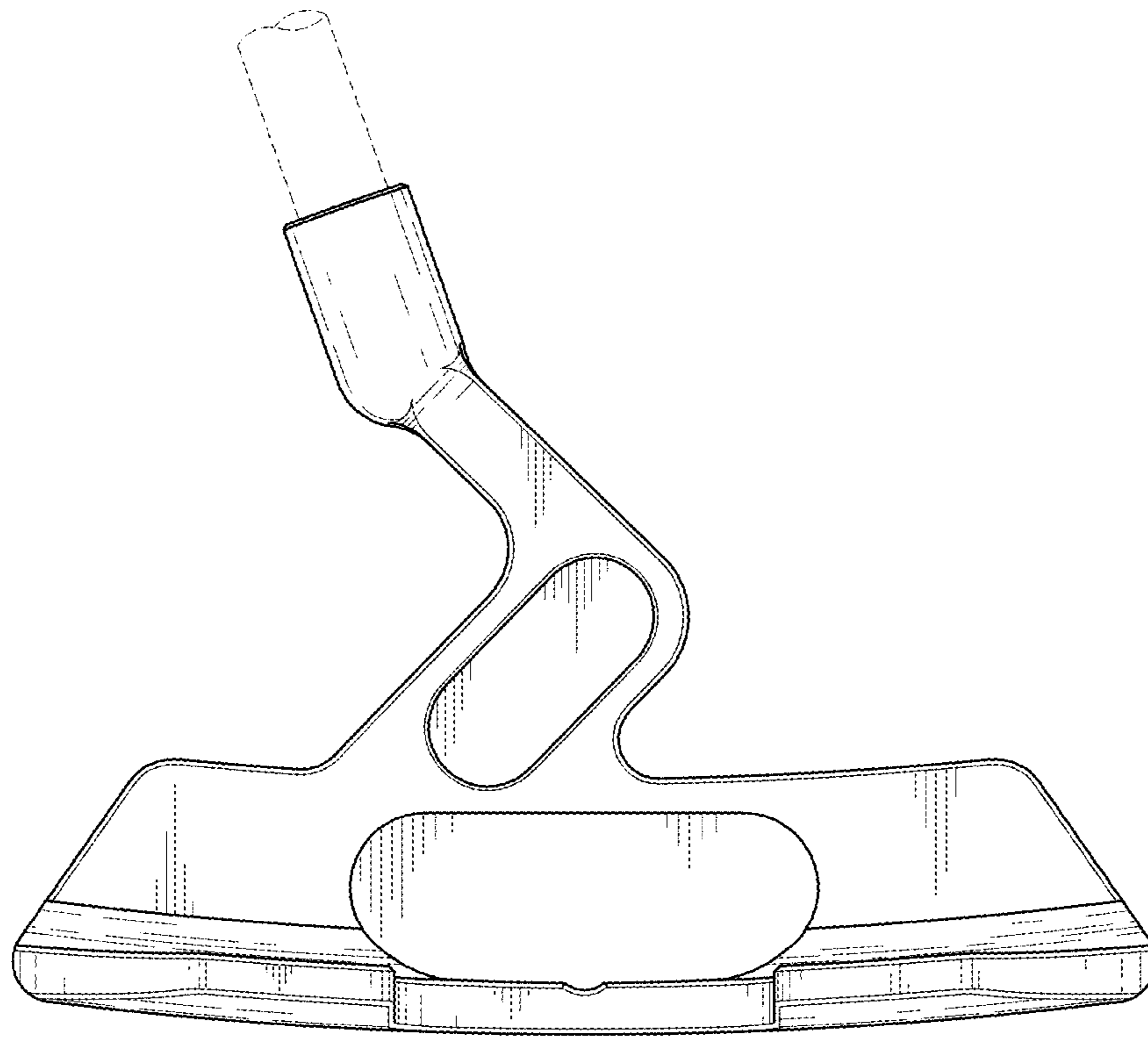
*Fig. 6*



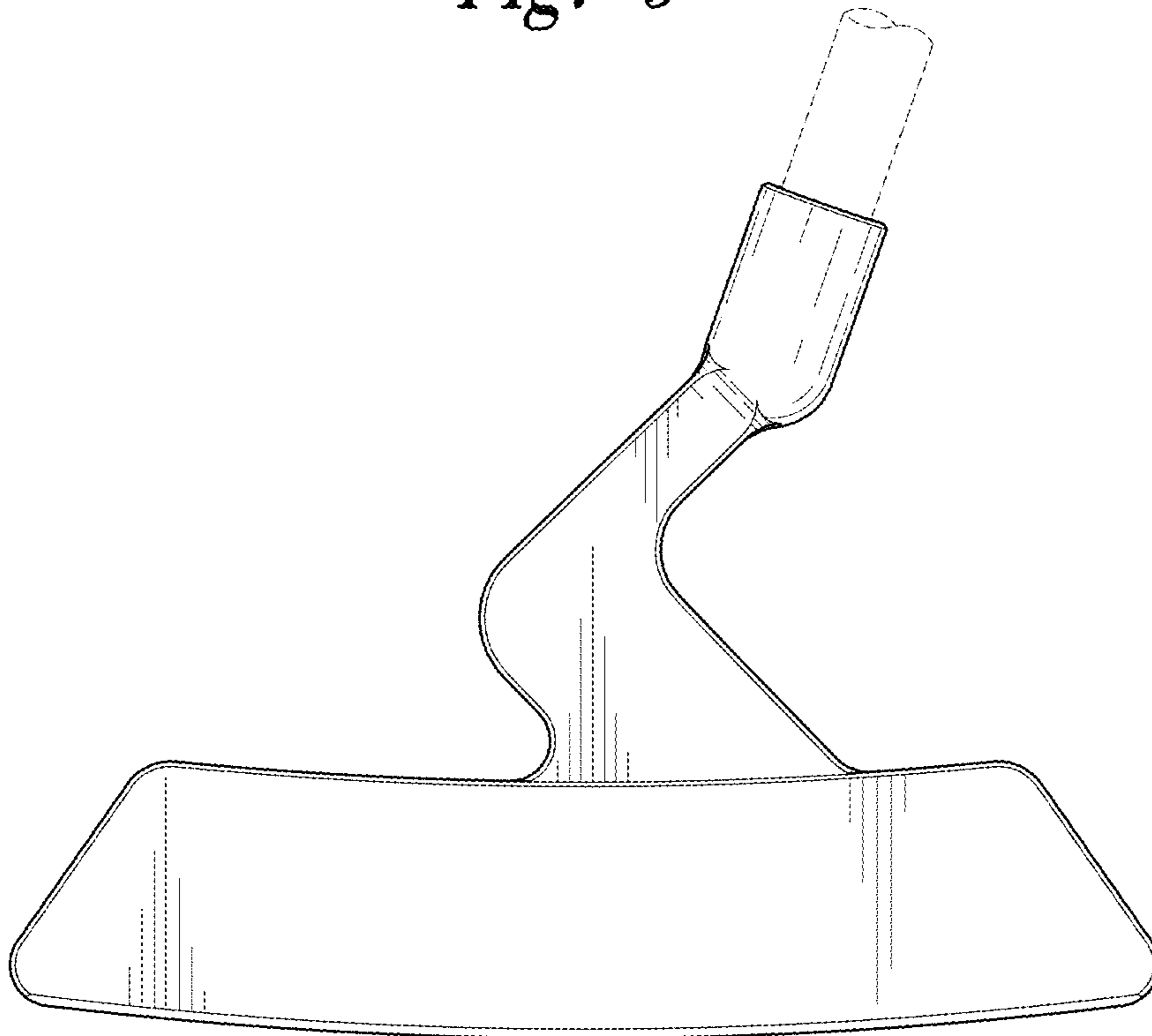
*Fig. 7*



*Fig. 8*

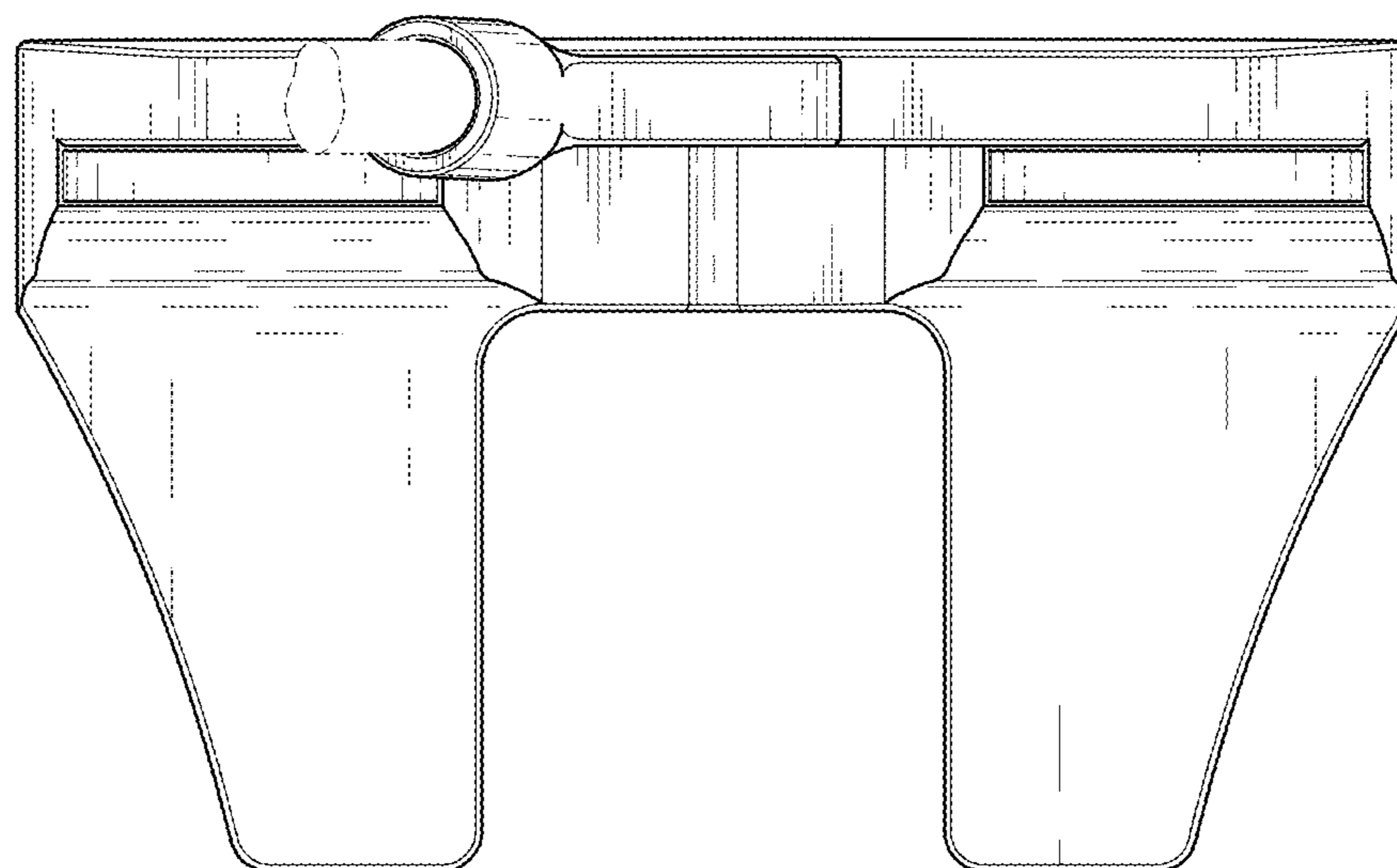


*Fig. 9*

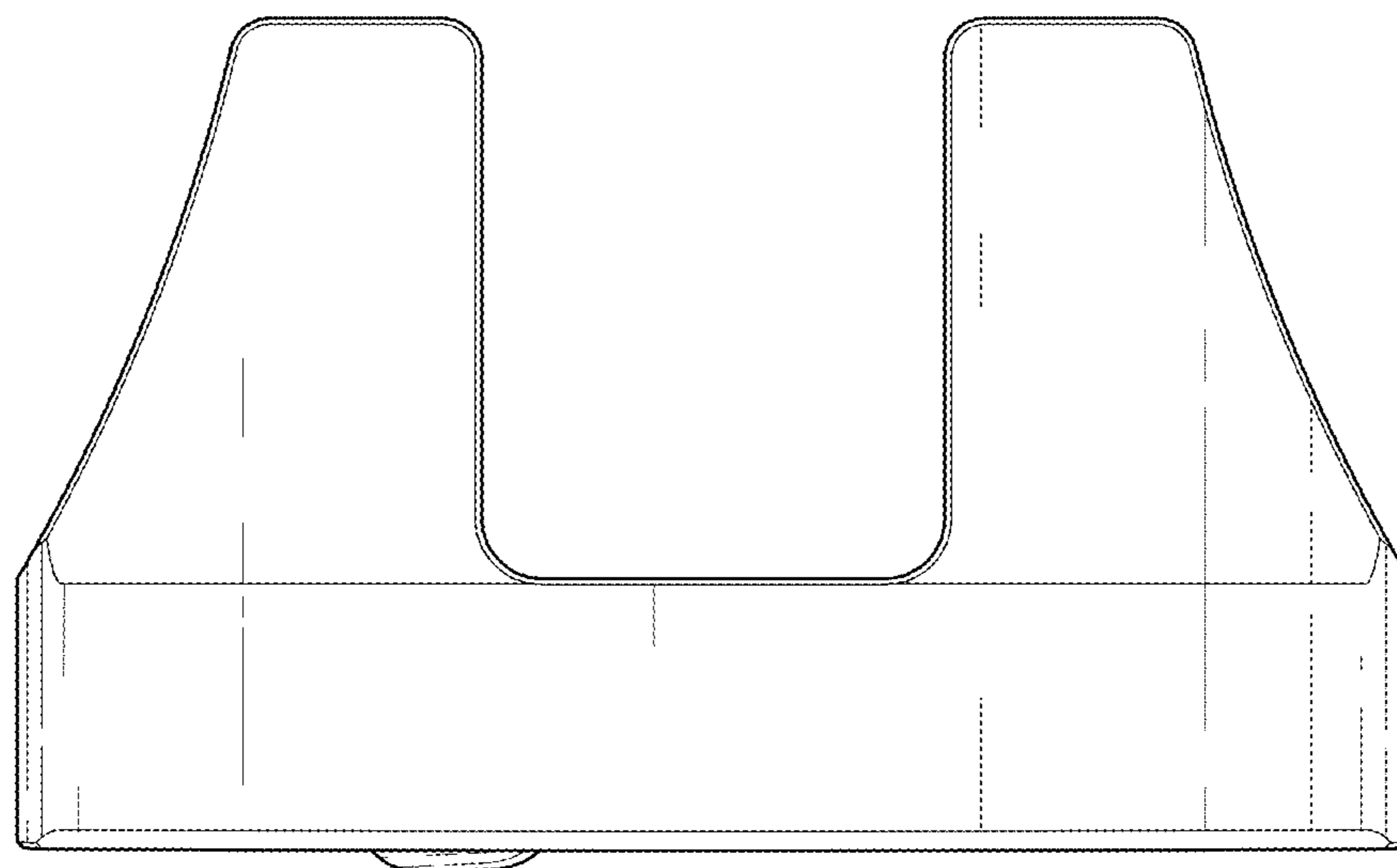


*Fig. 10*

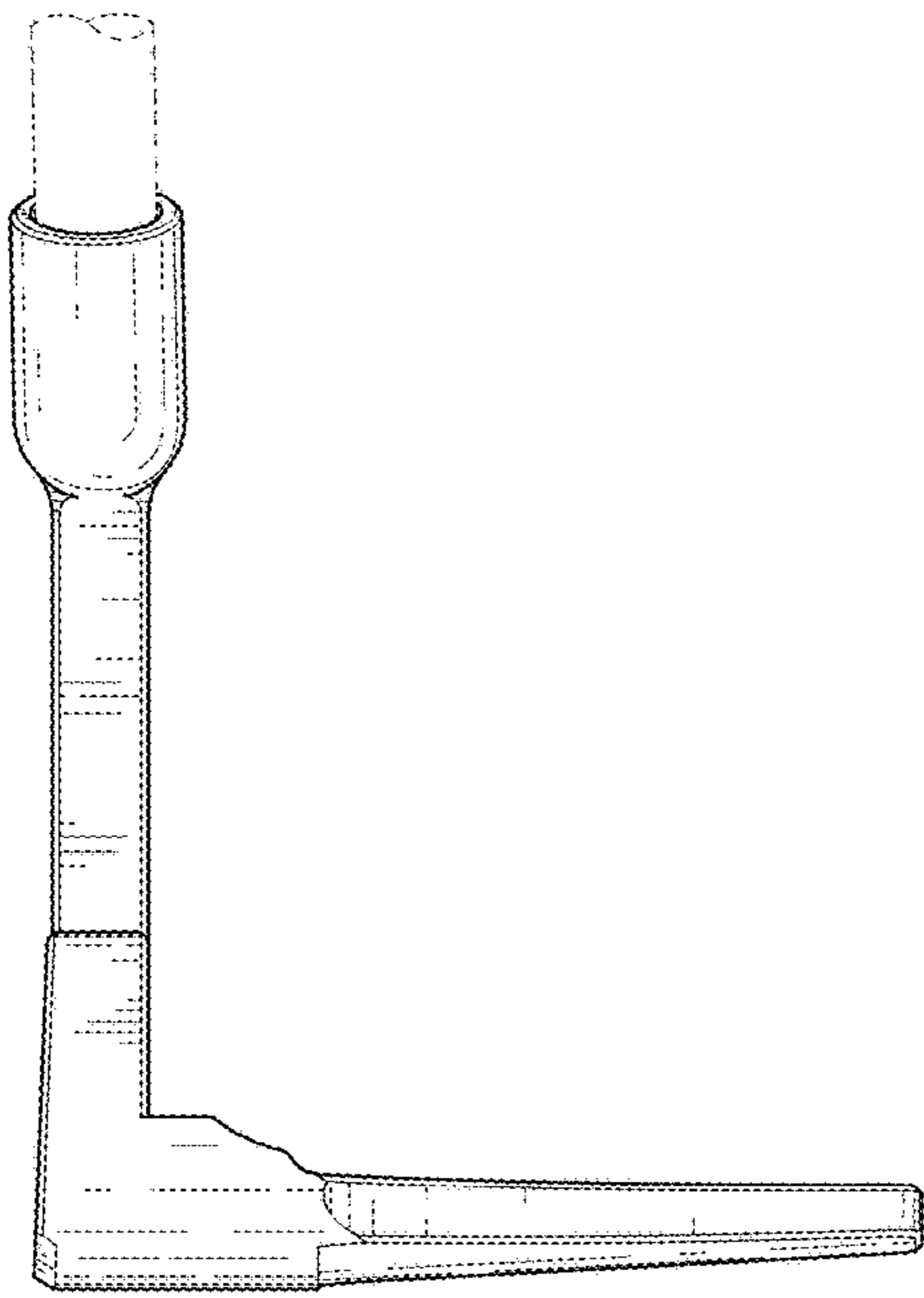




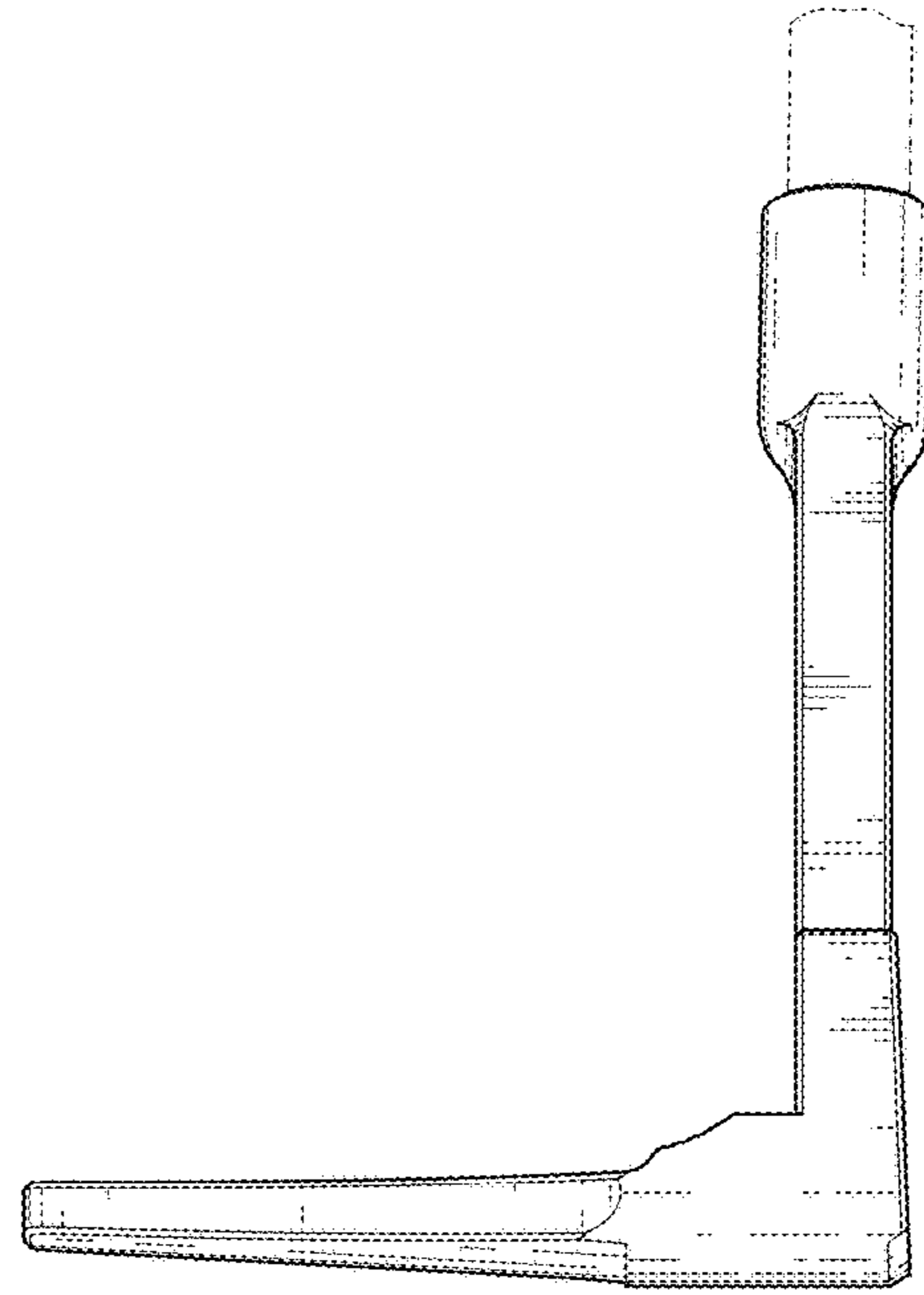
*Fig. 11*



*Fig. 12*



*Fig. 13*



*Fig. 14*