

US00D867497S

(12) **United States Design Patent** (10) **Patent No.:** **US D867,497 S**  
**Broom** (45) **Date of Patent:** **\*\* Nov. 19, 2019**

(54) **PUTTER** D410,267 S 5/1999 Solheim  
5,916,035 A \* 6/1999 Caiozzo ..... A63B 53/0487  
473/252  
(71) Applicant: **Optic, Inc.**, Bainbridge Island, WA (US) 5,961,400 A 10/1999 Broom  
D417,710 S 12/1999 Broom  
D432,608 S \* 10/2000 Broom ..... D21/744  
(72) Inventor: **Richard P. Broom**, Bainbridge Island, WA (US) D438,923 S \* 3/2001 Broom ..... D21/744  
D495,018 S 8/2004 Ruffin  
6,878,071 B1 \* 4/2005 Schwieger ..... A63B 47/02  
294/19.2

(73) Assignee: **Optic, Inc.**, Bainbridge, WA (US)

(\*\*) Term: **15 Years**

(21) Appl. No.: **29/660,752**

(22) Filed: **Aug. 22, 2018**

(51) **LOC (12) Cl.** ..... **21-02**

(52) **U.S. Cl.**  
USPC ..... **D21/743**

(58) **Field of Classification Search**  
USPC ..... D21/736-746, 759  
CPC ..... A63B 53/00; A63B 53/04; A63B 53/007;  
A63B 53/065; A63B 53/0487; A63B  
60/00; A63B 60/46

See application file for complete search history.

(56) **References Cited**

**U.S. PATENT DOCUMENTS**

3,042,405 A 7/1962 Karsten  
D254,084 S 1/1980 Hulyk  
D280,004 S 8/1985 Lyon et al.  
4,580,784 A \* 4/1986 Brill ..... A63B 47/02  
473/286  
4,984,794 A 1/1991 Pernelle et al.  
5,014,992 A 5/1991 McCallister  
5,078,398 A 1/1992 Reed et al.  
5,226,654 A 7/1993 Solheim  
5,267,733 A 12/1993 Szokola  
5,494,288 A 2/1996 Jimenez et al.  
D387,829 S 12/1997 Blaine  
D402,721 S 12/1998 Gurrola  
D408,066 S 4/1999 Gurrola  
D410,054 S 5/1999 Yu

(Continued)

*Primary Examiner* — Mitchell I. Siegel

(74) *Attorney, Agent, or Firm* — Lowe Graham Jones PLLC; Michael J. Folise; David A. Lowe

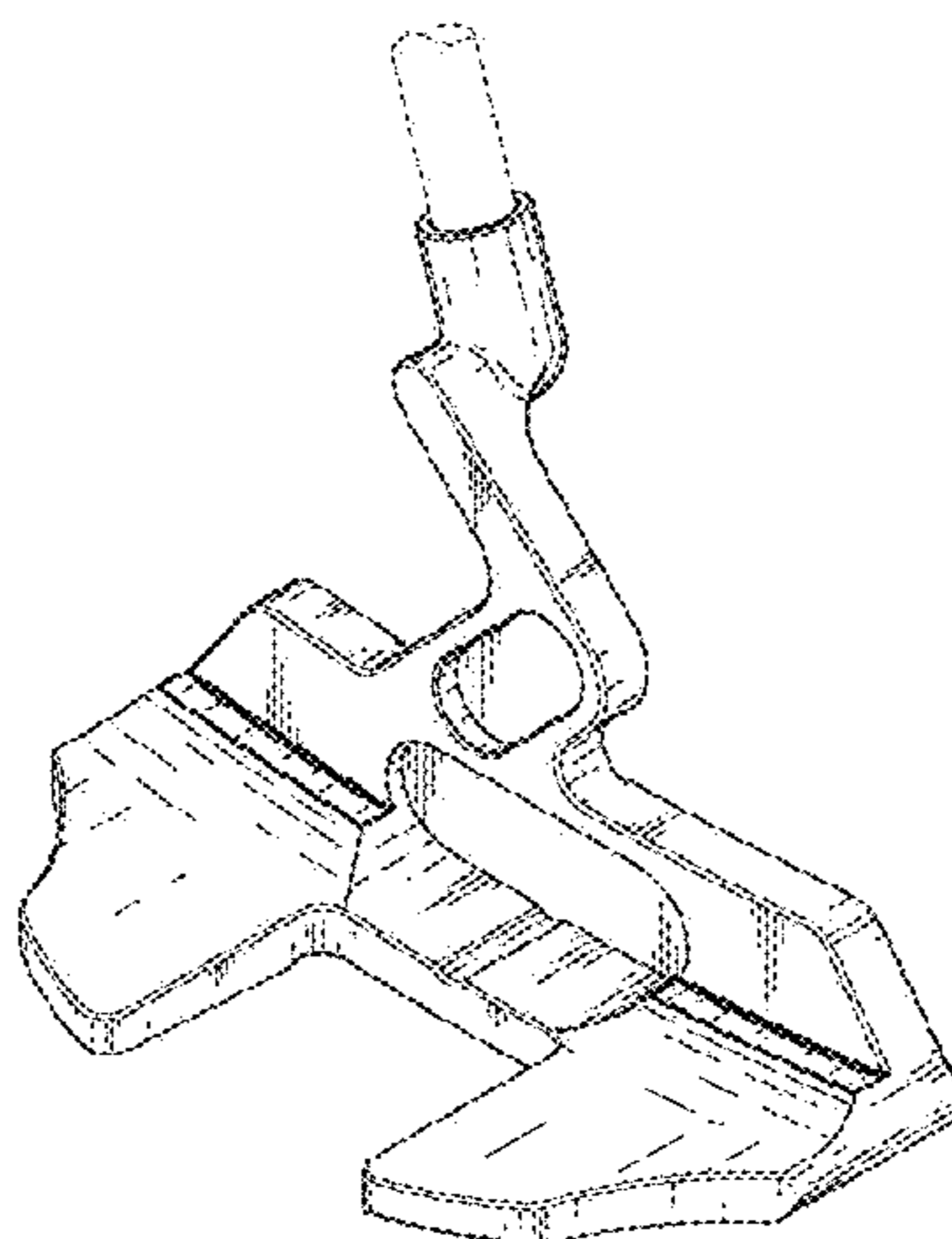
(57) **CLAIM**

The ornamental design for a putter, as shown and described.

**DESCRIPTION**

FIG. 1 is a top, right isometric view of a putter showing my new design.  
FIG. 2 is a front elevation view thereof.  
FIG. 3 is a rear elevation view thereof.  
FIG. 4 is a top plan view thereof.  
FIG. 5 is a bottom plan view thereof.  
FIG. 6 is a left side elevation view thereof.  
FIG. 7 is a right side elevation view thereof.  
FIG. 8 is a top, right isometric view of a second embodiment thereof.  
FIG. 9 is a front elevation view of FIG. 8.  
FIG. 10 is a rear elevation view of FIG. 8.  
FIG. 11 is a top plan view of FIG. 8.  
FIG. 12 is a bottom plan view of FIG. 8.  
FIG. 13 is a left side elevation view of FIG. 8; and,  
FIG. 14 is a right side elevation view of FIG. 8.  
The broken lines shown are included for the purpose of illustrating unclaimed subject matter and forms no part of the claimed design.

**1 Claim, 8 Drawing Sheets**



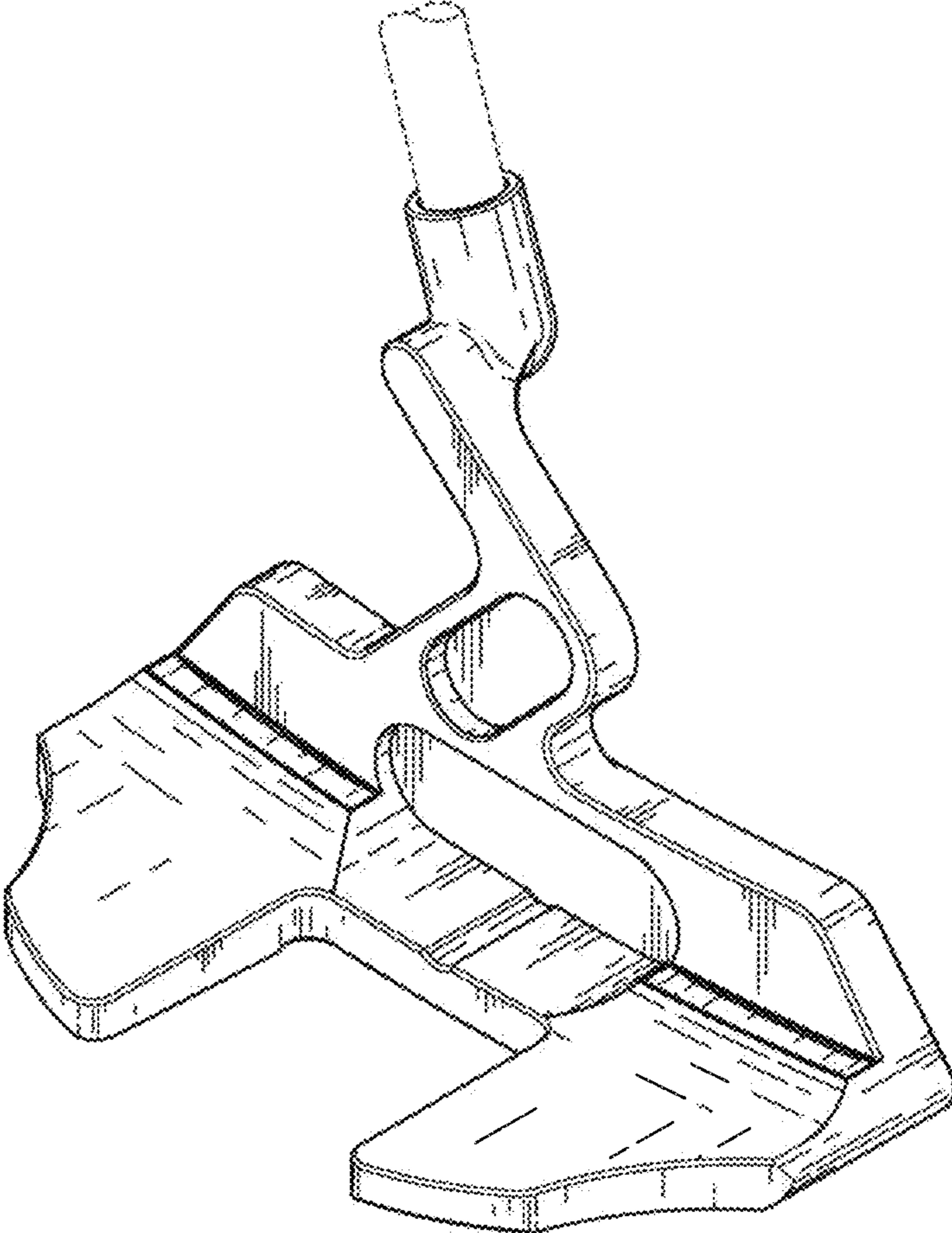
(56)

**References Cited**

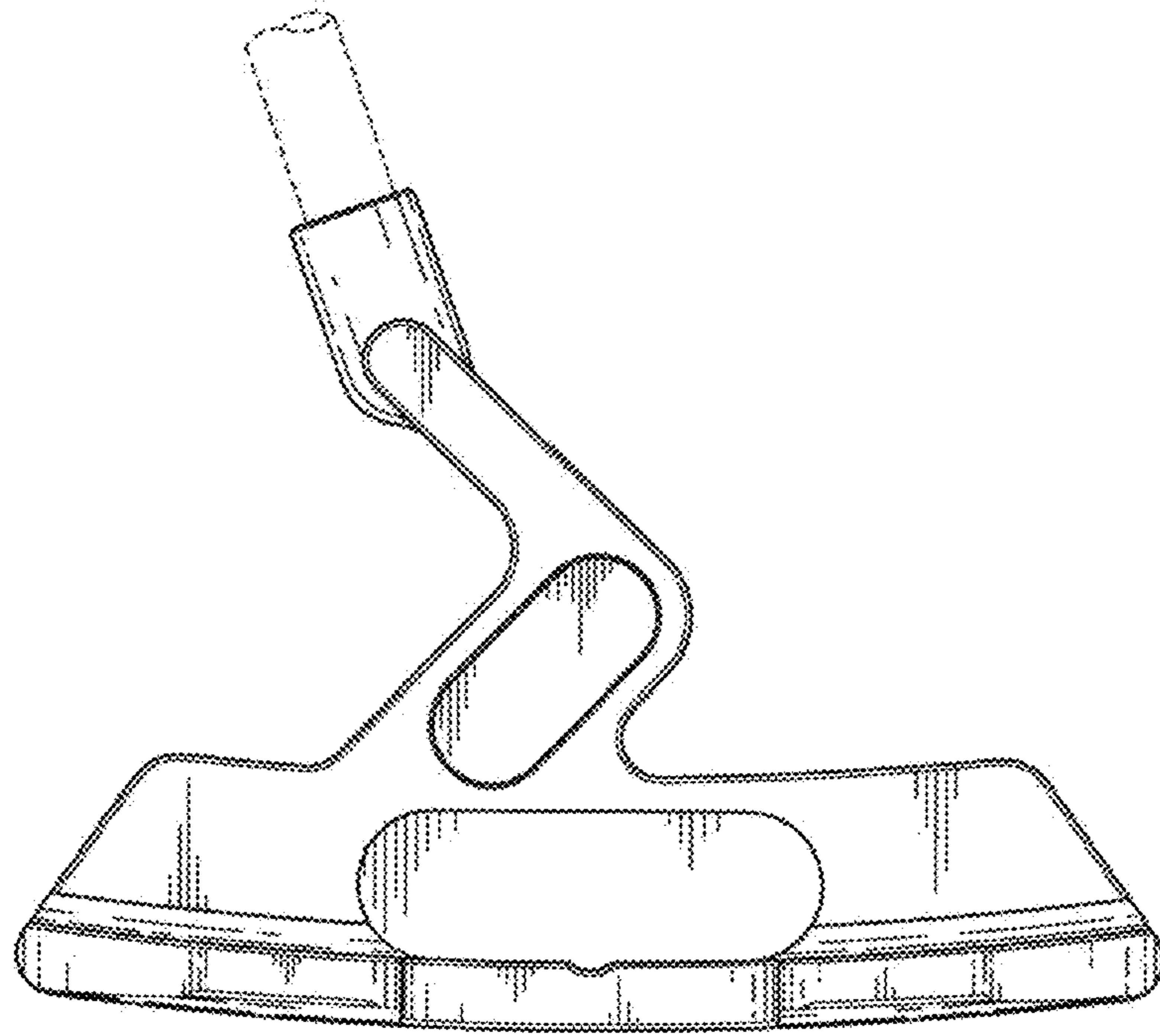
U.S. PATENT DOCUMENTS

D532,844	S	*	11/2006	Rollinson	.....	D21/736
D556,277	S		11/2007	Broom		
D566,277	S		4/2008	Barry		
D603,006	S	*	10/2009	Foster	.....	D21/736
D631,925	S	*	2/2011	Broom	.....	D21/743
D636,829	S	*	4/2011	Cardani	.....	D21/759
D670,774	S	*	11/2012	Seiff	.....	D21/736
D684,643	S		6/2013	Kim		
D741,427	S	*	10/2015	Broom	.....	D21/743
D741,968	S	*	10/2015	Broom	.....	D21/743
D771,208	S	*	11/2016	Bettinardi	.....	D21/744
D801,457	S	*	10/2017	Lewis	.....	D21/736
D807,453	S	*	1/2018	Serrano	.....	D21/743
D819,762	S	*	6/2018	Broom	.....	D21/743
D820,924	S	*	6/2018	Cameron	.....	D21/736
D820,925	S	*	6/2018	Cameron	.....	D21/736
D832,381	S	*	10/2018	Serrano	.....	D21/743
D832,951	S	*	11/2018	Broom	.....	D21/746
D846,047	S	*	4/2019	Hilton	.....	D21/744
10,300,348	B2	*	5/2019	Morris	.....	A63B 47/02

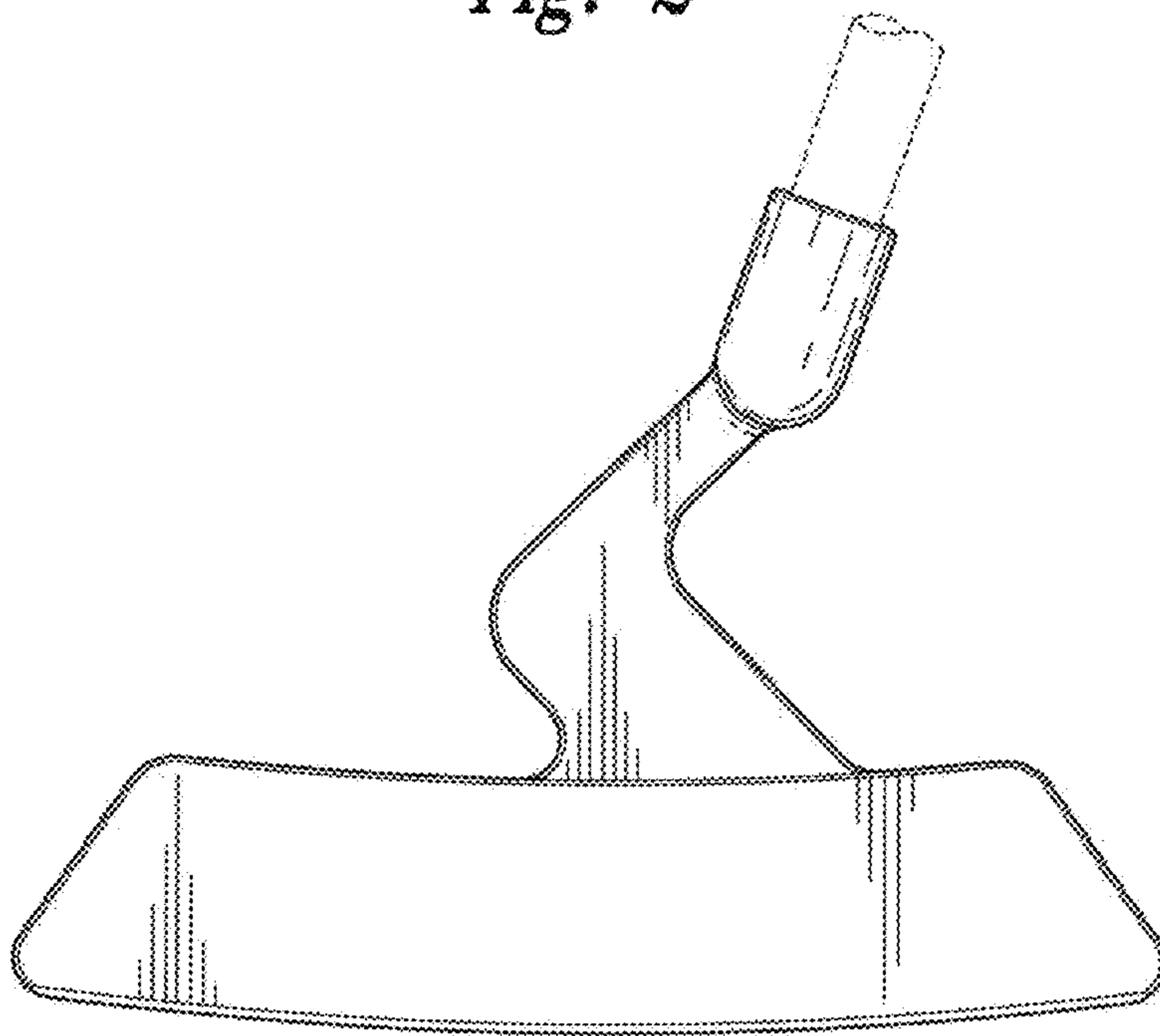
\* cited by examiner



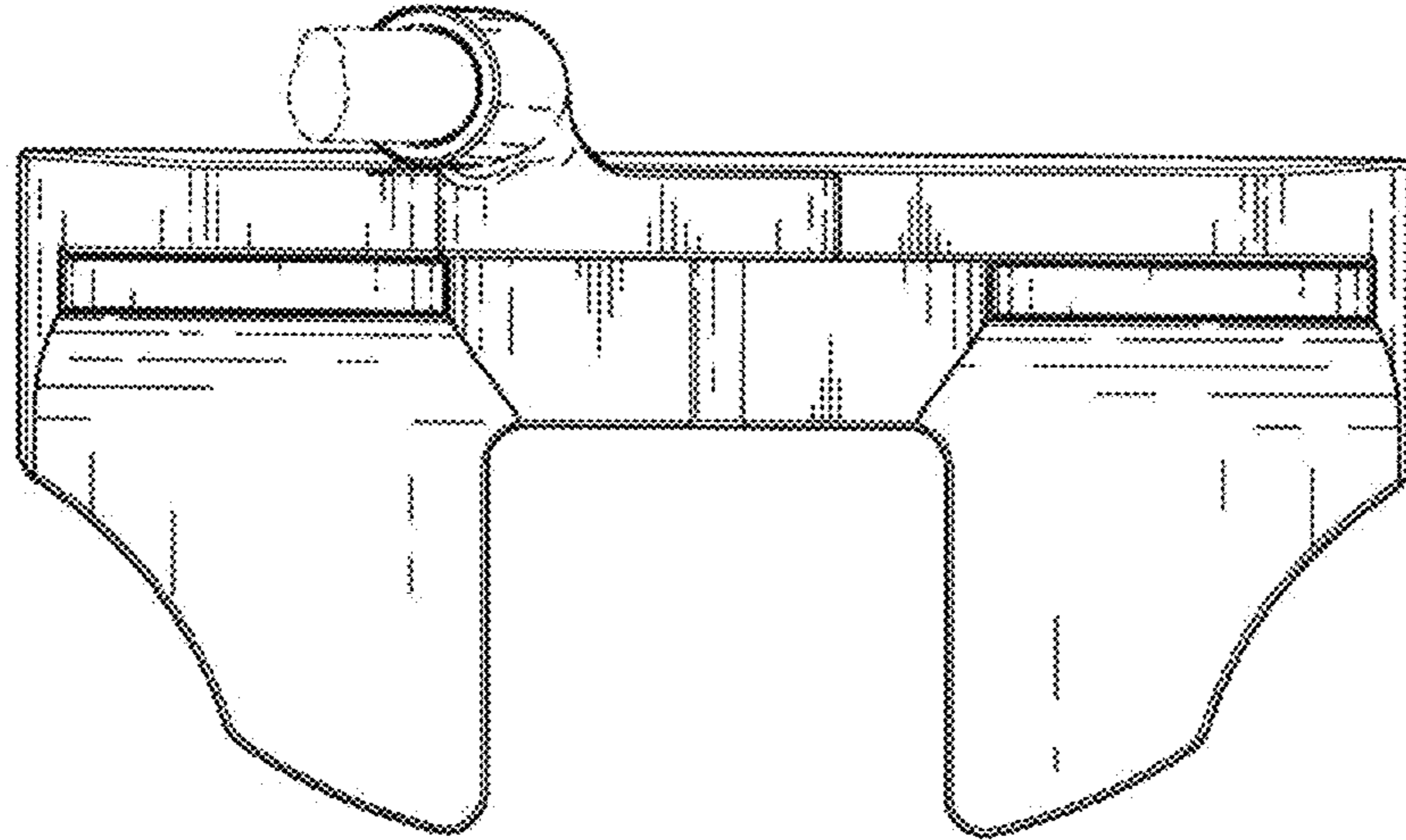
*Fig. 1*



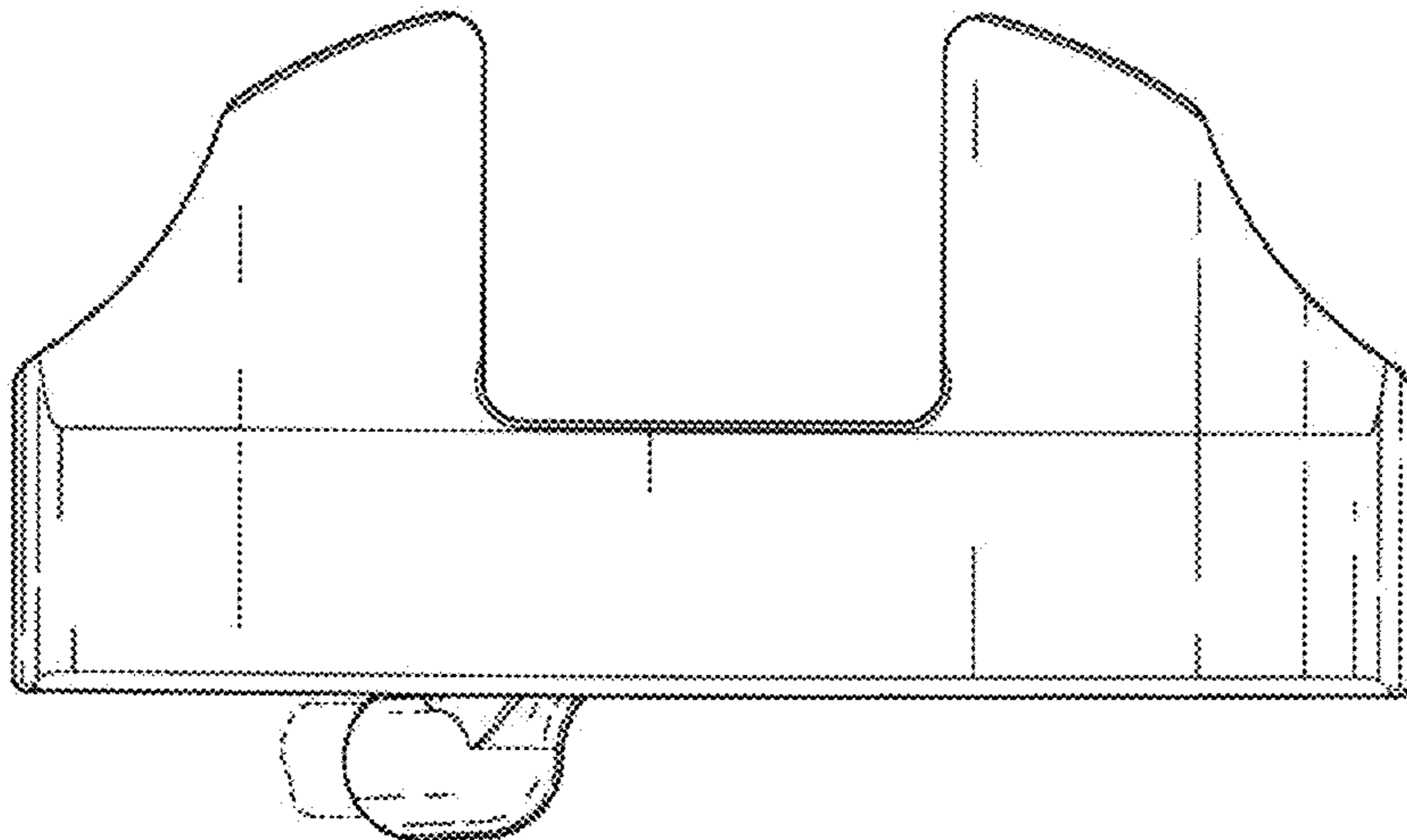
*Fig. 2*



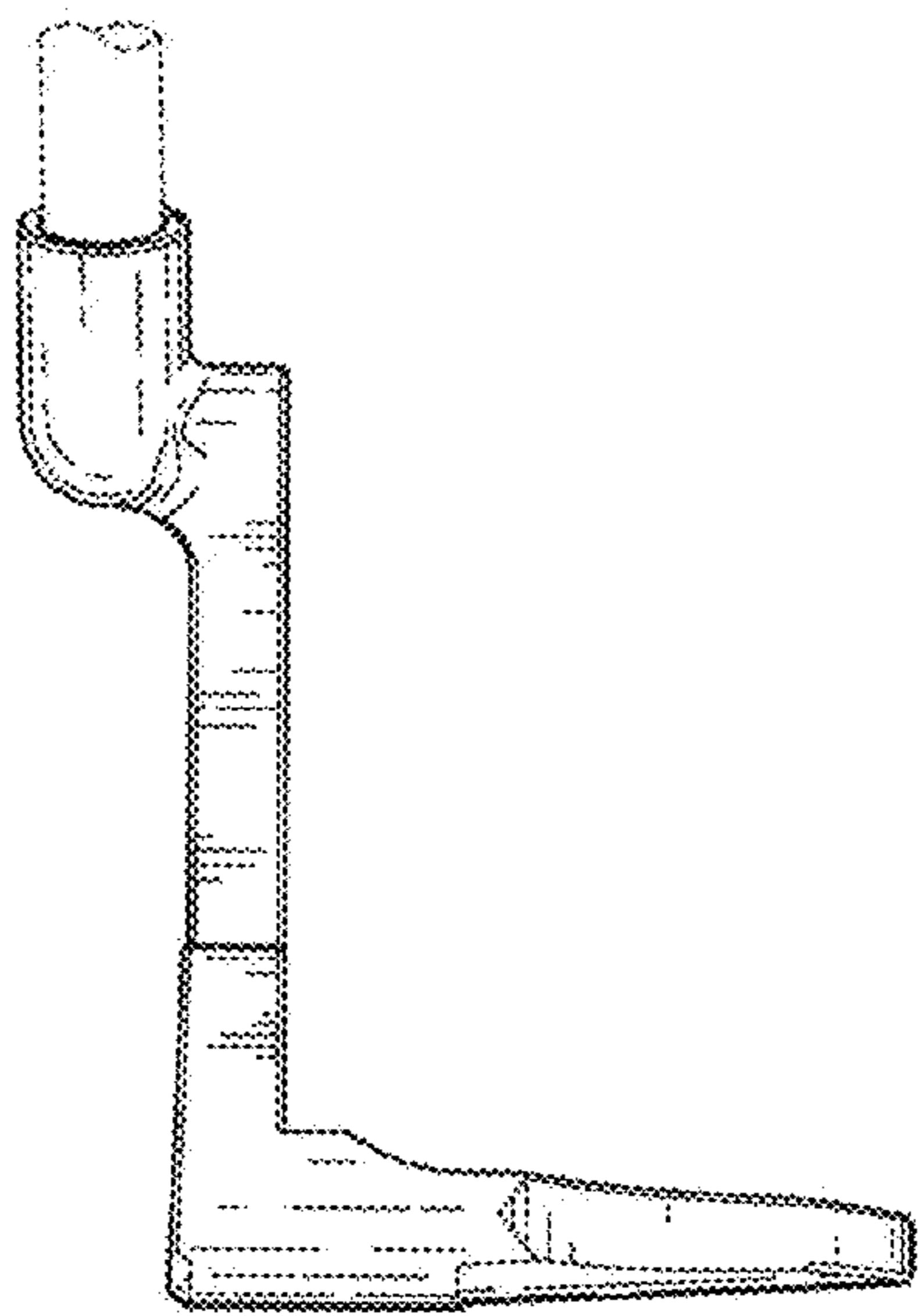
*Fig. 3*



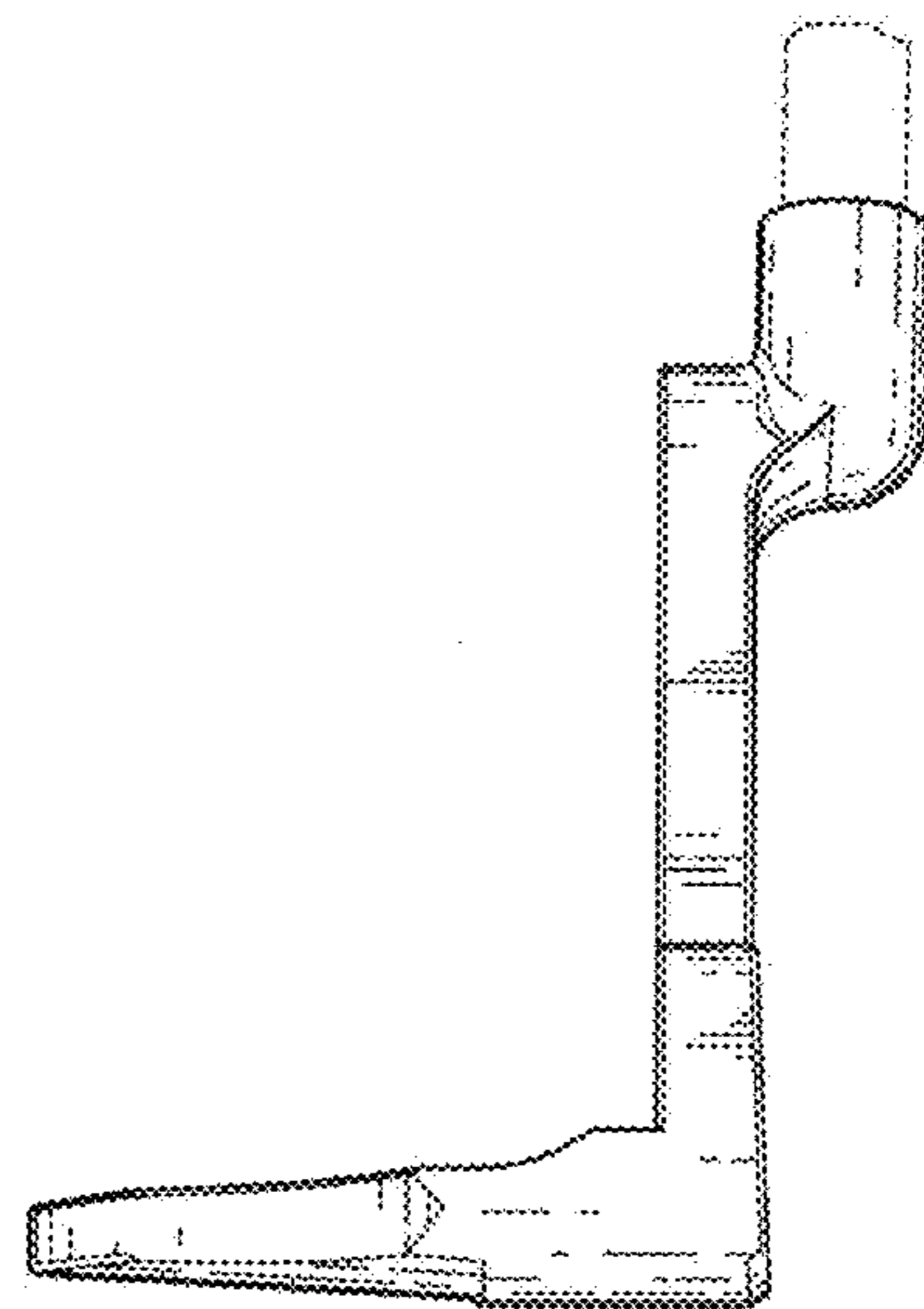
*Fig. 4*



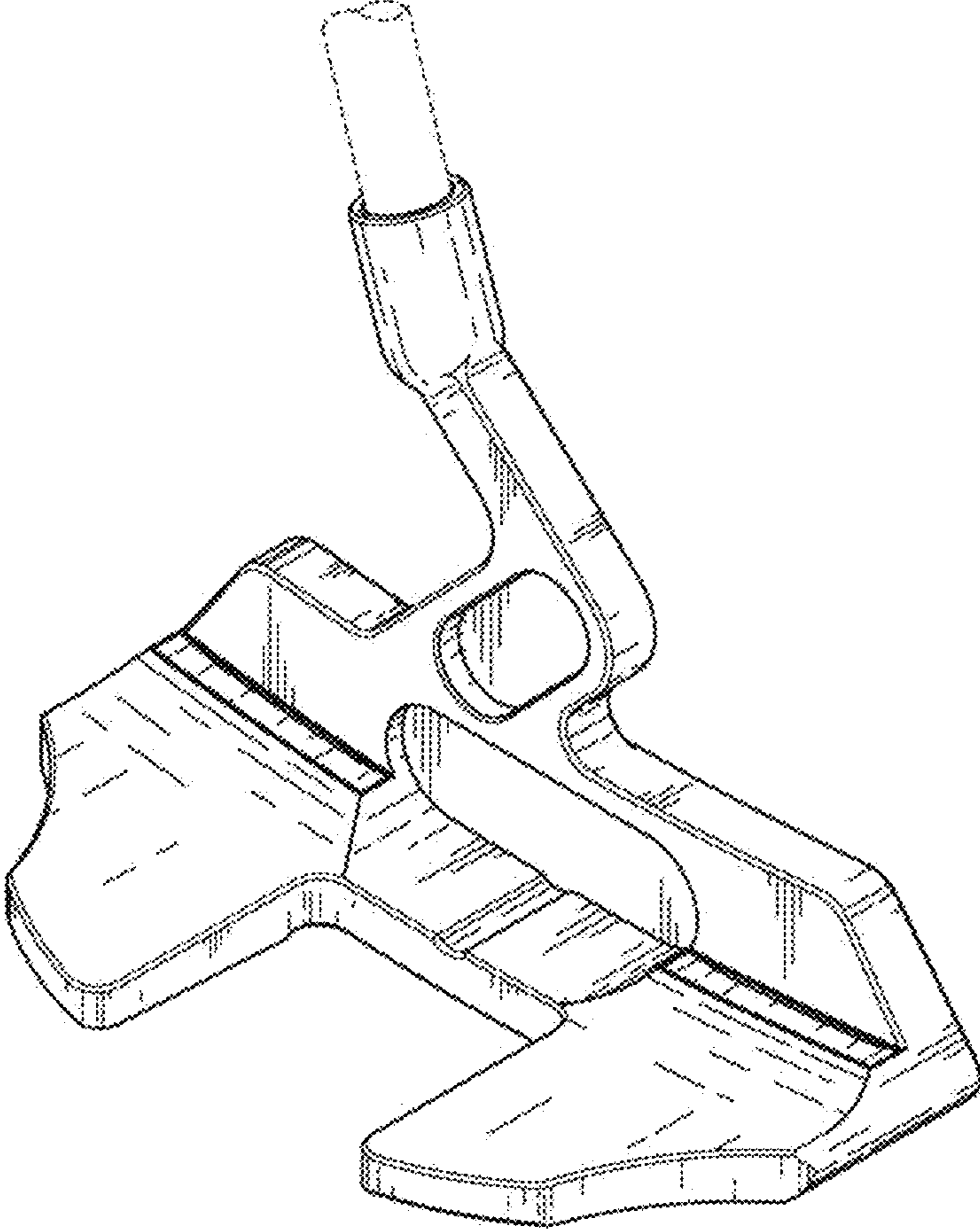
*Fig. 5*



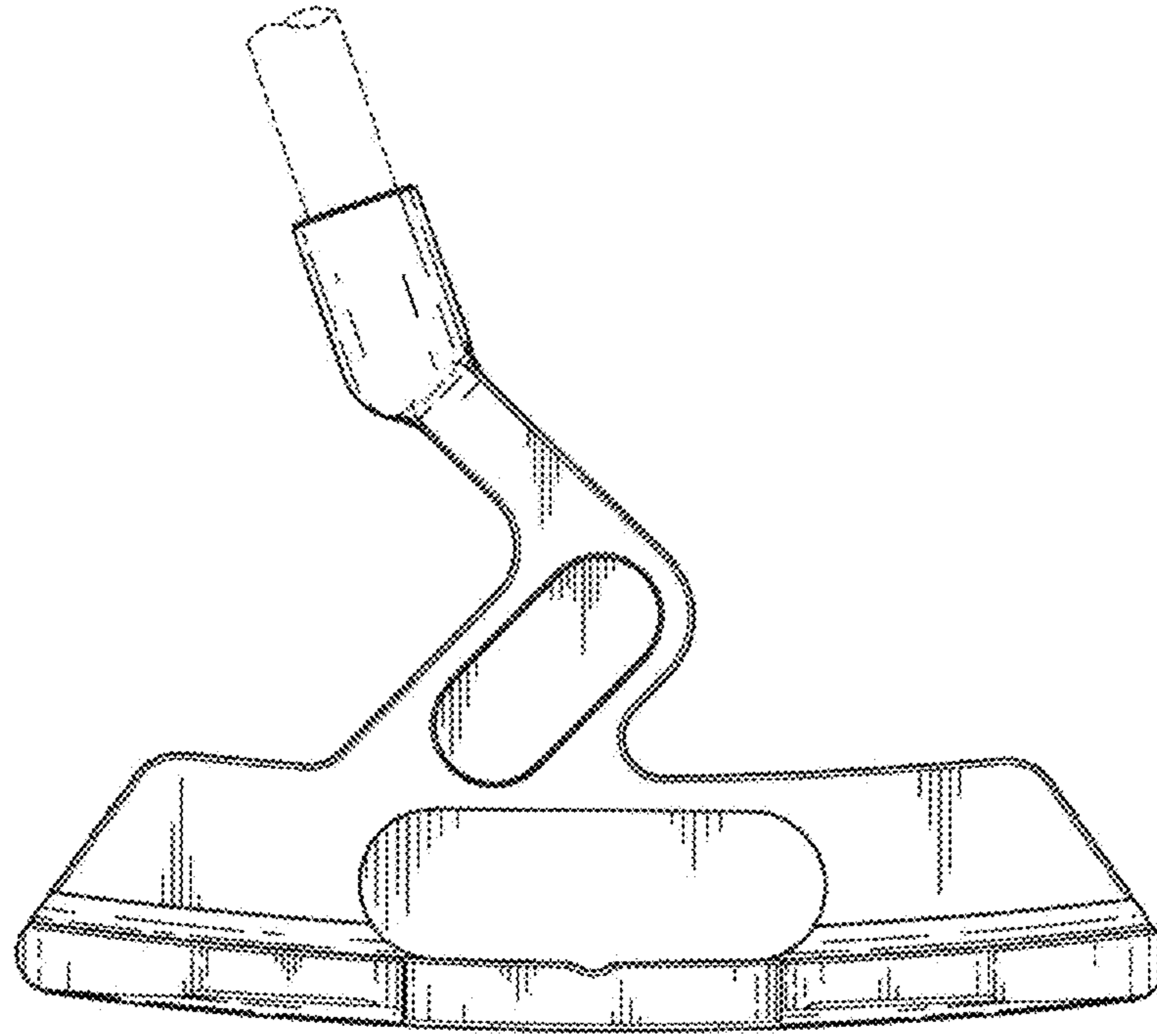
*Fig. 6*



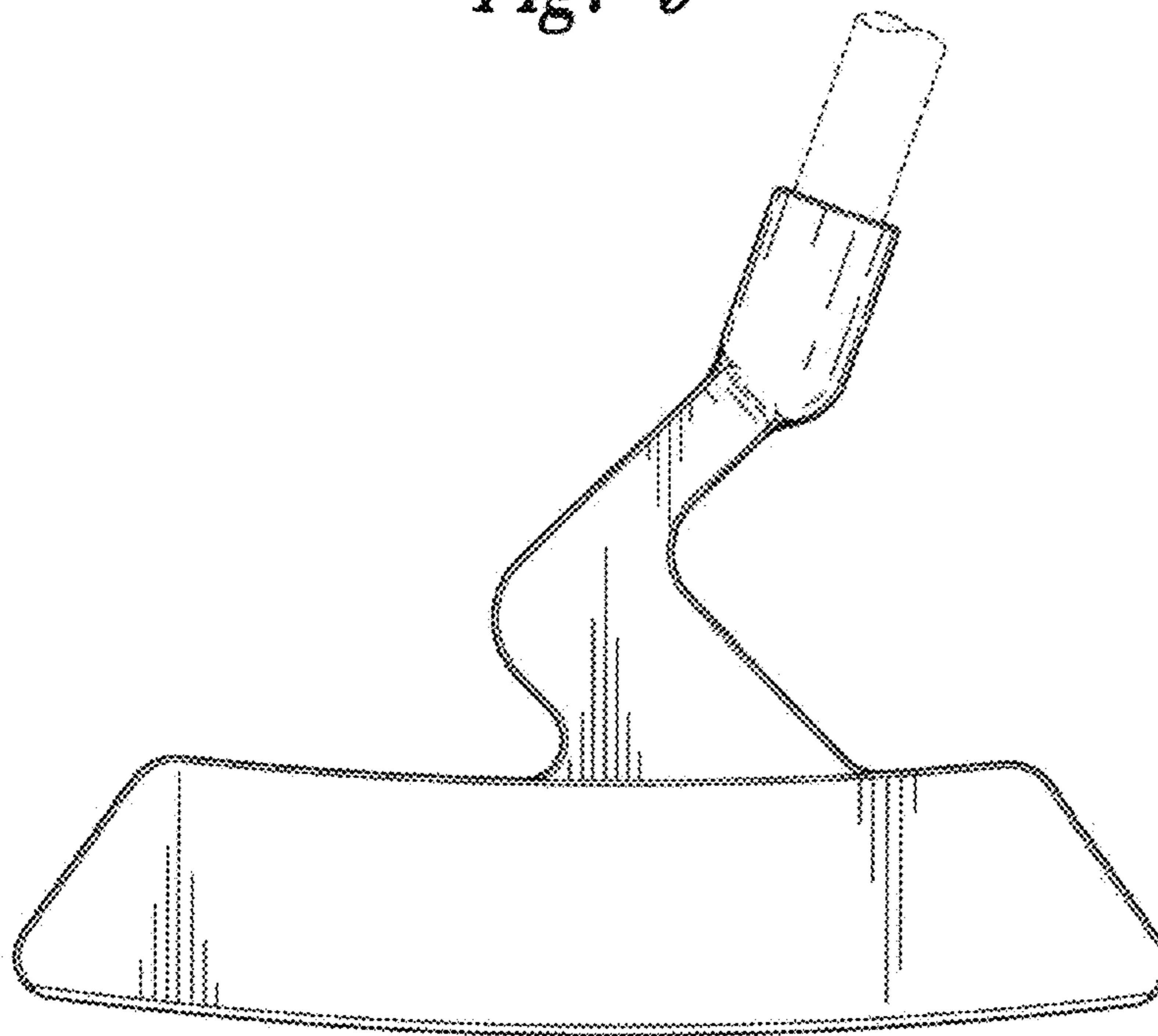
*Fig. 7*



*Fig. 8*

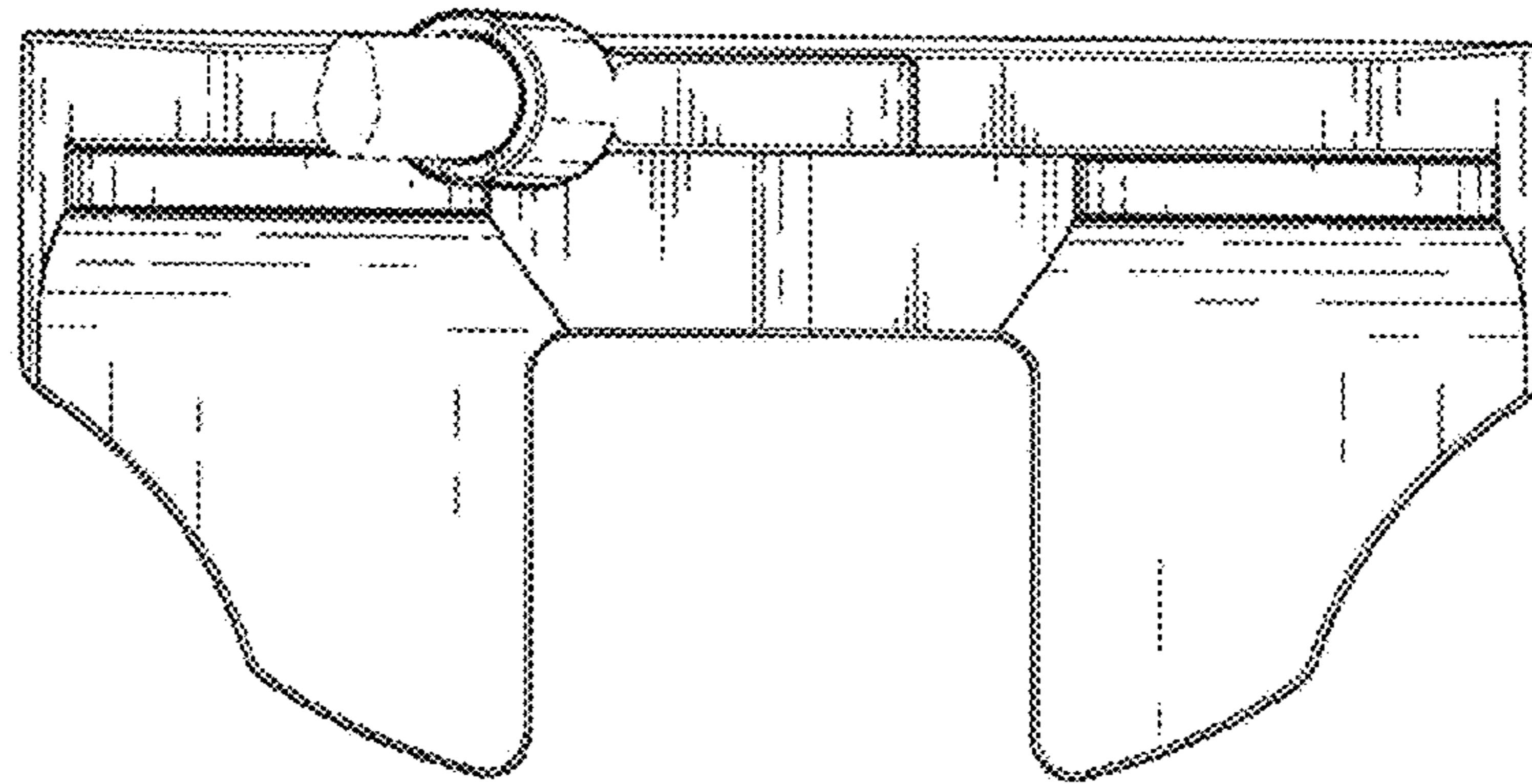


*Fig. 9*

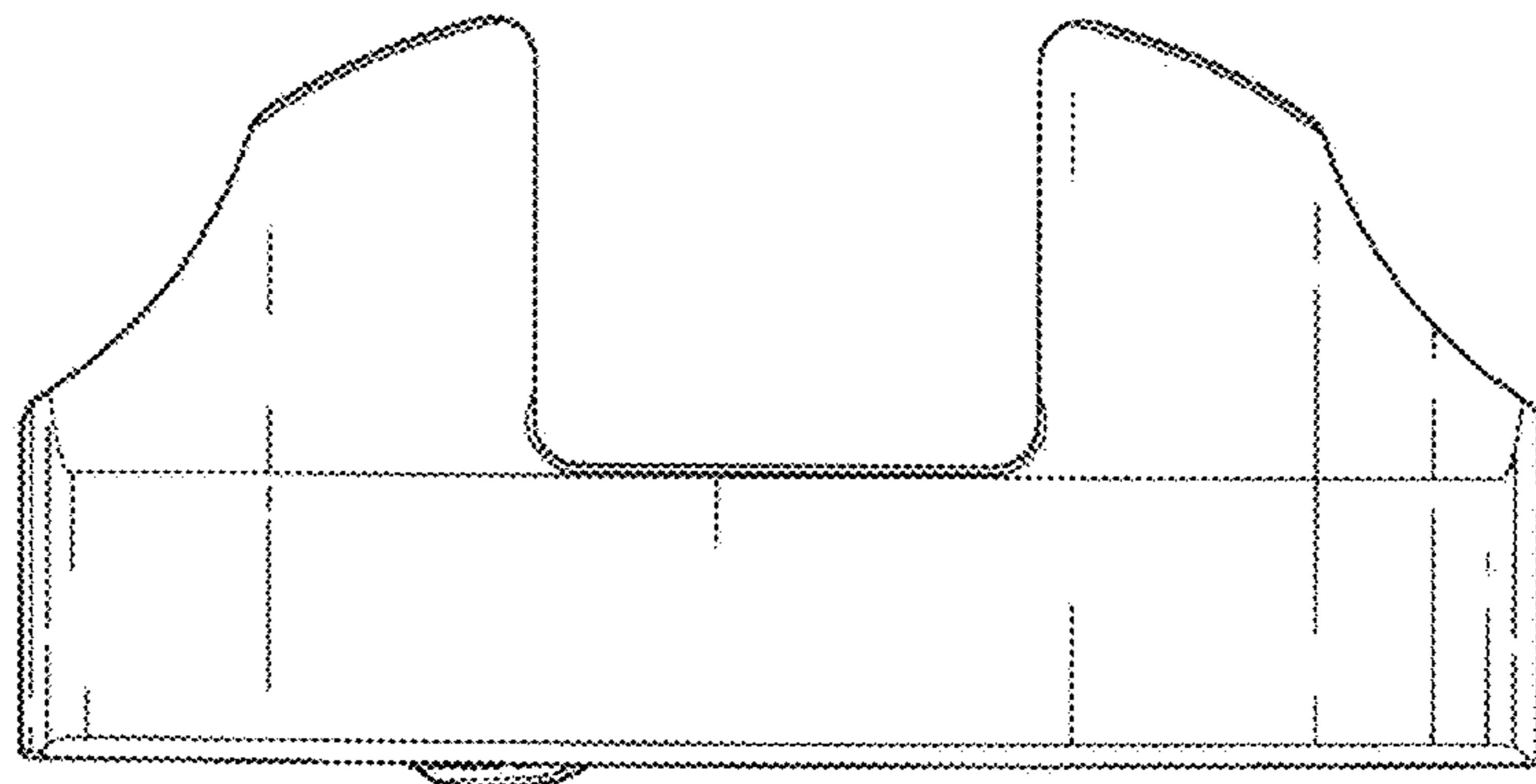


*Fig. 10*

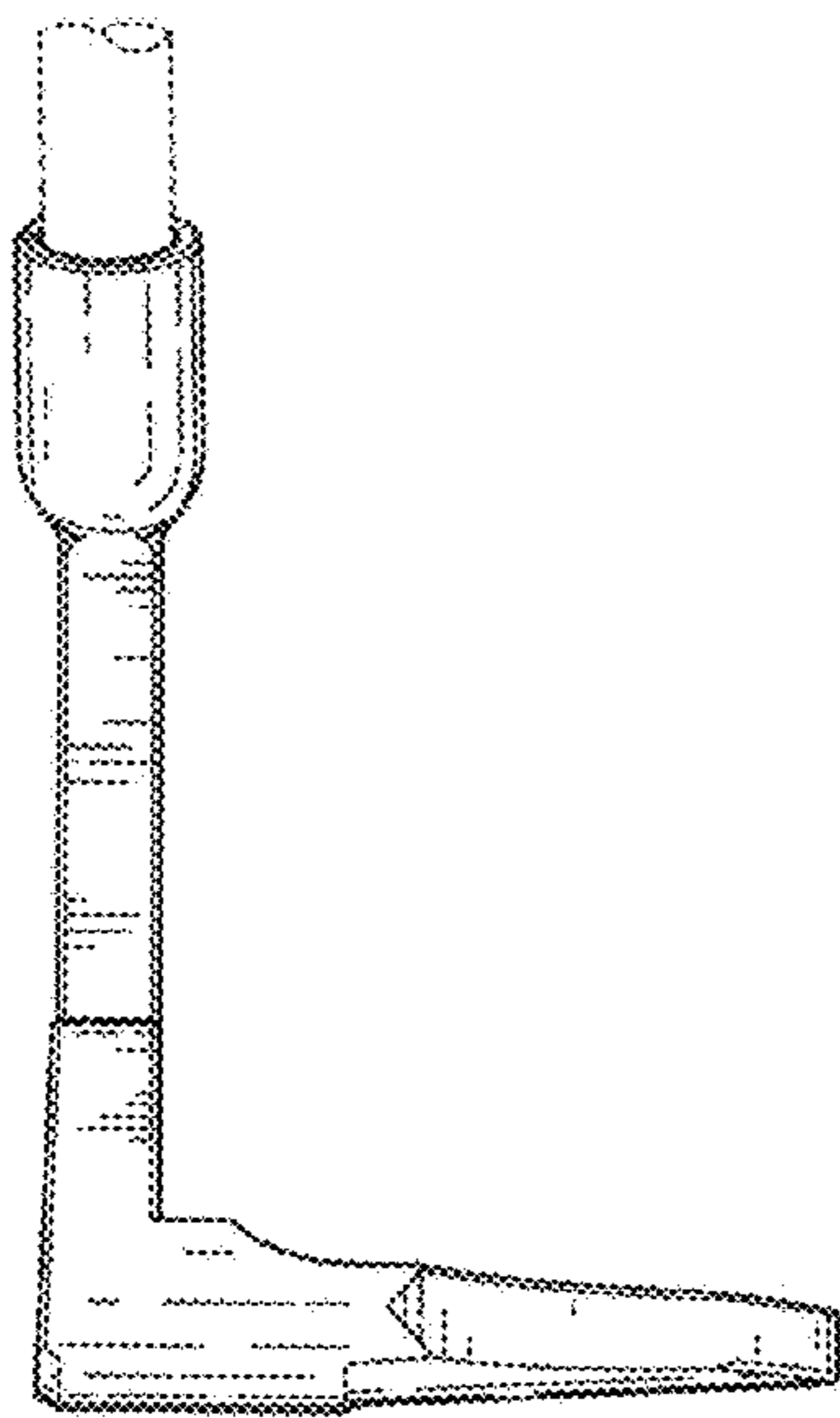




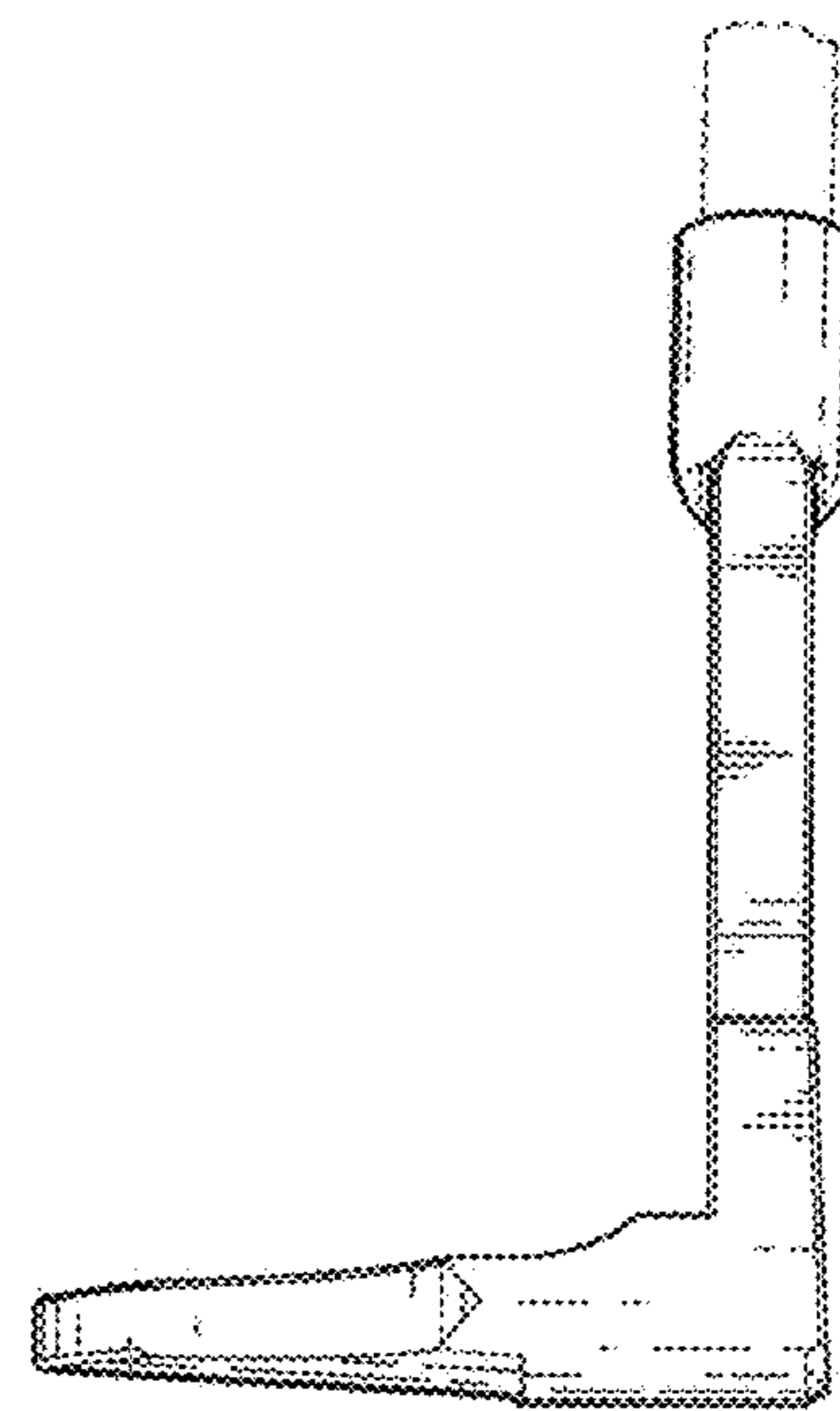
*Fig. 11*



*Fig. 12*



*Fig. 13*



*Fig. 14*