

US00D867494S

(12) **United States Design Patent** (10) **Patent No.:** **US D867,494 S**
Parente et al. (45) **Date of Patent:** **** Nov. 19, 2019**

(54) **QUAD WEIGHTED LIGHTWEIGHT PUTTER**

(71) Applicant: **Sacks Parente Golf Company, LLC**,
Westlake Village, CA (US)

(72) Inventors: **Richard E. Parente**, Imperial Beach,
CA (US); **Steven Sacks**, San Diego, CA
(US)

(73) Assignee: **SACKS PARENTE GOLF**
COMPANY, LLC, Westlake Village,
CA (US)

(**) Term: **15 Years**

(21) Appl. No.: **29/659,515**

(22) Filed: **Aug. 9, 2018**

(51) **LOC (12) Cl.** **21-02**

(52) **U.S. Cl.**
USPC **D21/736**

(58) **Field of Classification Search**
USPC D21/736-746, 759
CPC A63B 53/00; A63B 53/04; A63B 53/007;
A63B 53/065; A63B 53/0487; A63B
60/00; A63B 60/46
See application file for complete search history.

(56) **References Cited**

U.S. PATENT DOCUMENTS

D81,321 S *	6/1930	Cash	D21/738
D85,510 S *	11/1931	Beach	D21/738
D123,260 S *	10/1940	Flynn	D21/738
D190,285 S *	5/1961	Bukovey	D21/738
D191,212 S *	8/1961	Hyde	D21/738
D217,487 S *	5/1970	Blake	D21/738
D219,788 S *	1/1971	Leone	D21/738
D232,252 S *	7/1974	Cook	D21/743
D240,643 S *	7/1976	Manfrin	D21/738
4,121,832 A *	10/1978	Ebbing	A63B 53/007 473/288

D293,927 S *	1/1988	Antonious	D21/738
D294,513 S *	3/1988	Antonious	D21/738
D351,001 S *	9/1994	Bickler	D21/736
D355,233 S *	2/1995	Burdick	D21/738
D356,845 S *	3/1995	Lutts	D21/738
D357,043 S *	4/1995	Turner	D21/738
D358,187 S *	5/1995	Simonds	D21/735
D368,126 S *	3/1996	Magerman	D21/743
D398,351 S *	9/1998	Sheets	D21/736
D441,820 S *	5/2001	Nicolette	D21/738
D548,293 S *	8/2007	Cleveland	D21/736
D601,213 S *	9/2009	Nicodem	D21/736
D708,275 S *	7/2014	Aguilar	D21/742
D750,717 S *	3/2016	Falcon	D21/736
D759,024 S *	6/2016	Woo	D14/451

* cited by examiner

Primary Examiner — Mitchell I. Siegel

(74) *Attorney, Agent, or Firm* — Steven M. Greenberg,
Esq.; Shutts & Bowen LLP

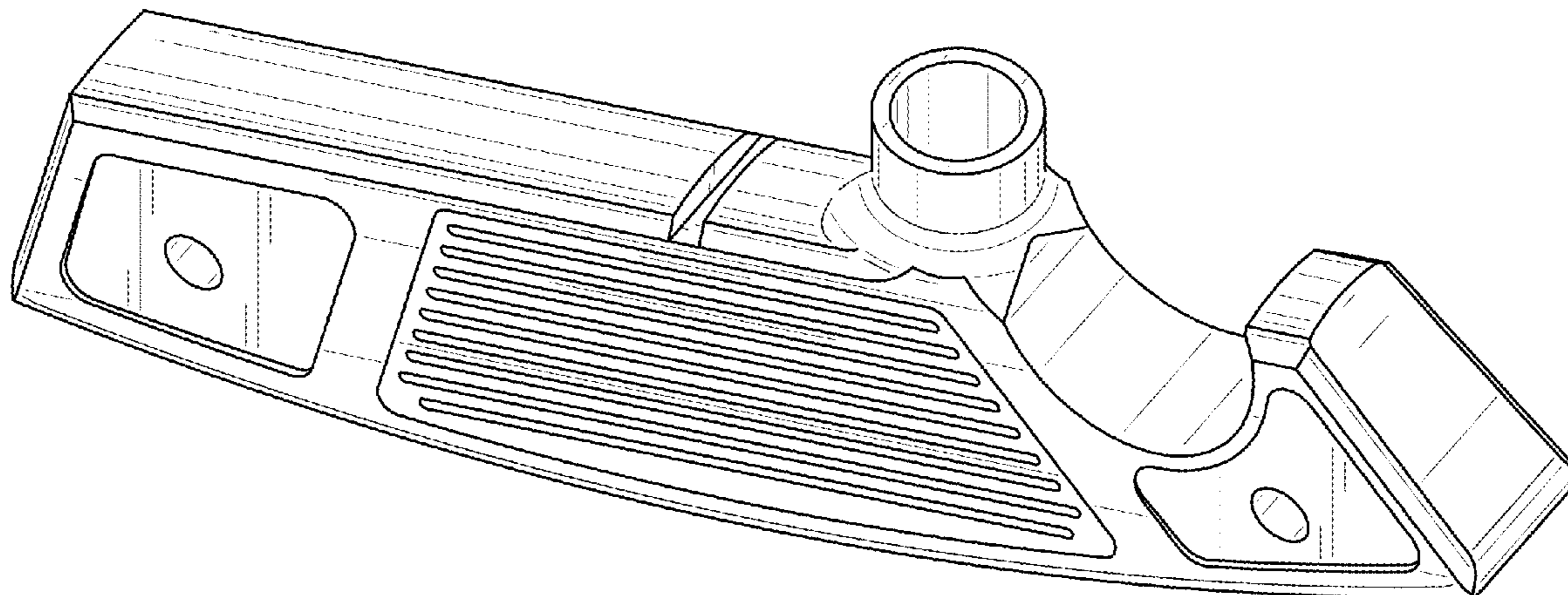
(57) **CLAIM**

The ornamental design for a quad weighted lightweight putter, as shown and described.

DESCRIPTION

FIG. 1 is a top front perspective of a quad weighted lightweight putter according to our invention;
FIG. 2 is a front view of the quad weighted lightweight putter of FIG. 1;
FIG. 3 is a back view of the quad weighted lightweight putter of FIG. 1;
FIG. 4 is a left view of the quad weighted lightweight putter of FIG. 1;
FIG. 5 is a right view of the quad weighted lightweight putter of FIG. 1;
FIG. 6 is a top view of the quad weighted lightweight putter of FIG. 1; and,
FIG. 7 is a bottom view of the quad weighted lightweight putter of FIG. 1.

1 Claim, 5 Drawing Sheets



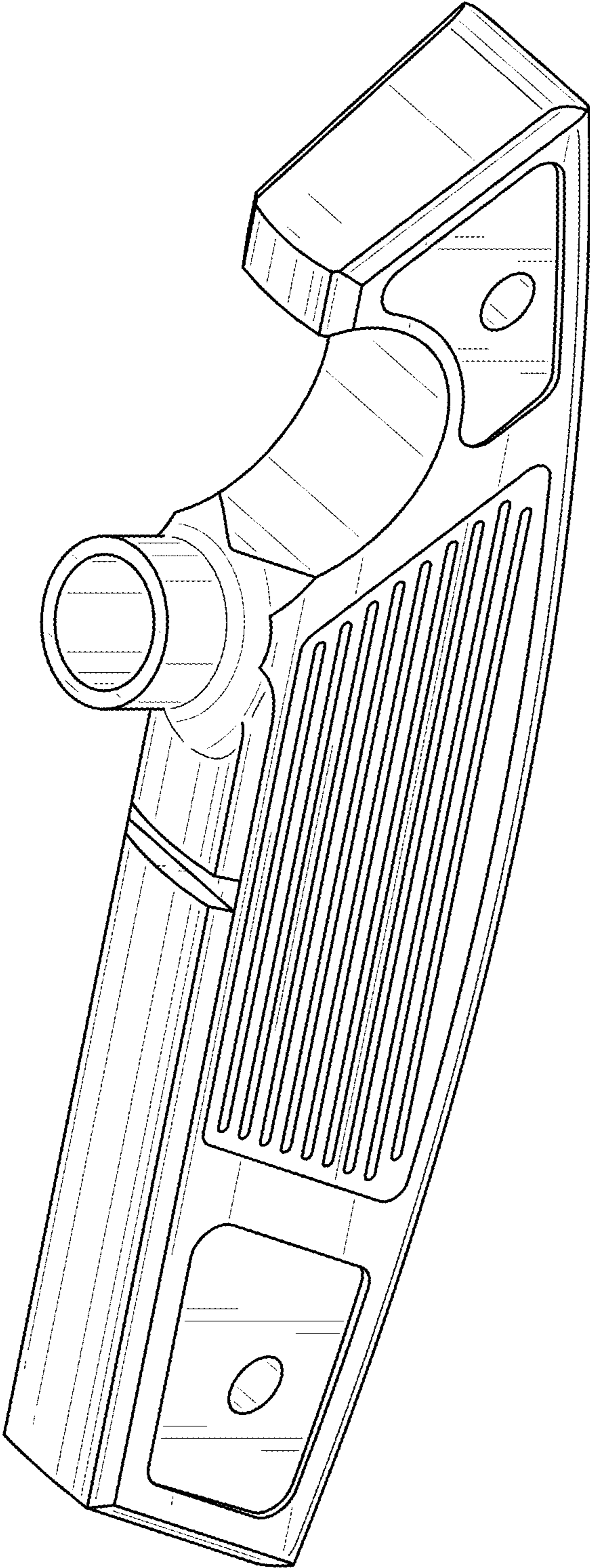


FIG. 1

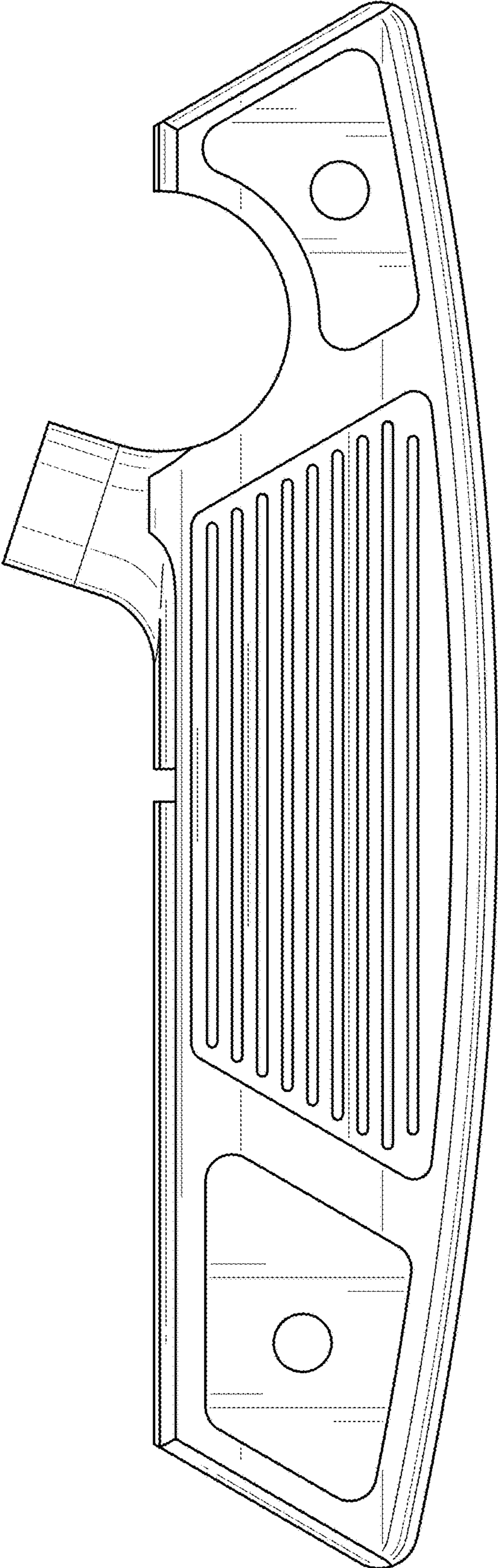


FIG. 2

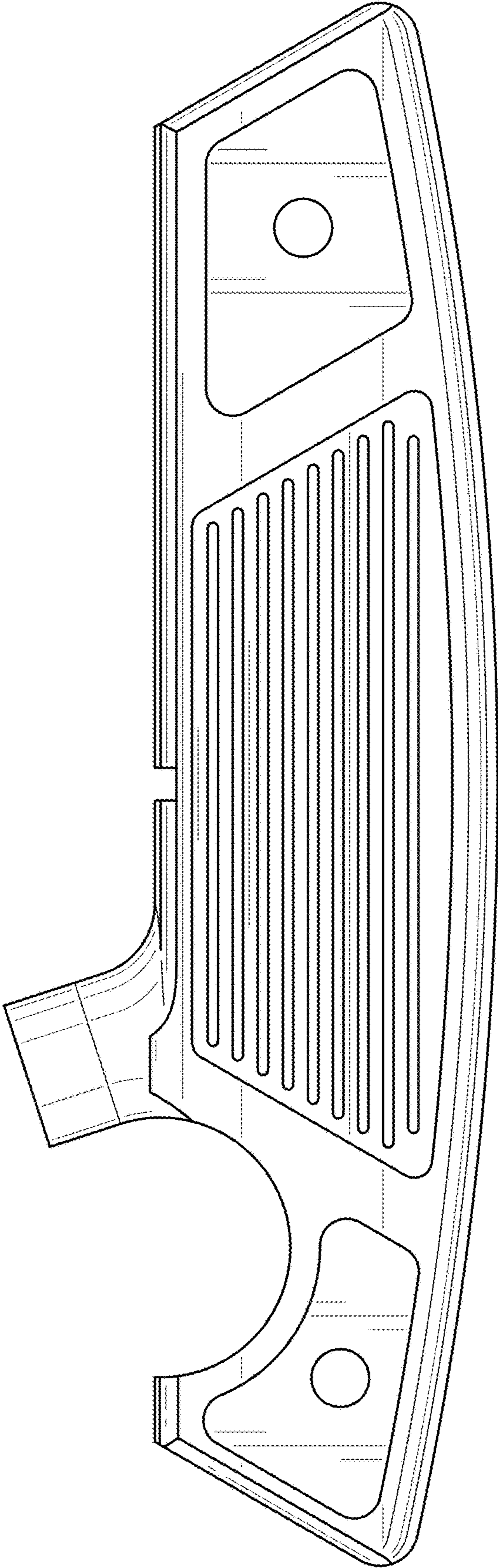


FIG. 3

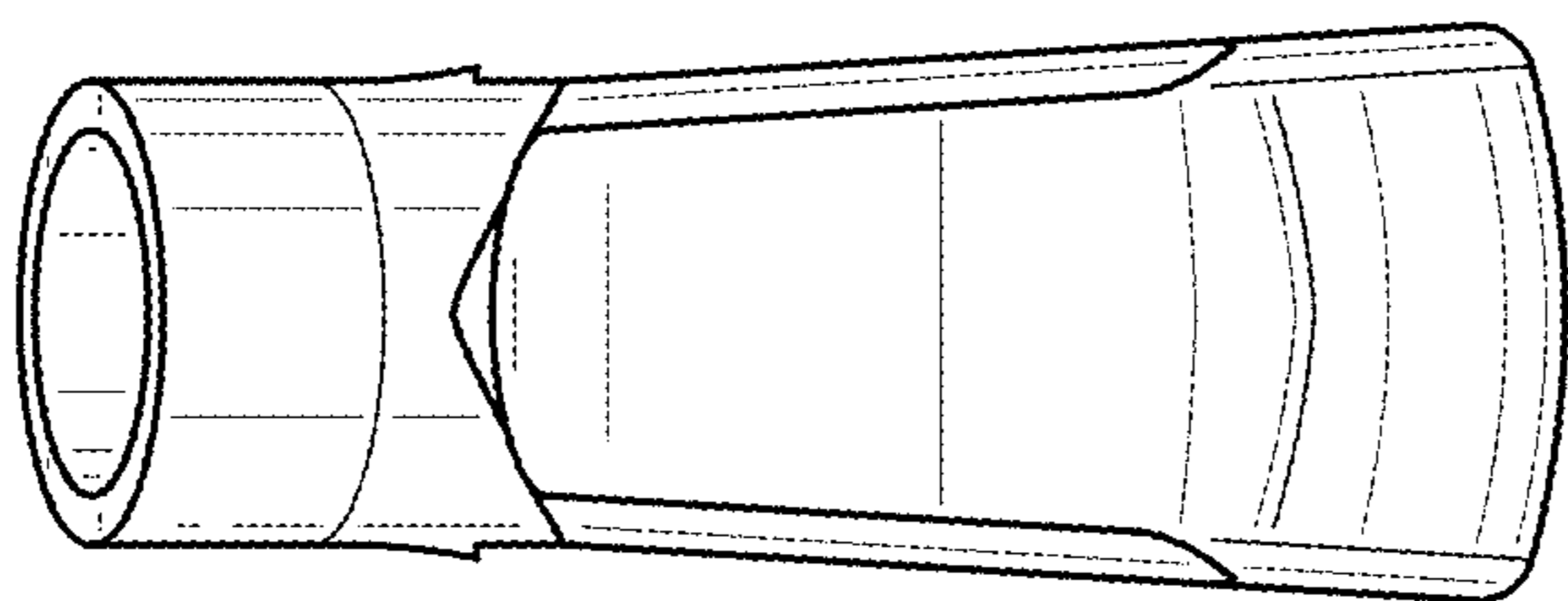


FIG. 5

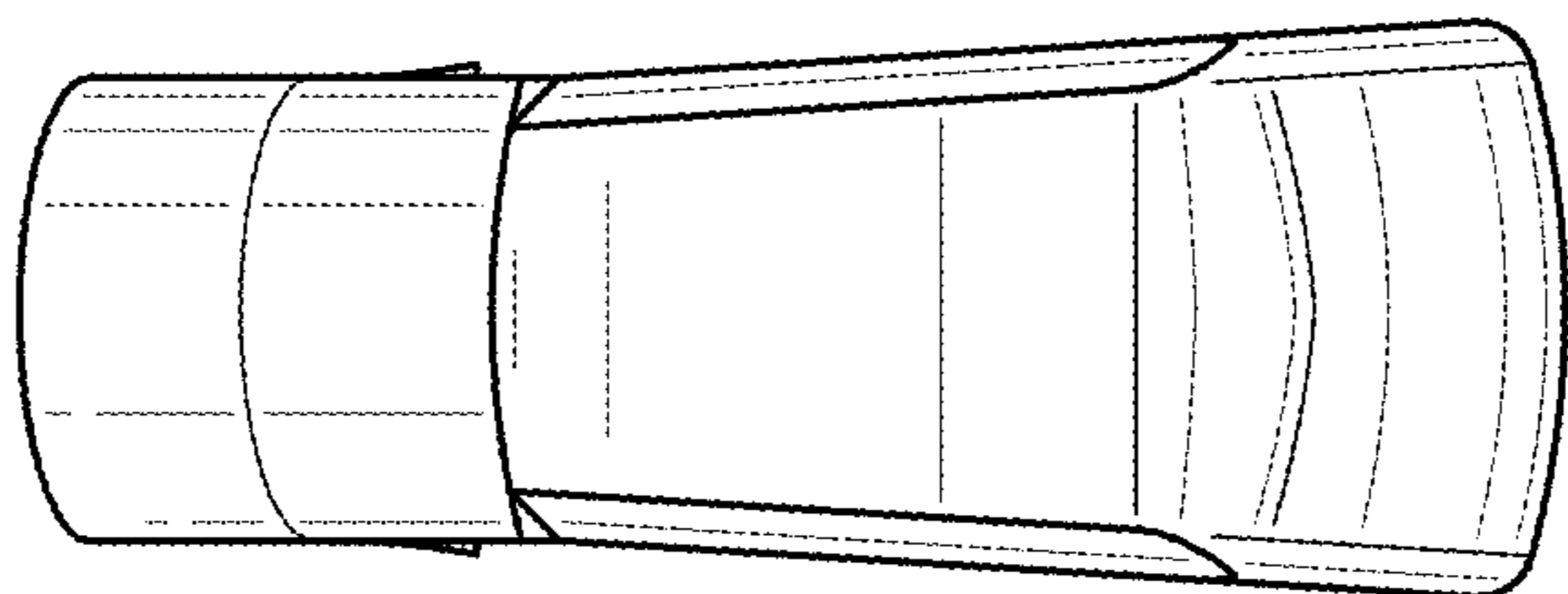


FIG. 4

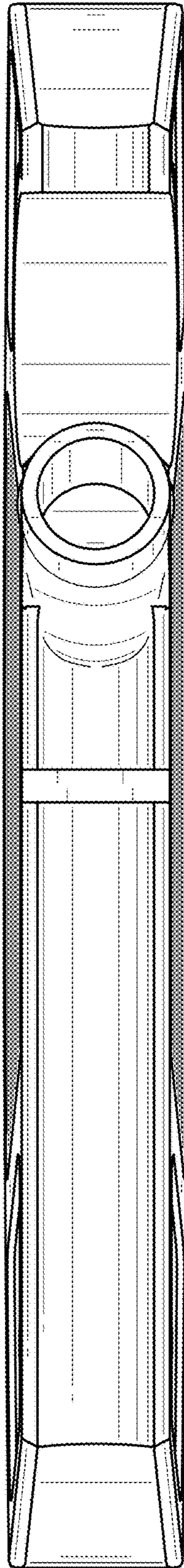


FIG. 6

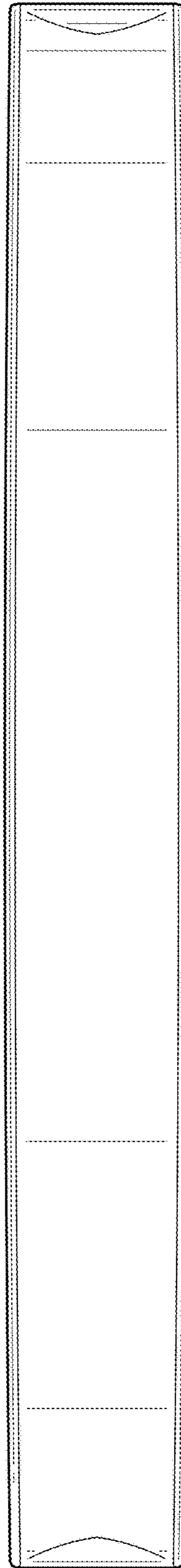


FIG. 7