



US00D867492S

(12) **United States Design Patent**
Didia

(10) **Patent No.:** **US D867,492 S**

(45) **Date of Patent:** **** Nov. 19, 2019**

(54) **WEIGHTLIFTING GRIP**

(71) Applicant: **Morris G. Didia**, Brooklyn, NY (US)

(72) Inventor: **Morris G. Didia**, Brooklyn, NY (US)

(73) Assignee: **Morris Gabriel Didia**, Brooklyn, NY (US)

(**) Term: **15 Years**

(21) Appl. No.: **29/651,353**

(22) Filed: **Jun. 4, 2018**

(51) **LOC (12) Cl.** **21-02**

(52) **U.S. Cl.**
USPC **D21/694**

(58) **Field of Classification Search**
USPC 482/49, 82, 93, 106, 108, 121, 126, 141;
D21/662, 672, 679, 681, 682, 684, 691,
D21/694; D30/160; D24/214, 215;
D8/303, 313
CPC . A63B 21/0724; A63B 21/0726; A63B 23/16;
B62K 21/26
See application file for complete search history.

(56) **References Cited**

U.S. PATENT DOCUMENTS

- 1,229,658 A * 6/1917 Sandow A63B 21/0726
D21/681
- D105,813 S * 8/1937 Stark D8/303
- 3,583,394 A * 6/1971 Napoli A61H 23/0263
482/49
- 3,611,807 A * 10/1971 Brandell, Jr. A61B 5/22
482/49
- 4,218,057 A * 8/1980 Wilson A63B 21/0603
482/93
- 4,351,526 A * 9/1982 Schwartz A63B 21/0726
482/105
- 4,647,037 A * 3/1987 Donohue A63B 5/20
482/108
- 4,743,017 A * 5/1988 Jaeger A63B 21/075
482/108

- D297,751 S * 9/1988 Brown D21/681
- D300,506 S * 4/1989 Pedone D8/303
- 5,076,569 A * 12/1991 Gootter A63B 23/16
482/49
- 5,102,381 A * 4/1992 Danielak A63B 5/20
482/82

(Continued)

Primary Examiner — Cynthia Ramirez

Assistant Examiner — Michael A Maharajh

(57) **CLAIM**

The ornamental design for a weightlifting grip, as shown and described.

DESCRIPTION

FIG. 1 is a right side view of the weightlifting grip in accordance with the present invention, shown in a condition in use.

FIG. 2 is a Perspective 3/4 Top View of the weightlifting grip in accordance with the present invention, shown as used on a dumbbell.

FIG. 3 is another perspective view of the weightlifting grip in accordance with the present invention.

FIG. 4 is a Top Plan View of the weight lifting grip in accordance with the present invention.

FIG. 5 is a Bottom Plan View of the weight lifting grip in accordance with the present invention.

FIG. 6 is another right side view of the weightlifting grip in accordance with the present invention.

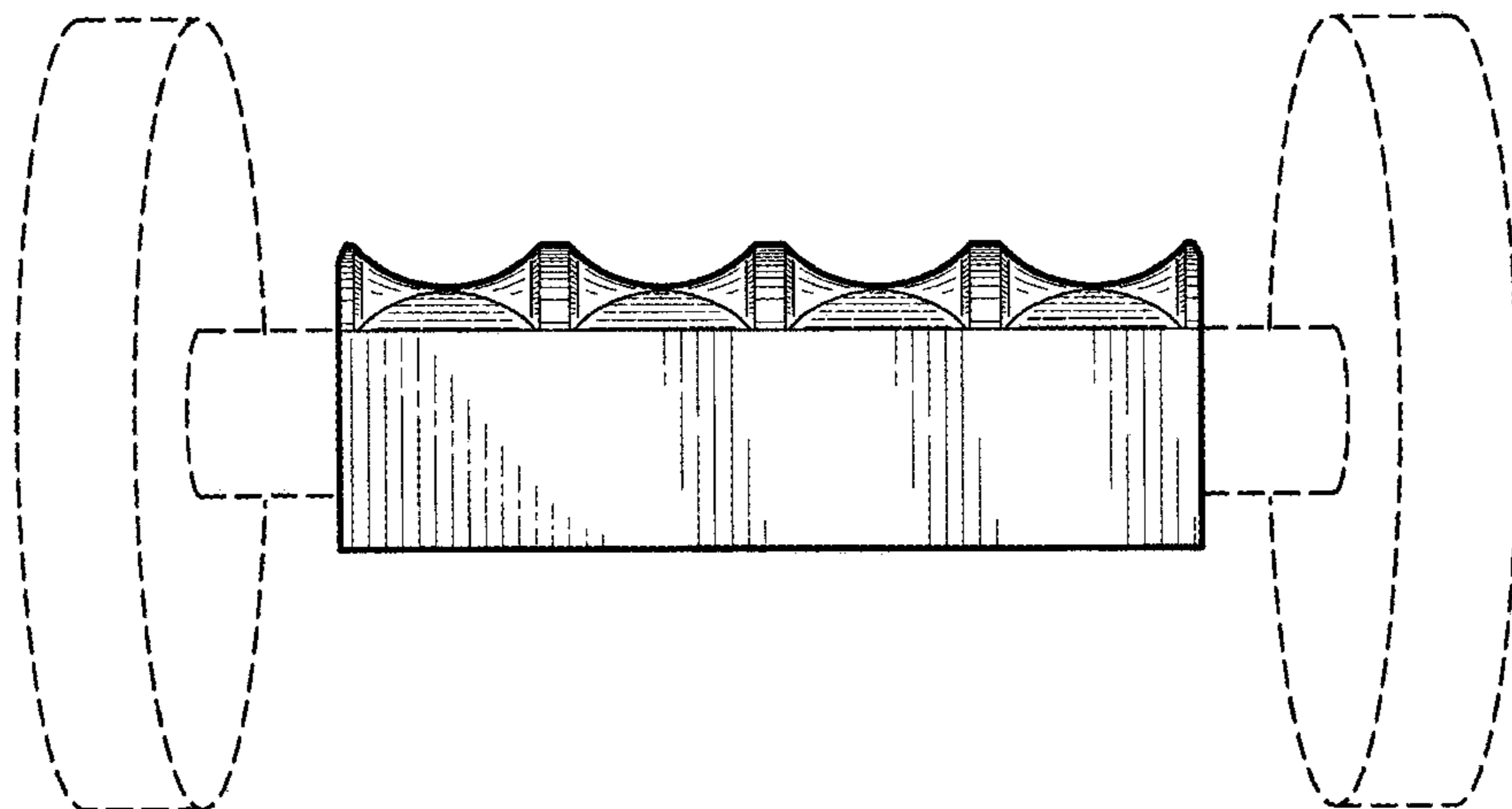
FIG. 7 is a Left Side View of the weight lifting grip in accordance with the present invention.

FIG. 8 is a Right End View of the weight lifting grip in accordance with the present invention; and,

FIG. 9 is a Left End View of the weight lifting grip in accordance with the present invention.

The broken lines shown in FIG. 1 are for the purpose of illustrating environmental structure, which form no part of the claimed design.

1 Claim, 6 Drawing Sheets



(56)

References Cited

U.S. PATENT DOCUMENTS

D326,127 S * 5/1992 Rink D21/694
 D335,299 S * 5/1993 Guidry D21/684
 D342,884 S * 1/1994 Skroskis D8/107
 D343,433 S * 1/1994 Crosson D21/682
 5,318,492 A * 6/1994 Quinn A63B 21/072
 482/108
 5,403,008 A * 4/1995 Mainiero A63B 23/16
 482/49
 5,415,607 A * 5/1995 Carpenter A63B 21/0728
 482/106
 D399,910 S * 10/1998 Eckmann D21/682
 D403,035 S * 12/1998 MacPherson D21/684
 6,123,651 A * 9/2000 Ellenburg A63B 71/0036
 482/104
 D434,813 S * 12/2000 Anderson D21/679
 D436,036 S * 1/2001 Manseau D9/434
 D448,646 S * 10/2001 Sargentelli D8/303
 D459,645 S * 7/2002 Rothfus D8/303
 D533,761 S * 12/2006 Lin D8/107
 D553,697 S * 10/2007 Hallar D21/682

D566,546 S * 4/2008 Williamson D9/434
 D574,233 S * 8/2008 Young, Sr. D9/434
 7,458,921 B2 * 12/2008 Hallar A63B 21/0726
 482/106
 D621,602 S * 8/2010 White D3/12
 8,220,360 B2 * 7/2012 Li B62K 21/26
 16/421
 D696,923 S * 1/2014 Ichikawa D8/303
 D721,773 S * 1/2015 Marooth D21/694
 D725,986 S * 4/2015 May D8/303
 D739,484 S * 9/2015 Kaye D21/694
 D770,877 S * 11/2016 Pitchforth D3/246
 D775,926 S * 1/2017 Atkins D8/303
 D778,706 S * 2/2017 Atkins D8/303
 D814,264 S * 4/2018 Werdowatz D8/303
 D844,075 S * 3/2019 St. Jeor D21/662
 D846,967 S * 4/2019 Werdowatz D8/303
 10,335,628 B1 * 7/2019 Scarpa A63B 21/00061
 D857,132 S * 8/2019 Dube D21/694
 2006/0163894 A1 * 7/2006 Mishek A45F 5/1046
 294/171
 2008/0070762 A1 * 3/2008 White A63B 21/0004
 482/108

* cited by examiner

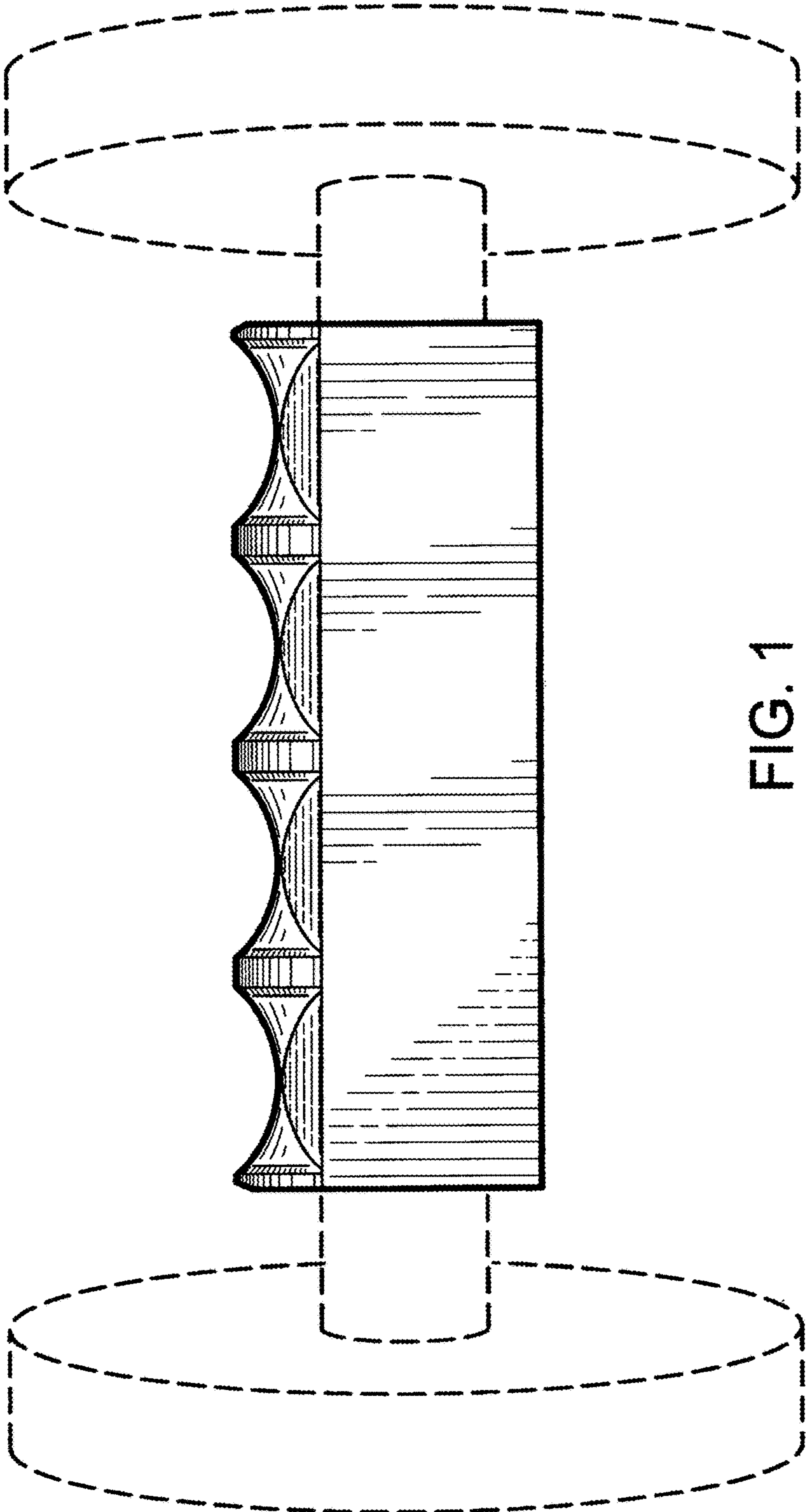


FIG. 1

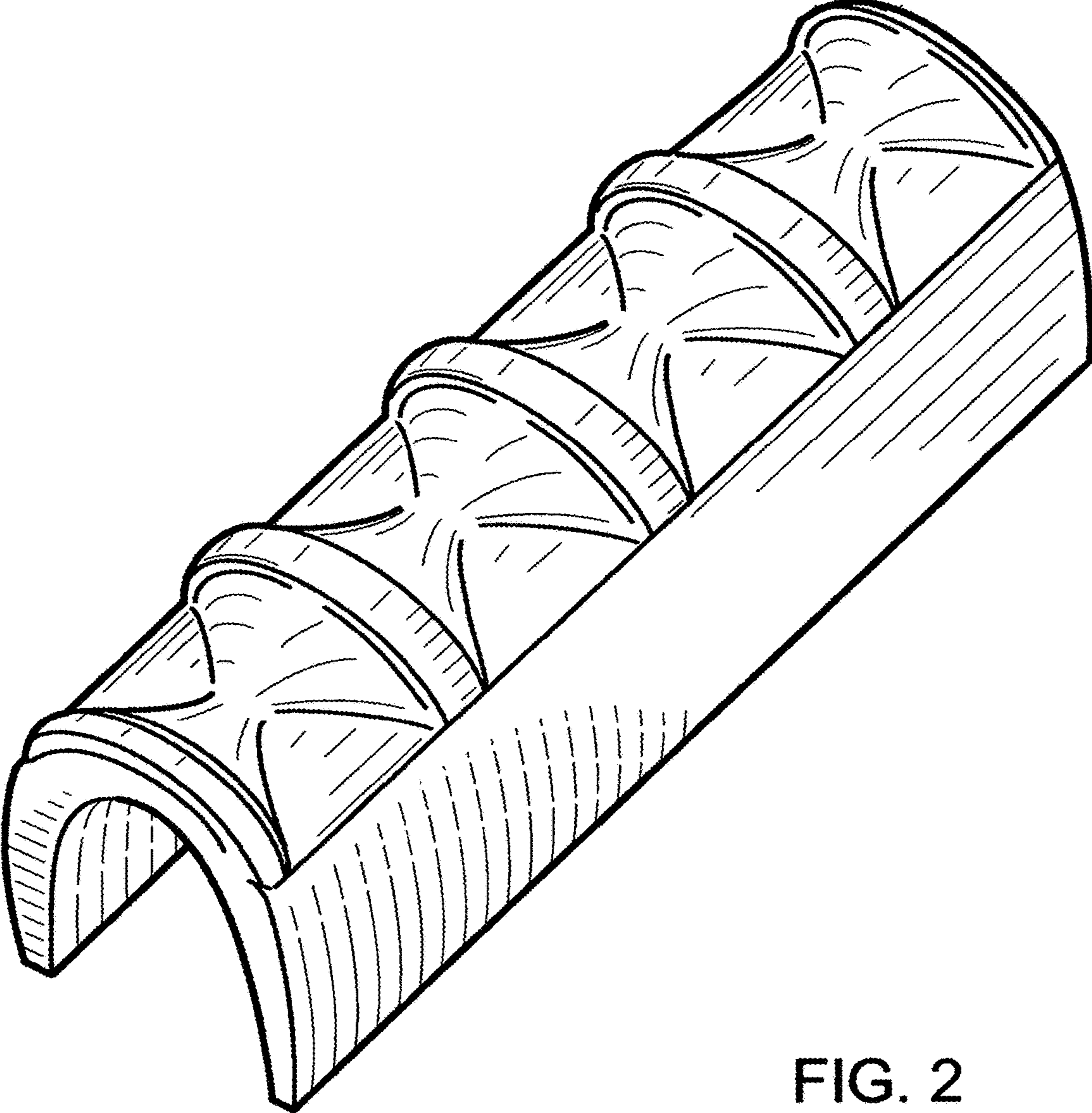


FIG. 2

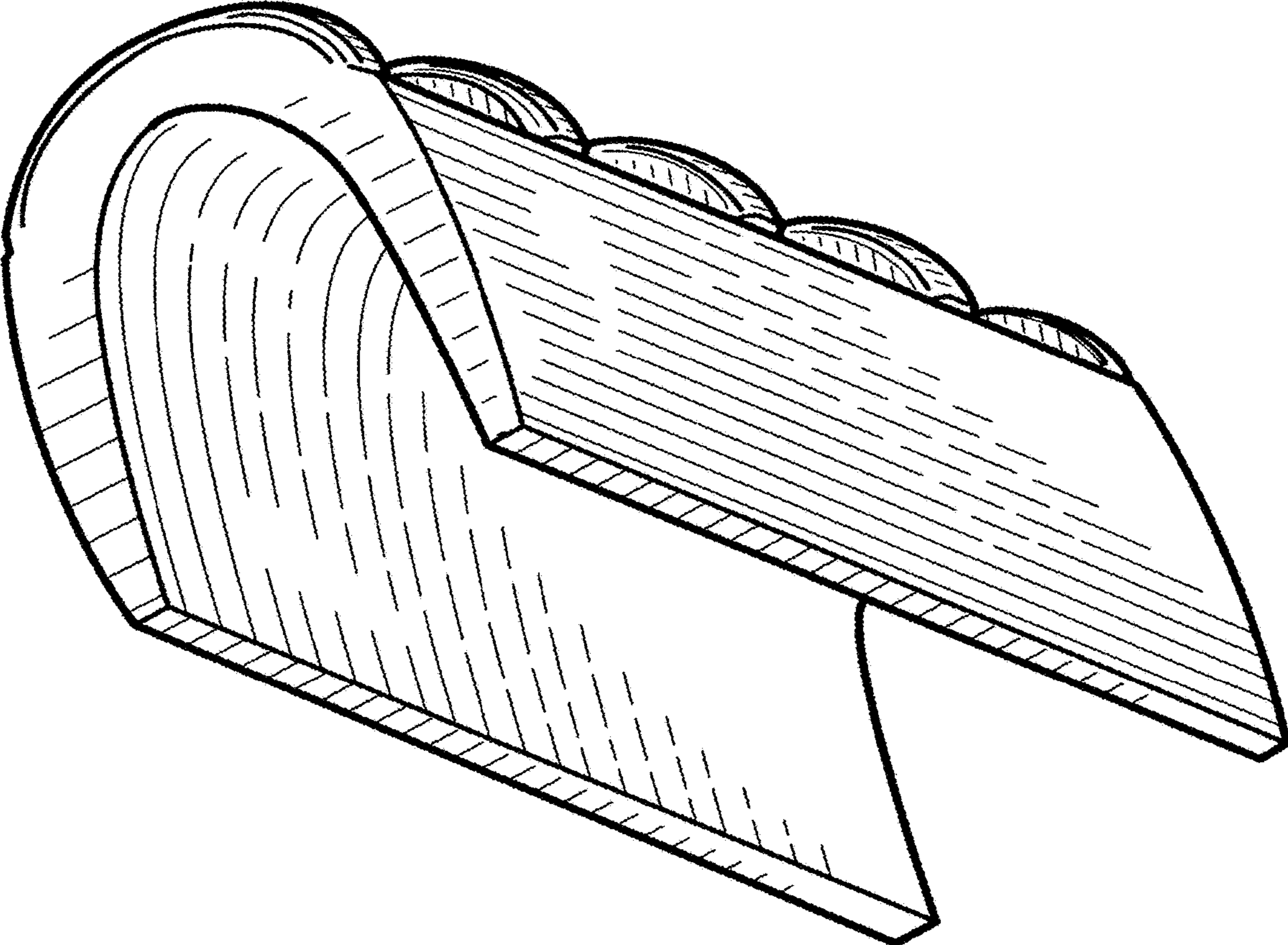


FIG. 3

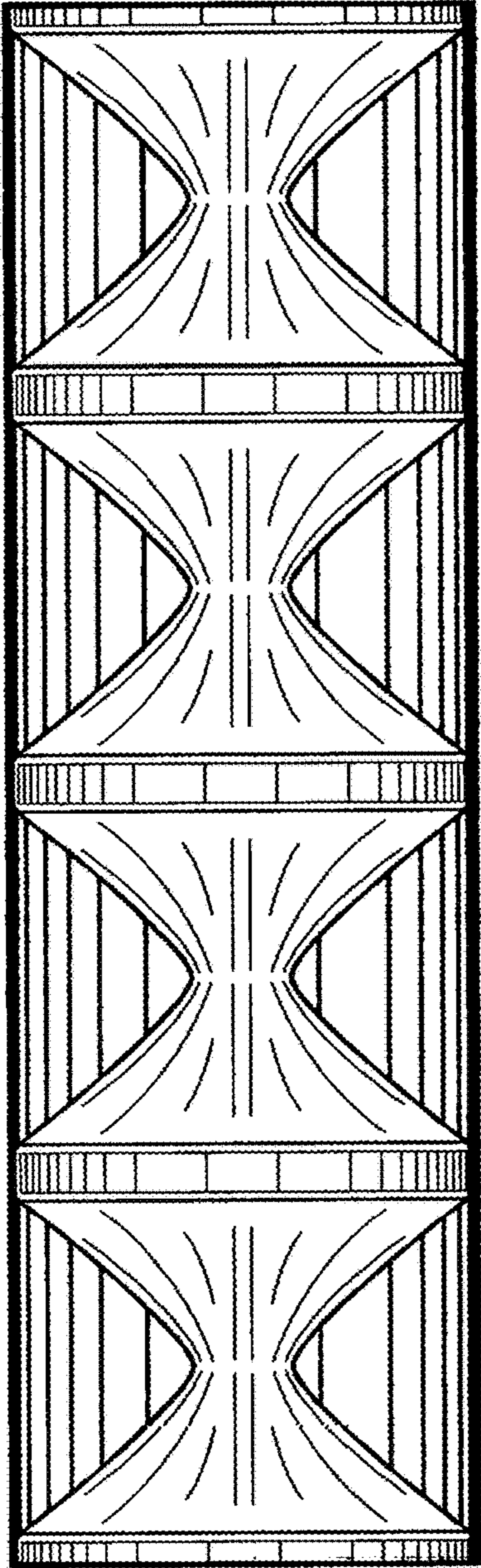


FIG. 4

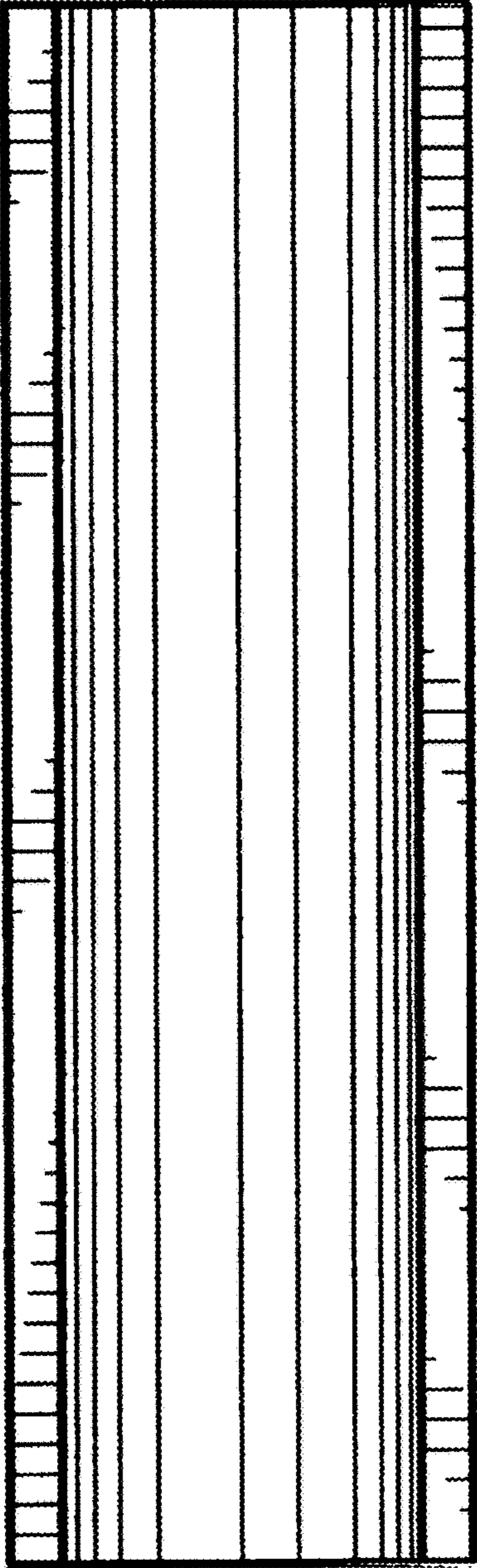


FIG. 5

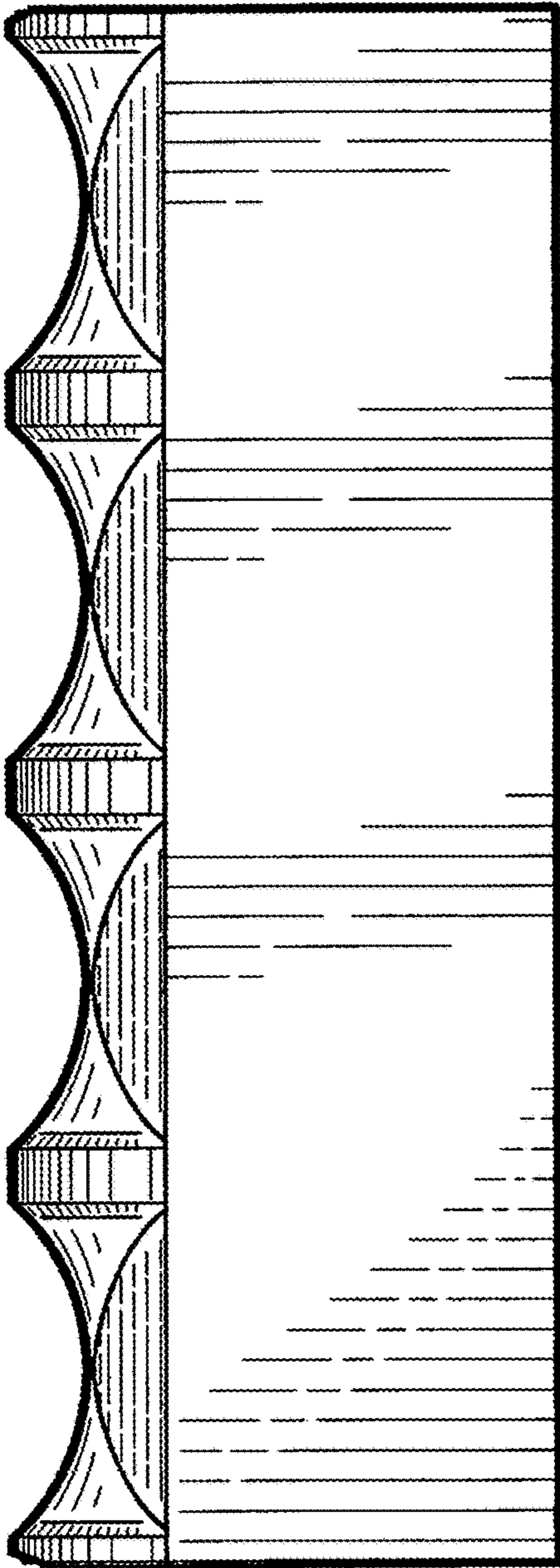


FIG. 6

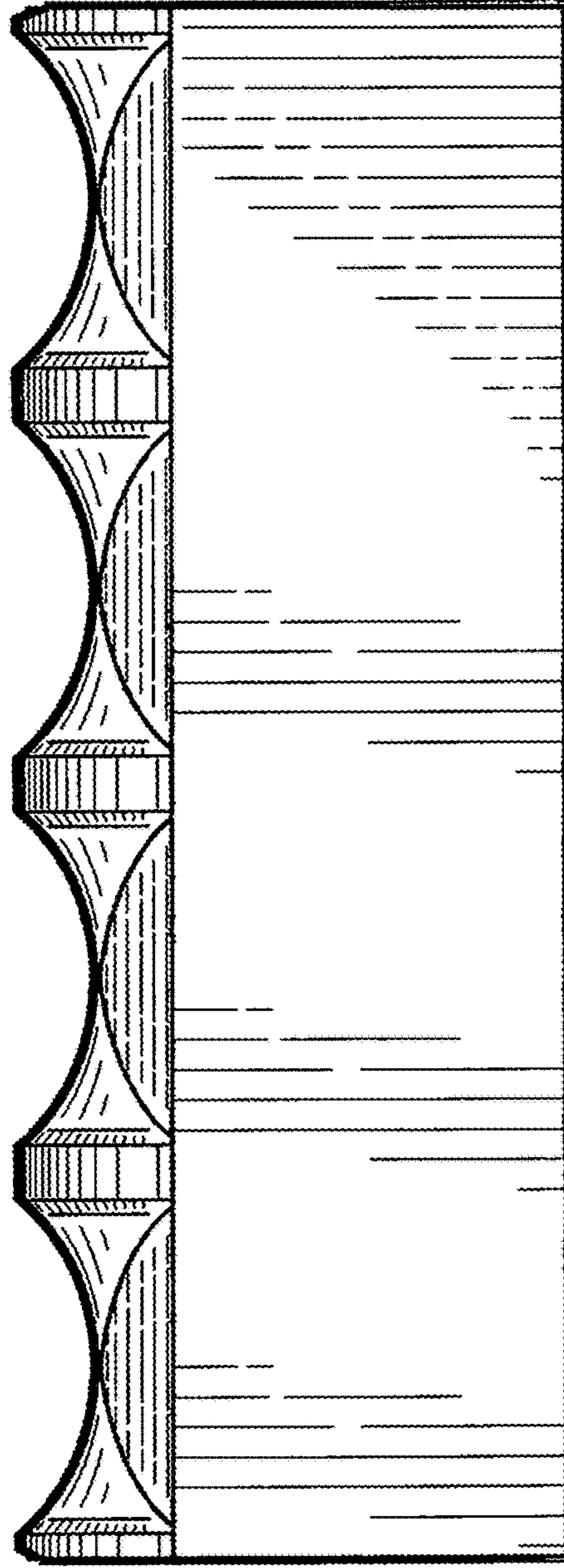


FIG. 7

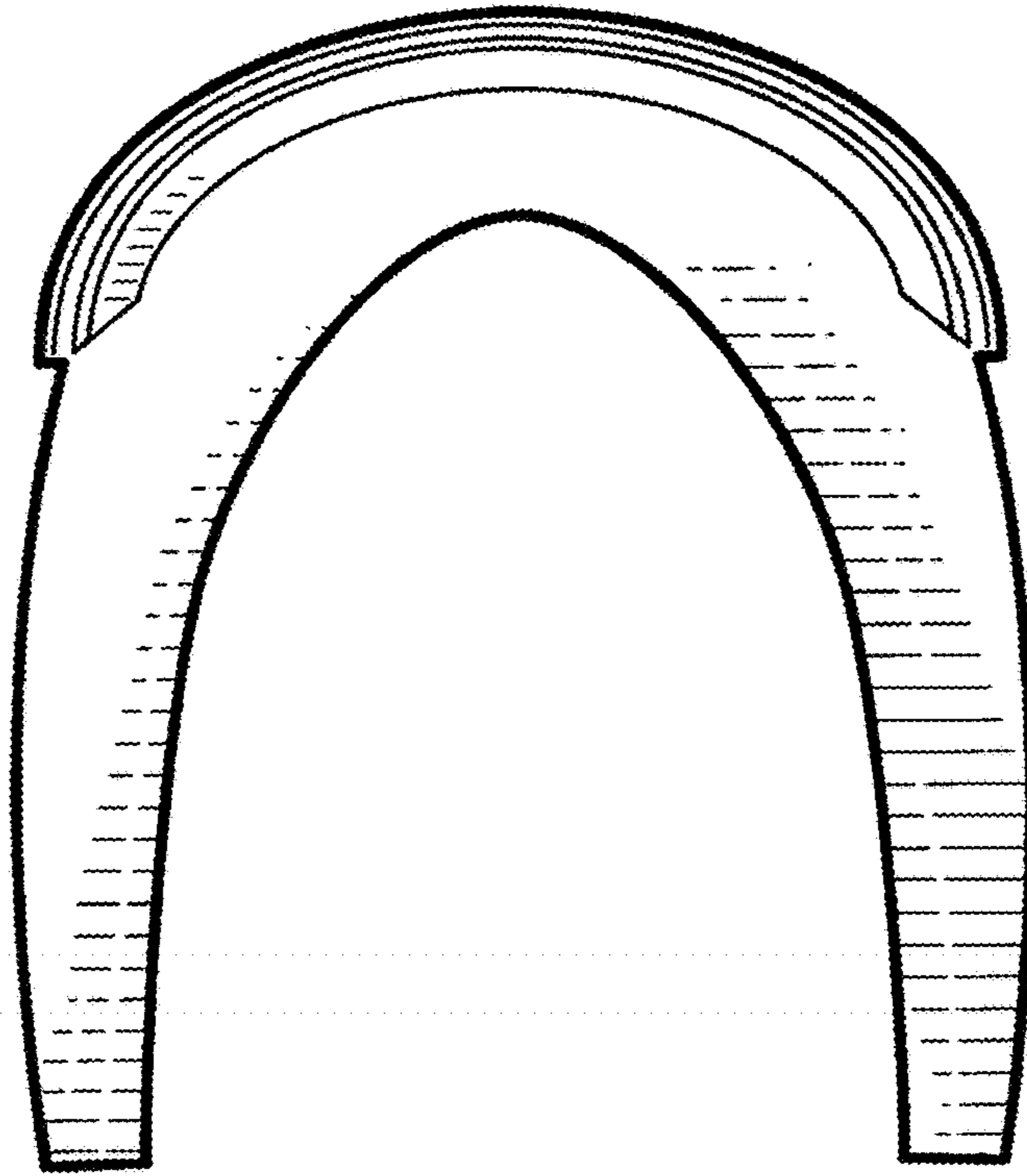


FIG. 8

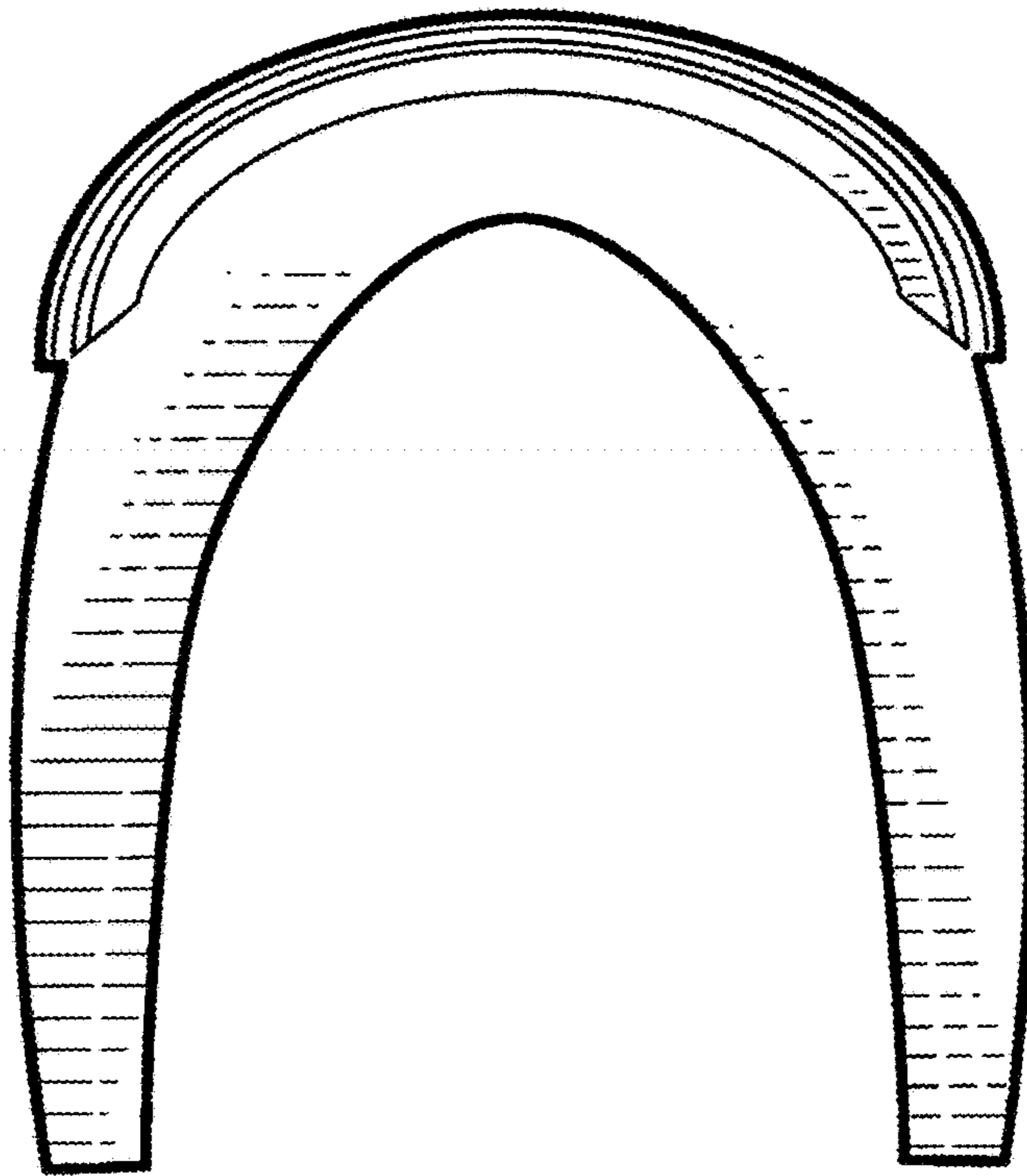


FIG. 9