



US00D867491S

(12) **United States Design Patent** (10) **Patent No.:** **US D867,491 S**
Berger (45) **Date of Patent:** **** Nov. 19, 2019**

(54) **JUMP ROPE CADDY**

(71) Applicant: **Hank Berger**, Oceanside, NY (US)

(72) Inventor: **Hank Berger**, Oceanside, NY (US)

(**) Term: **15 Years**

(21) Appl. No.: **29/614,929**

(22) Filed: **Aug. 24, 2017**

(51) **LOC (12) Cl.** **21-02**

(52) **U.S. Cl.**
USPC **D21/694**

(58) **Field of Classification Search**
USPC D21/672, 756, 662, 757, 684; D22/117;
D7/684, 649; D26/38, 49; D8/14, 303,
(Continued)

(56) **References Cited**

U.S. PATENT DOCUMENTS

D376,531 S * 12/1996 Polley D21/443
D499,013 S * 11/2004 Kessler D9/415
(Continued)

Primary Examiner — Ryan Harvey

(74) *Attorney, Agent, or Firm* — Amster, Rothstein & Ebenstein LLP

(57) **CLAIM**

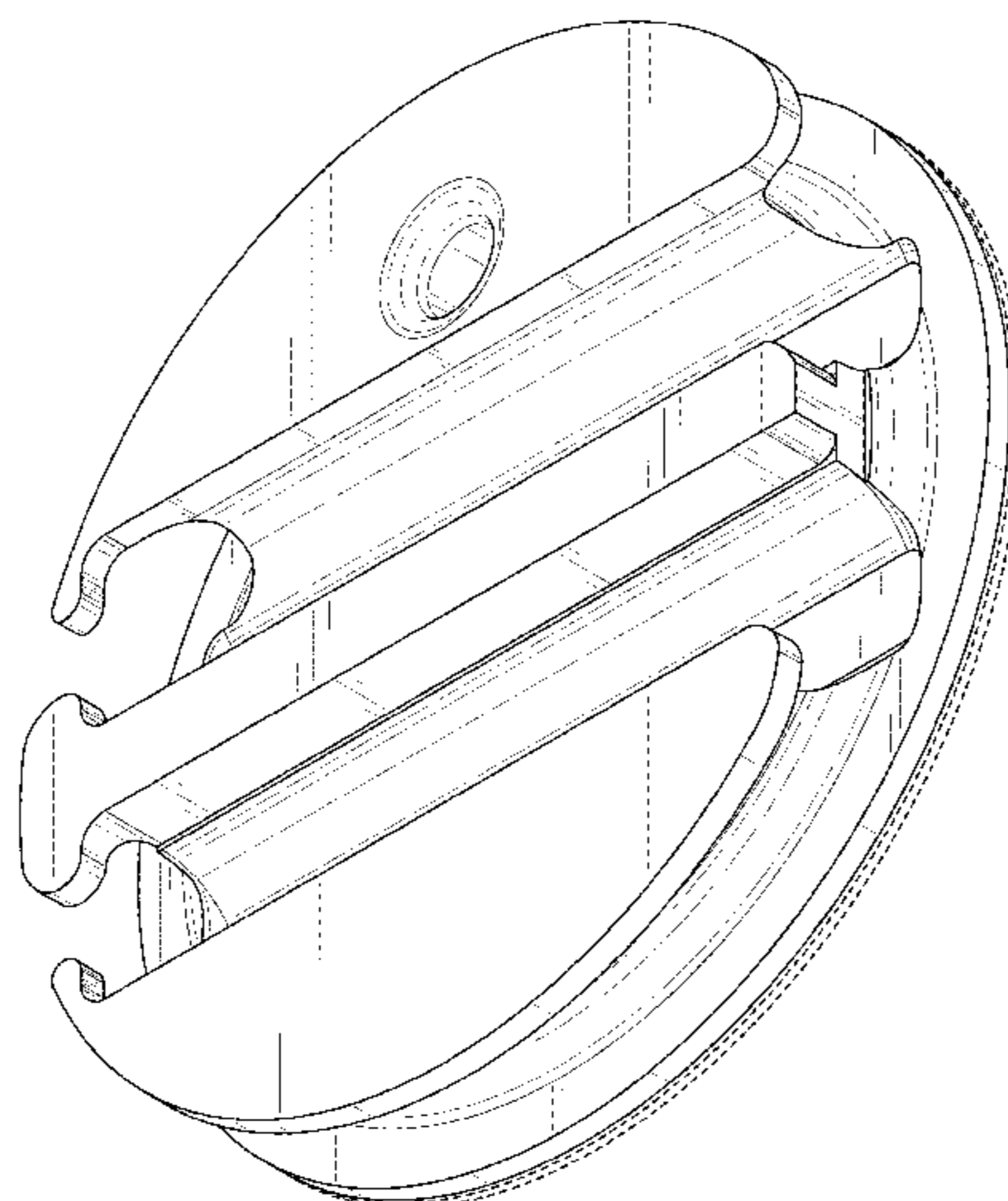
The ornamental design for a jump rope caddy, as shown and described.

DESCRIPTION

FIG. 1 is a perspective view of a first embodiment of a jump rope caddy showing my new design;
FIG. 2 is a top plan view of the jump rope caddy of FIG. 1;
FIG. 3 is a bottom plan view of the jump rope caddy of FIG. 1;

FIG. 4 is a front view of the jump rope caddy of FIG. 1;
FIG. 5 is a rear view of the jump rope caddy of FIG. 1;
FIG. 6 is a left side view of the jump rope caddy of FIG. 1;
FIG. 7 is a right side view of the jump rope caddy of FIG. 1;
FIG. 8 is another perspective view of the jump rope caddy of FIG. 1;
FIG. 9 is a perspective view of a second embodiment of a jump rope caddy showing my new design;
FIG. 10 is a top plan view of the jump rope caddy of FIG. 9;
FIG. 11 is a bottom plan view of the jump rope caddy of FIG. 9;
FIG. 12 is a front view of the jump rope caddy of FIG. 9;
FIG. 13 is a rear view of the jump rope caddy of FIG. 9;
FIG. 14 is a left side view of the jump rope caddy of FIG. 9;
FIG. 15 is a right side view of the jump rope caddy of FIG. 9;
FIG. 16 is another perspective view of the jump rope caddy of FIG. 9;
FIG. 17 is a perspective view a third embodiment of a jump rope caddy showing my new design;
FIG. 18 is a top plan view of the jump rope caddy of FIG. 17;
FIG. 19 is a bottom plan view of the jump rope caddy of FIG. 17;
FIG. 20 is a front view of the jump rope caddy of FIG. 17;
FIG. 21 is a rear view of the jump rope caddy of FIG. 17;
FIG. 22 is a left side view of the jump rope caddy of FIG. 17;
FIG. 23 is a right side view of the jump rope caddy of FIG. 17; and,
FIG. 24 is another perspective view of the jump rope caddy of FIG. 17.
The portion(s) of the jump rope caddy shown in broken lines are for environmental purposes only and do not form part of the claimed design.

1 Claim, 18 Drawing Sheets



(58) **Field of Classification Search**

USPC D8/373; 482/82, 49; D15/66; D9/621;
D19/77

CPC ... A63B 5/20; A63B 2208/12; A63B 21/4035;
A63B 2071/0625; A63B 2207/02; A63B
5/205; A63B 53/14; Y10T 16/476; Y10T
74/20828

See application file for complete search history.

(56) **References Cited**

U.S. PATENT DOCUMENTS

D623,501 S	9/2010	Blonder	
D623,502 S	9/2010	Blonder	
D669,937 S *	10/2012	Lira-Nunez	D19/77
D748,158 S *	1/2016	Ng	D15/66

* cited by examiner

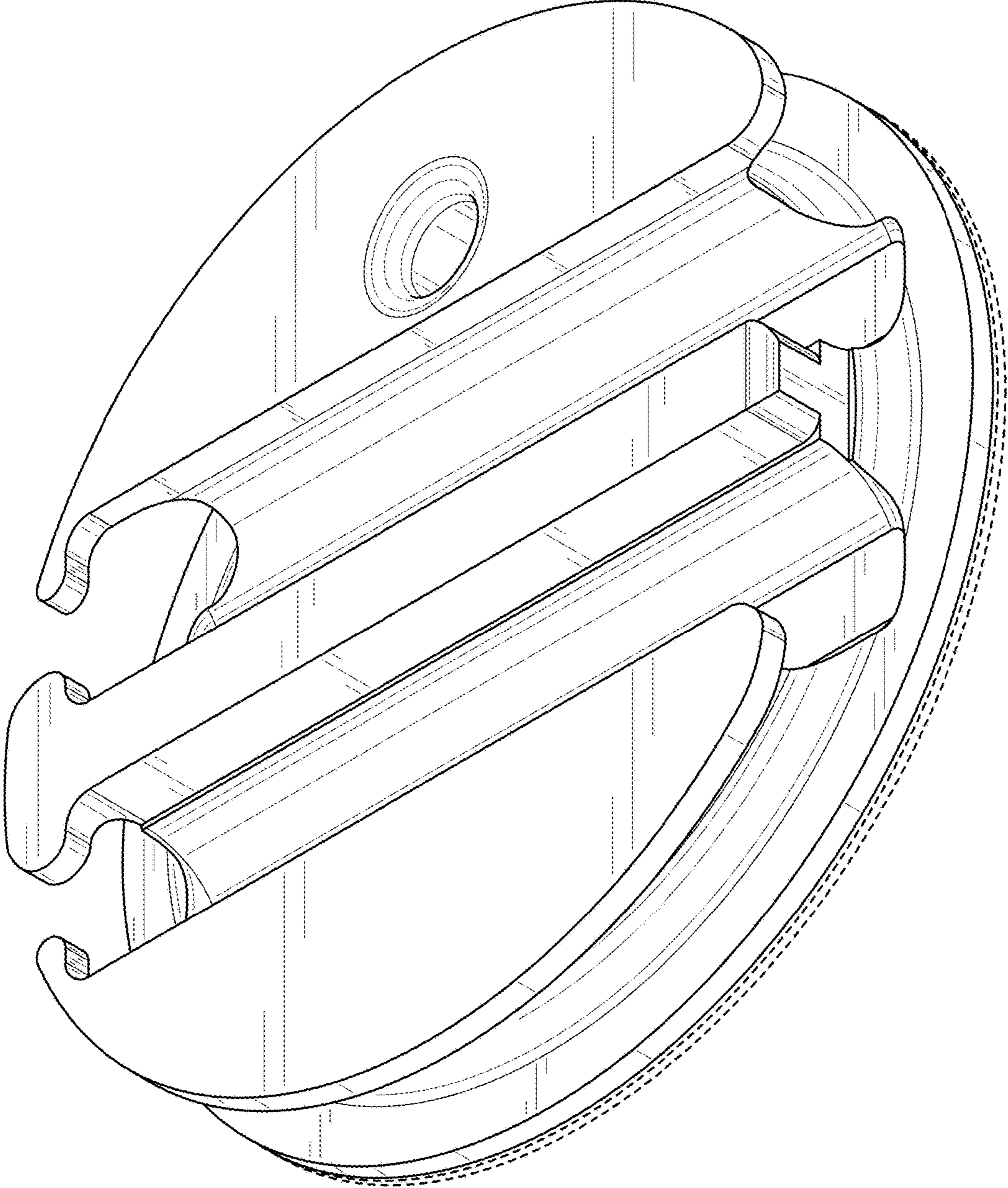


FIG. 1

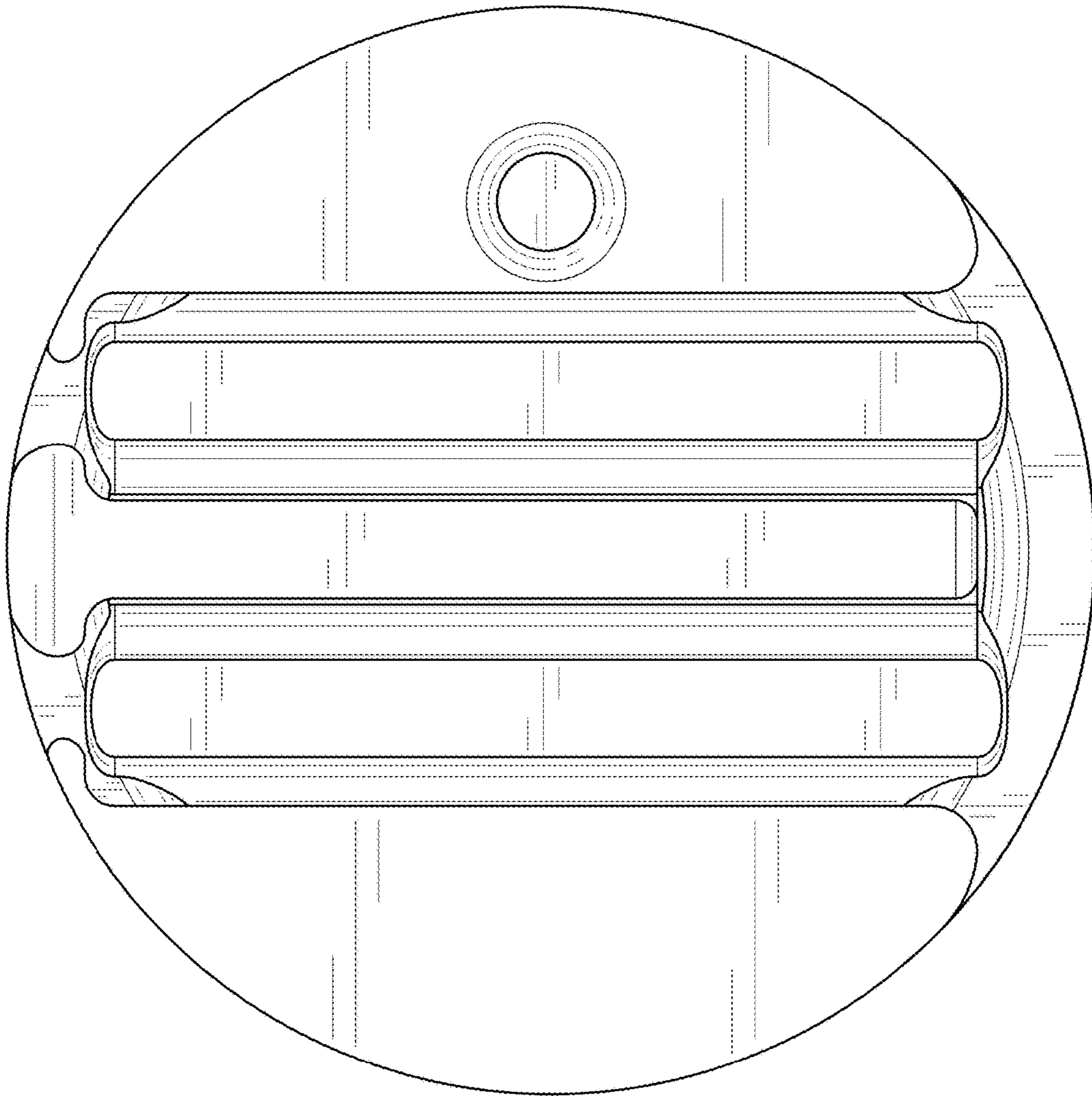


FIG. 2

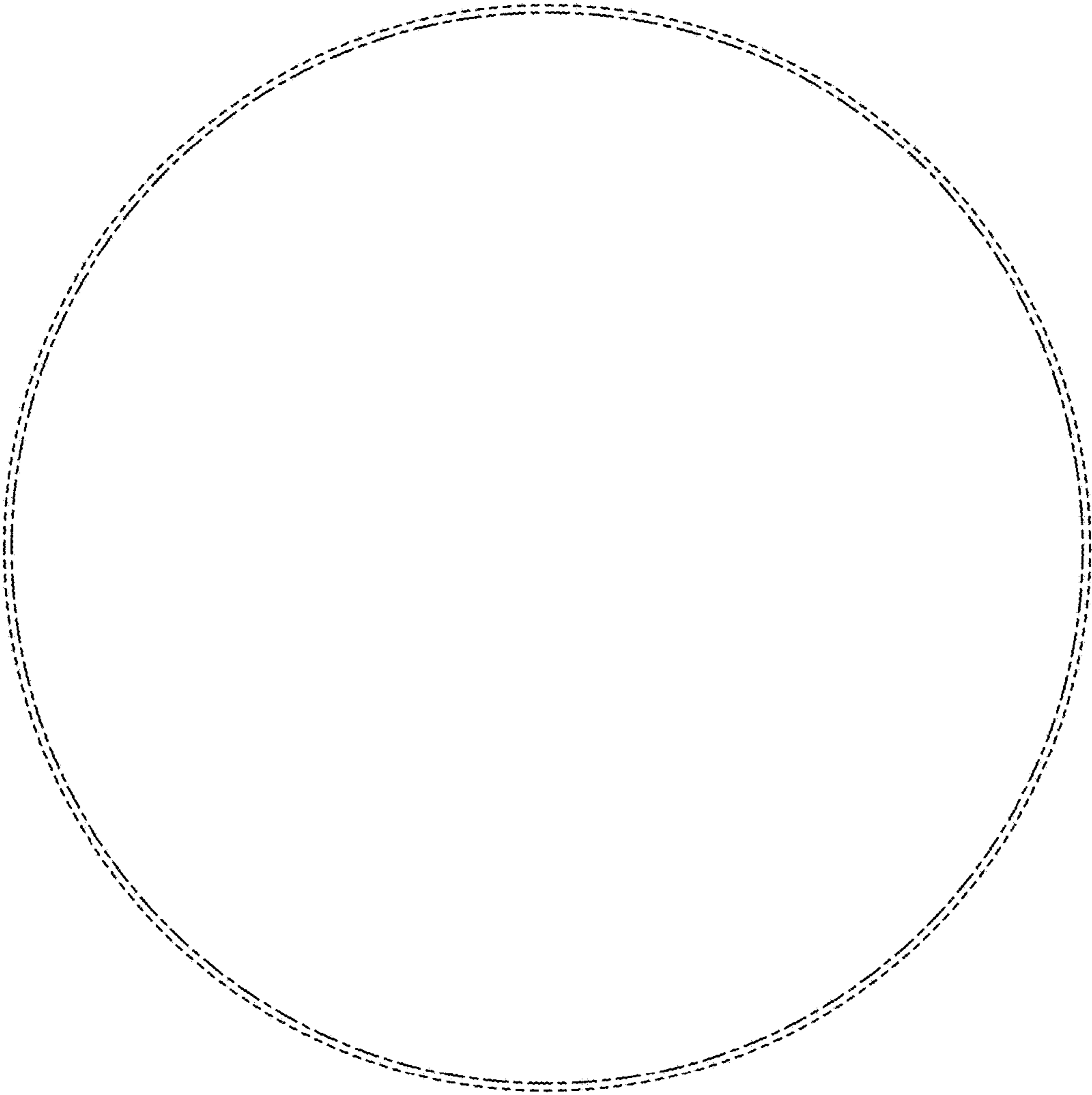


FIG. 3

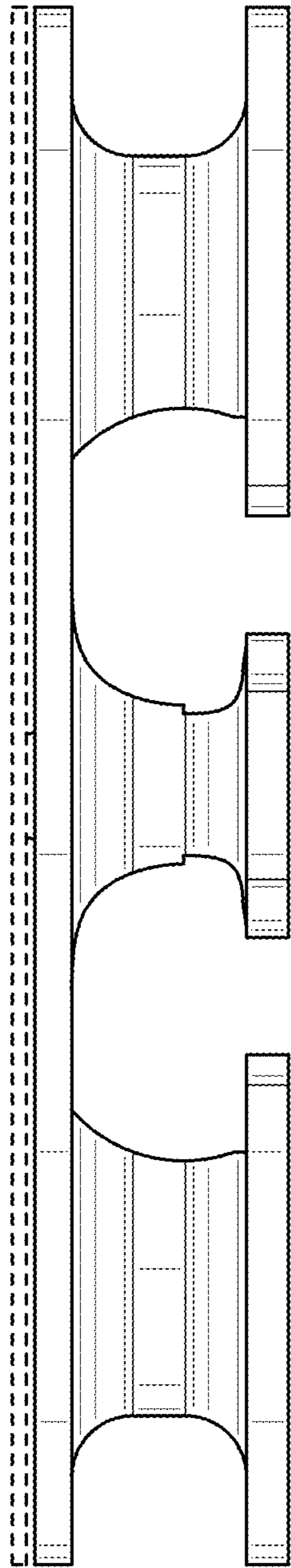


FIG. 4

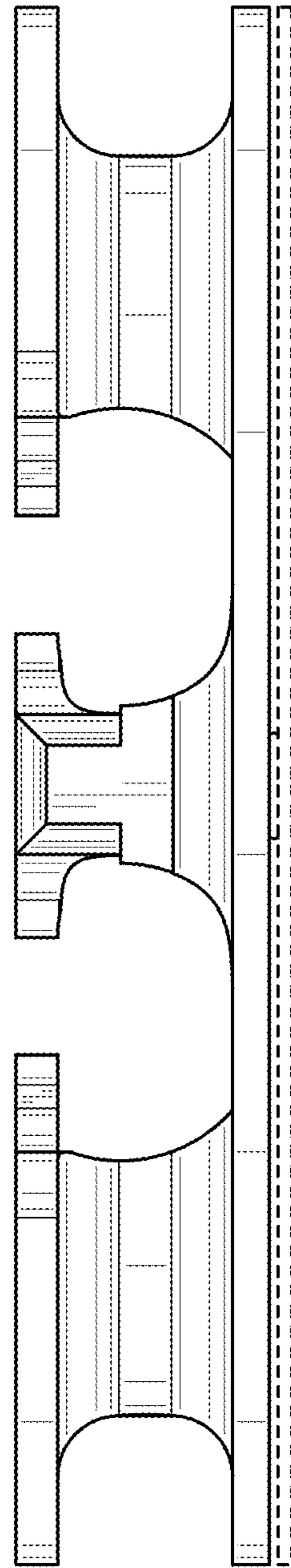


FIG. 5

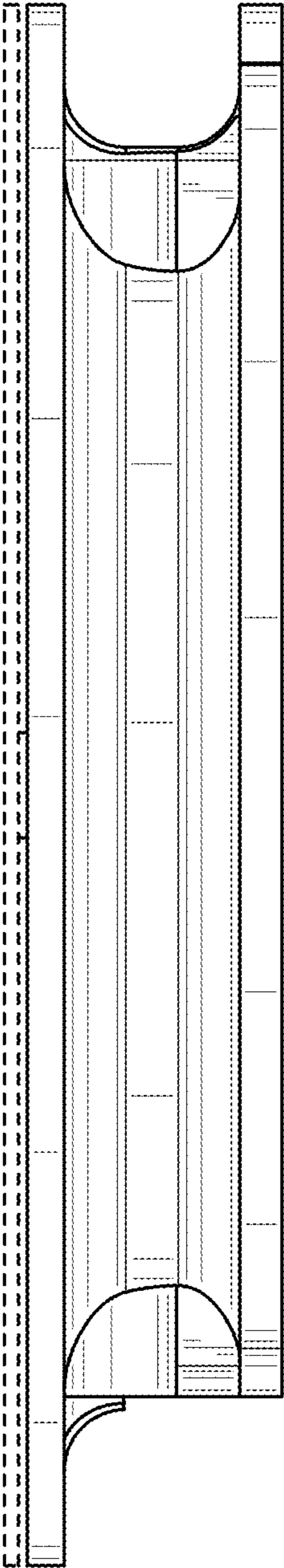


FIG. 6

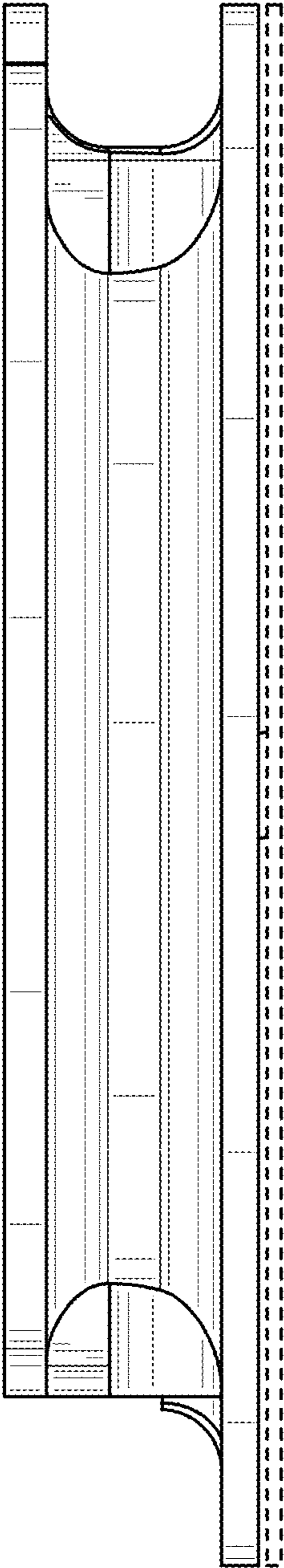


FIG. 7

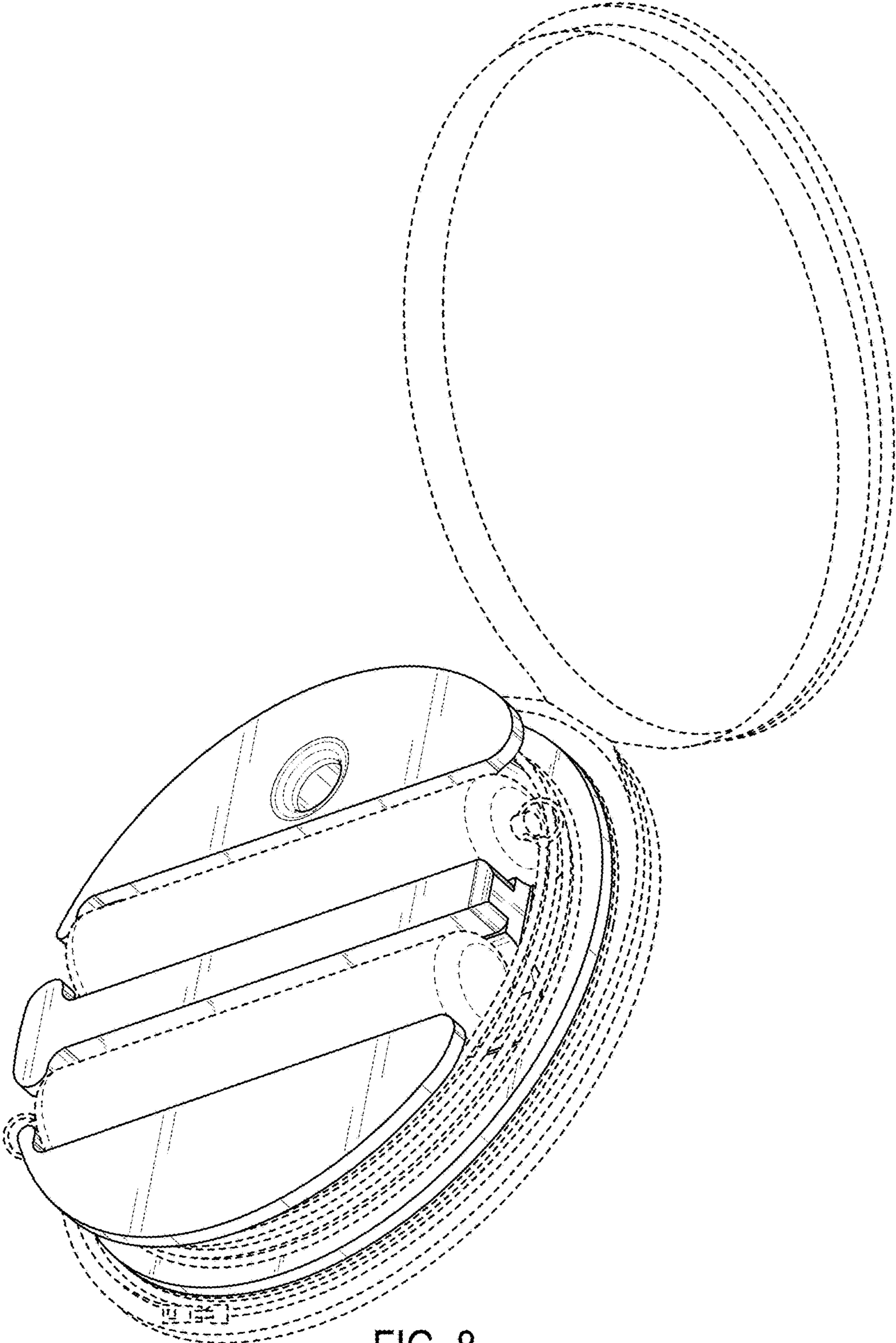


FIG. 8

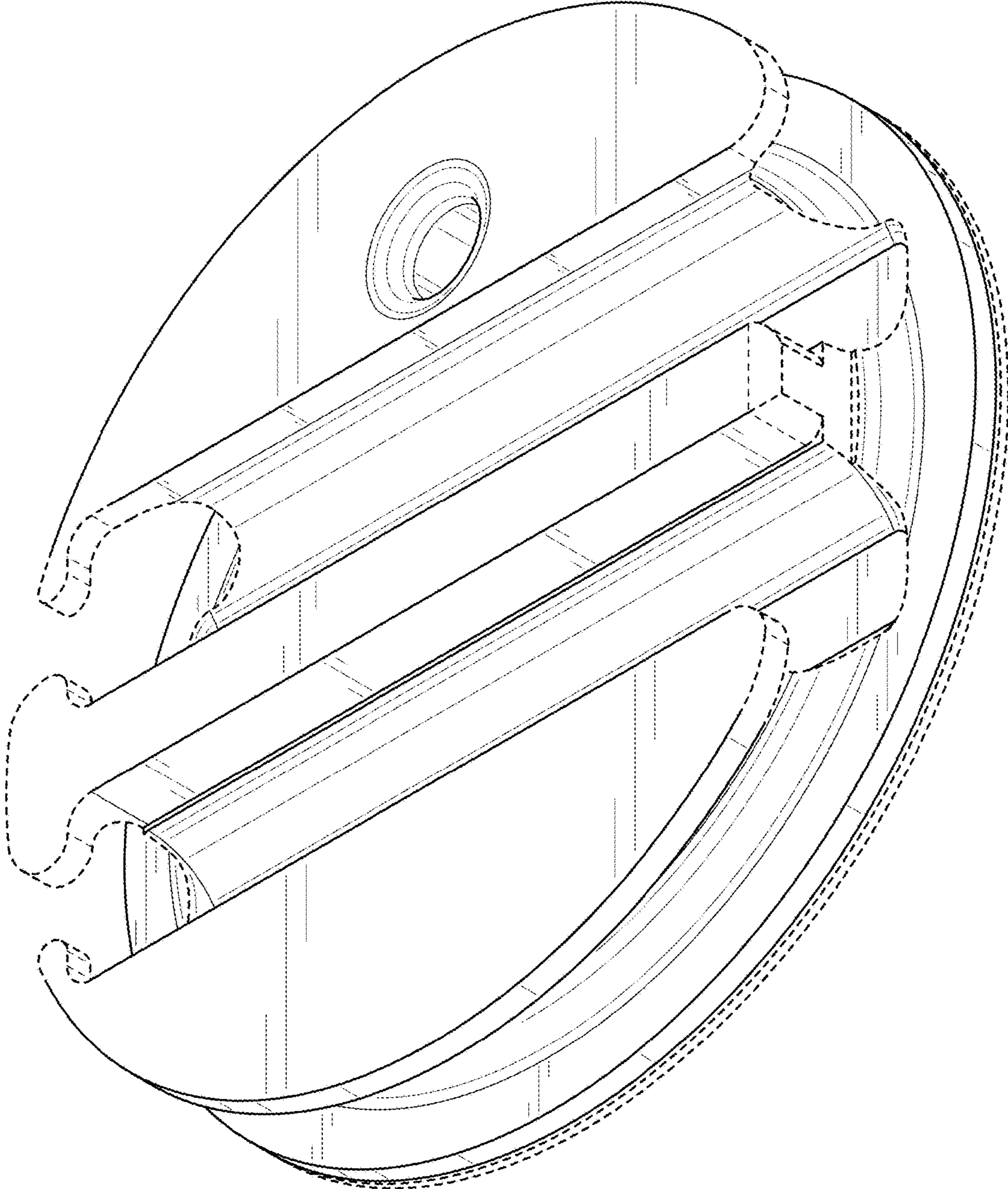


FIG. 9

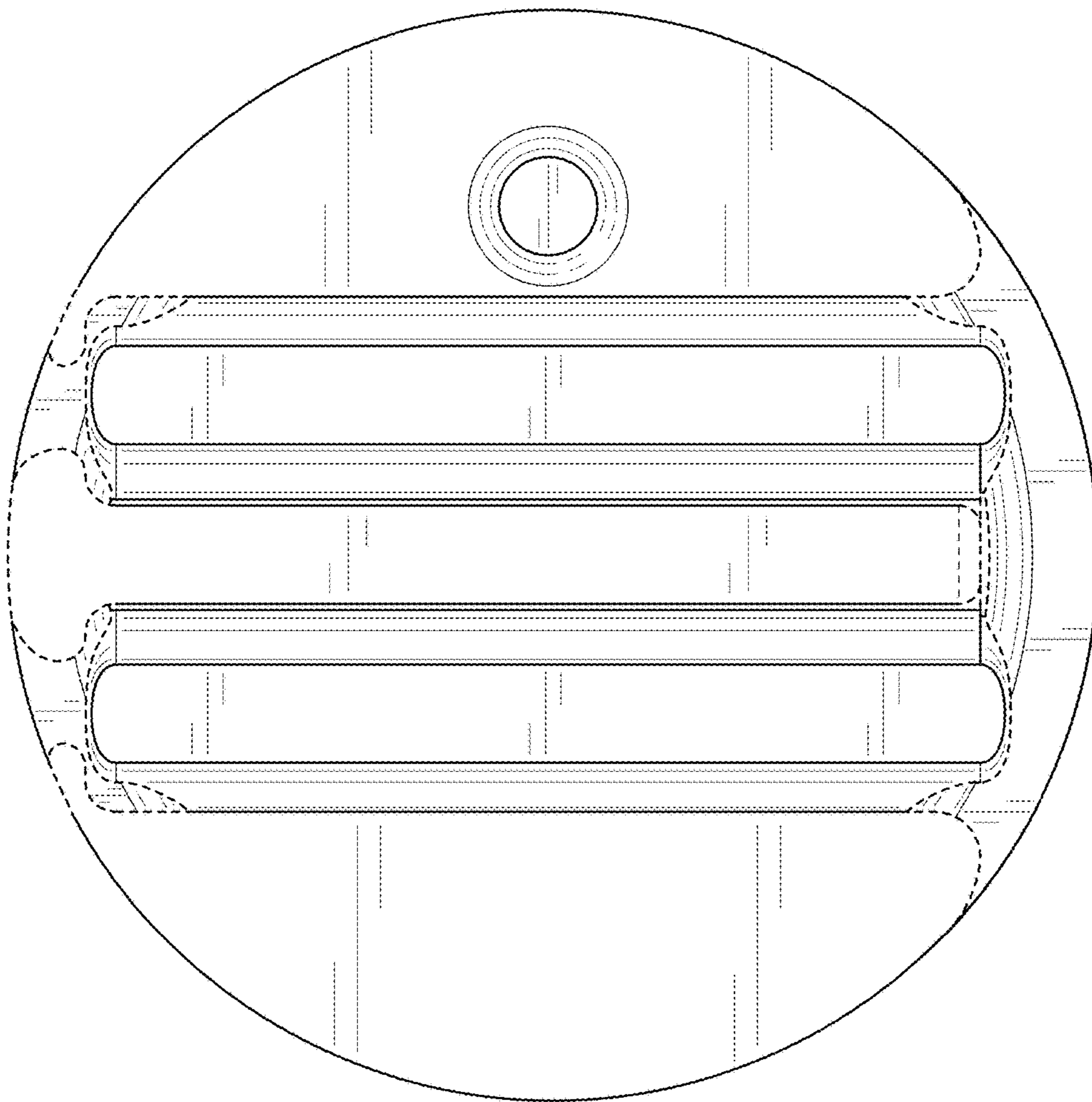


FIG. 10

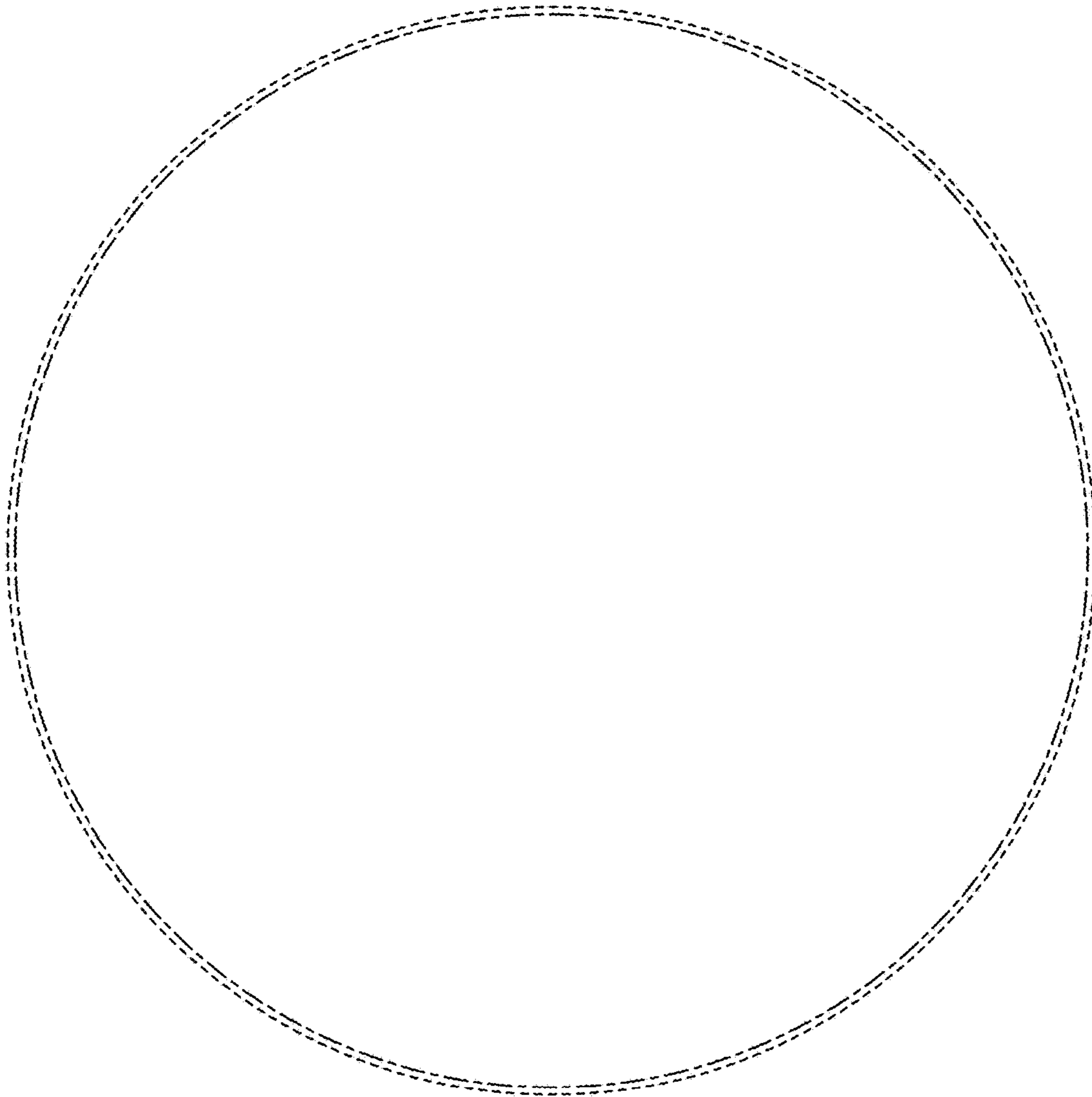


FIG. 11

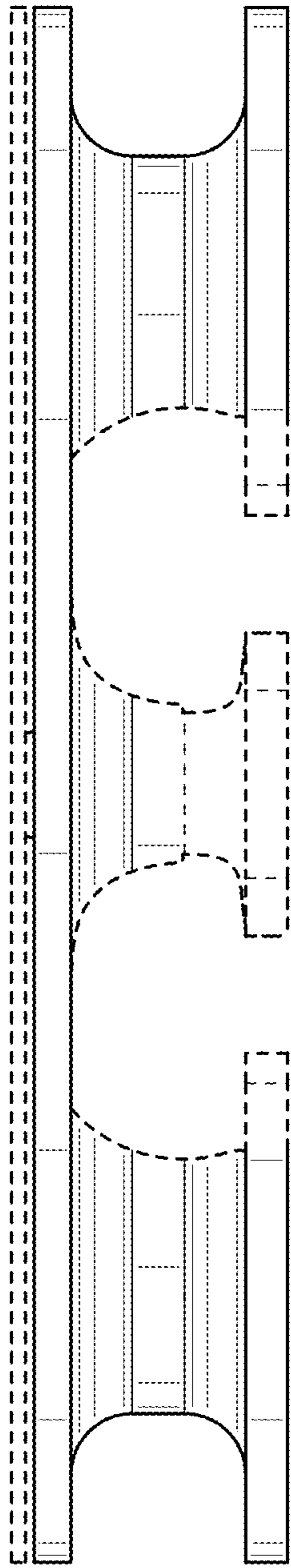


FIG. 12

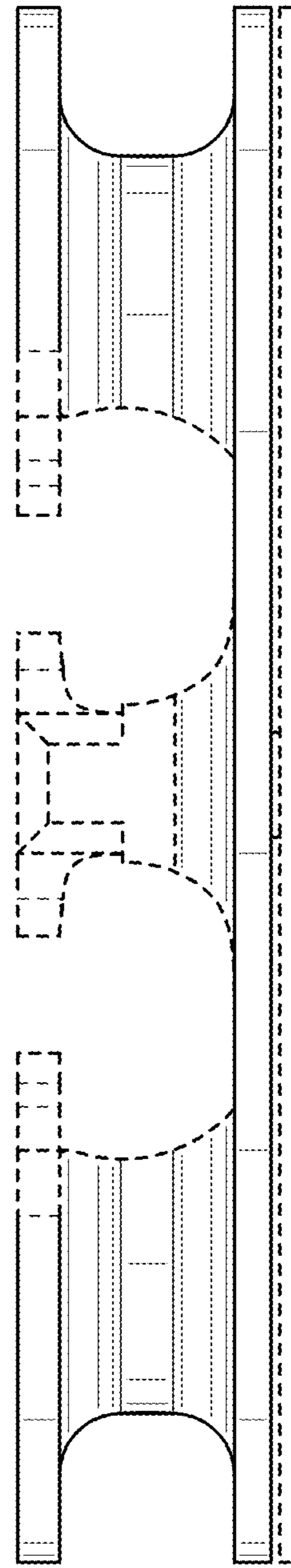


FIG. 13

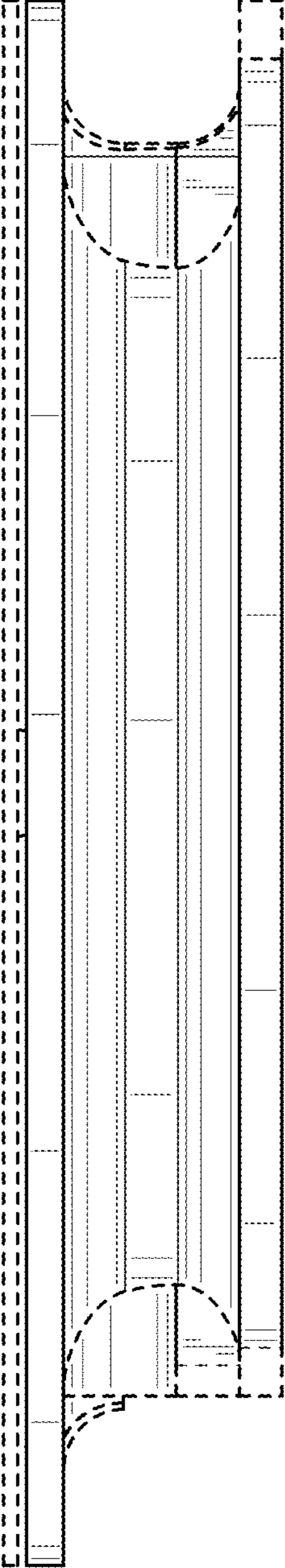


FIG. 14

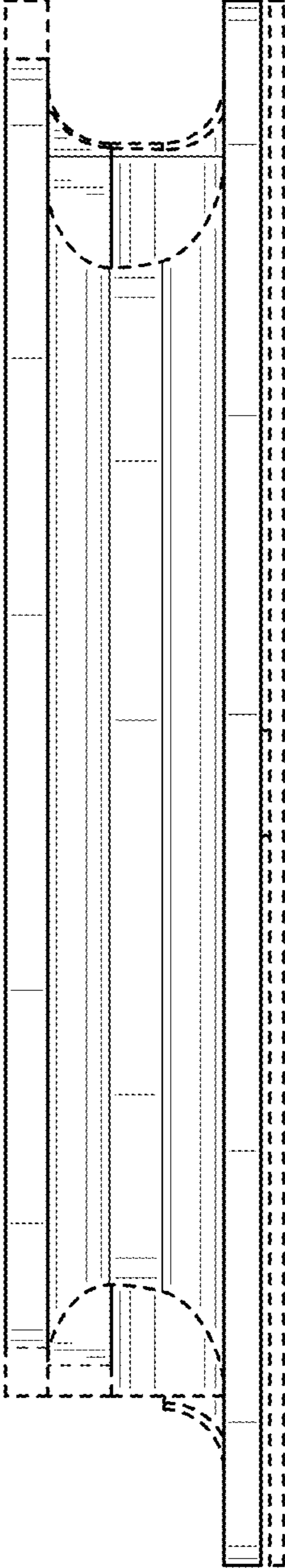


FIG. 15

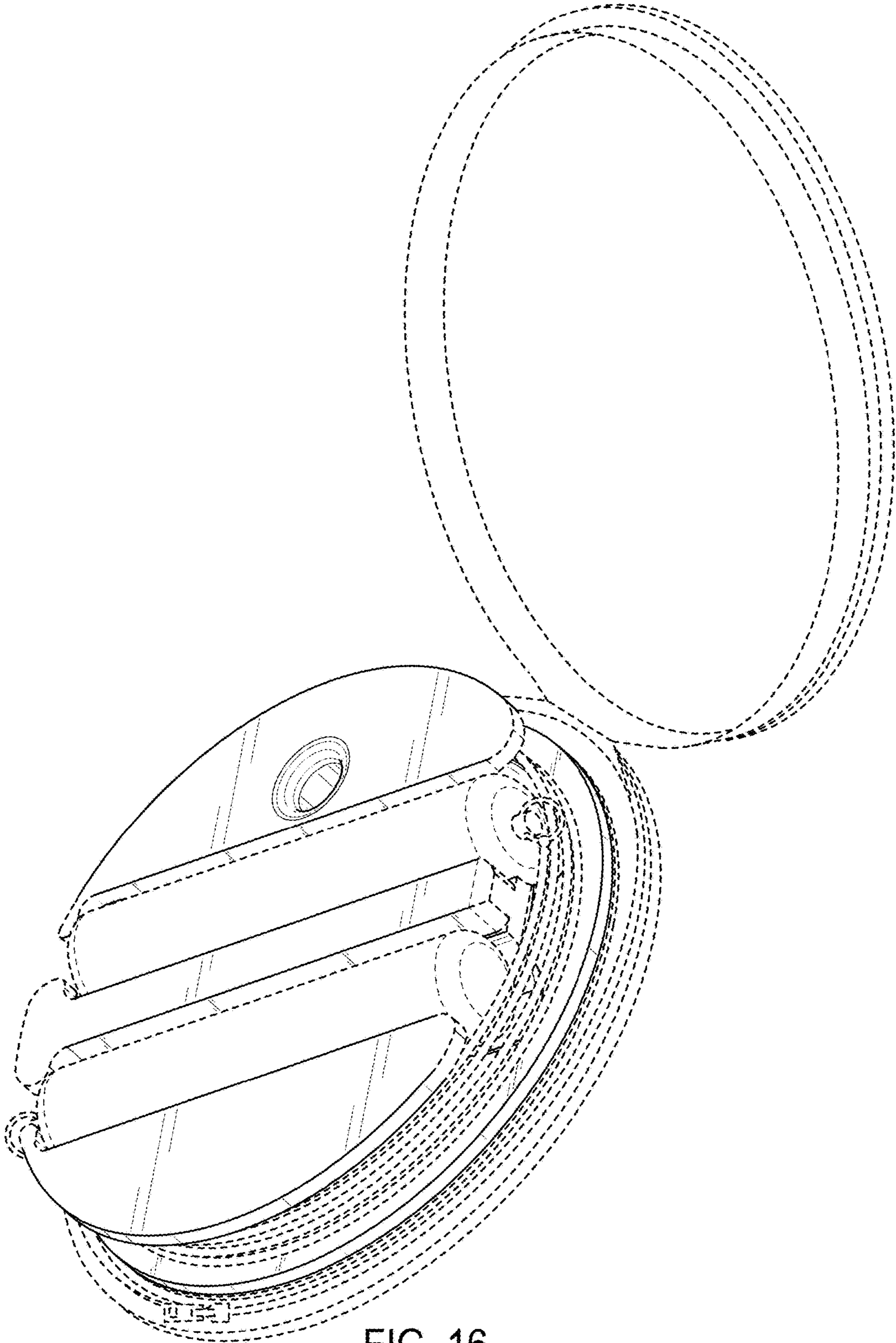


FIG. 16

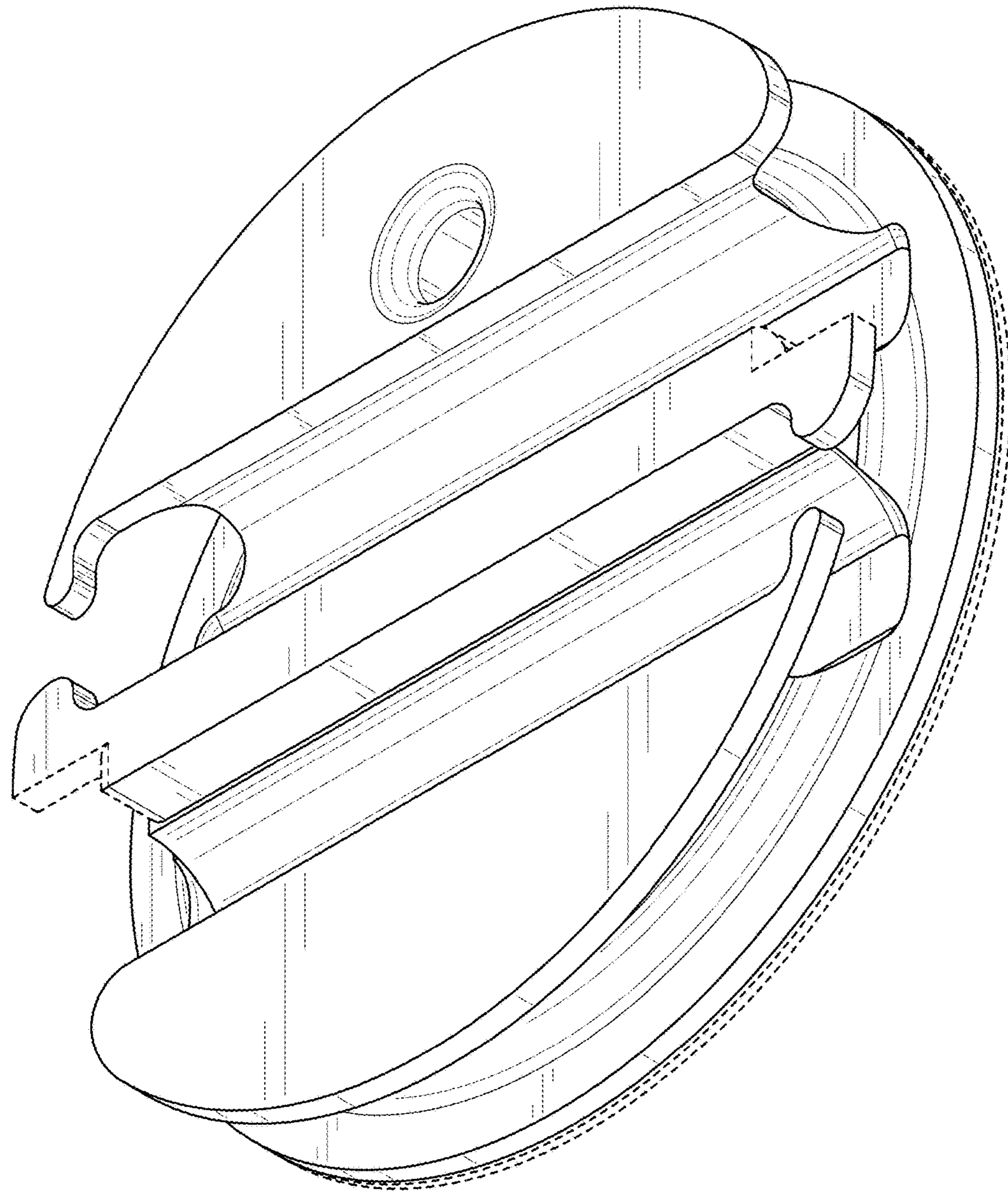


FIG. 17

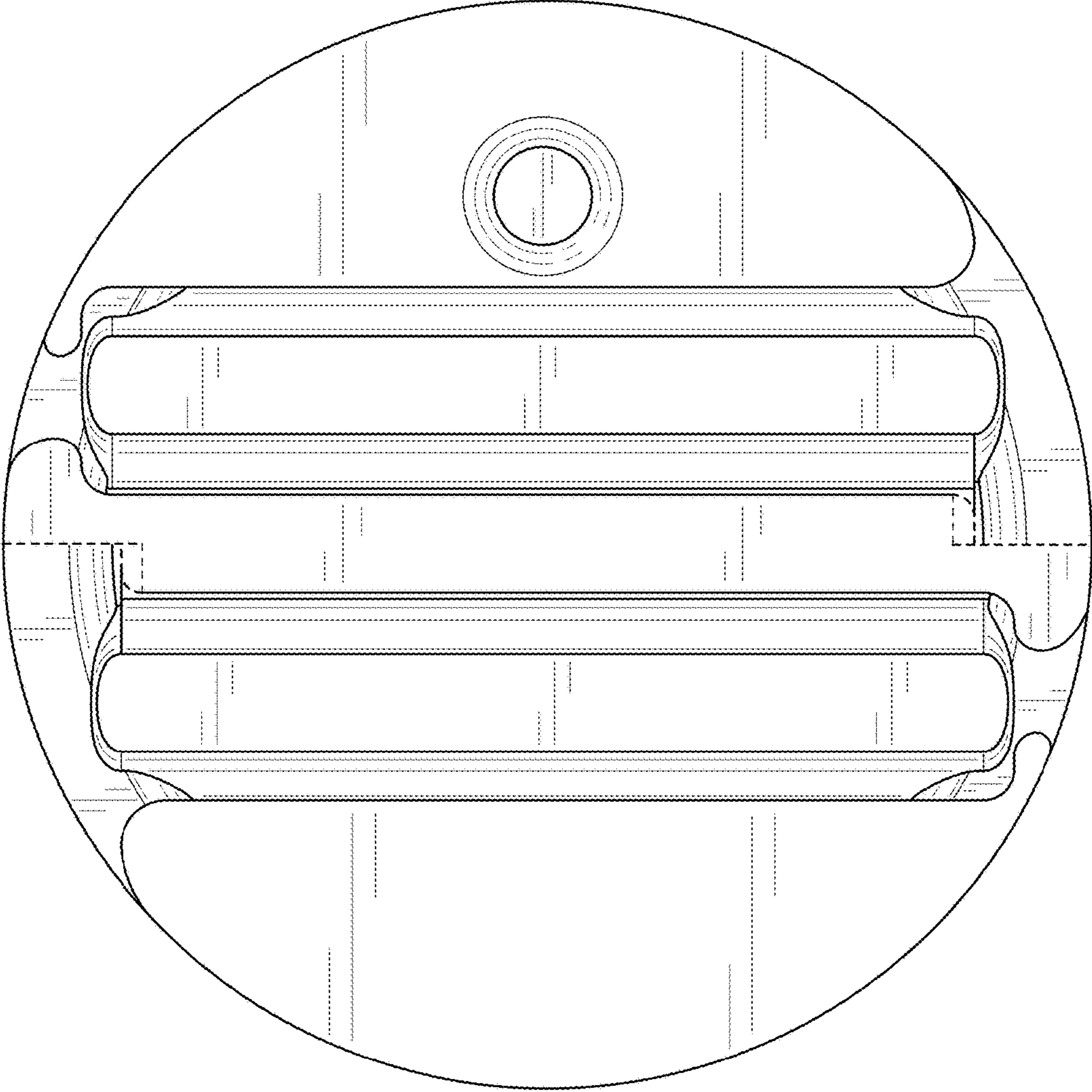


FIG. 18

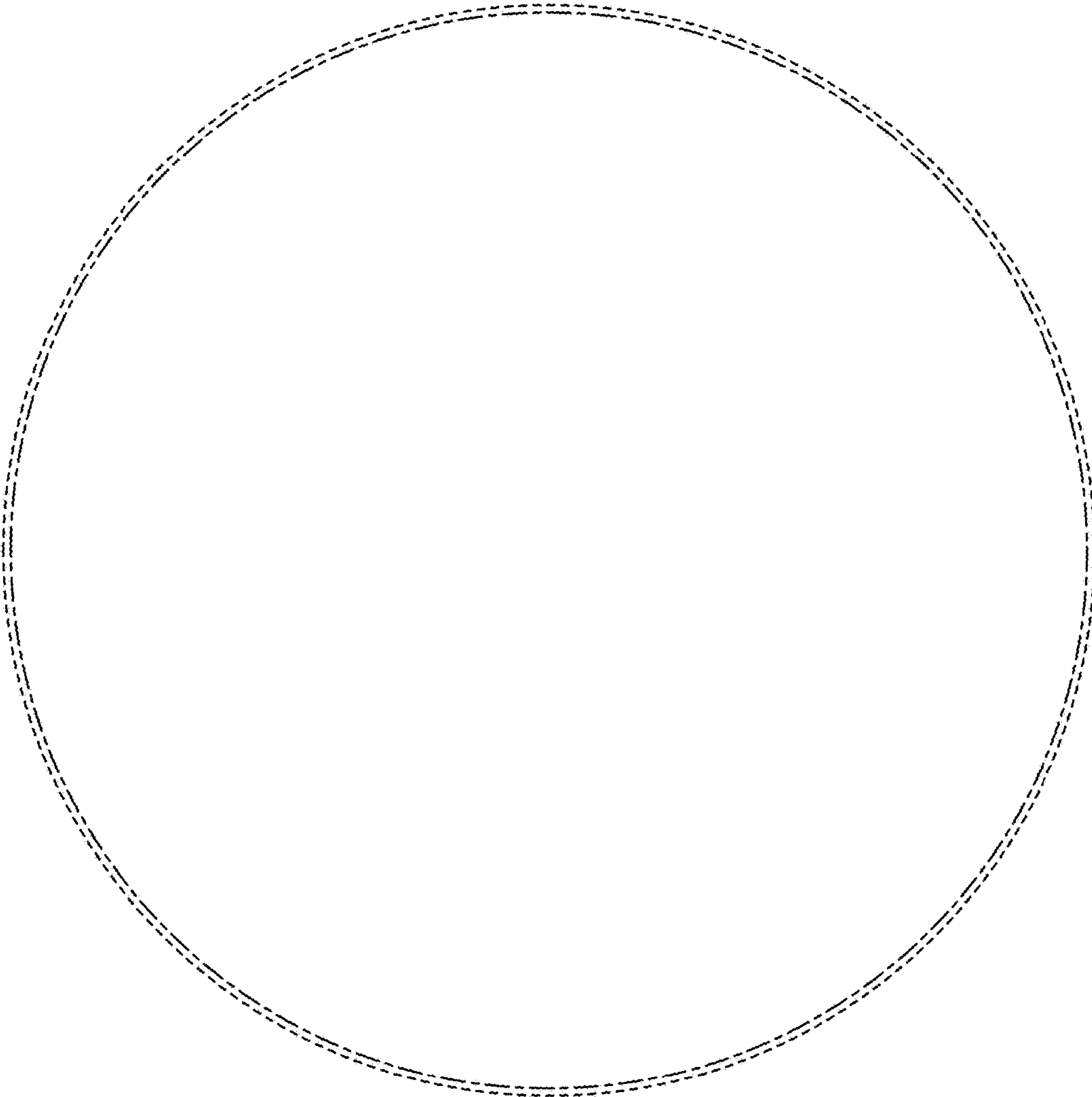


FIG. 19

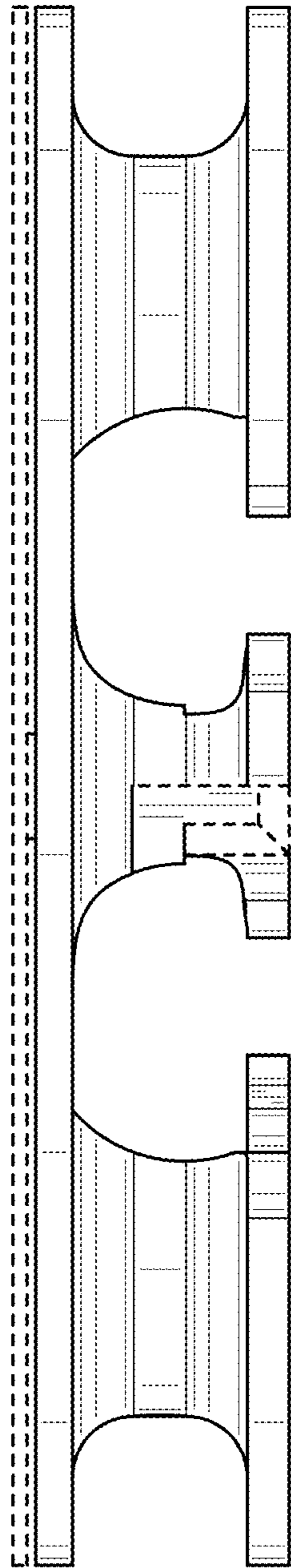


FIG. 20

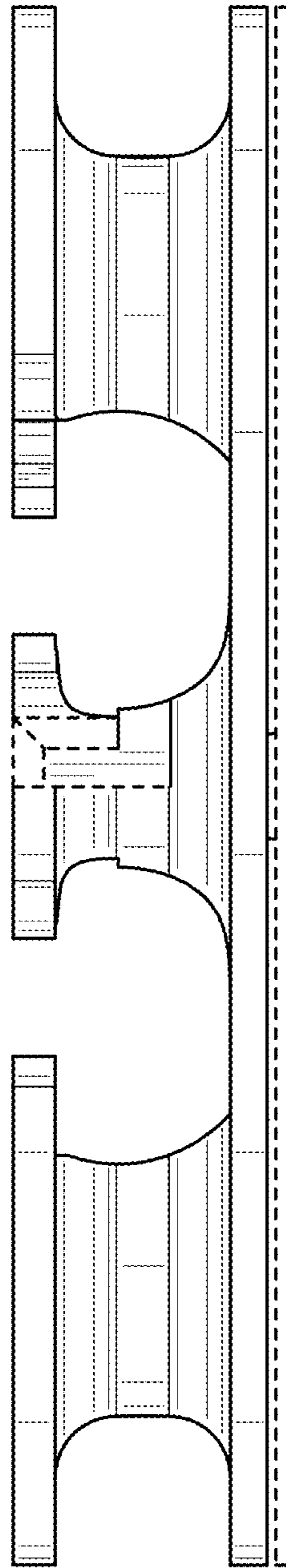


FIG. 21

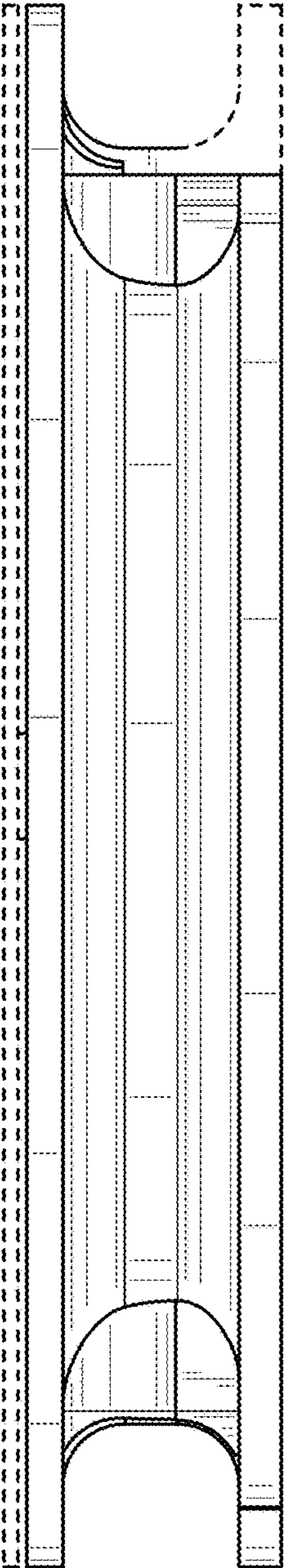


FIG. 22

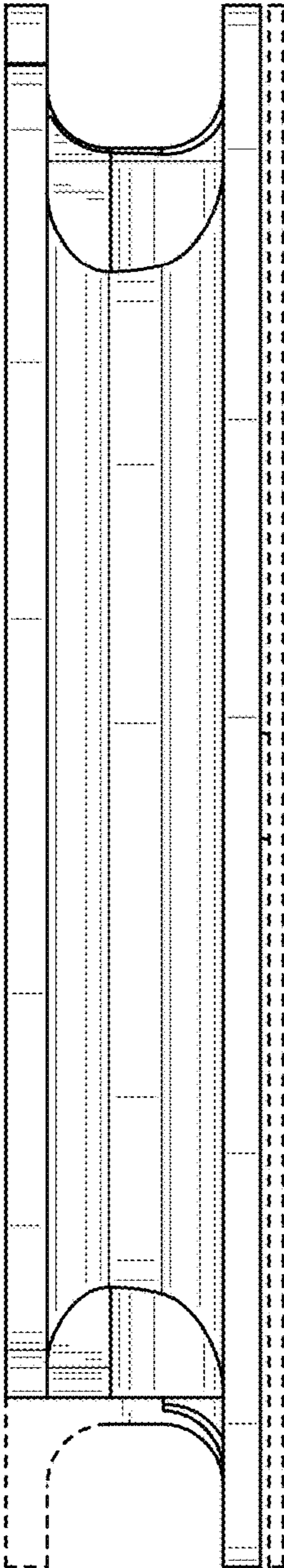


FIG. 23

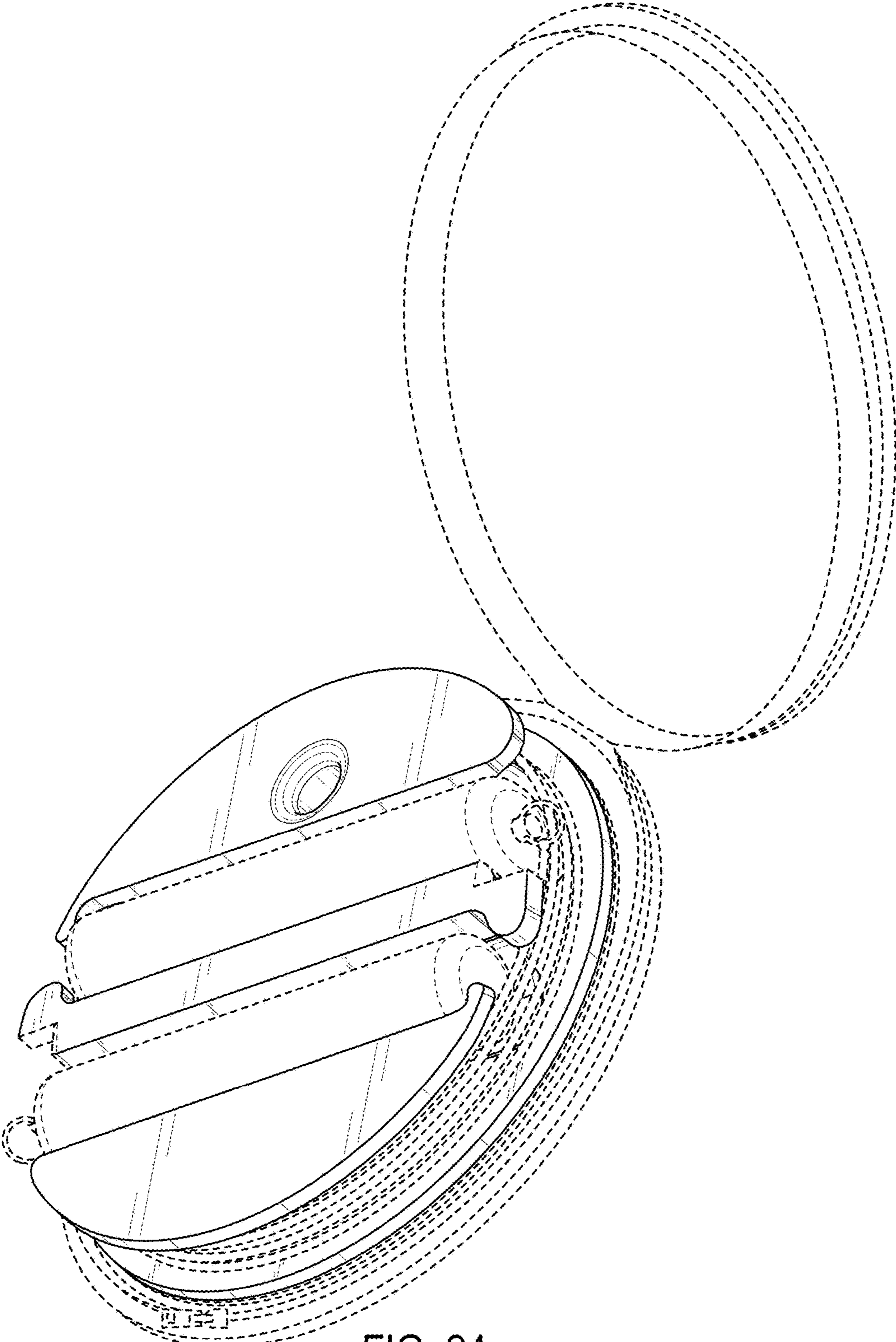


FIG. 24