



US00D867490S

(12) **United States Design Patent** (10) **Patent No.:** **US D867,490 S**
Noback et al. (45) **Date of Patent:** **** Nov. 19, 2019**

(54) **TORSO TRAINER**
(71) Applicant: **ALLTrand, Inc.**, Alpharetta, GA (US)
(72) Inventors: **Carl Noback**, Alpharetta, GA (US);
Don Gasgarth, Alpharetta, GA (US);
Karl Poehls, Alpharetta, GA (US);
Jeffrey Zwitter, Alpharetta, GA (US)
(73) Assignee: **ALLTrand, Inc.**, Alpharetta, GA (US)
(**) Term: **15 Years**
(21) Appl. No.: **29/635,369**
(22) Filed: **Jan. 30, 2018**
(51) **LOC (12) Cl.** **21-02**
(52) **U.S. Cl.**
USPC **D21/686**; D21/662
(58) **Field of Classification Search**
USPC D21/321, 322, 323, 326, 367, 419, 430,
D21/468, 470, 471, 492, 497, 503, 569,
D21/662, 665, 666, 686-690, 696, 811,
D21/814, 817, 818, 826-828; 482/92, 98,
482/101, 117, 123, 135, 146, 148;
187/200, 201; D13/169, 170, 172, 174;
D6/626.1, 601
CPC A63B 23/0211; A63B 2208/0233; A63B
2208/0228; A63B 21/00047; A63G 31/00;
A63G 31/10; A63G 31/14; A63G 31/02;
A63G 25/00; A63G 2031/002; A63G
2031/005
See application file for complete search history.

(56) **References Cited**
U.S. PATENT DOCUMENTS
D177,585 S * 5/1956 Ouellette D21/665
D220,400 S * 4/1971 Essman D21/503
D284,394 S * 6/1986 Bengtson D21/676
D290,476 S * 6/1987 Ryaa D21/497

5,527,247 A * 6/1996 Archambault ... A63B 23/03533
482/123
D406,718 S * 3/1999 Jacobs D21/686
D478,138 S * 8/2003 Juliusson D21/690
D500,829 S * 1/2005 Hadley D21/817
D509,269 S * 9/2005 Decker D21/686
D524,385 S * 7/2006 Webb D21/687
D572,667 S * 7/2008 Mayo D13/170
8,087,496 B1 * 1/2012 Taylor B66B 9/083
187/245
D675,267 S * 1/2013 Jamison, Jr. D21/686
D681,751 S * 5/2013 Meyer-Hayoz D21/686
D702,790 S * 4/2014 Cirjak D21/818
D708,691 S * 7/2014 Laurin D21/828
9,469,507 B2 * 10/2016 Awerbuch B66B 9/08
9,486,661 B2 * 11/2016 Thomson A63B 21/4047
D802,676 S * 11/2017 Steelman D21/326
D807,973 S * 1/2018 Leonardo D21/686
D837,909 S * 1/2019 Noback D21/686
D838,788 S * 1/2019 Noback D21/662

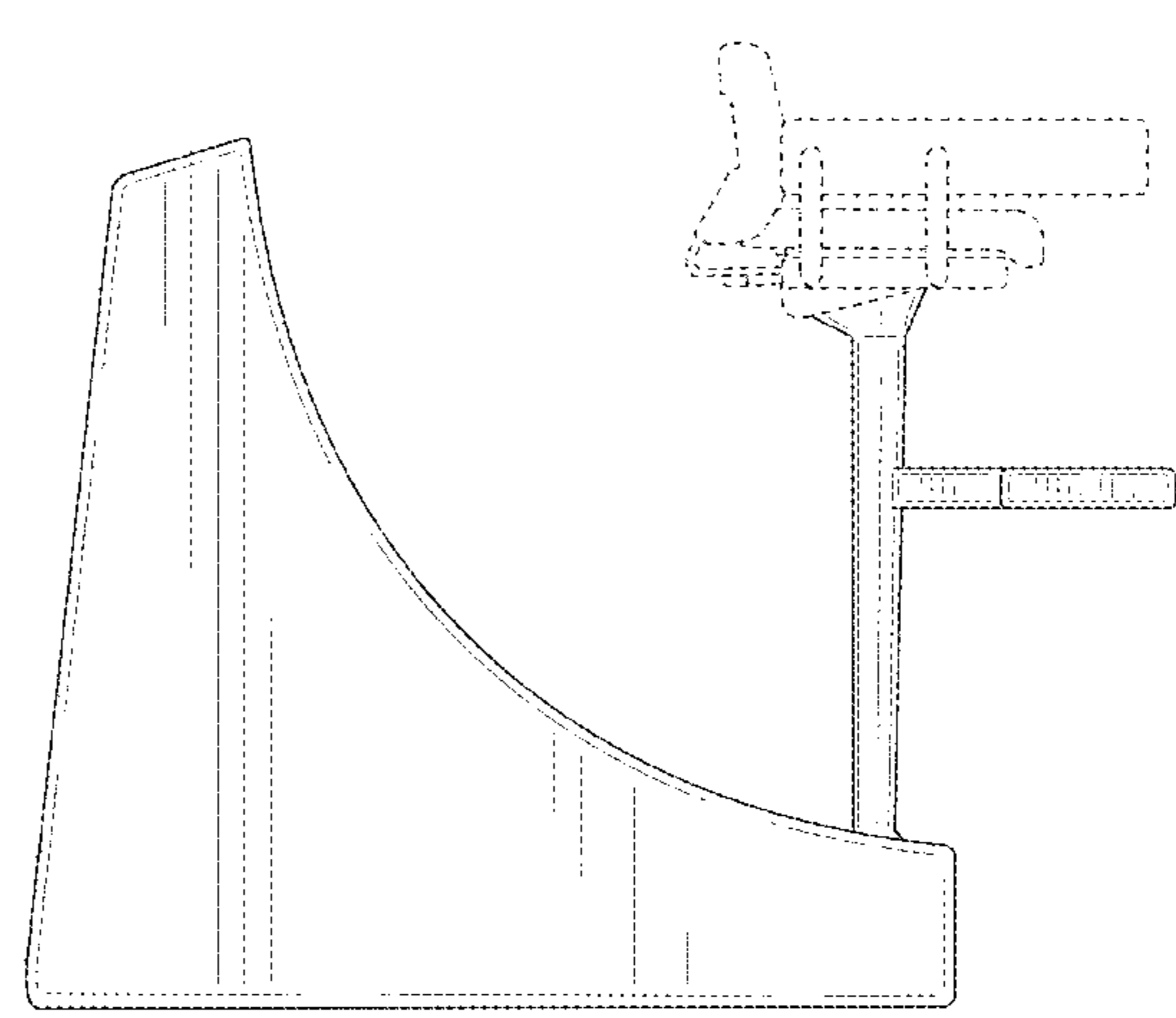
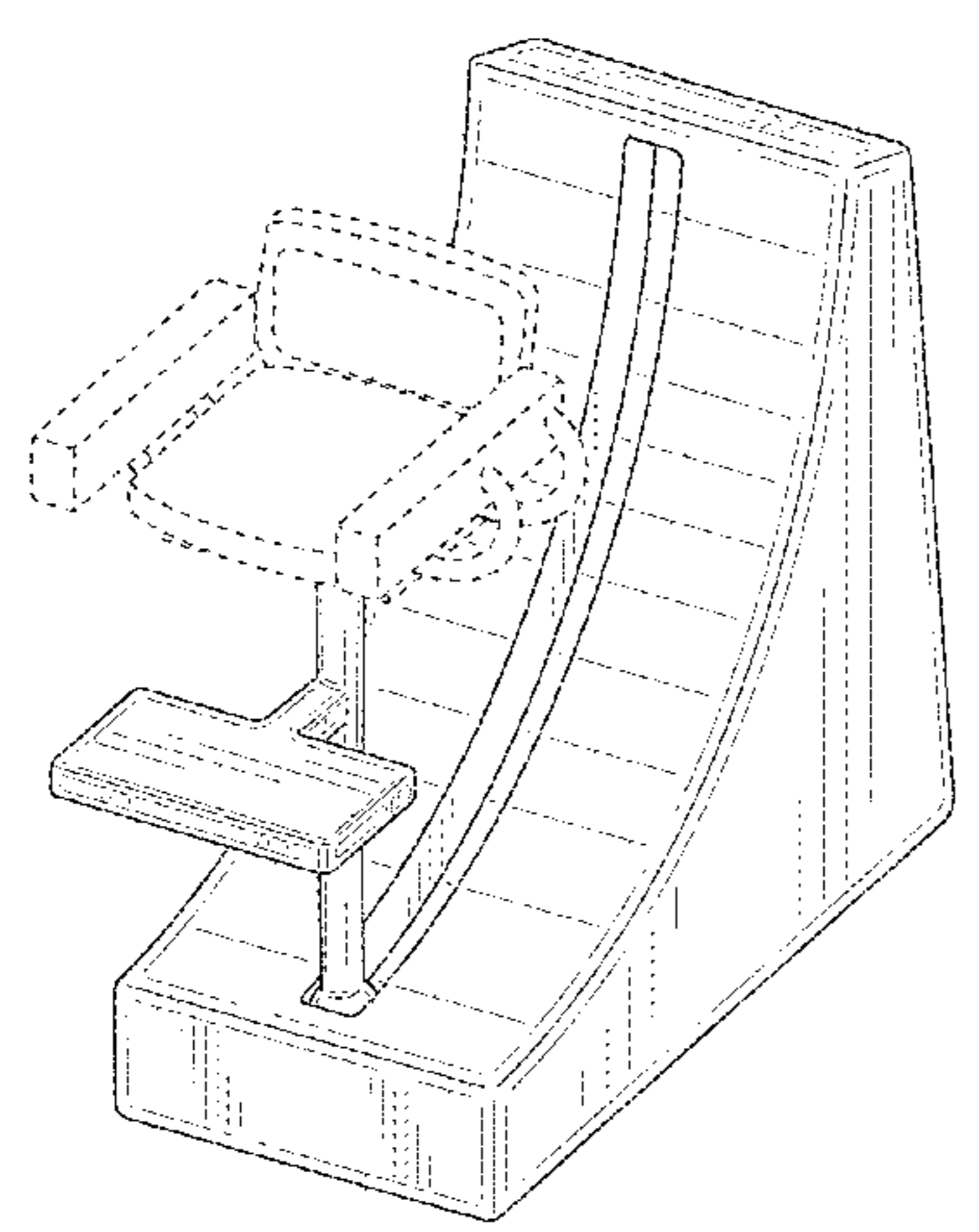
(Continued)

Primary Examiner — Ian Simmons
Assistant Examiner — Keith Frank
(74) *Attorney, Agent, or Firm* — Clayton, McKay & Bailey, PC

(57) **CLAIM**
The ornamental design for a torso trainer, as shown and described.

DESCRIPTION
FIG. 1 is a perspective view of a torso trainer showing applicant's new design.
FIG. 2 is a front view of the torso trainer.
FIG. 3 is a rear view of the torso trainer.
FIG. 4 is a left-side view of the torso trainer.
FIG. 5 is a right-side view of the torso trainer.
FIG. 6 is a top view of the torso trainer; and,
FIG. 7 is a bottom view of the torso trainer.
The broken lines depict portions of the torso trainer and form no part of the claimed design.

1 Claim, 7 Drawing Sheets



(56)

References Cited

U.S. PATENT DOCUMENTS

D844,074 S *	3/2019	Haquet	D21/662
D848,553 S *	5/2019	Noback	D21/686
D850,544 S *	6/2019	Noback	D21/691
D852,290 S *	6/2019	Noback	D21/686

* cited by examiner

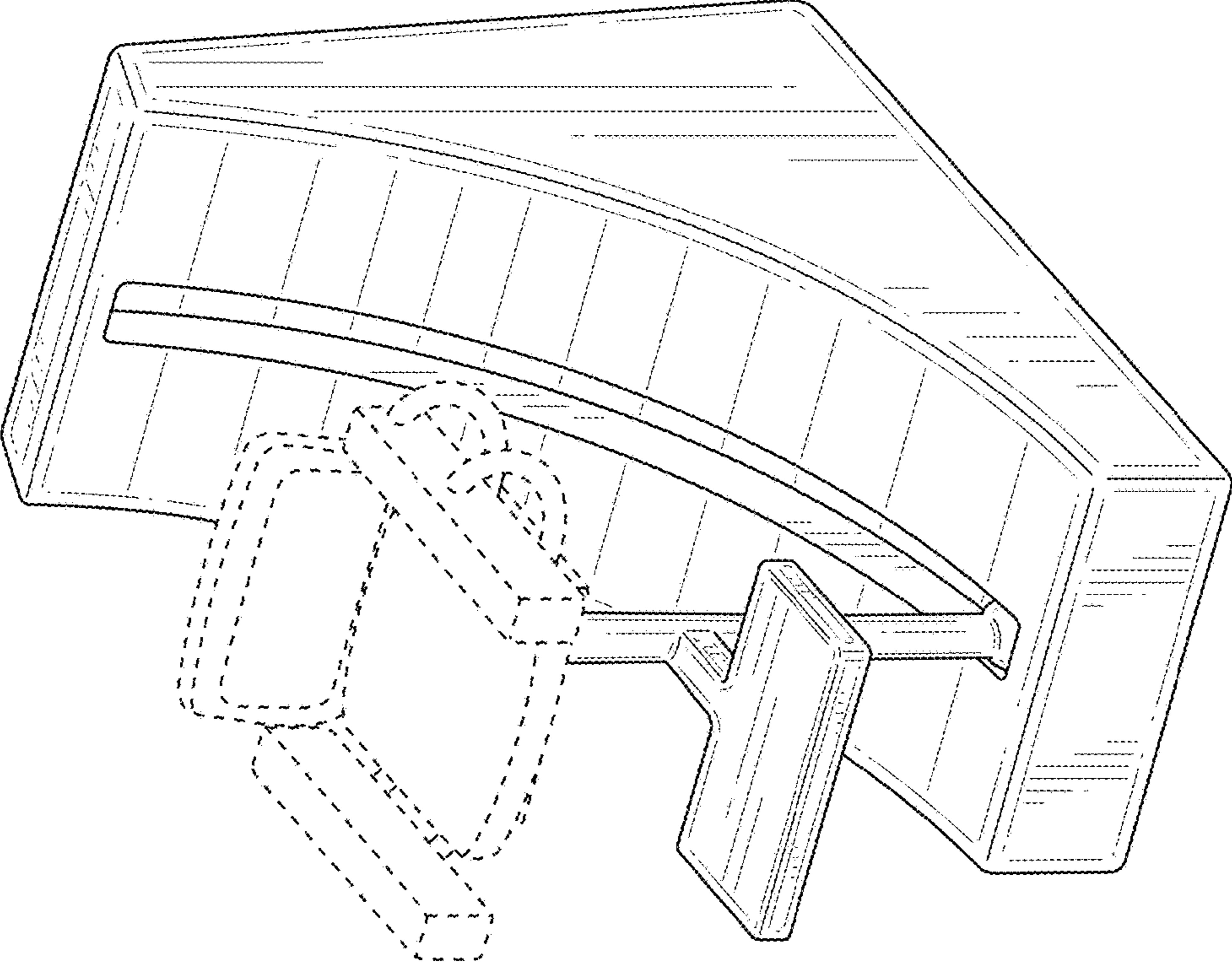


FIG. 1

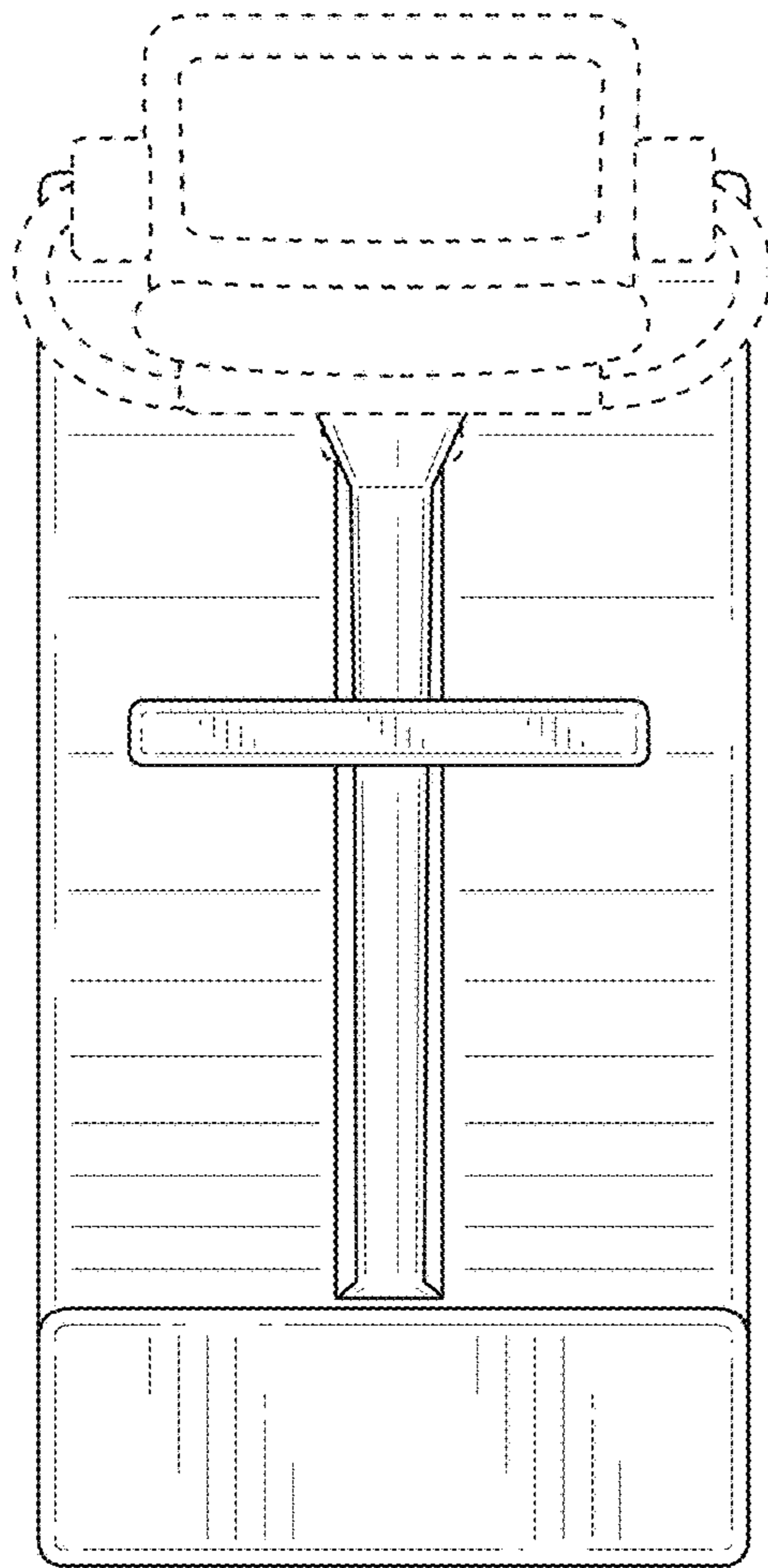


FIG. 2

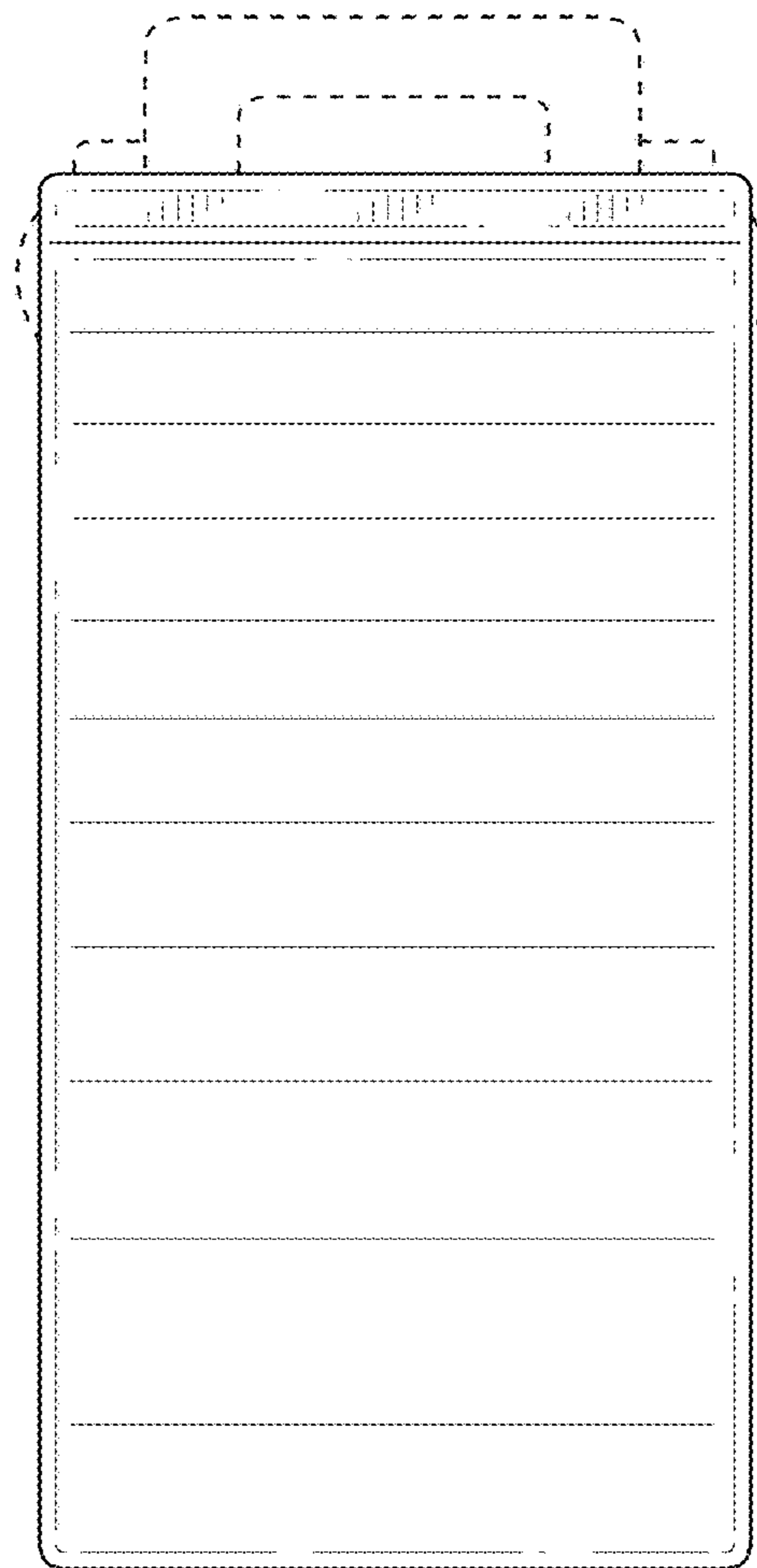
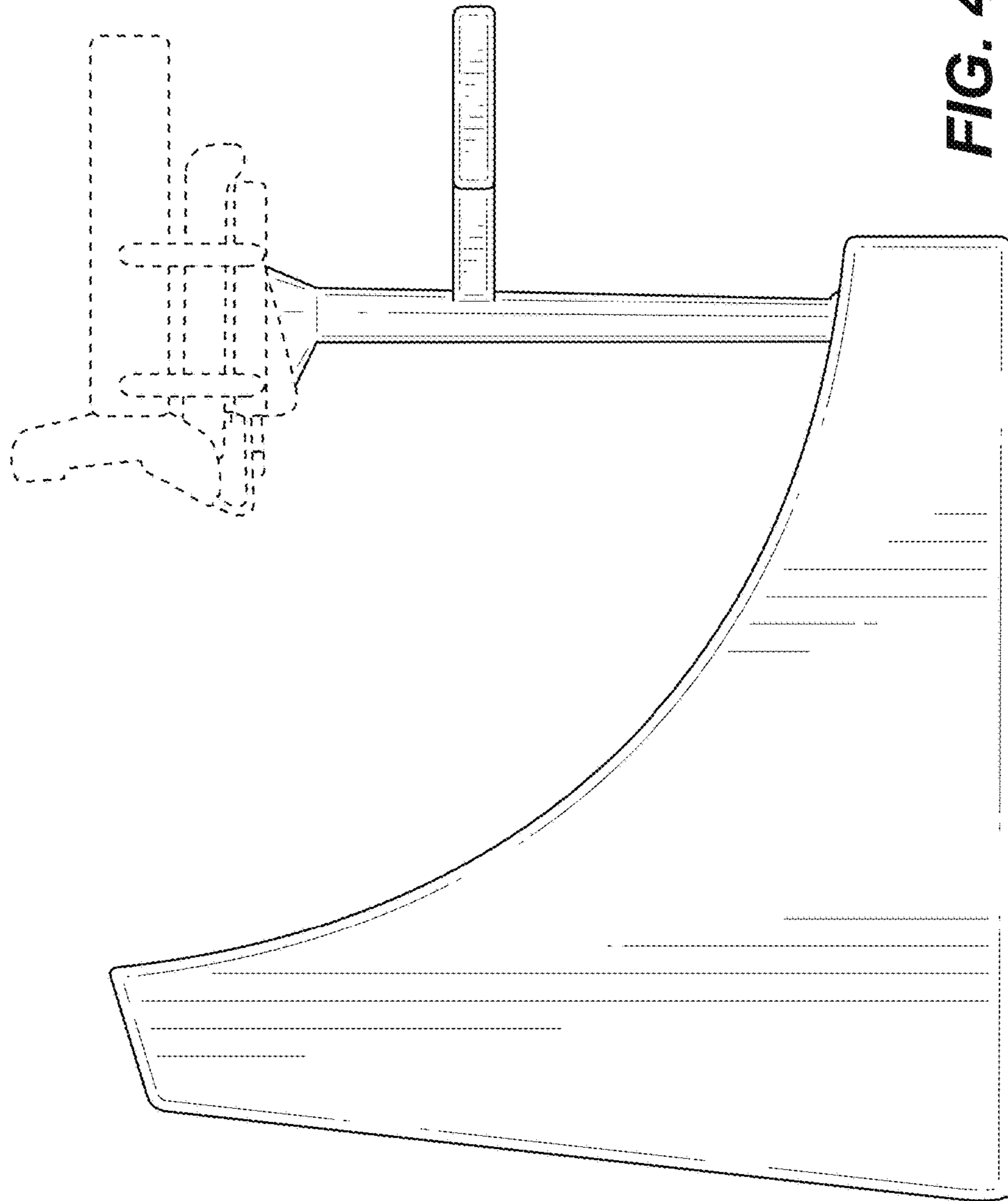


FIG. 3



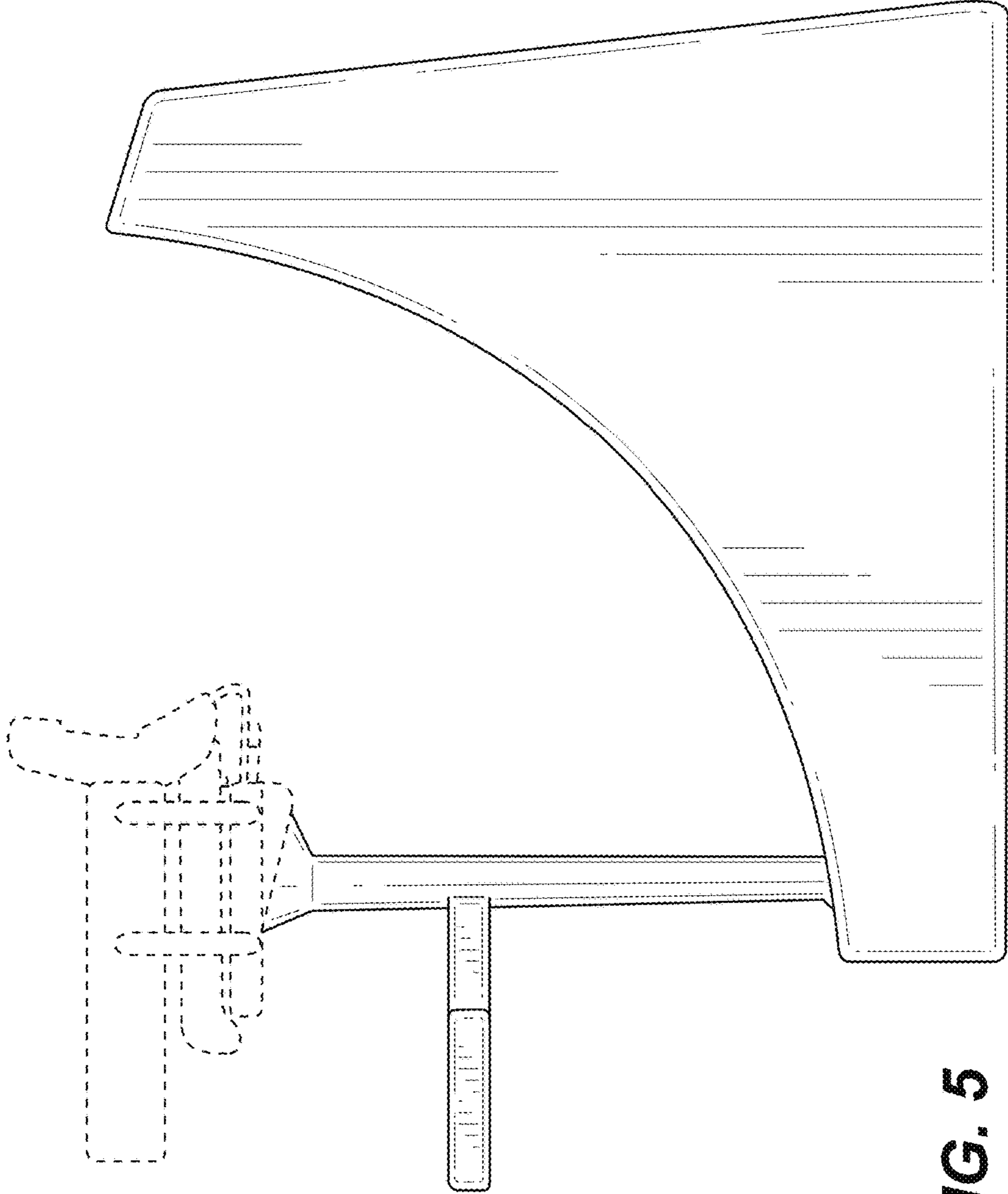


FIG. 5

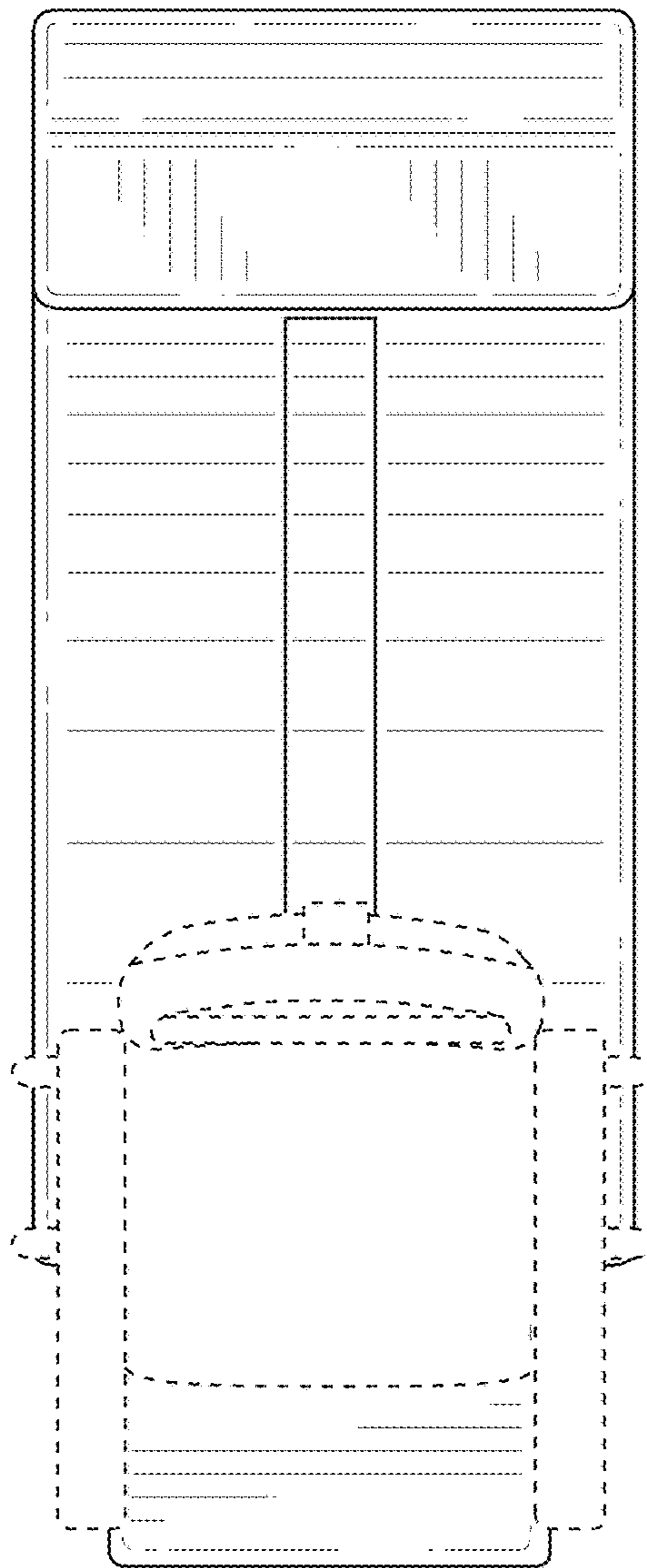


FIG. 6

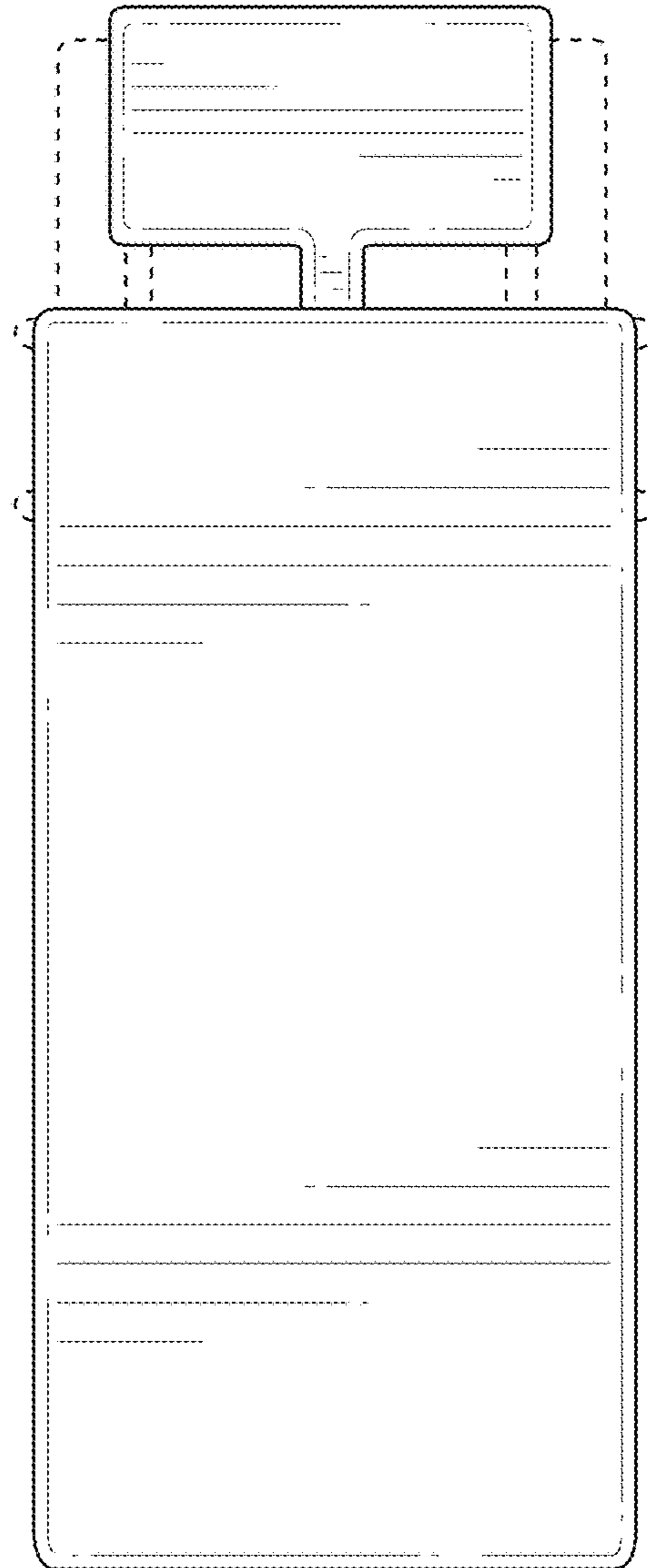


FIG. 7