



US00D867489S

(12) **United States Design Patent**
Brezovar

(10) **Patent No.:** **US D867,489 S**

(45) **Date of Patent:** **** Nov. 19, 2019**

- (54) **EXERCISE BALL**
- (71) Applicant: **Brunswick Corporation**, Mettawa, IL (US)
- (72) Inventor: **Wayne T. Brezovar**, Chicago, IL (US)
- (73) Assignee: **Life Fitness, LLC**, Rosemont, IL (US)
- (**) Term: **15 Years**
- (21) Appl. No.: **29/632,008**
- (22) Filed: **Jan. 4, 2018**
- (51) **LOC (12) Cl.** **21-02**
- (52) **U.S. Cl.**
USPC **D21/680**
- (58) **Field of Classification Search**
USPC D21/680, 713, 662, 708, 709; 473/371, 473/384, 604, 383, 378; D30/160; 482/132
CPC A63B 37/0004; A63B 37/0009; A63B 37/0012; A63B 37/0006; A63B 37/0021; A61H 2015/0042; A61H 15/0092
See application file for complete search history.

- D449,358 S * 10/2001 Ogg D21/708
- D449,359 S * 10/2001 Ogg D21/709
- 6,383,092 B1 * 5/2002 Ogg A63B 37/0004 473/378
- 6,695,720 B2 * 2/2004 Sullivan A63B 37/0004 473/378
- D494,233 S 8/2004 Kerry
- D516,646 S * 3/2006 Yang D21/713
- D527,066 S * 8/2006 Greiner D21/790
- D536,756 S * 2/2007 Steinhobel D21/708
- 7,175,546 B2 * 2/2007 Asakura A63B 37/0004 473/383
- D572,322 S * 7/2008 Michishita D21/709
- 7,455,601 B2 * 11/2008 Morgan A63B 37/0004 473/383
- D642,230 S * 7/2011 Kessler D21/662
- D663,793 S * 7/2012 Guarrasi D21/662
- D683,800 S 6/2013 Ebio
- 8,591,355 B2 * 11/2013 Sullivan A63B 37/0004 473/383

(Continued)

Primary Examiner — Ryan Harvey
(74) *Attorney, Agent, or Firm* — Andrus Intellectual Property Law, LLP

(57) **CLAIM**

The ornamental design for an exercise ball, as shown and described.

DESCRIPTION

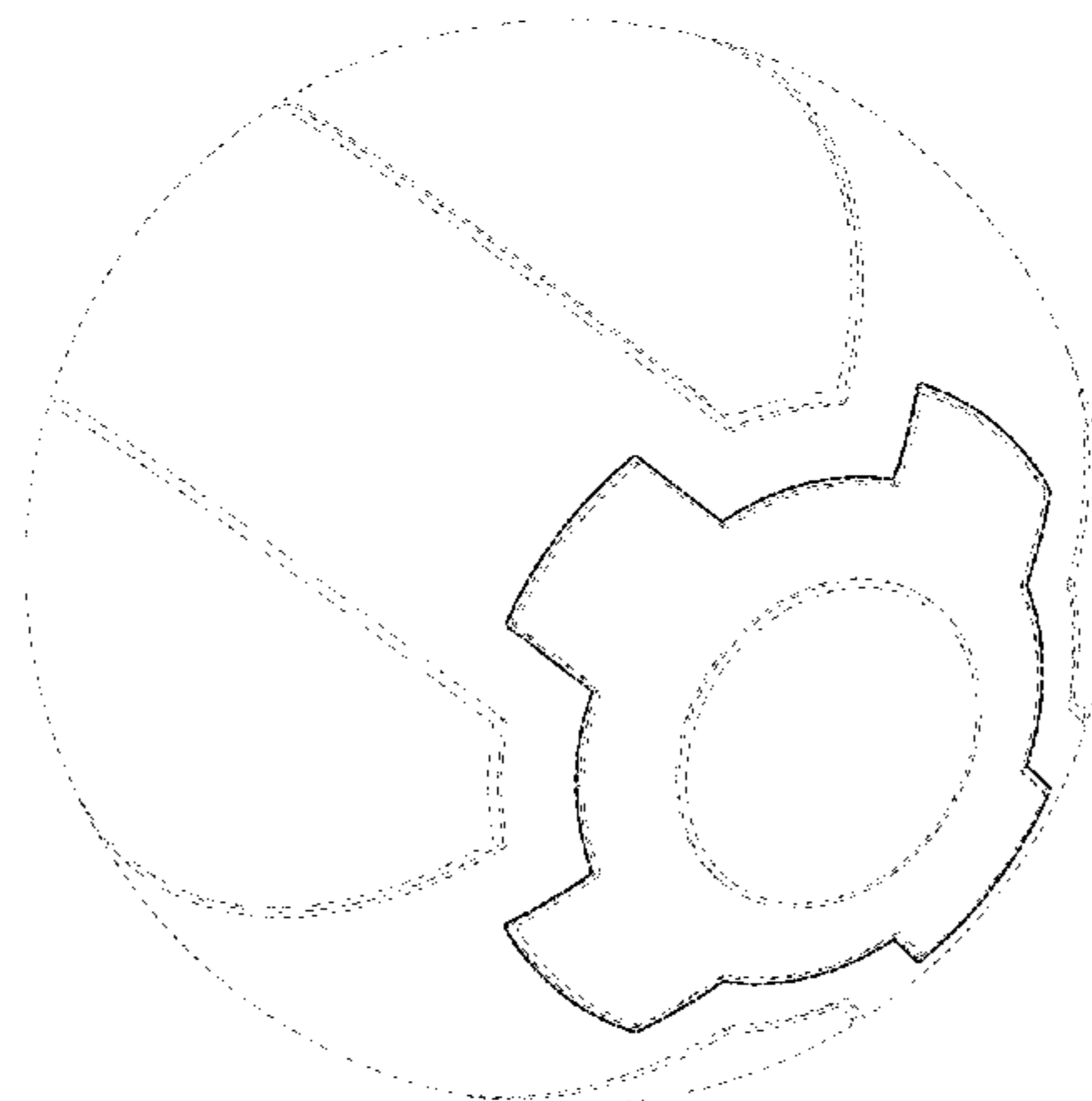
FIG. 1 is a front perspective view of an exercise ball.
FIG. 2 is a front view thereof.
FIG. 3 is a rear view thereof.
FIGS. 4 and 5 are opposing side views thereof.
FIG. 6 is a top view thereof; and,
FIG. 7 is a bottom view thereof.
The broken lines shown in the figures are for the purpose of illustrating portions of the exercise ball, which form no part of the claimed design.

1 Claim, 4 Drawing Sheets

(56) **References Cited**

U.S. PATENT DOCUMENTS

- D52,500 S * 9/1918 Vaile D21/708
- D52,706 S * 11/1918 Robertson D21/708
- D52,712 S * 11/1918 Turner D21/709
- 1,418,220 A * 5/1922 White A63B 37/0004 473/384
- D71,562 S * 11/1926 Penfold D21/708
- D72,692 S * 5/1927 Beldam D21/708
- 3,222,065 A * 12/1965 Dwork B29D 22/04 428/11
- D441,815 S * 5/2001 Murphy D21/708
- 6,290,615 B1 * 9/2001 Ogg A63B 37/0004 473/378
- 6,293,877 B1 * 9/2001 Boehm A63B 37/0003 473/361



(56)

References Cited

U.S. PATENT DOCUMENTS

D695,371	S *	12/2013	Hedeen, Jr.	D21/707
D700,259	S *	2/2014	Lien	D21/707
D718,825	S *	12/2014	Ross	D21/662
D730,461	S *	5/2015	Bennett	D21/713
D774,150	S	12/2016	Holland et al.	
D775,286	S *	12/2016	Pawlas	D21/680
D775,287	S	12/2016	Pawlas	
9,694,230	B2	7/2017	Cooper	
D794,143	S *	8/2017	Rex	D21/680
D810,013	S *	2/2018	Smitley	D13/108
D819,758	S *	6/2018	Iqbal	D21/713
D823,951	S *	7/2018	Marton	D21/662
10,010,470	B2 *	7/2018	Bradford	A61H 1/008
D832,946	S *	11/2018	Lernihan	D21/713
D835,733	S *	12/2018	Whiteley	A63B 41/08
				D21/713
D837,908	S *	1/2019	Ross	D21/680
D838,417	S *	1/2019	Jiang	D30/160
D838,790	S *	1/2019	Chang	D21/680
D843,527	S *	3/2019	Monnin	D21/713
2007/0049434	A1 *	3/2007	Maziarz	A63B 41/08
				473/604
2009/0181805	A1 *	7/2009	Sullivan	A63B 37/0004
				473/384
2009/0227398	A1 *	9/2009	Gibson	A63B 41/02
				473/416
2012/0263880	A1 *	10/2012	Lin	B29C 33/42
				427/355
2014/0336021	A1 *	11/2014	Jones	A63B 22/0046
				482/132
2015/0011330	A1 *	1/2015	Ishii	A63B 37/0051
				473/371
2019/0001195	A1 *	1/2019	Chang	A61H 15/00

* cited by examiner

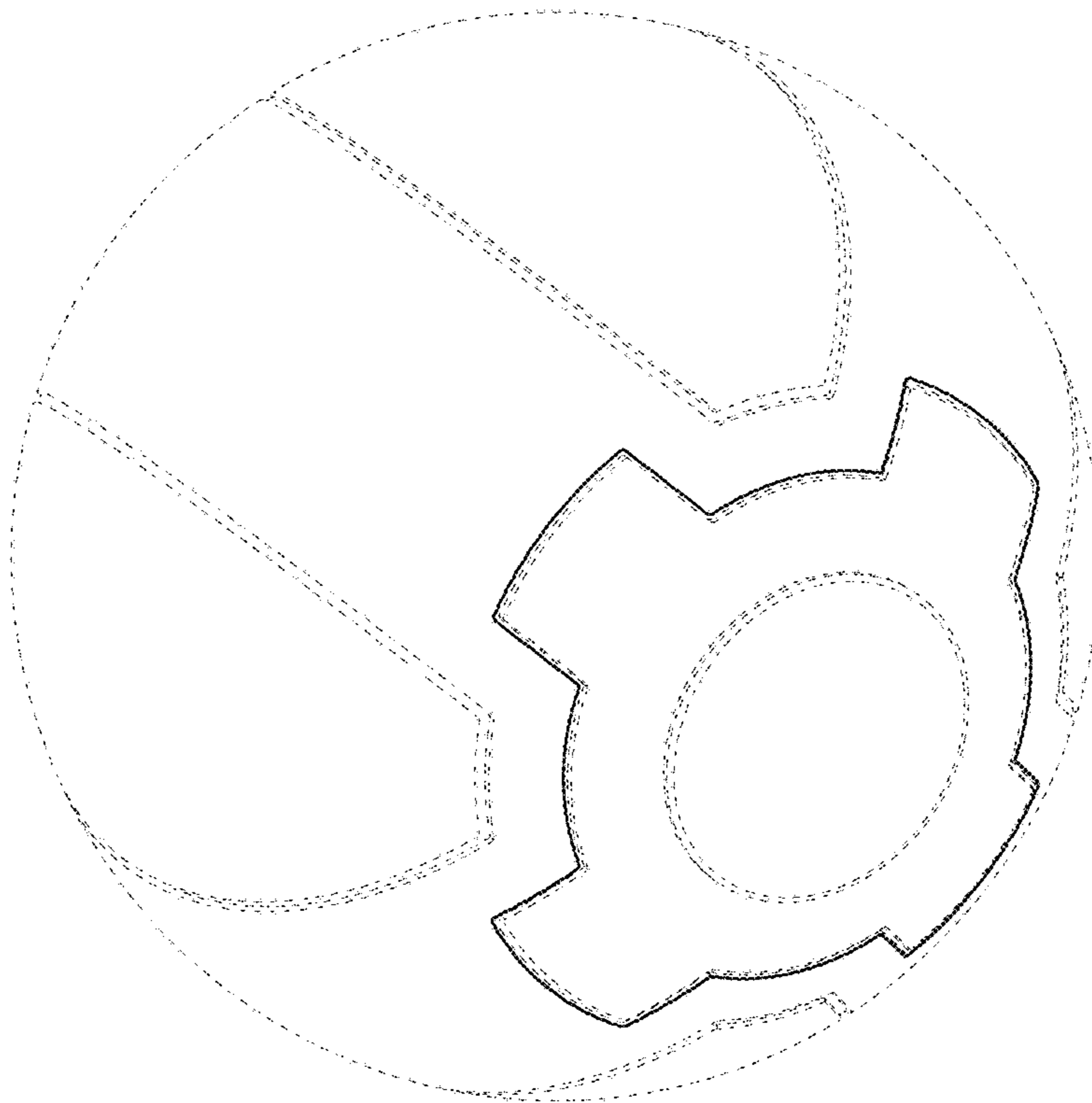


FIG. 1

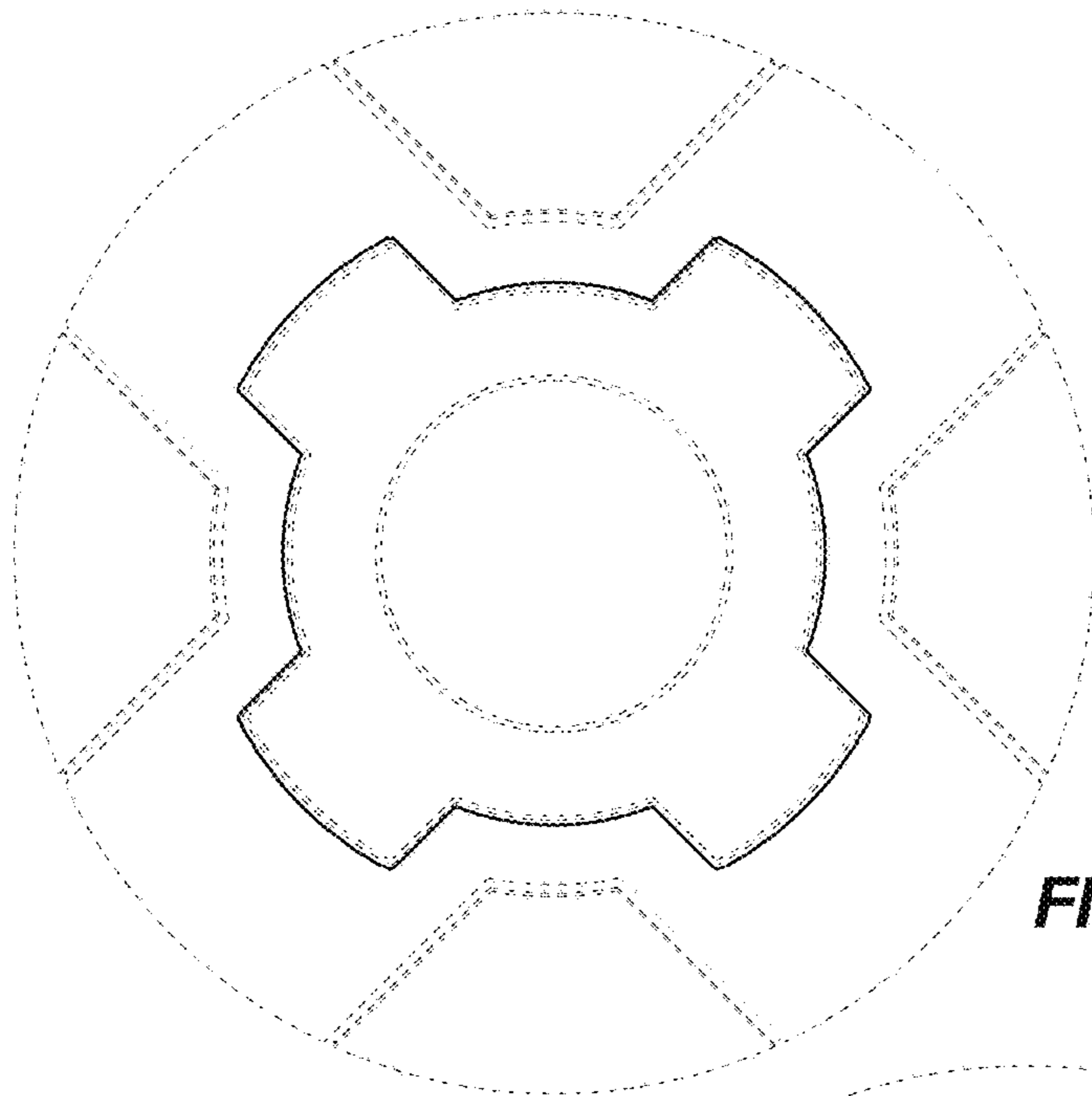


FIG. 2

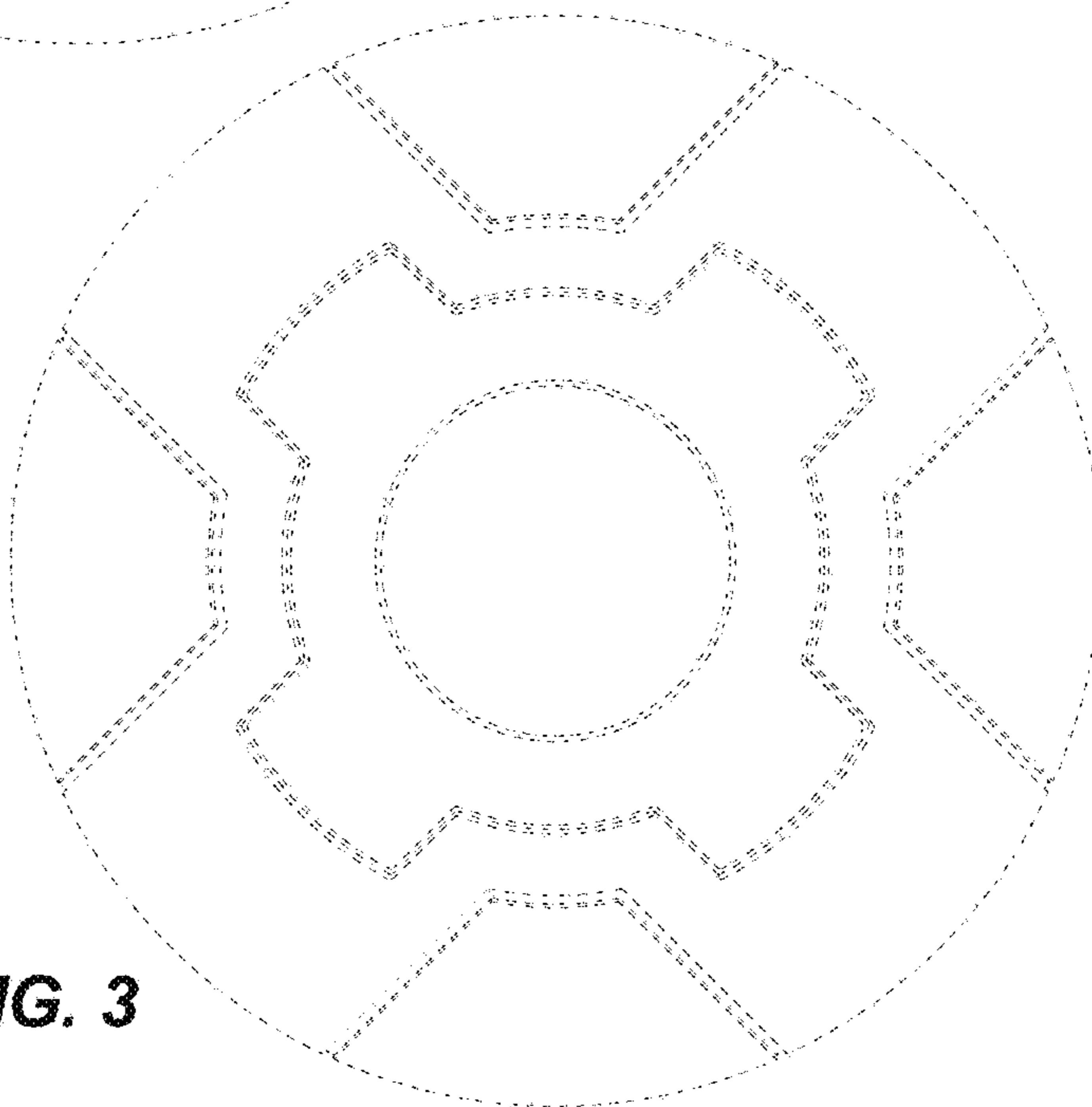


FIG. 3

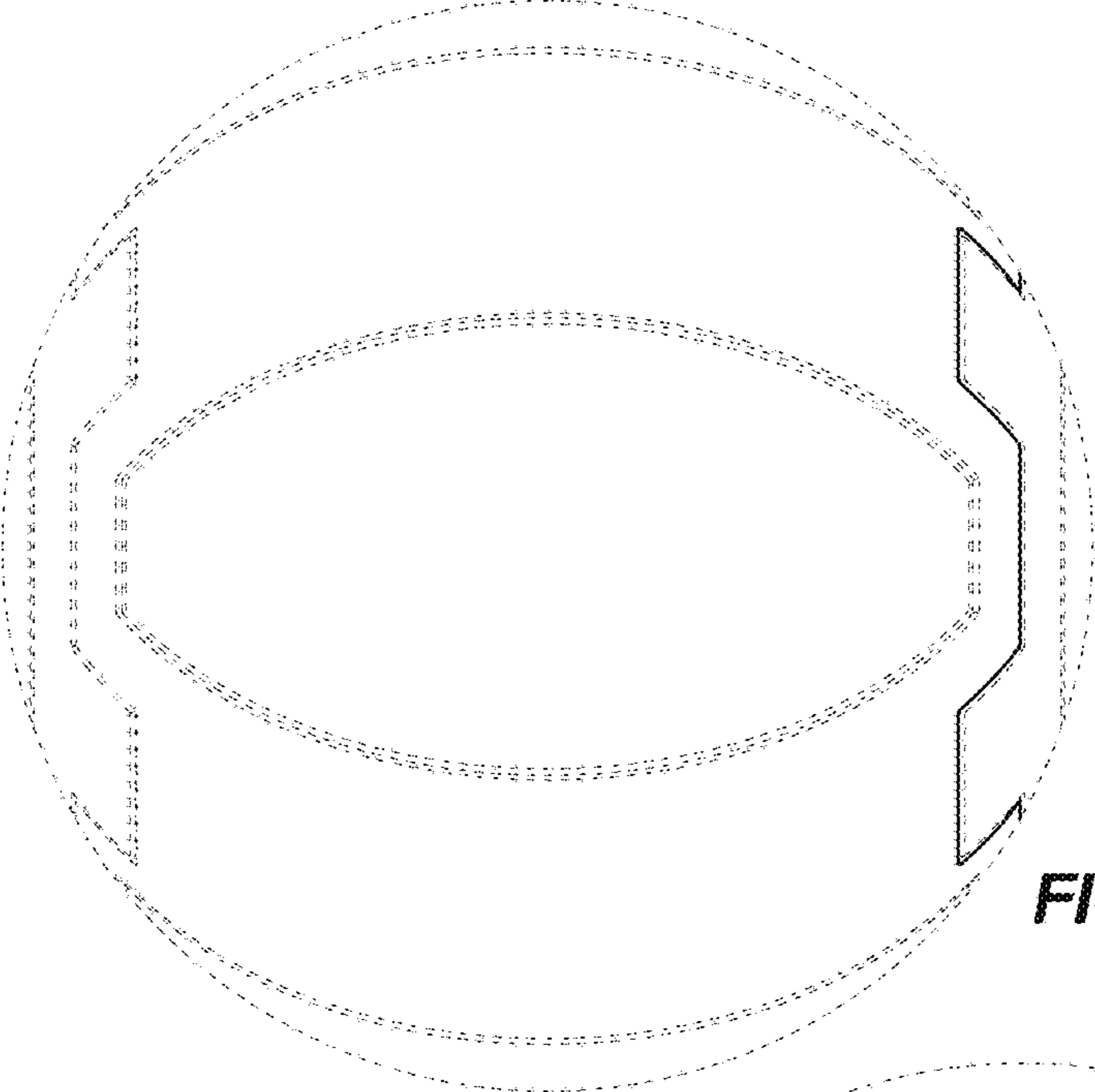


FIG. 4

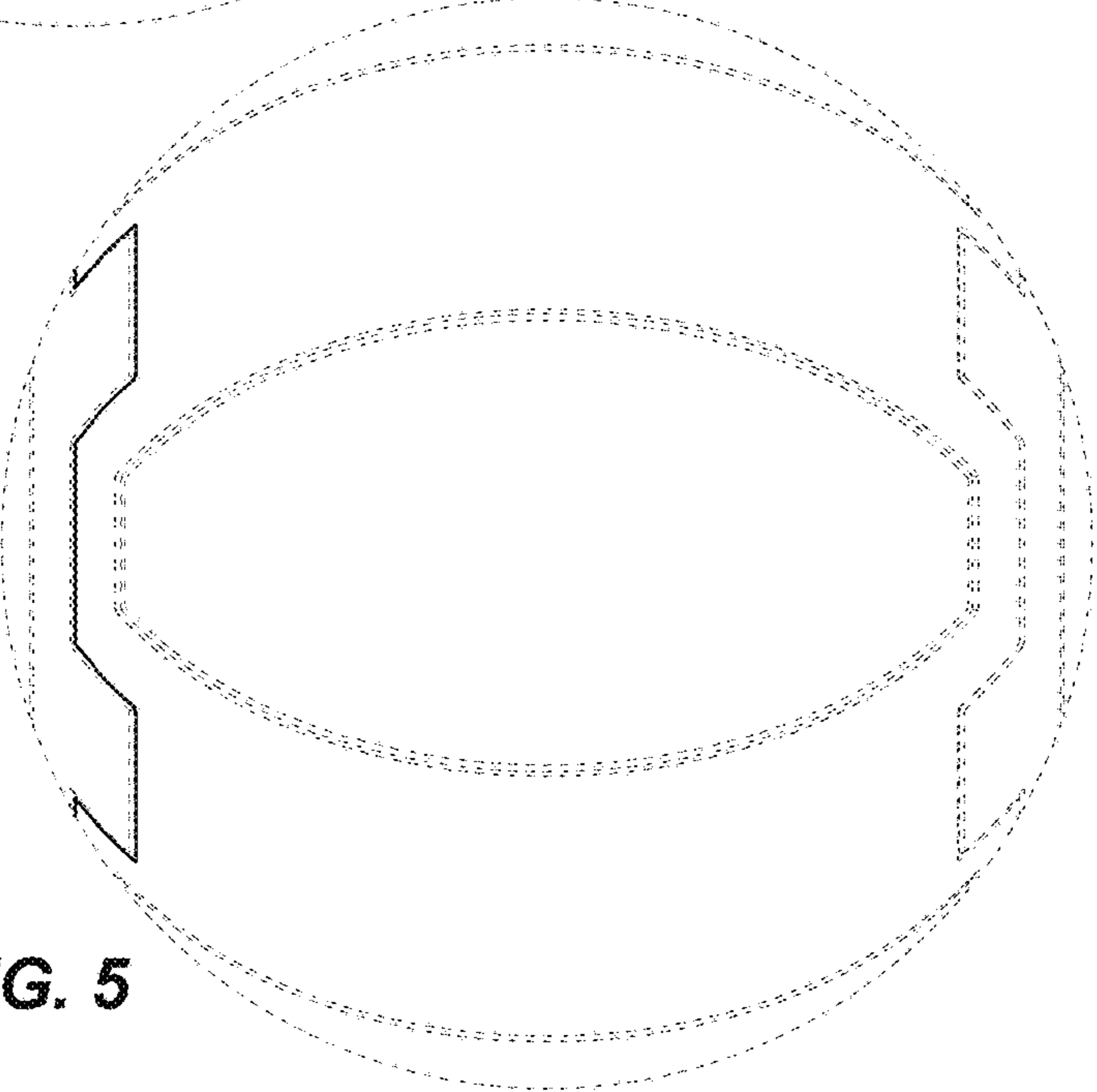


FIG. 5

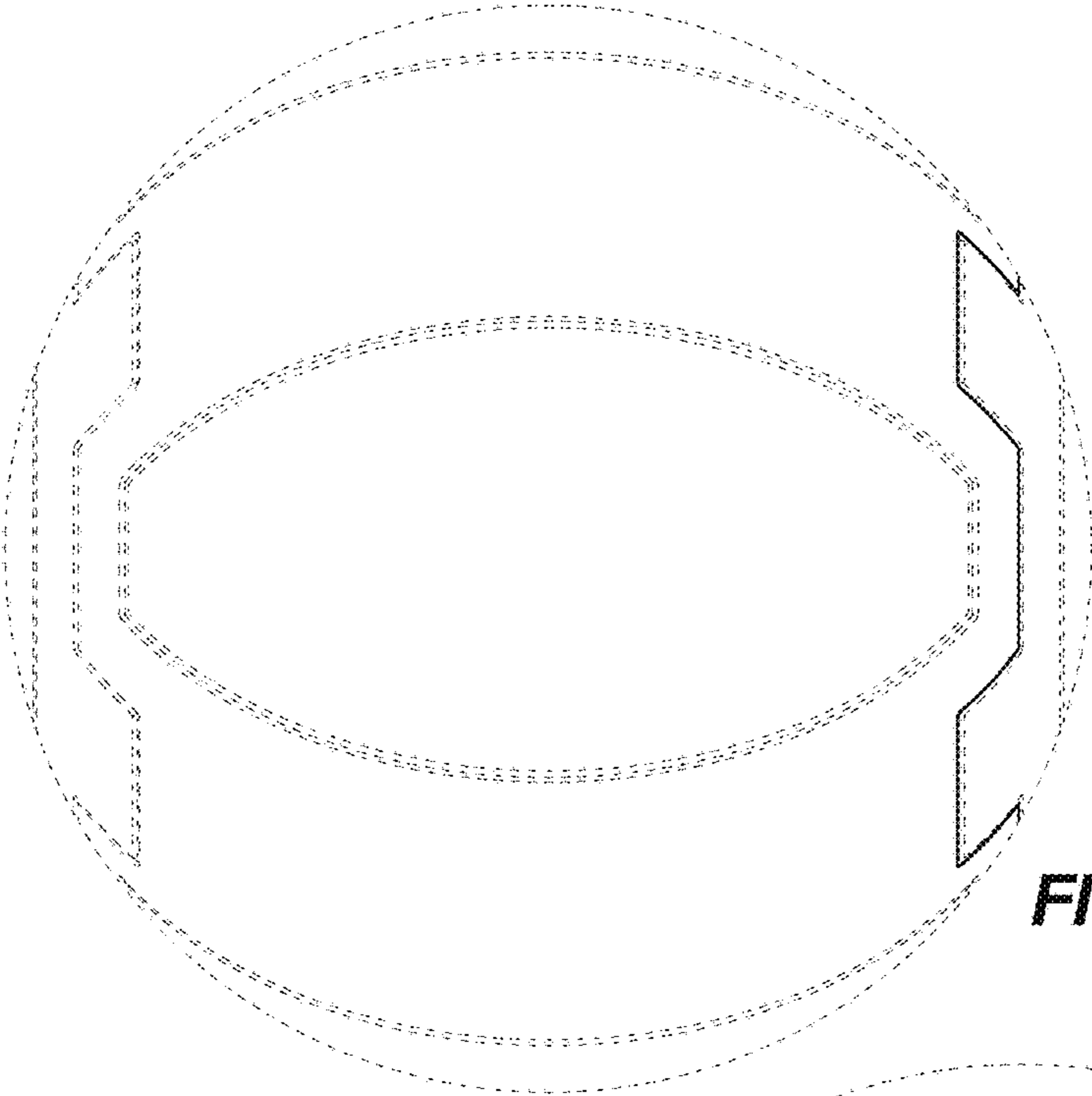


FIG. 6

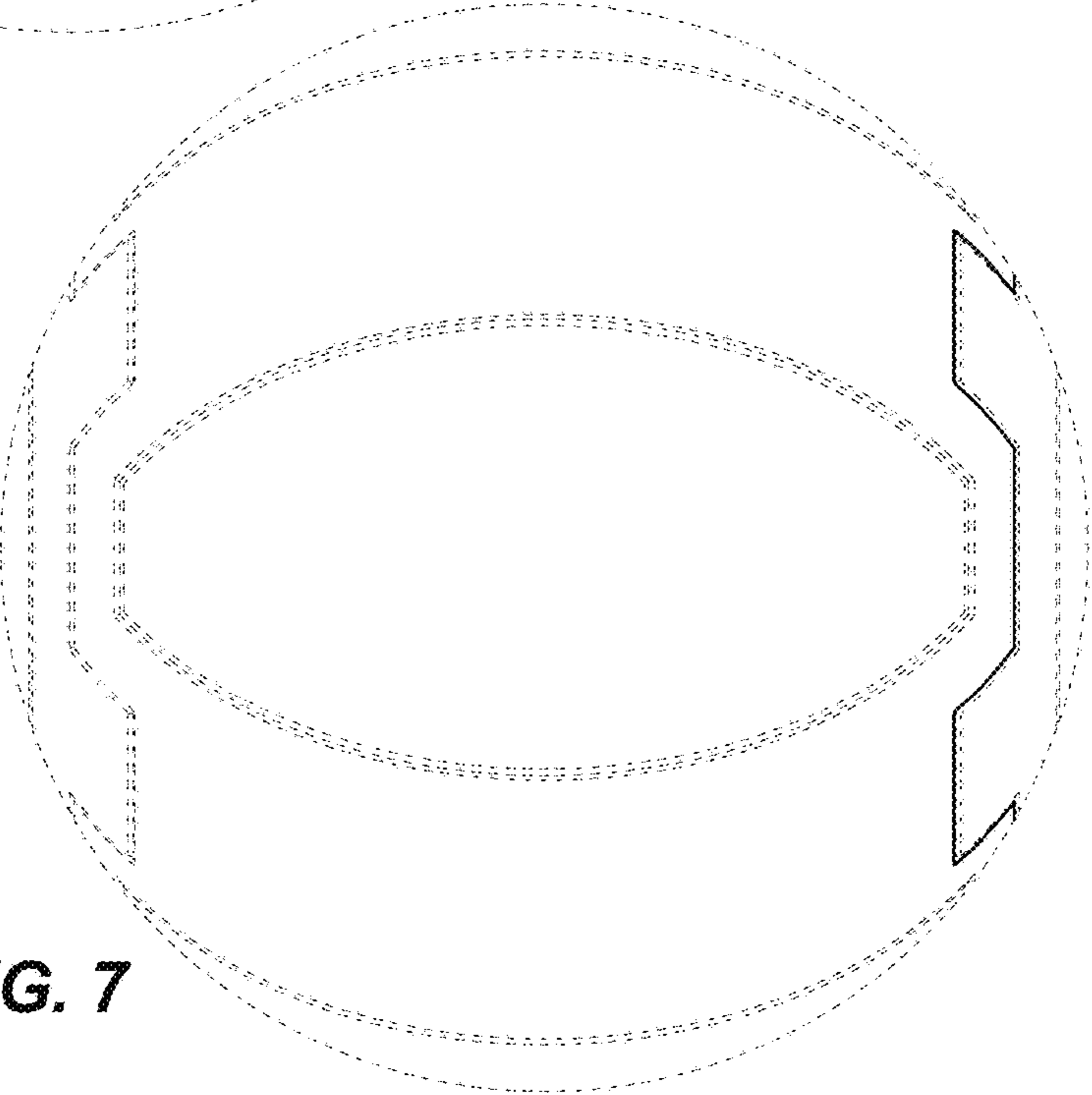


FIG. 7