



US00D867486S

(12) **United States Design Patent**  
**Katayama et al.**

(10) **Patent No.:** **US D867,486 S**

(45) **Date of Patent:** **\*\* Nov. 19, 2019**

(54) **ROBOT TOY**

(71) Applicant: **TOMY COMPANY, LTD.**, Tokyo (JP)

(72) Inventors: **Shu Katayama**, Tokyo (JP); **Akiko Ikoma**, Tokyo (JP); **Mitsutoshi Tokuyama**, Tokyo (JP); **Shigeru Kanauchi**, Tokyo (JP)

(73) Assignee: **TOMY COMPANY, LTD.**, Tokyo (JP)

(\*\*) Term: **15 Years**

(21) Appl. No.: **29/657,784**

(22) Filed: **Jul. 25, 2018**

(30) **Foreign Application Priority Data**

Feb. 9, 2018 (JP) ..... 2018-002711

(51) **LOC (12) Cl.** ..... **21-01**

(52) **U.S. Cl.**

USPC ..... **D21/650**; D21/578

(58) **Field of Classification Search**

USPC ..... D6/598; D11/158, 162; D21/576–596,  
D21/604–605, 621, 650; 446/99, 268,  
446/368–369, 376, 428, 487; 180/8.6;  
D30/160

CPC ... A63H 3/00; A63H 3/02; A63H 3/04; A63H  
3/16; A63H 3/28; A63H 3/36; A63H  
7/06; A63H 11/00; A63H 11/10; A63H  
11/20; A63H 11/205; A63H 13/00; A63H  
33/04; A63H 33/08; A63H 33/042; A63H  
23/10

See application file for complete search history.

(56) **References Cited**

**U.S. PATENT DOCUMENTS**

4,216,612 A \* 8/1980 Erickson ..... A63H 11/10  
446/272  
D268,655 S \* 4/1983 Kodaka ..... D21/650

D268,656 S \* 4/1983 Kodaka ..... D21/650  
D479,288 S \* 9/2003 Nakase ..... D21/578  
6,652,352 B1 \* 11/2003 MacArthur ..... A63H 11/205  
180/8.6  
D507,606 S \* 7/2005 Nakase ..... D21/578  
D555,213 S \* 11/2007 Bowen ..... D21/578  
7,938,708 B2 \* 5/2011 Willet ..... A63H 11/205  
446/330  
D670,770 S \* 11/2012 Mimlitch, III ..... A63H 11/205  
D21/650  
D689,562 S \* 9/2013 Mimlitch, III ..... A63H 11/205  
D21/650  
9,233,313 B2 \* 1/2016 Olivera ..... A63H 11/20

\* cited by examiner

*Primary Examiner* — Sandra L Morris

(74) *Attorney, Agent, or Firm* — Oliff PLC

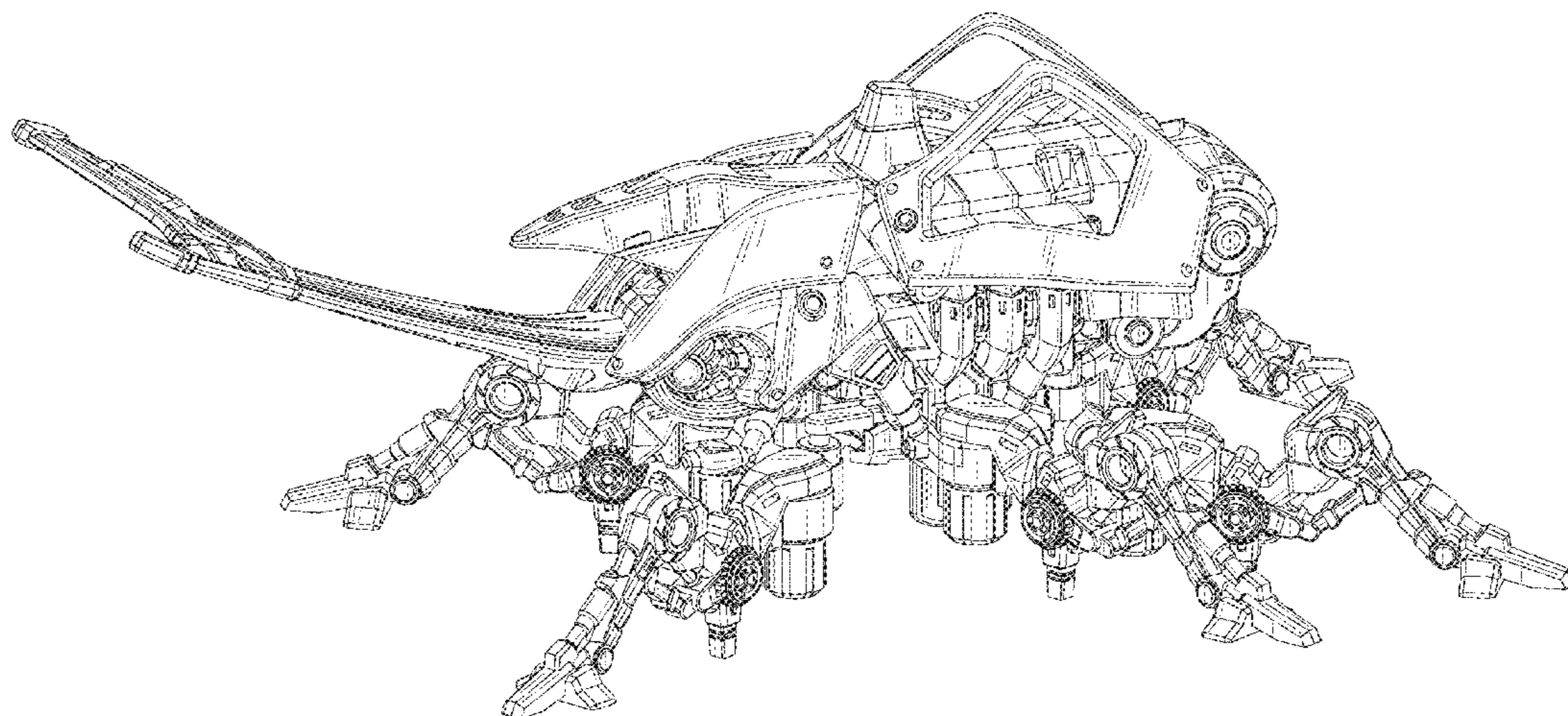
(57) **CLAIM**

The ornamental design for a robot toy, as shown and described.

**DESCRIPTION**

FIG. 1 is a right-side elevational view of the robot toy;  
FIG. 2 is a left-side elevational view thereof;  
FIG. 3 is a front elevational view thereof;  
FIG. 4 is a rear elevational view thereof;  
FIG. 5 is a top plan view thereof;  
FIG. 6 is a bottom plan view thereof;  
FIG. 7 is a front, right-side, top perspective view thereof;  
FIG. 8 is a rear, left-side, bottom perspective view thereof;  
FIG. 9 is a front, right-side, top perspective view of an alternate configuration thereof; and,  
FIG. 10 is a rear, left-side, bottom perspective view of the alternate configuration.

**1 Claim, 10 Drawing Sheets**



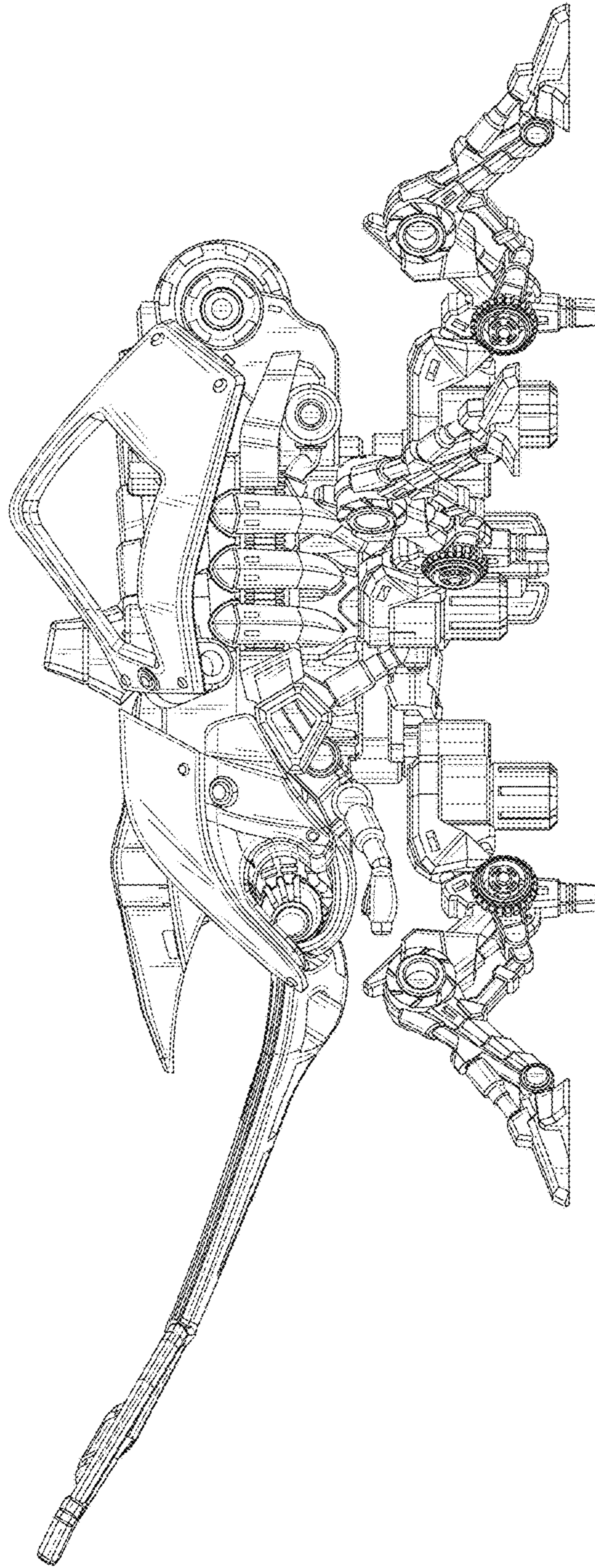


FIG. 1



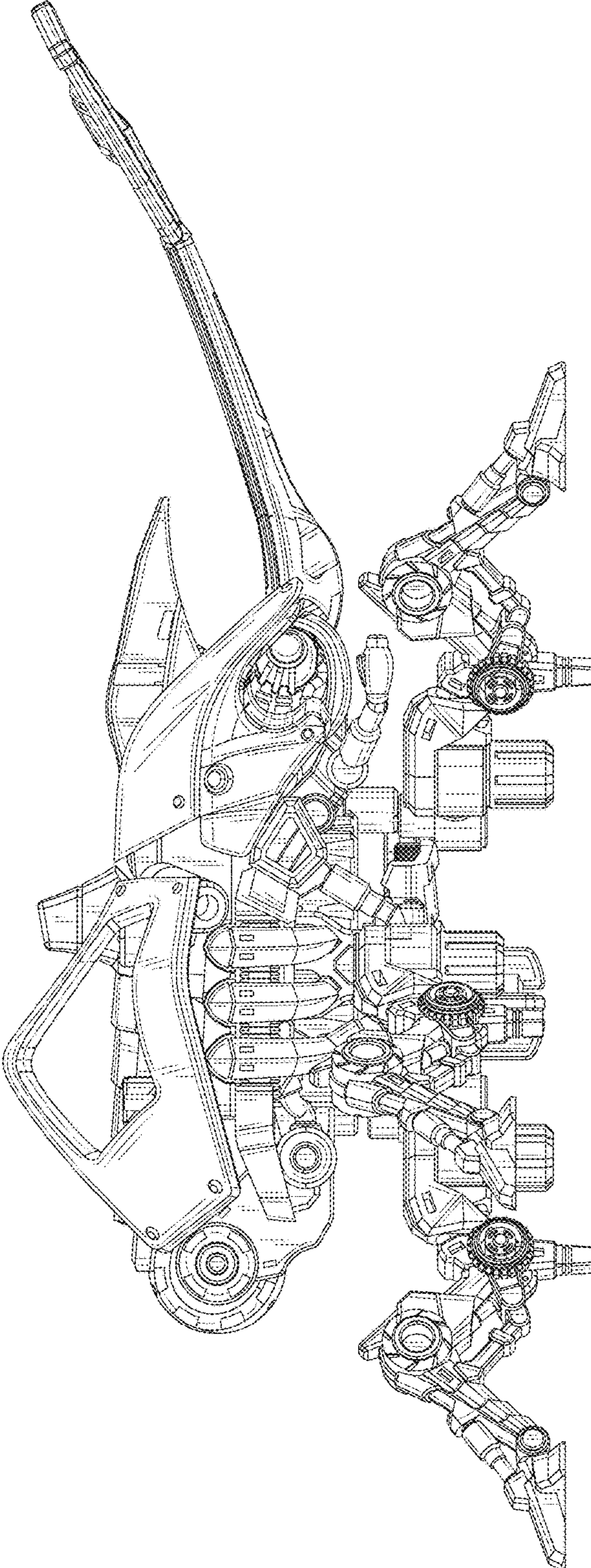


FIG. 2

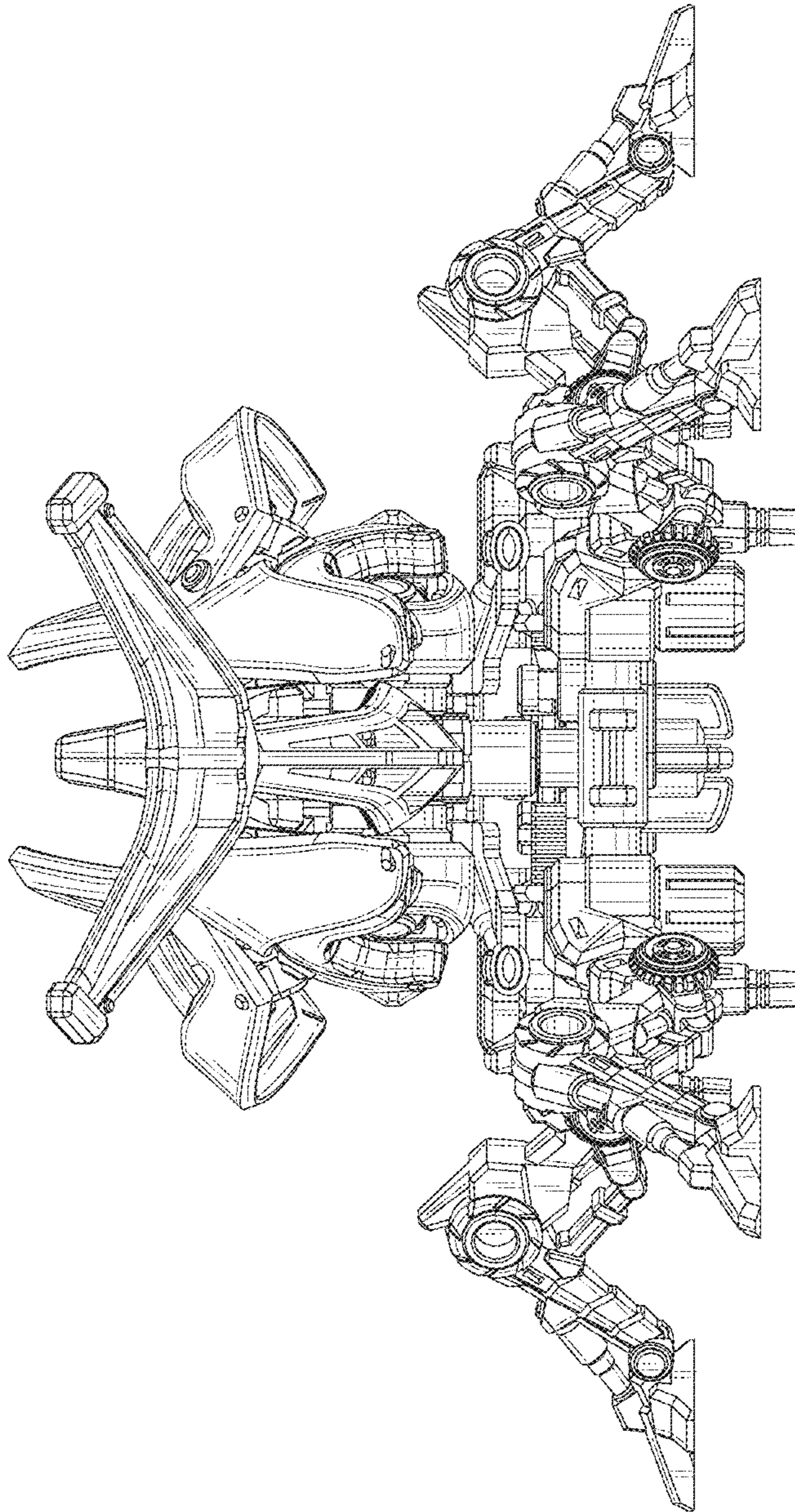


FIG. 3



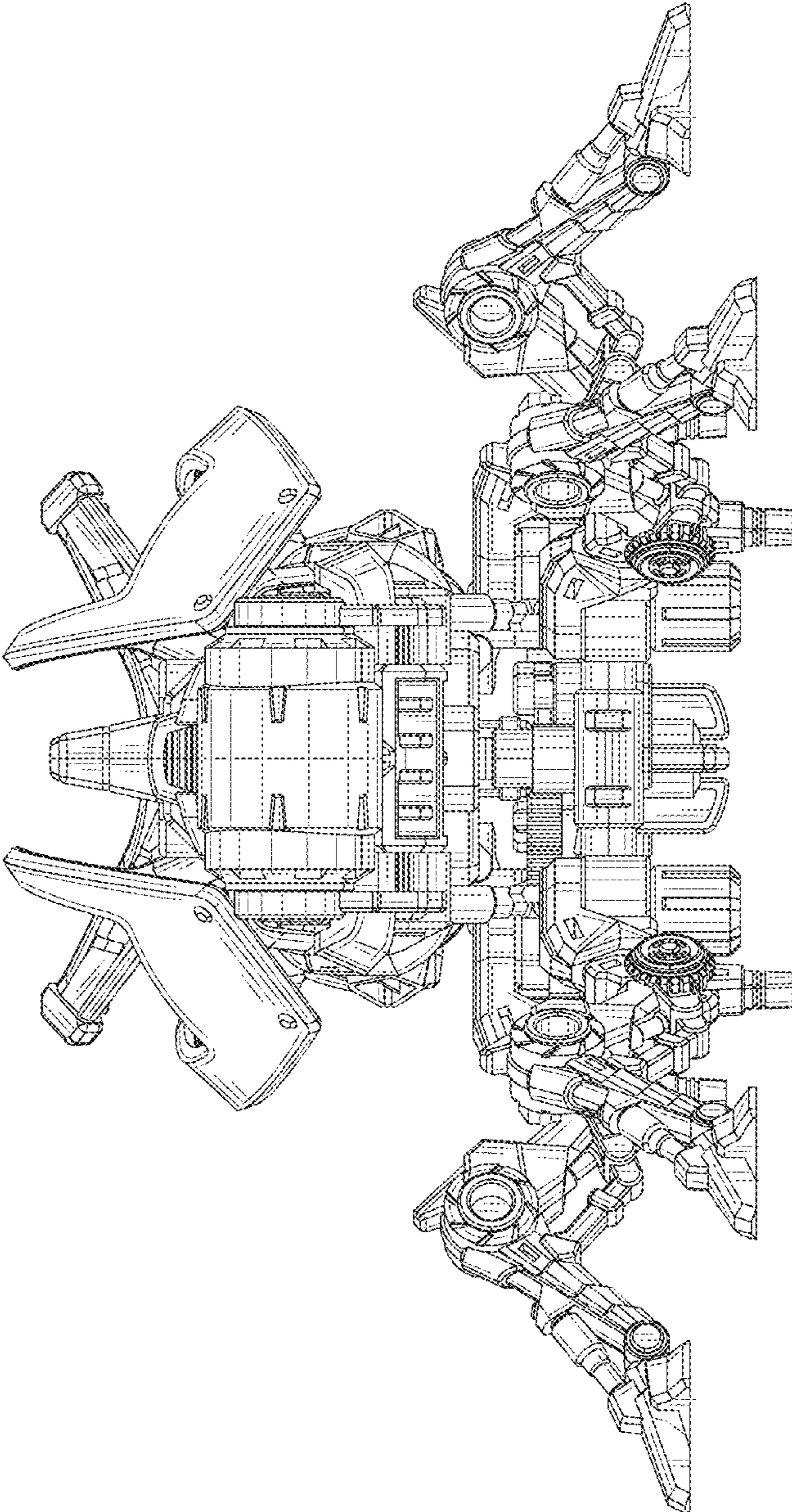


FIG. 4

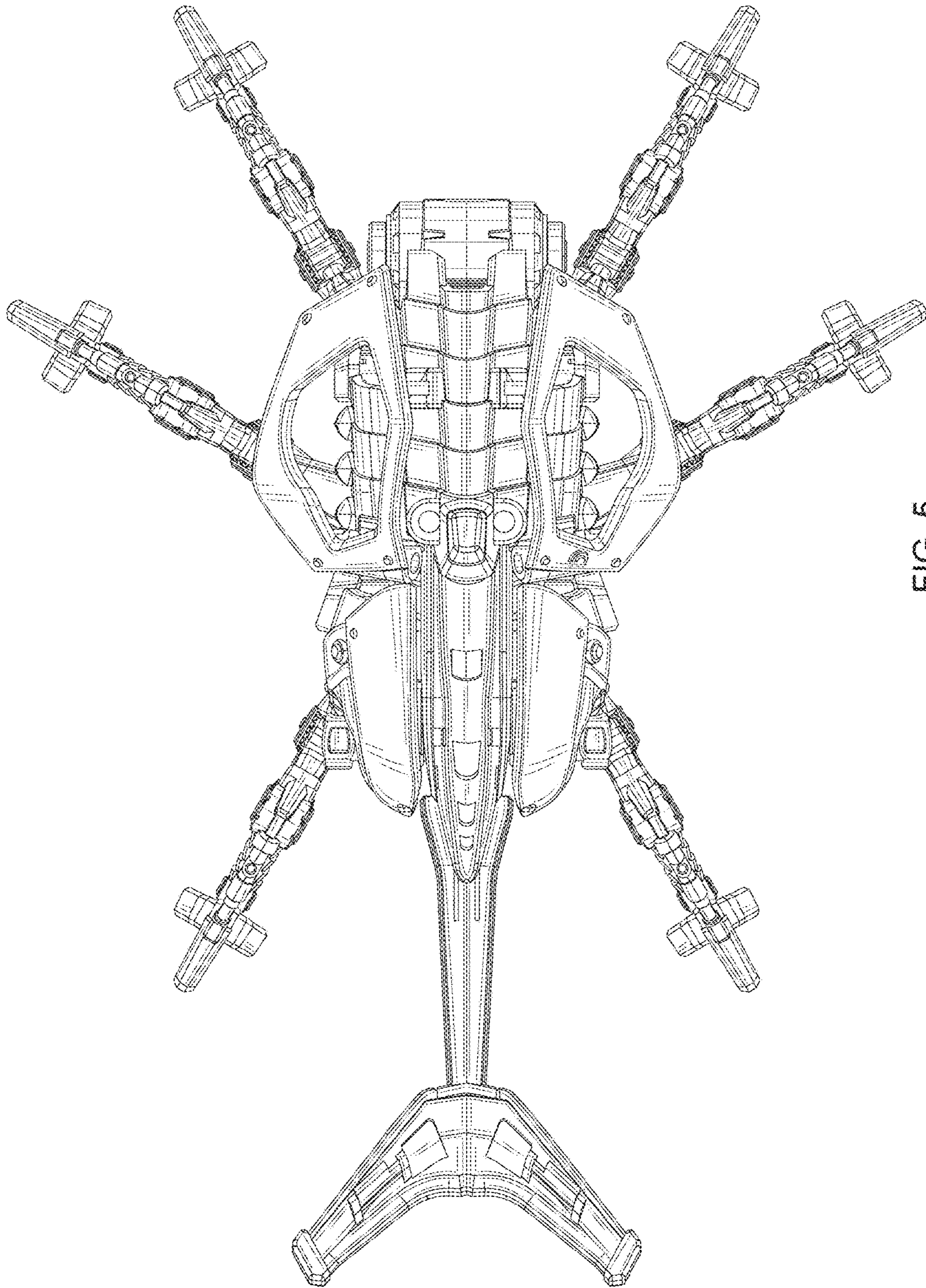


FIG. 5



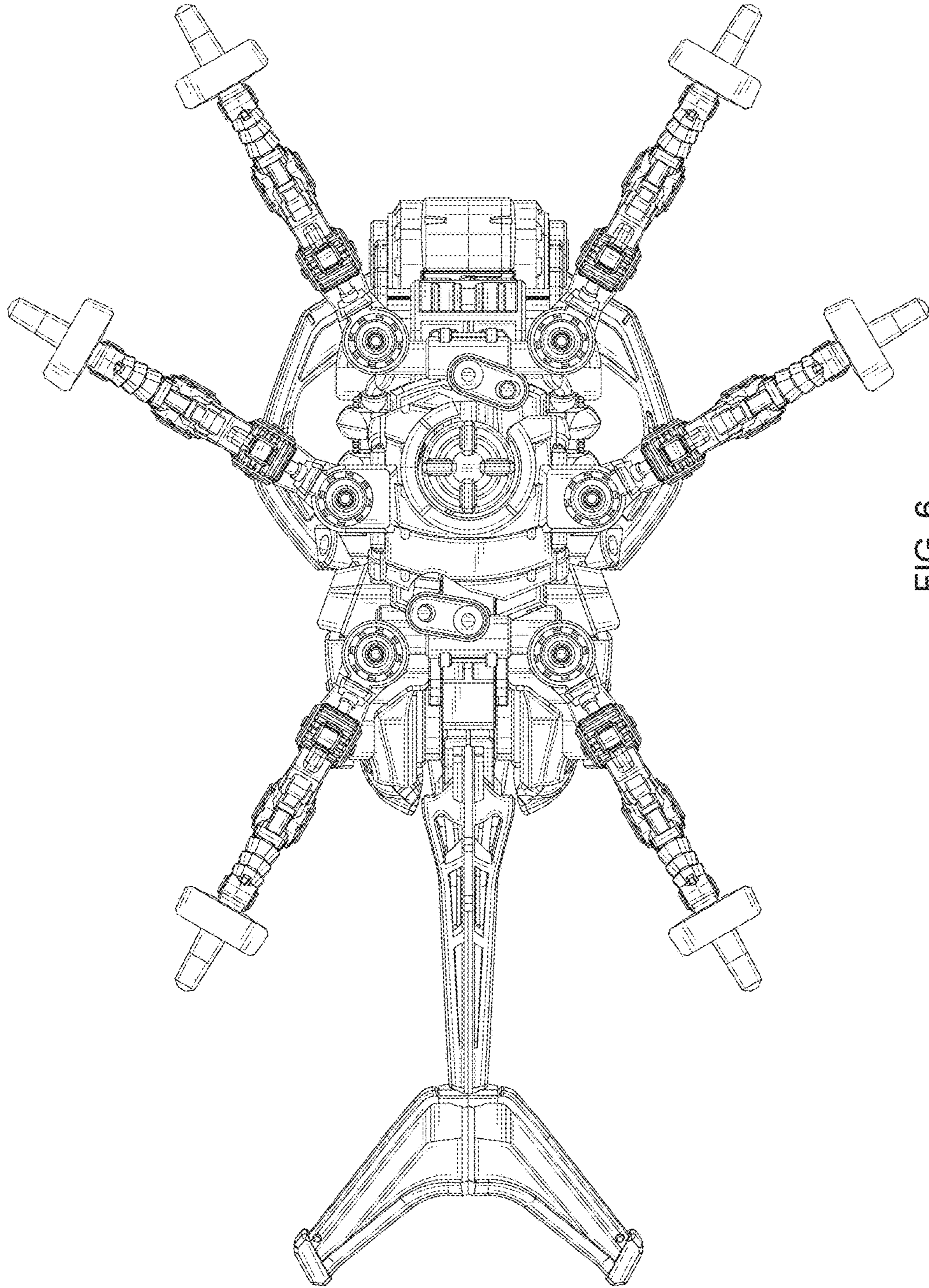


FIG. 6



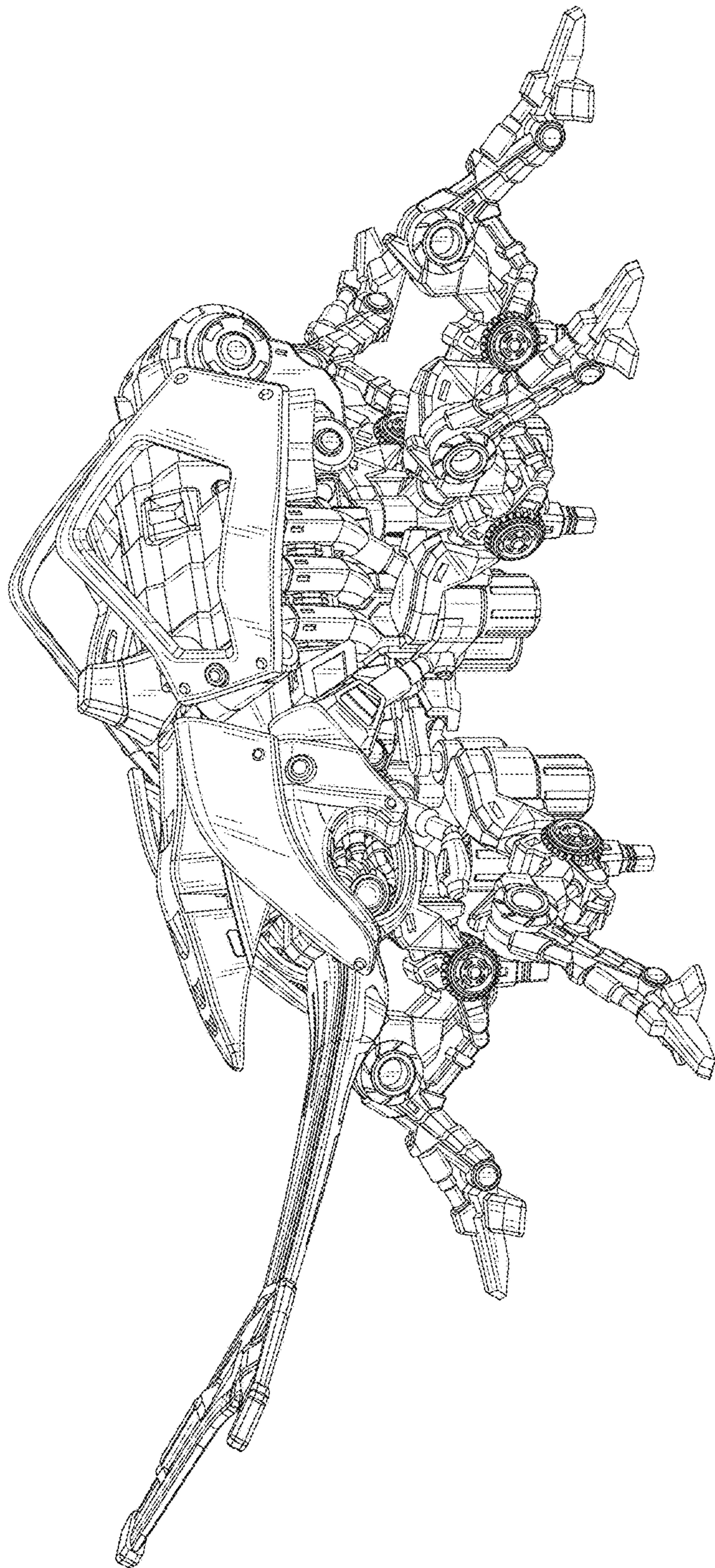


FIG. 7



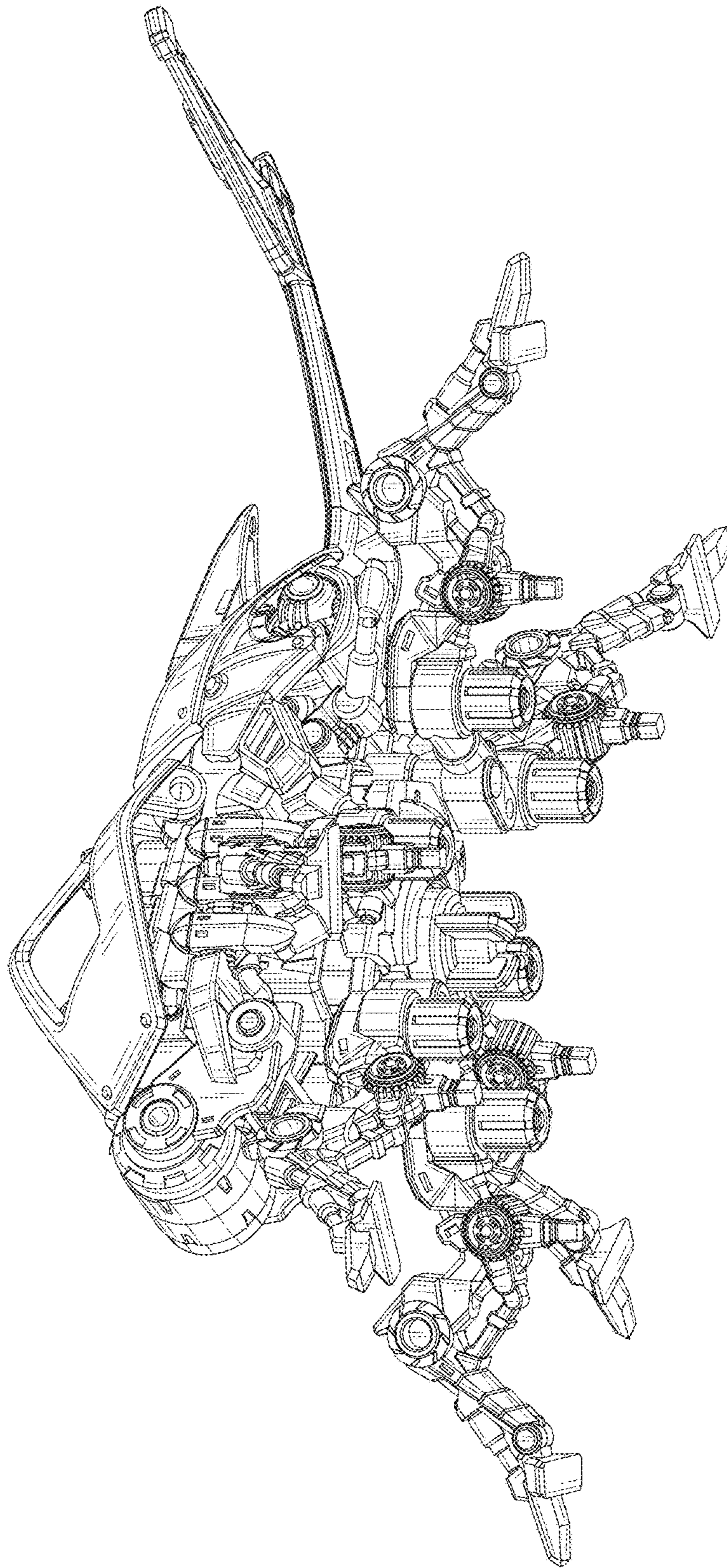


FIG. 8



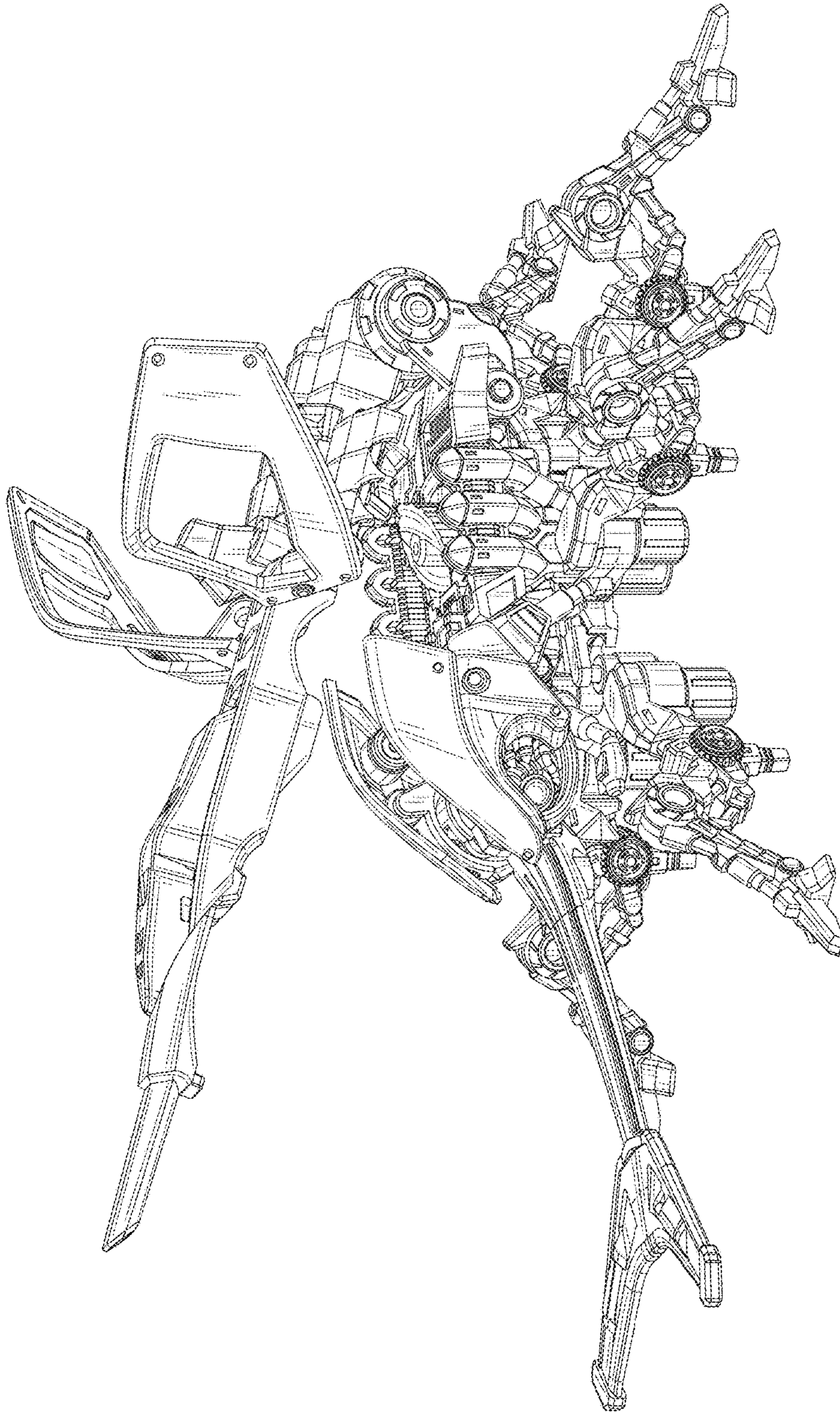


FIG. 9



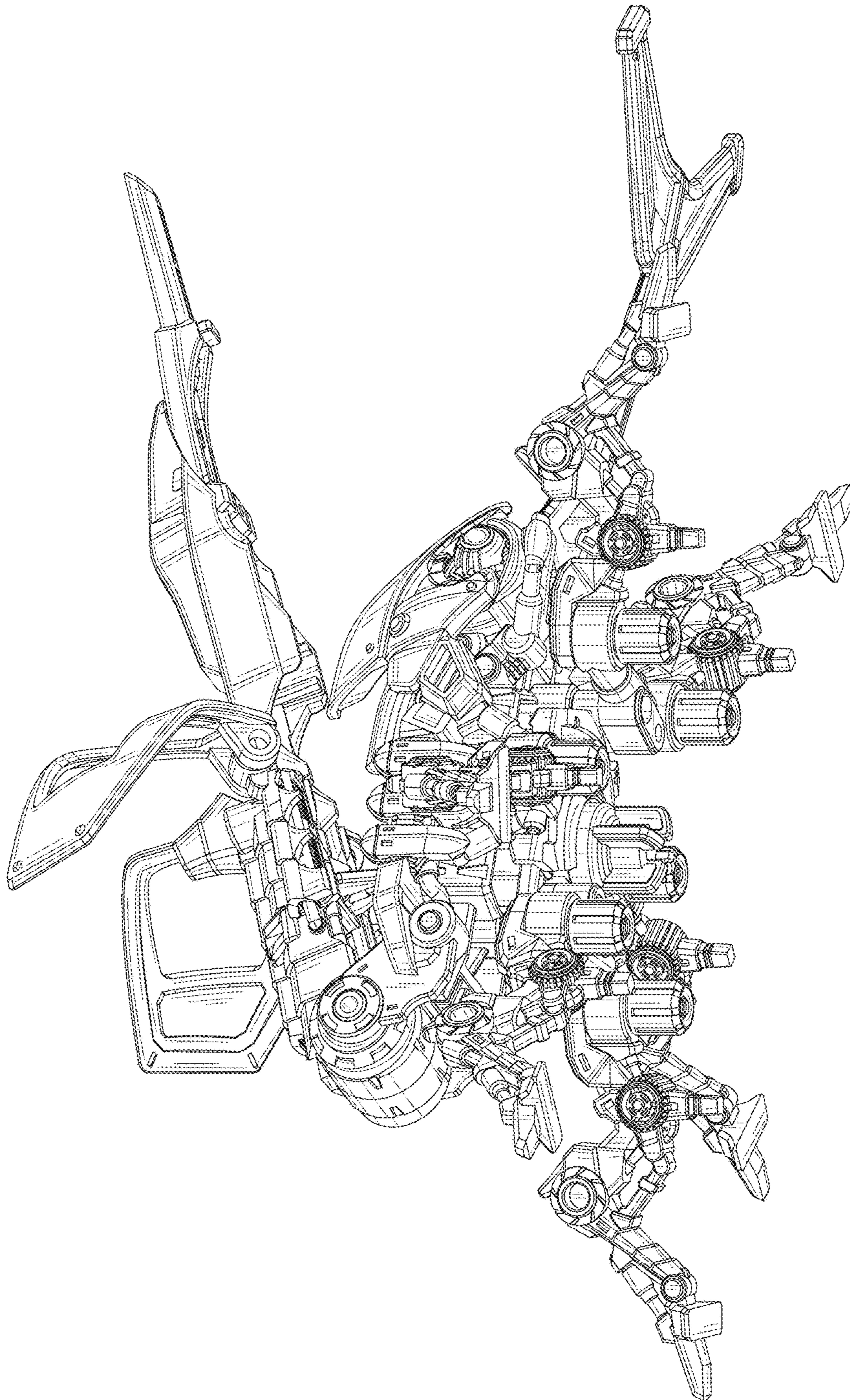


FIG. 10