

US00D867478S

(12) **United States Design Patent**
Katayama et al.

(10) **Patent No.:** **US D867,478 S**
(45) **Date of Patent:** **** Nov. 19, 2019**

(54) **ROBOT TOY**

(71) Applicant: **TOMY COMPANY, LTD.**, Tokyo (JP)

(72) Inventors: **Shu Katayama**, Tokyo (JP); **Akiko Ikoma**, Tokyo (JP); **Mitsutoshi Tokuyama**, Tokyo (JP); **Shigeru Kanauchi**, Tokyo (JP); **Makoto Kadokura**, Tokyo (JP)

(73) Assignee: **TOMY COMPANY, LTD.**, Tokyo (JP)

(**) Term: **15 Years**

(21) Appl. No.: **29/658,764**

(22) Filed: **Aug. 2, 2018**

(30) **Foreign Application Priority Data**

Feb. 13, 2018 (JP) 2018-002877

(51) **LOC (12) Cl.** **21-01**

(52) **U.S. Cl.**
USPC **D21/603; D21/578**

(58) **Field of Classification Search**
USPC D6/598; D11/158, 162; D21/576–596, D21/603–605, 611–613, 615, 617–618, D21/621, 650; 446/99, 268, 368–369, 446/376, 428, 487; 180/8.6; D30/160
CPC ... A63H 3/00; A63H 3/02; A63H 3/04; A63H 3/16; A63H 3/28; A63H 3/36; A63H 7/06; A63H 11/00; A63H 11/10; A63H 11/20; A63H 11/205; A63H 13/00; A63H 33/04; A63H 33/08; A63H 33/042; A63H 23/10

See application file for complete search history.

(56) **References Cited**

U.S. PATENT DOCUMENTS

4,236,346 A * 12/1980 Iwao A63H 11/205
446/368
4,301,615 A * 11/1981 Ikeda A63H 11/205
446/293
D301,354 S * 5/1989 Matsuda D21/584

D301,596 S * 6/1989 Leung D21/603
D392,594 S * 3/1998 Akins D11/158
D435,877 S * 1/2001 Brown, Jr. D21/603
D590,453 S * 4/2009 Sato D21/603
D590,455 S * 4/2009 Sato D21/603
D662,156 S * 6/2012 Chen A63H 11/205
D21/603
D662,157 S * 6/2012 Chiu A63H 11/205
D21/603

* cited by examiner

Primary Examiner — Sandra L Morris

(74) *Attorney, Agent, or Firm* — Oliff PLC

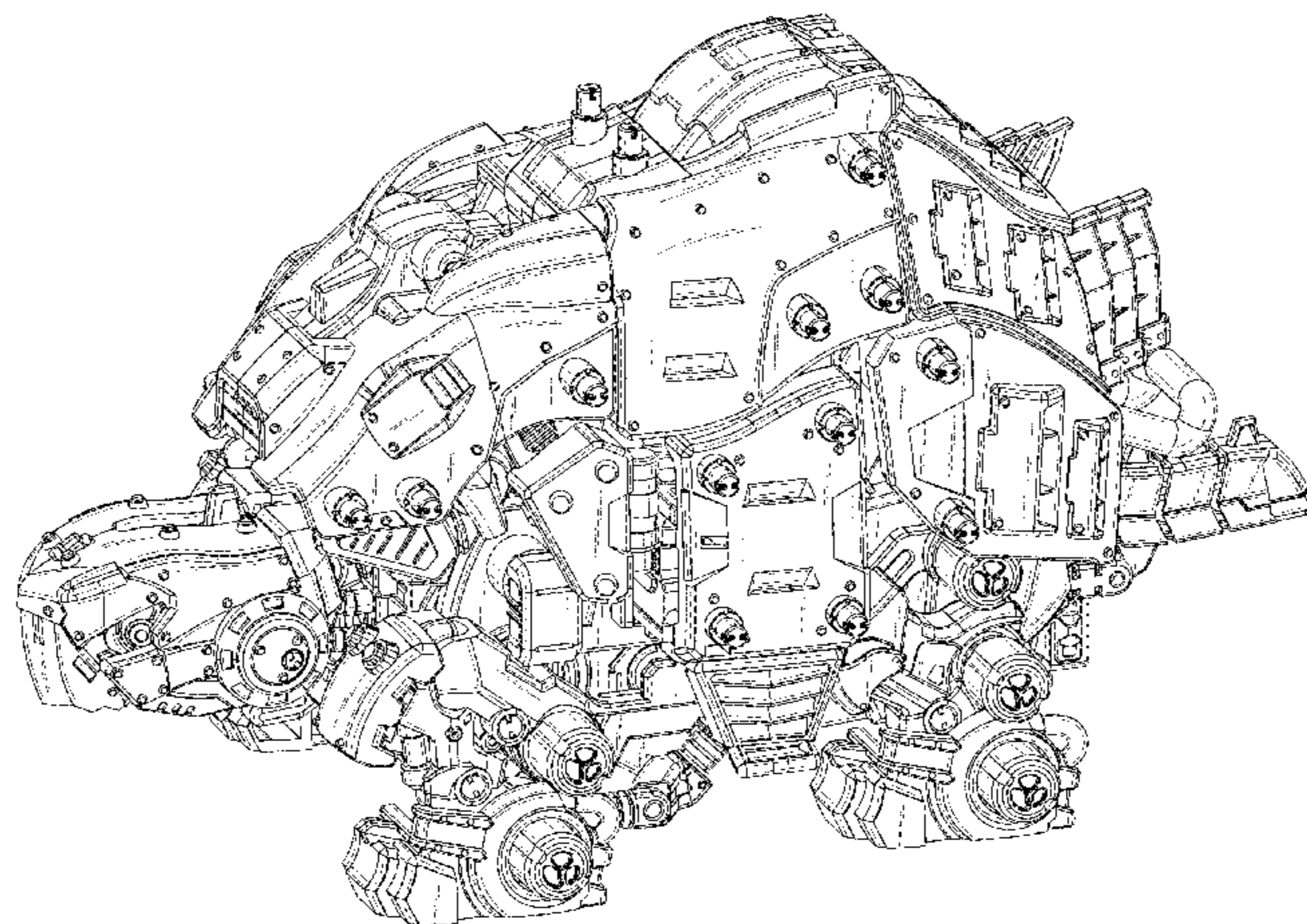
(57) **CLAIM**

The ornamental design for a robot toy, as shown and described.

DESCRIPTION

FIG. 1 is a right-side elevational view of the robot toy;
FIG. 2 is a left-side elevational view thereof;
FIG. 3 is a front elevational view thereof;
FIG. 4 is a rear elevational view thereof;
FIG. 5 is a top plan view thereof;
FIG. 6 is a bottom plan view thereof;
FIG. 7 is a front, right-side, top perspective view thereof;
FIG. 8 is a rear, left-side, bottom perspective view thereof;
FIG. 9 is a front, right-side, top perspective view of an alternate configuration thereof; and,
FIG. 10 is a rear, left-side, bottom perspective view of the alternate configuration.

1 Claim, 10 Drawing Sheets



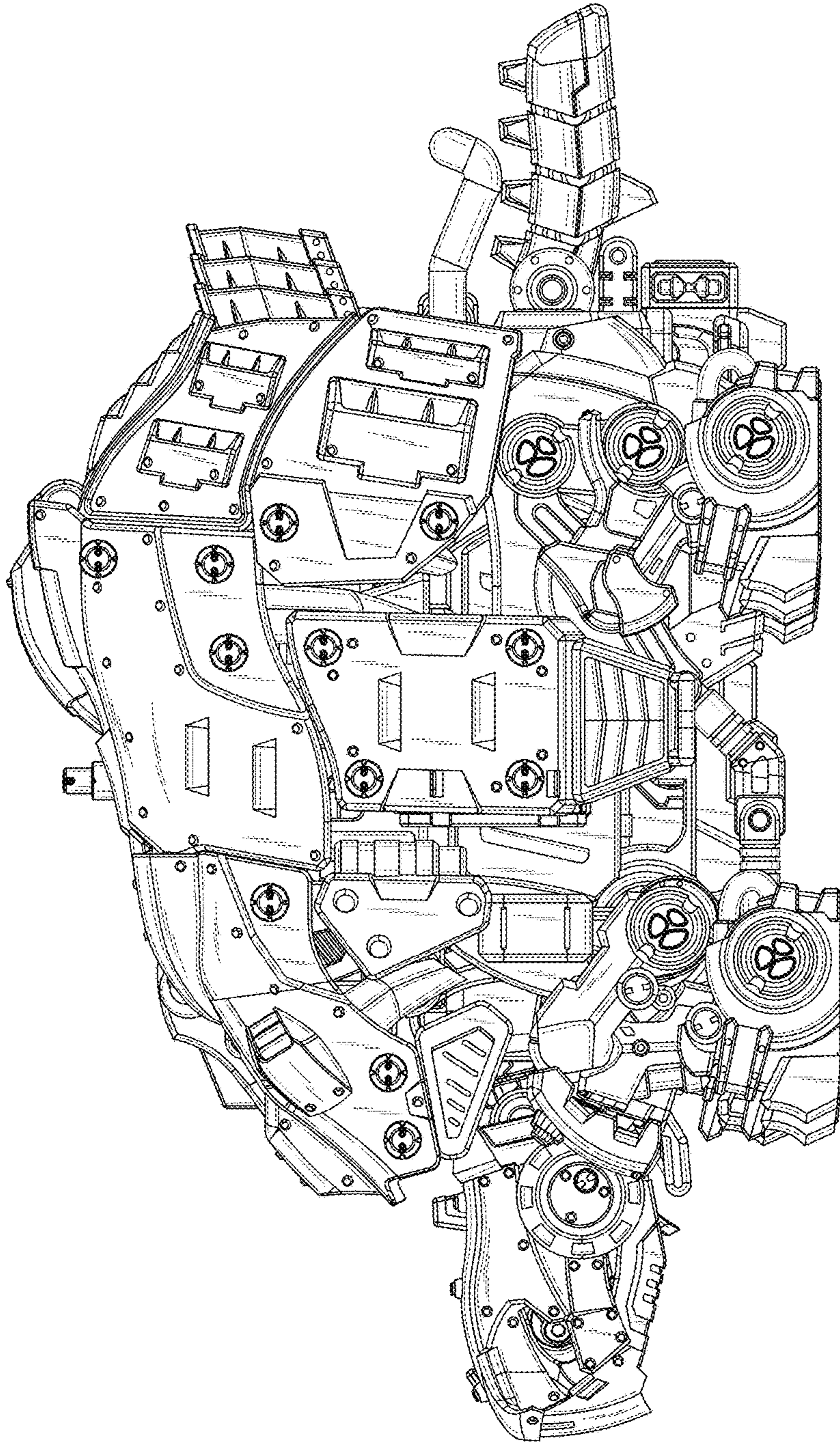


FIG. 1

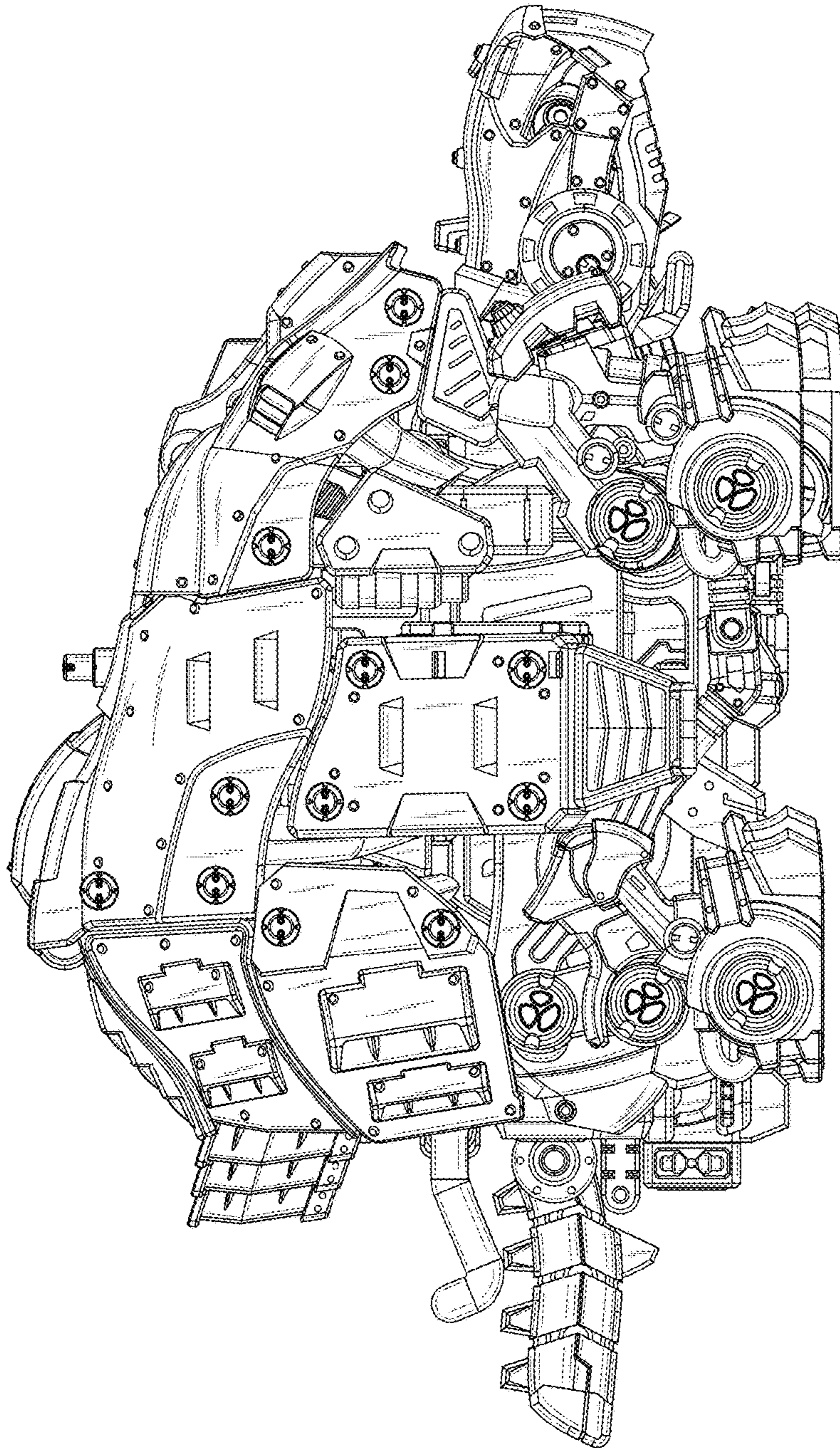


FIG. 2

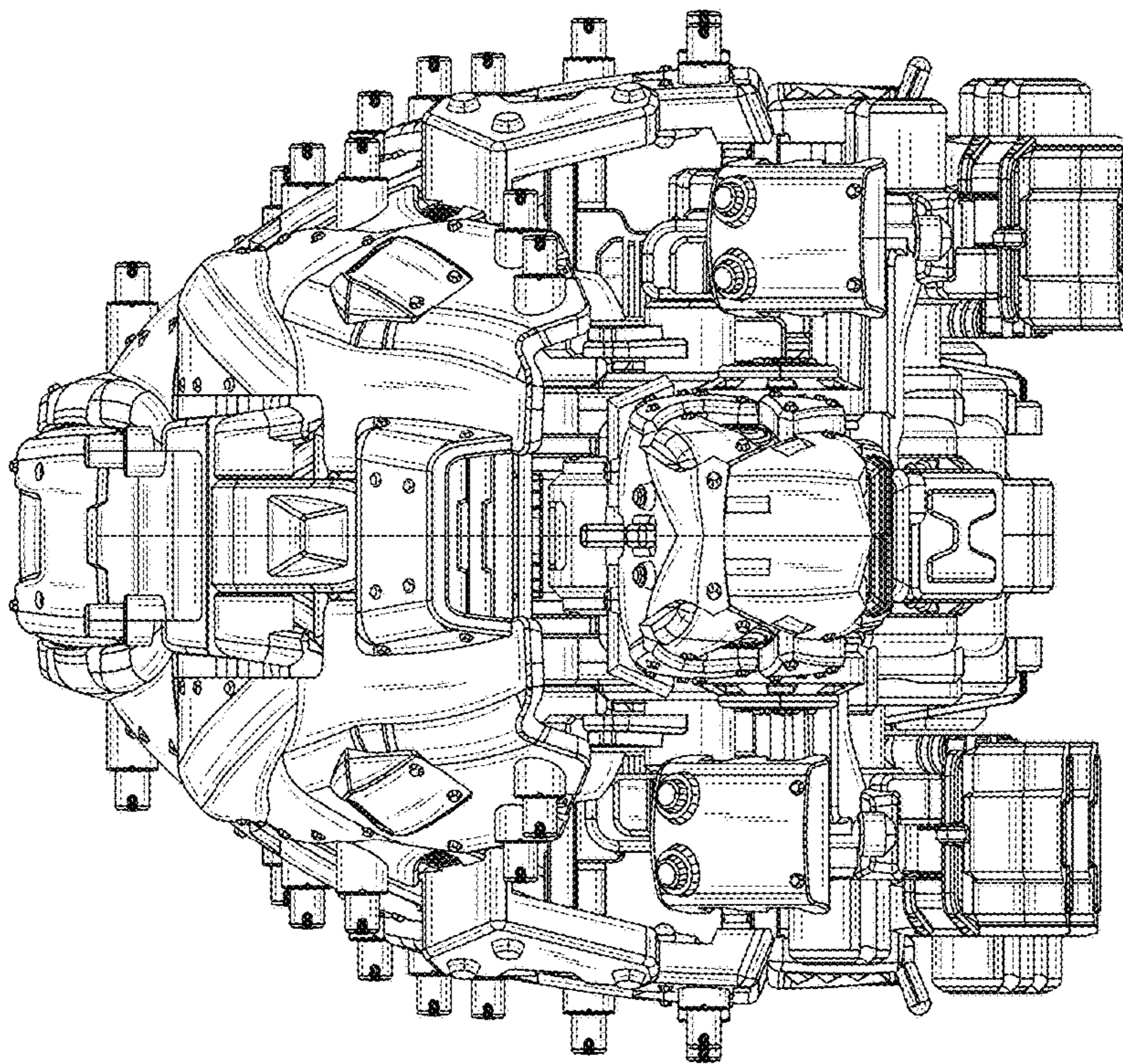


FIG. 3

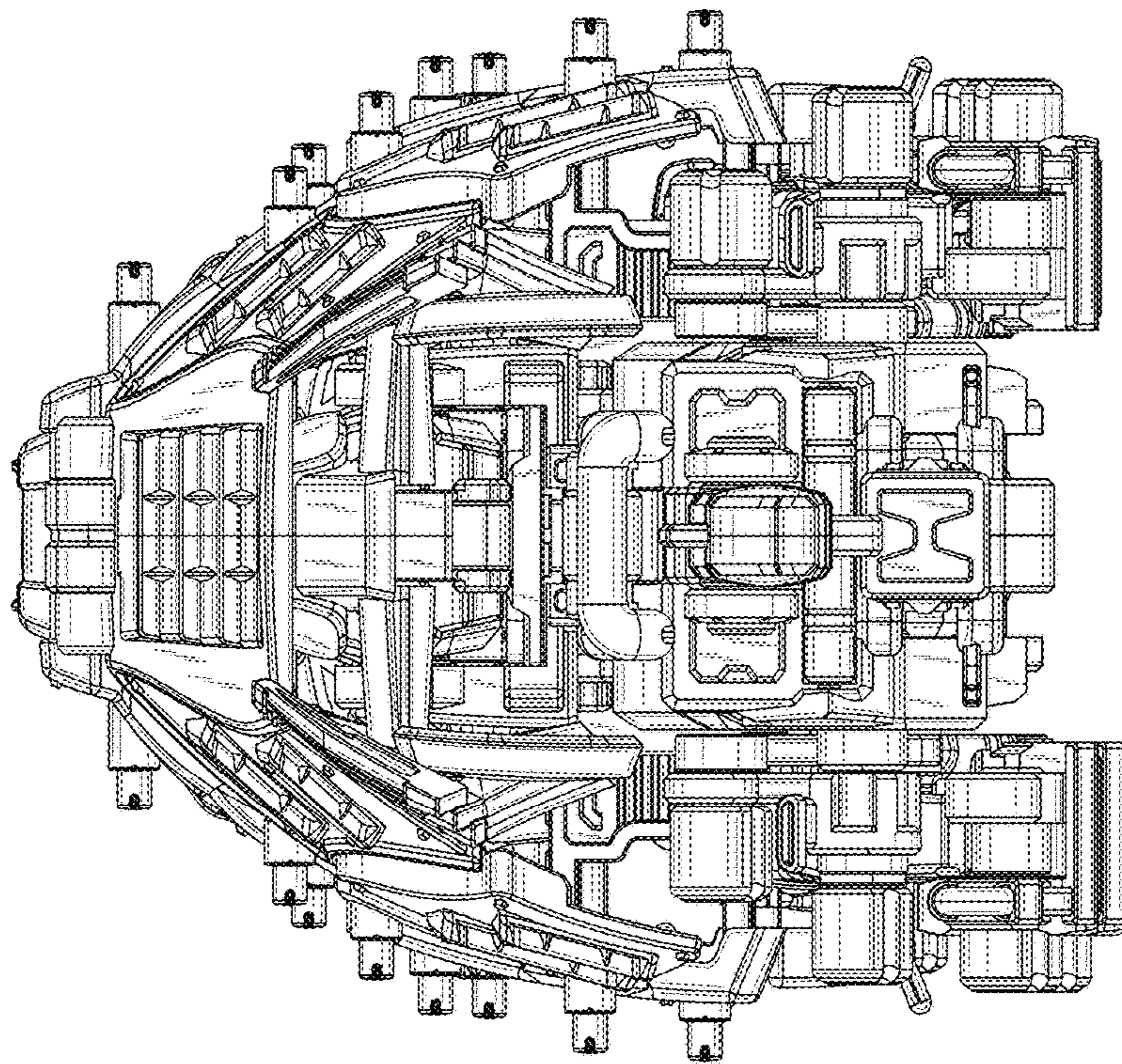


FIG. 4

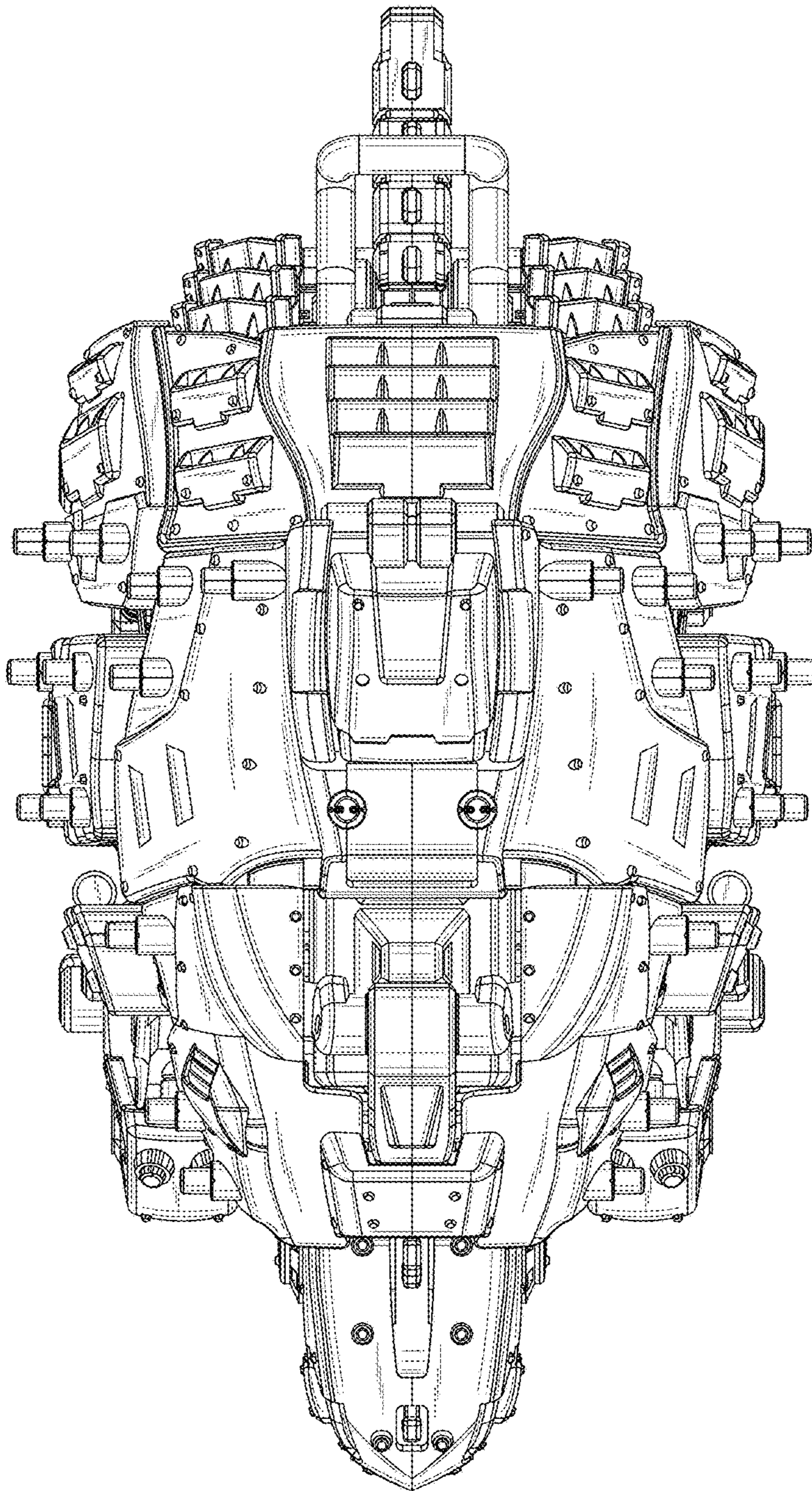


FIG. 5

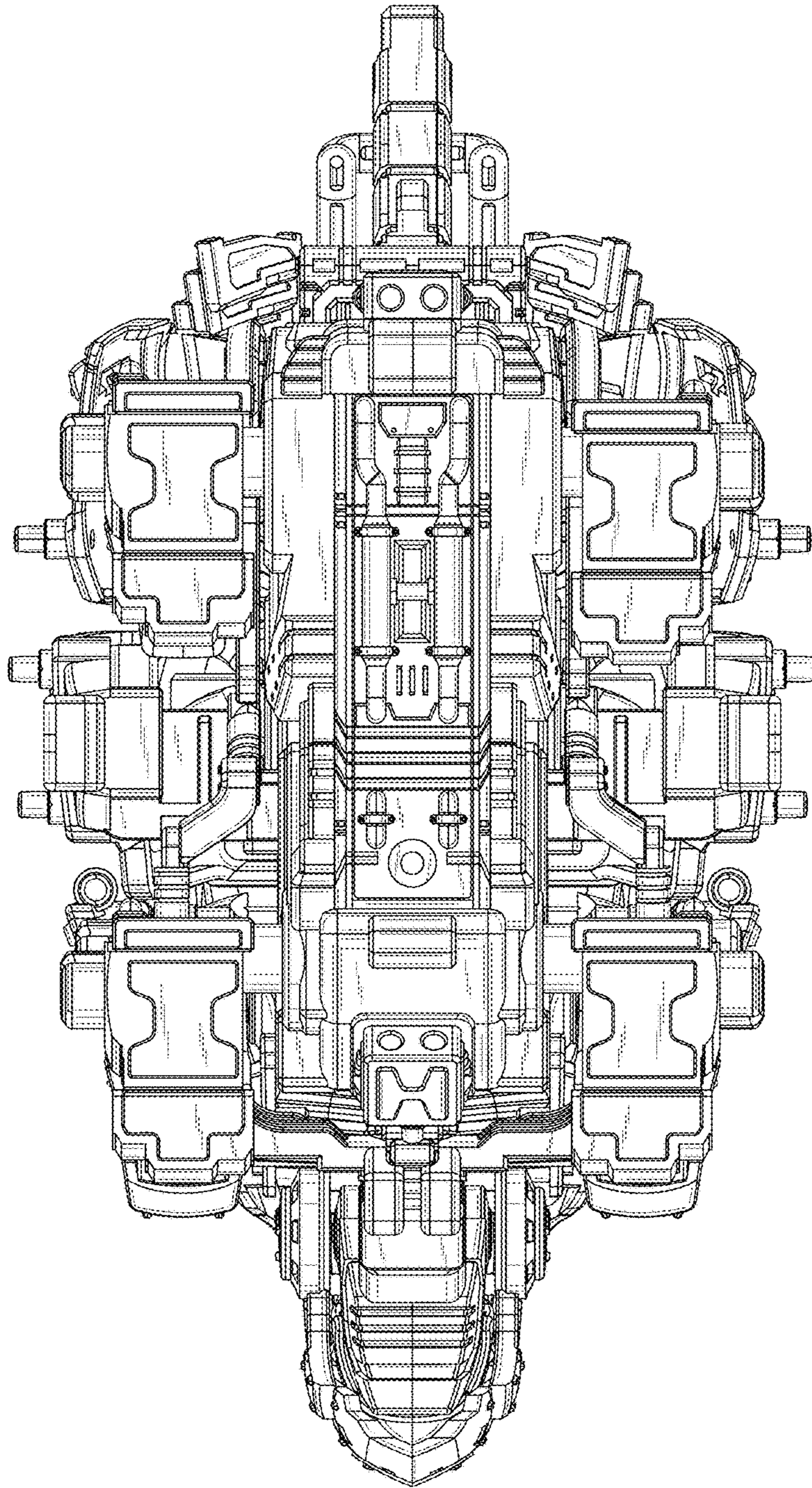


FIG. 6

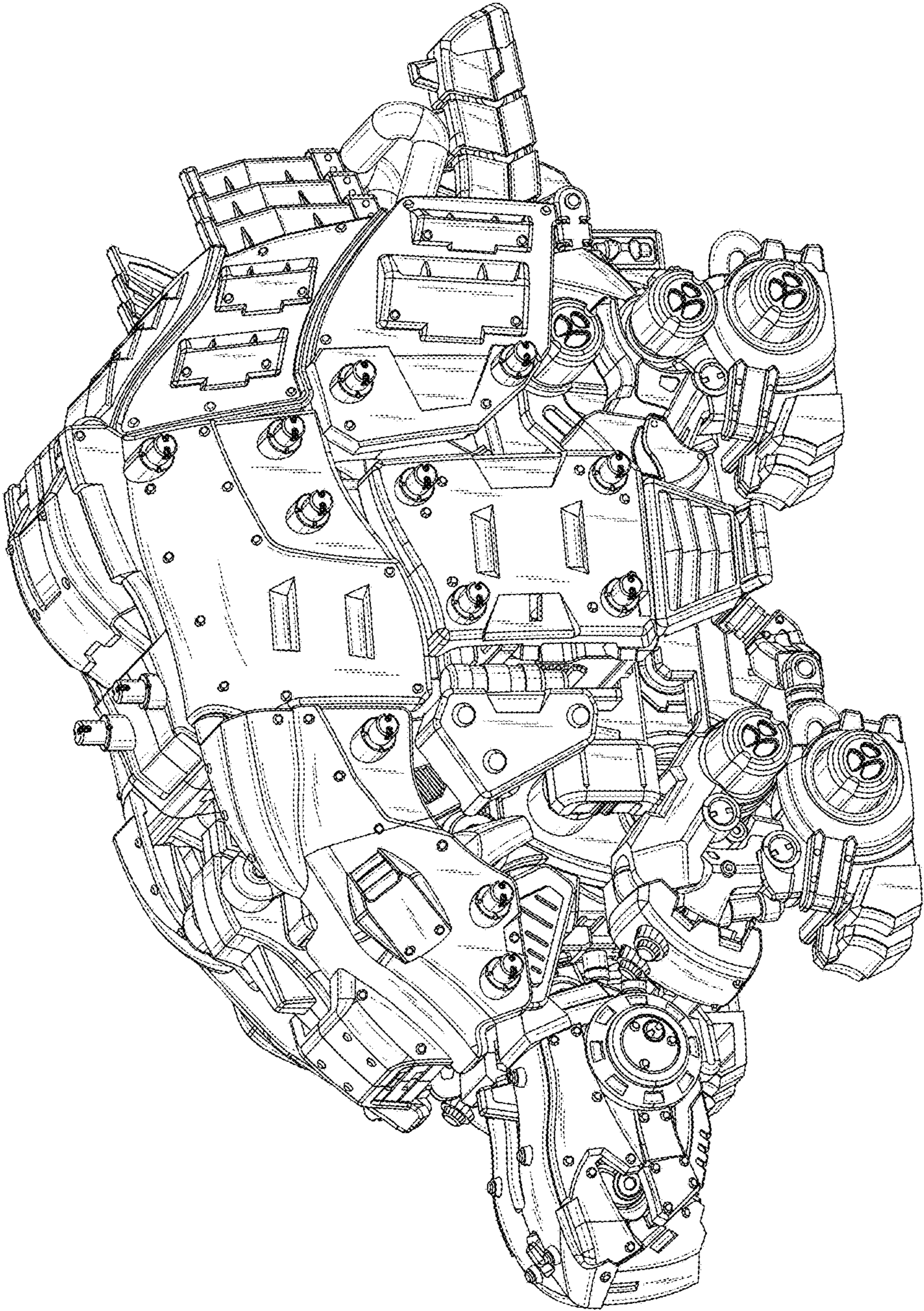


FIG. 7

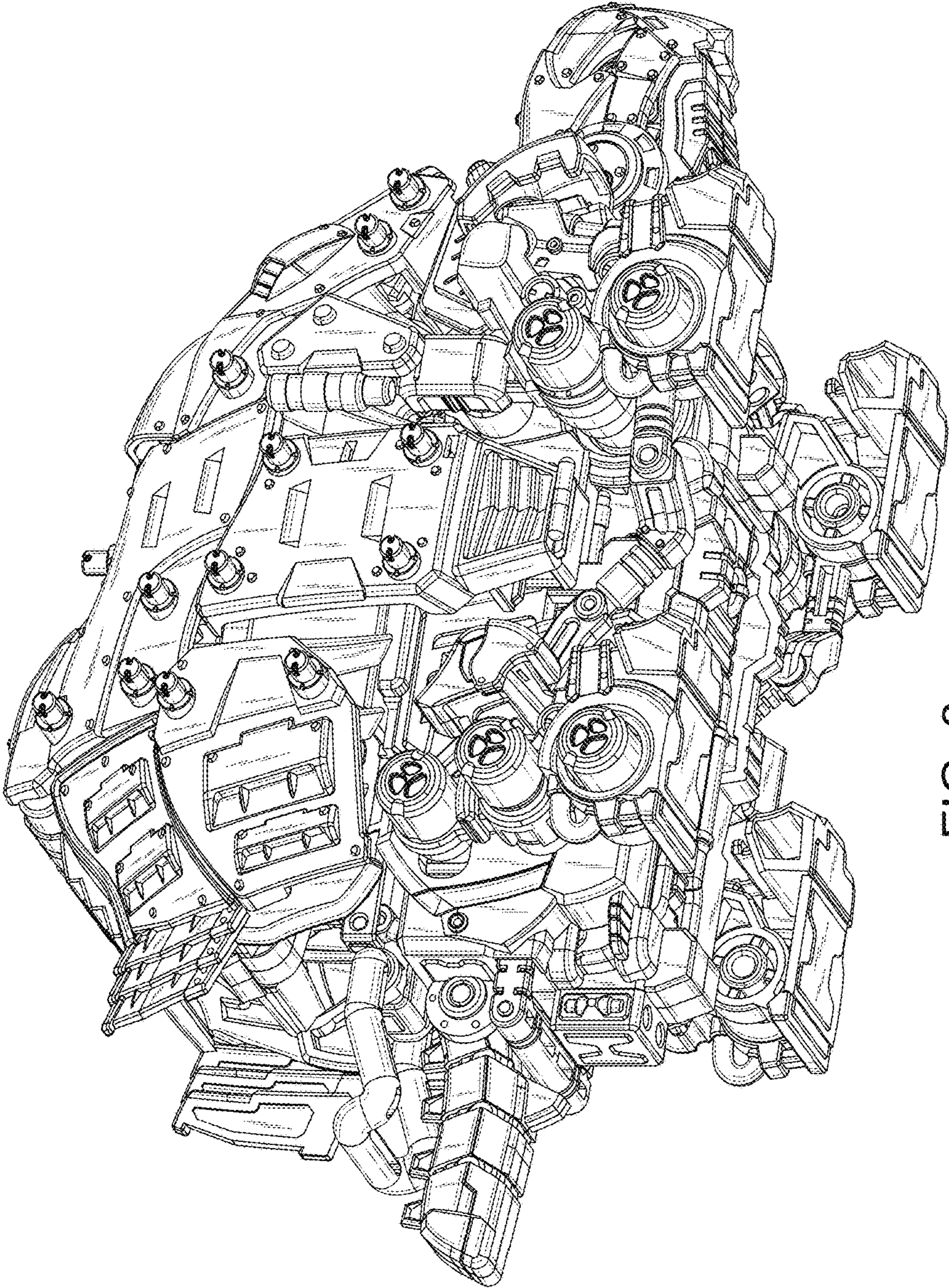


FIG. 8

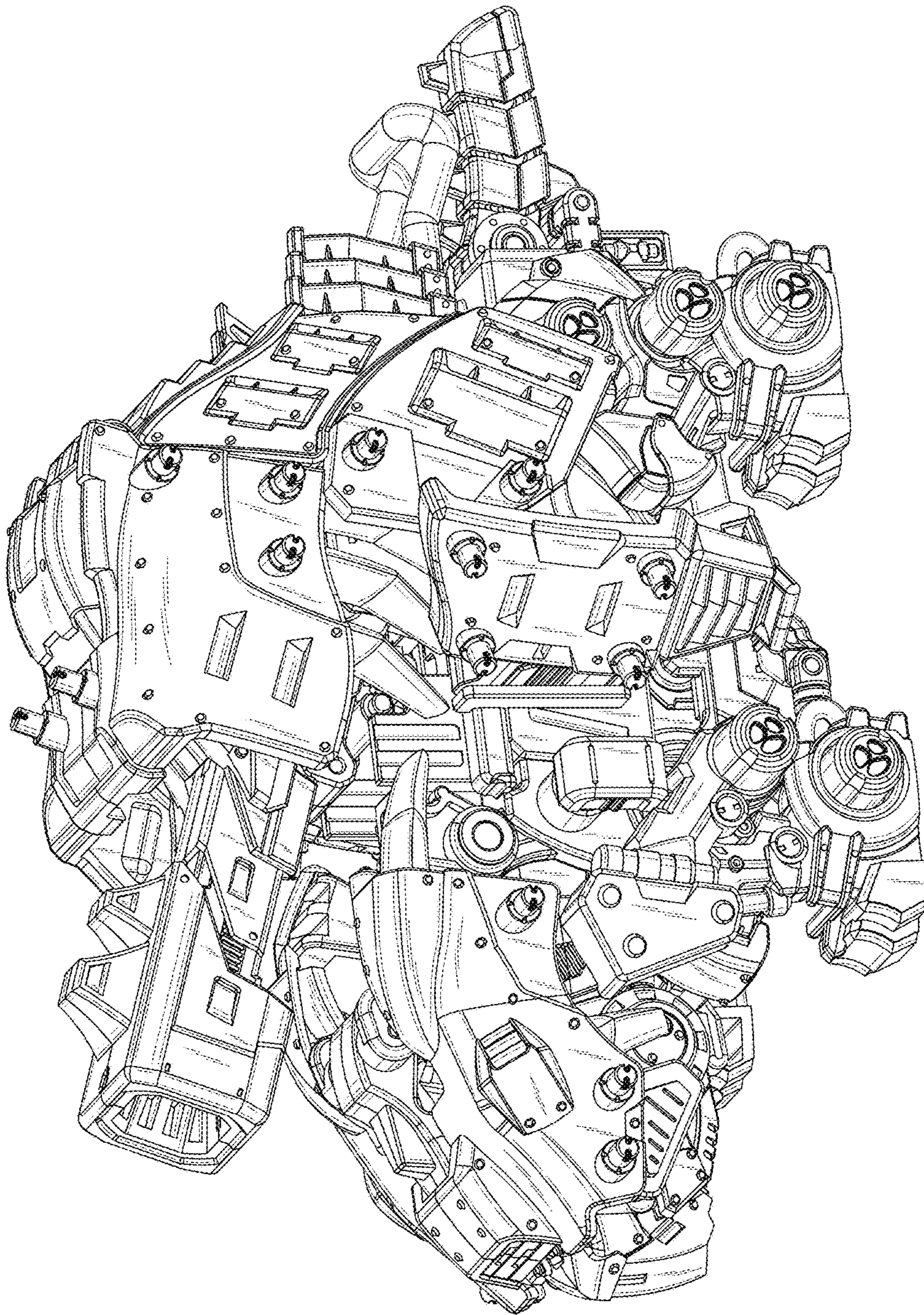


FIG. 9

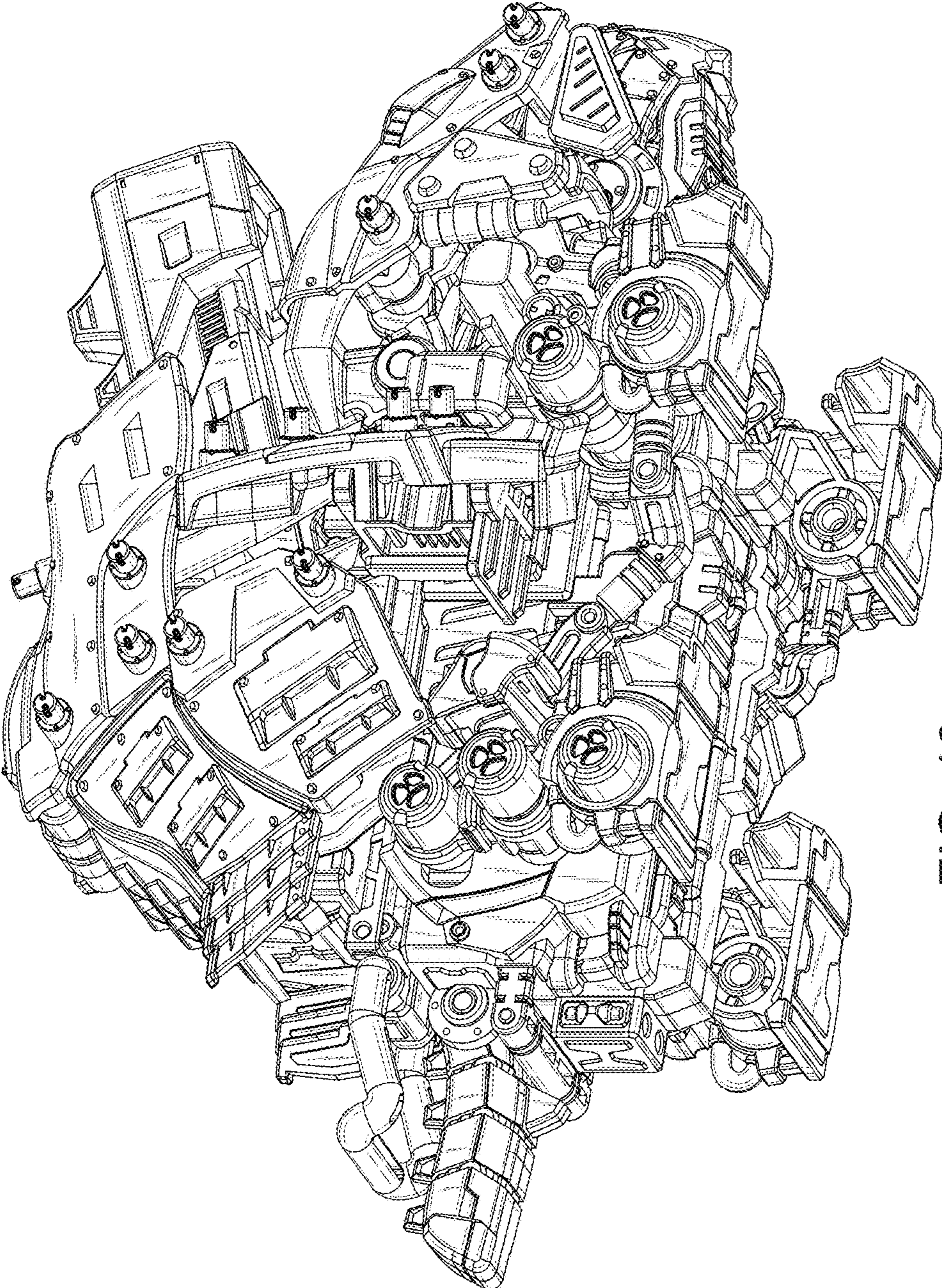


FIG. 10