



US00D867477S

(12) **United States Design Patent** (10) **Patent No.:** **US D867,477 S**
He et al. (45) **Date of Patent:** **** Nov. 19, 2019**

- (54) **TOY FIGURE** 4,203,248 A * 5/1980 Tapdrup A63H 3/16
 446/118
 (71) Applicant: **Shanghai Putao Technology Co., Ltd.,** 4,205,482 A * 6/1980 Christiansen A63H 3/16
 Shanghai (CN) 446/118
 (72) Inventors: **Yi He,** Shanghai (CN); **Xiang Zhang,** D278,735 S * 5/1985 Nielsen D21/621
 Shanghai (CN); **Fakui Cheng,** Shanghai D290,482 S * 6/1987 Ryaa D21/631
 (CN) D317,796 S * 6/1991 Laursen D21/621
 D352,078 S * 11/1994 Bertrand D21/621
 D353,856 S * 12/1994 Ryaa D21/621
 D420,064 S * 2/2000 Poirier D21/578
 D539,364 S * 3/2007 Sofussen D21/621
 (73) Assignee: **Shanghai Putao Technology Co., Ltd.,** D621,886 S * 8/2010 Lee D21/578
 Shanghai (CN) D677,744 S * 3/2013 Yu D21/578
 D738,966 S * 9/2015 Chen D21/621

(**) Term: **15 Years**

* cited by examiner

(21) Appl. No.: **29/638,238**

Primary Examiner — Zenia I Bennett

(22) Filed: **Feb. 26, 2018**

(74) *Attorney, Agent, or Firm* — Sterne, Kessler,
Goldstein & Fox P.L.L.C.

(30) **Foreign Application Priority Data**

(57) **CLAIM**

Sep. 13, 2017 (CN) 2017 3 0433101

The ornamental design for a toy figure, as shown and described.

(51) **LOC (12) Cl.** **21-01**

(52) **U.S. Cl.**
USPC **D21/578**

DESCRIPTION

(58) **Field of Classification Search**
USPC D21/578–583, 587, 630, 658–661;
D15/199
CPC B25J 5/00; B25J 9/00
See application file for complete search history.

FIG. 1 is a top front perspective view of a toy figure showing the claimed design;
FIG. 2 is a front view thereof;
FIG. 3 is a rear view thereof;
FIG. 4 is a left side view thereof;
FIG. 5 is a right side view thereof; and,
FIG. 6 is a top view thereof.

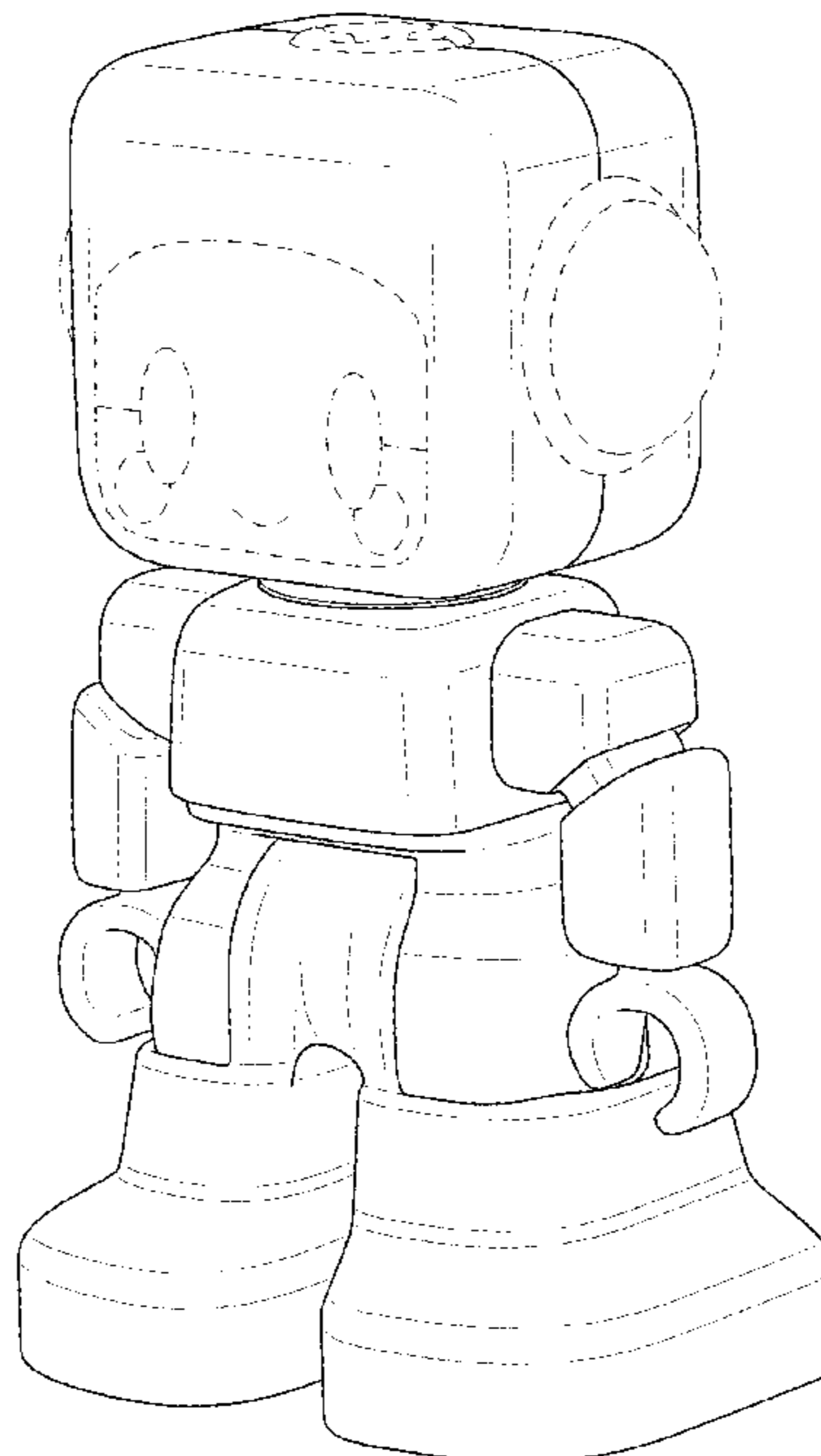
(56) **References Cited**

The broken lines in the figures show portions of the toy figure that form no part of the claimed design.

U.S. PATENT DOCUMENTS

- D248,881 S * 8/1978 Goldfarb D21/621
 D253,711 S * 12/1979 Christiansen D21/621

1 Claim, 5 Drawing Sheets



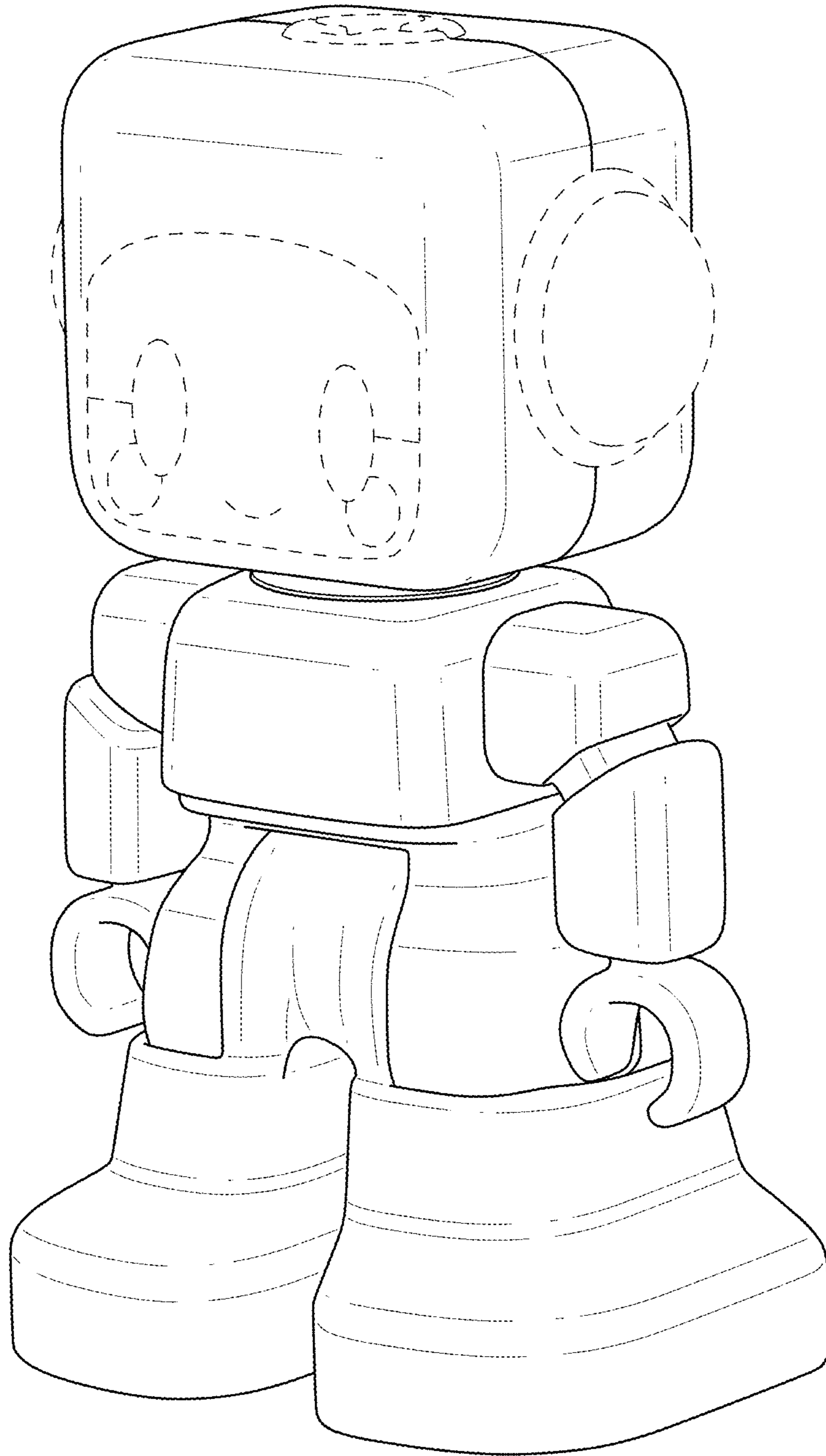


FIG. 1

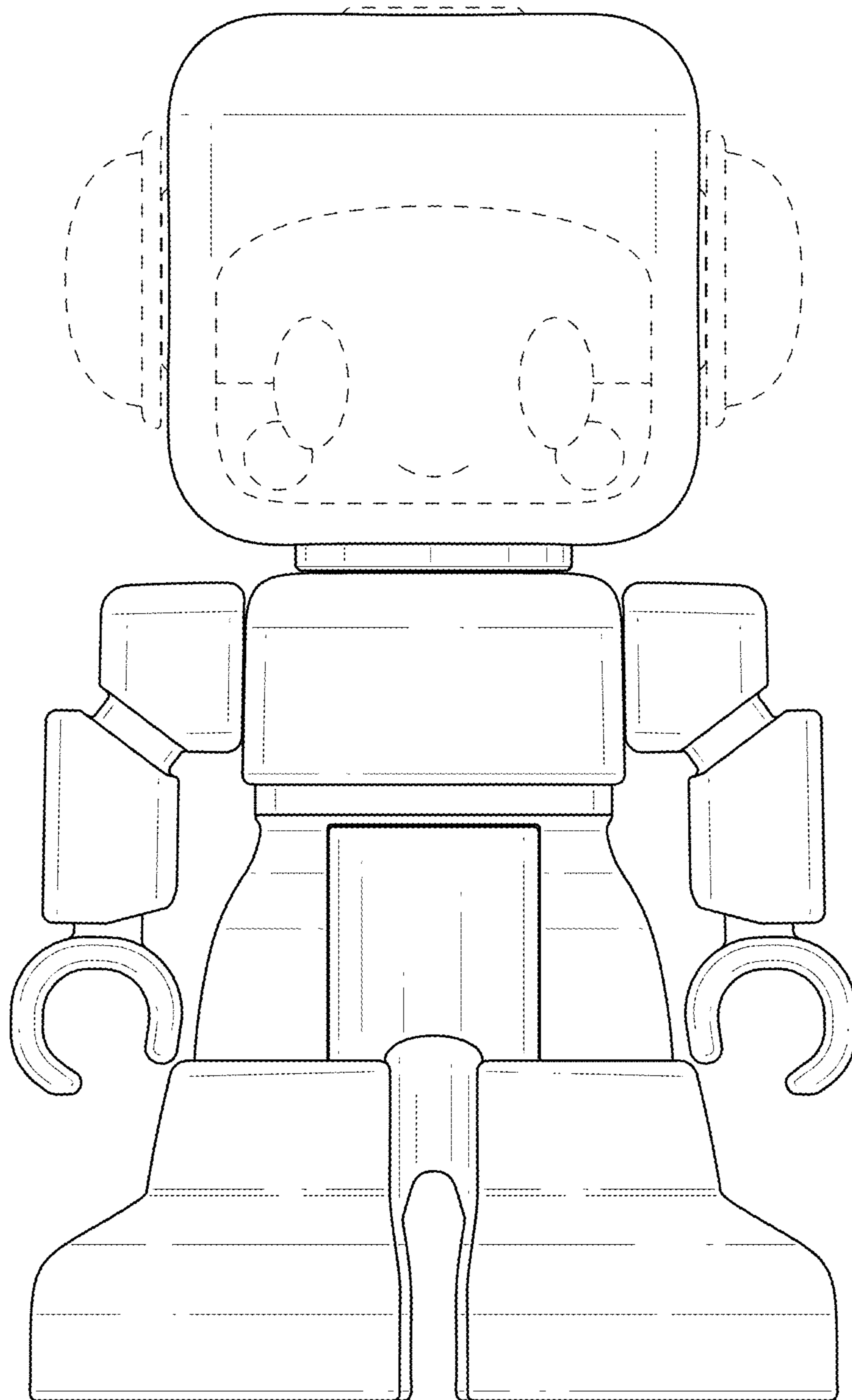


FIG. 2

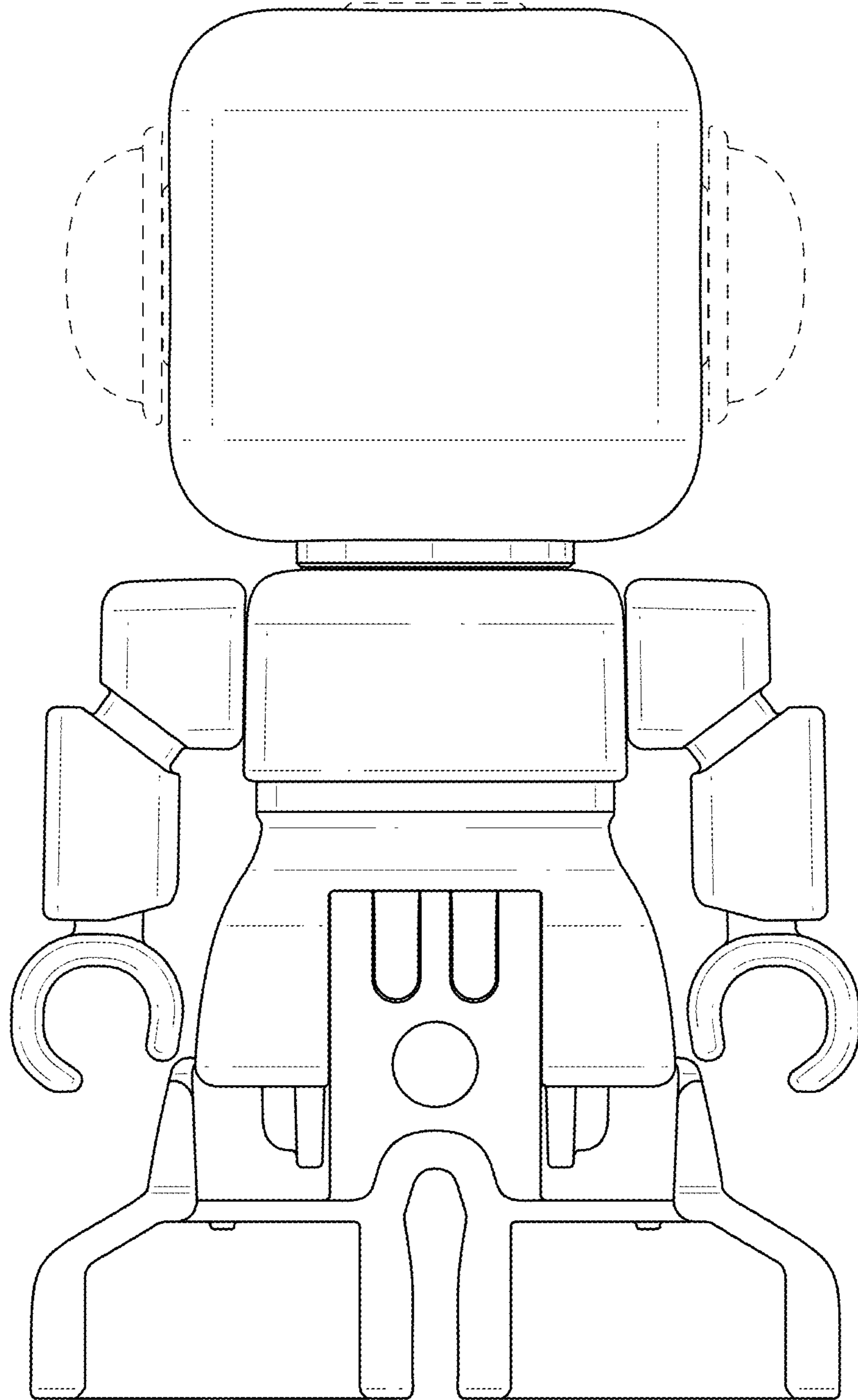


FIG. 3

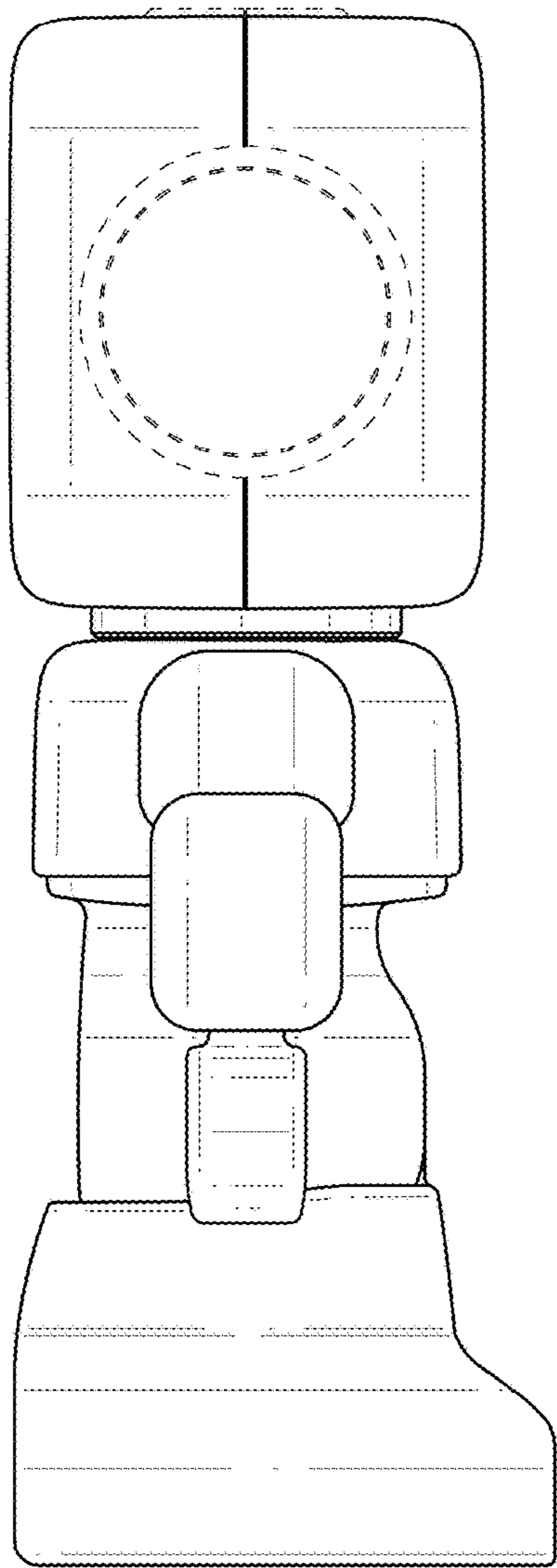


FIG. 4

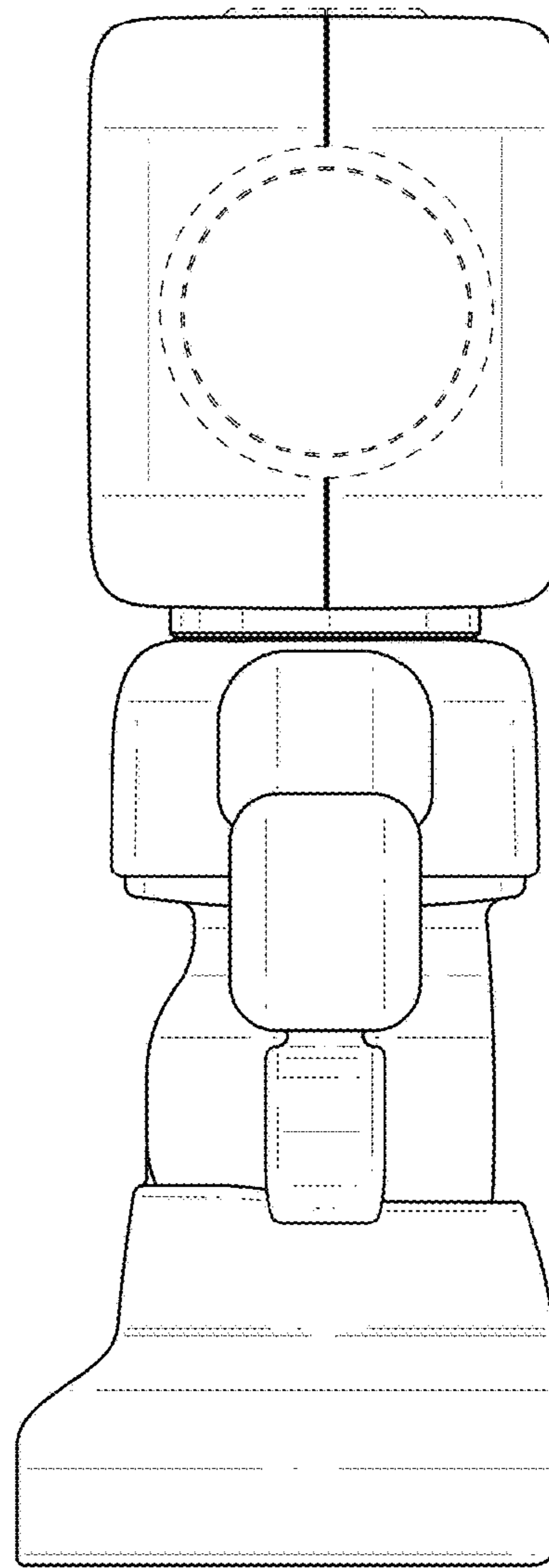


FIG. 5

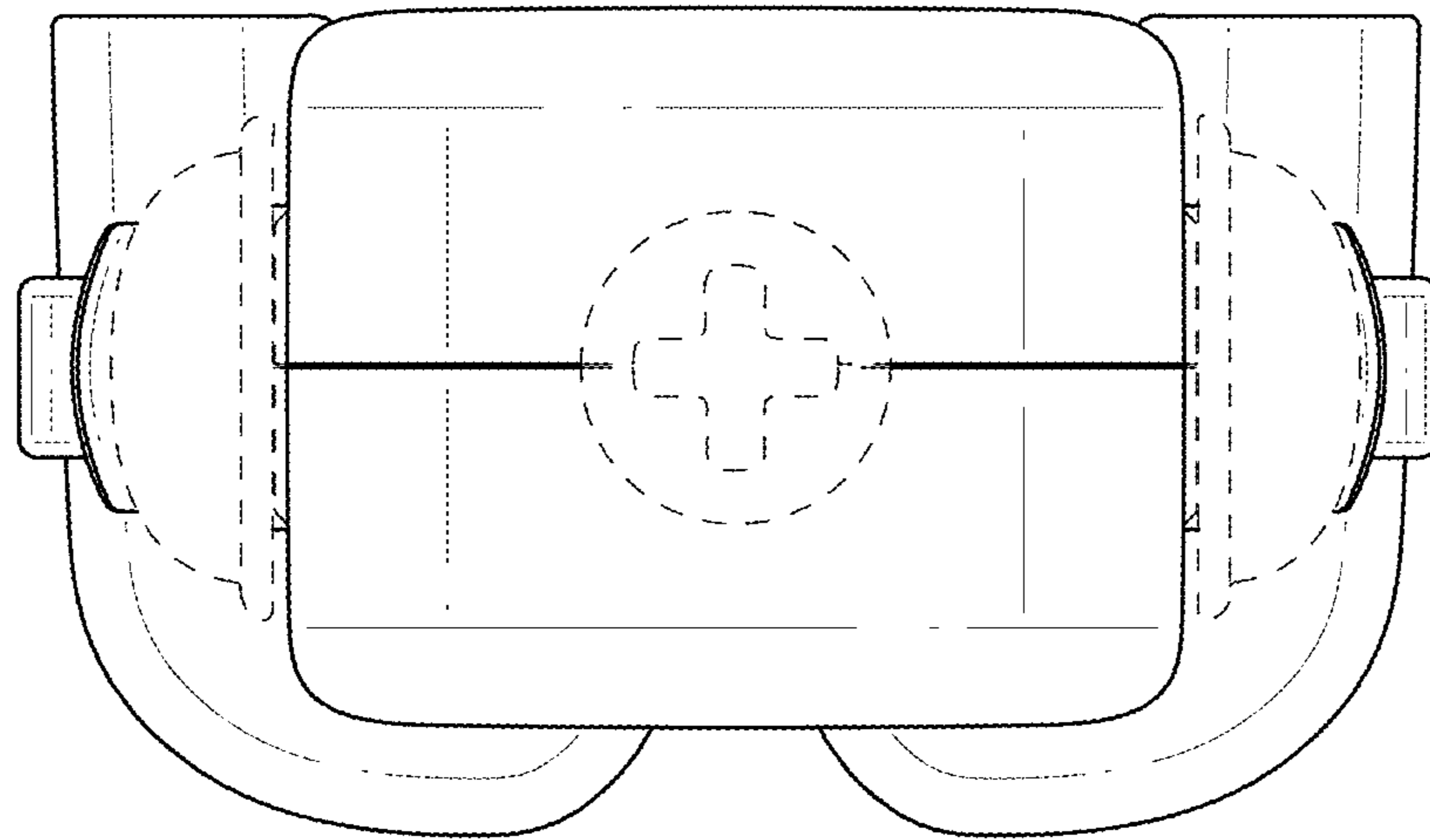


FIG. 6