



US00D867471S

(12) **United States Design Patent** (10) **Patent No.:** **US D867,471 S**  
**Ablow et al.** (45) **Date of Patent:** **\*\* Nov. 19, 2019**

(54) **FIDGET DEVICE WITH INTELLIGENT MIEN**  
(71) Applicants: **Keith Russell Ablow**, Newbury, MA (US); **Sidney Baker Elston, III**, Newtown Square, PA (US)  
(72) Inventors: **Keith Russell Ablow**, Newbury, MA (US); **Sidney Baker Elston, III**, Newtown Square, PA (US)  
(\*\*) Term: **15 Years**  
(21) Appl. No.: **29/648,664**  
(22) Filed: **May 23, 2018**  
(51) **LOC (12) Cl.** ..... **21-01**  
(52) **U.S. Cl.**  
USPC ..... **D21/468**; D21/576; D21/578  
(58) **Field of Classification Search**  
USPC ..... D21/398, 400, 404, 405-407, 461, 466, D21/468, 483, 493, 576-661, 725, 787; D8/107, 300, 301, 303, 305, 307, 310, D8/DIG. 4, DIG. 5, DIG. 6, DIG. 7, D8/DIG. 8; D24/107, 133, 140, 158, 167, D24/168, 170, 186, 188, 200, 211, 214, D24/231; D14/388, 403, 405, 412, 413, D14/417; D10/46, 53, 54, 60, 80, 83, 94, D10/103; D19/123, 136, 158, 187, 189, D19/199, 203; 446/129-139, 144, 219, 446/236-266, 268, 327, 330, 337, 341, 446/343, 344, 346, 392, 484, 485  
CPC ..... A63H 3/003; A63H 3/365; A63H 3/38; A63H 3/40; A63H 1/00-32; A63H 33/00; A63H 33/002; A63H 33/22; A63H 33/26; A63H 33/30; A63H 33/3072; A63H 33/42; A63F 9/001; A63F 2009/0018; A63F 2009/0049; A63F 2009/0055; A63F 2009/0059; A63F 2009/0063; A63F 2009/0064; A63F 2009/0072; B43K 29/00; B43K 29/004; B43K 29/18; B43K 31/00

See application file for complete search history.

(56) **References Cited**  
U.S. PATENT DOCUMENTS  
D71,917 S \* 1/1927 Kotolidis ..... D21/398  
D91,118 S \* 11/1933 Lorenzi ..... D21/465  
D97,329 S \* 10/1935 Katagiri ..... D21/623  
D142,325 S \* 8/1945 Judd ..... D21/398  
D270,279 S \* 8/1983 Hamilton ..... D24/211  
D285,471 S \* 9/1986 Thomson ..... D21/577  
4,754,963 A \* 7/1988 Dowd ..... A63B 23/16  
482/128  
4,822,044 A \* 4/1989 Perkitny ..... A63F 9/34  
273/109  
4,929,211 A \* 5/1990 Resnick ..... A63B 23/16  
446/14  
D356,122 S \* 3/1995 Bodo ..... D21/406  
D364,653 S \* 11/1995 Boden ..... D10/116.1  
(Continued)

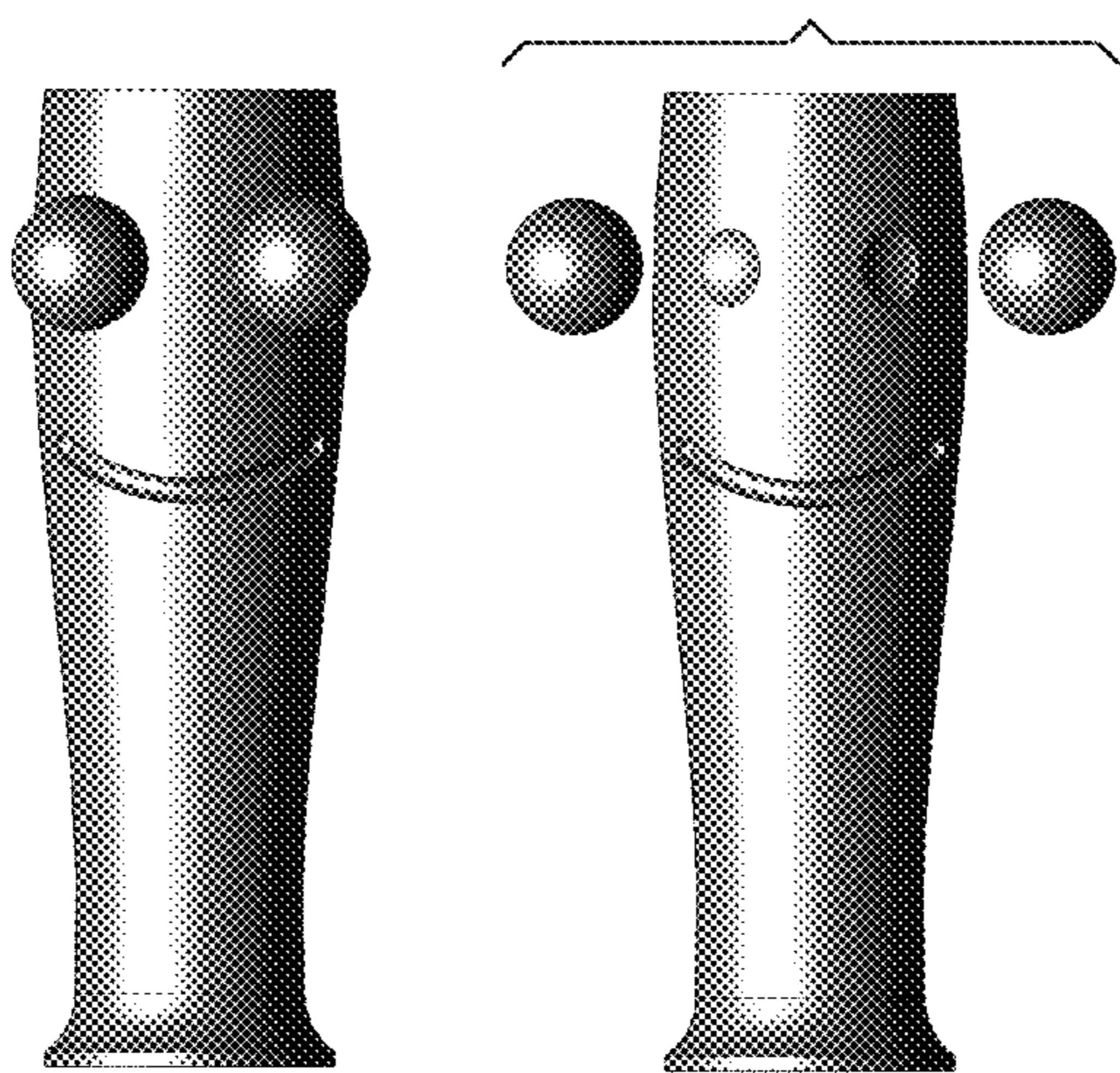
FOREIGN PATENT DOCUMENTS  
CA 2169664 A1 \* 8/1997 ..... A63B 43/04  
CA 2713351 A1 \* 7/2009 ..... A63H 33/003  
WO WO-2004060515 A1 \* 7/2004 ..... A63H 15/06

Primary Examiner — Catherine A Tuttle

(57) **CLAIM**  
The ornamental design for the fidget device with intelligent mien, as shown and described.

**DESCRIPTION**  
FIG. 1 is a front elevational view of a fidget device showing our new design.  
FIG. 2 is a front elevational exploded view thereof, showing the magnetic ball bearings removed.  
FIG. 3 is a rear elevational view thereof;  
FIG. 4 is a right side elevational view thereof, with the left elevational being a mirror image of the right; and,  
FIG. 5 is a bottom-right quartering perspective view thereof.

**1 Claim, 5 Drawing Sheets**



(56)

**References Cited**

U.S. PATENT DOCUMENTS

5,989,099 A \* 11/1999 Arnold, III ..... A63H 33/00  
434/112  
D448,693 S \* 10/2001 Crafoord ..... D10/103  
6,319,088 B1 \* 11/2001 Cole ..... A63H 33/38  
446/147  
D492,737 S \* 7/2004 Shields ..... D11/131  
7,806,746 B2 \* 10/2010 Walterscheid ..... A63H 37/005  
446/308  
D642,067 S \* 7/2011 Azar ..... D21/725  
D645,524 S \* 9/2011 Maalouf ..... D21/623  
D706,370 S \* 6/2014 Byron ..... D21/753  
D709,563 S \* 7/2014 Baumann ..... D21/398  
D819,143 S \* 5/2018 Lyon ..... D21/398  
D838,323 S \* 1/2019 Becerra ..... D21/578  
2004/0102290 A1 \* 5/2004 Holzman ..... A63B 67/083  
482/44

\* cited by examiner

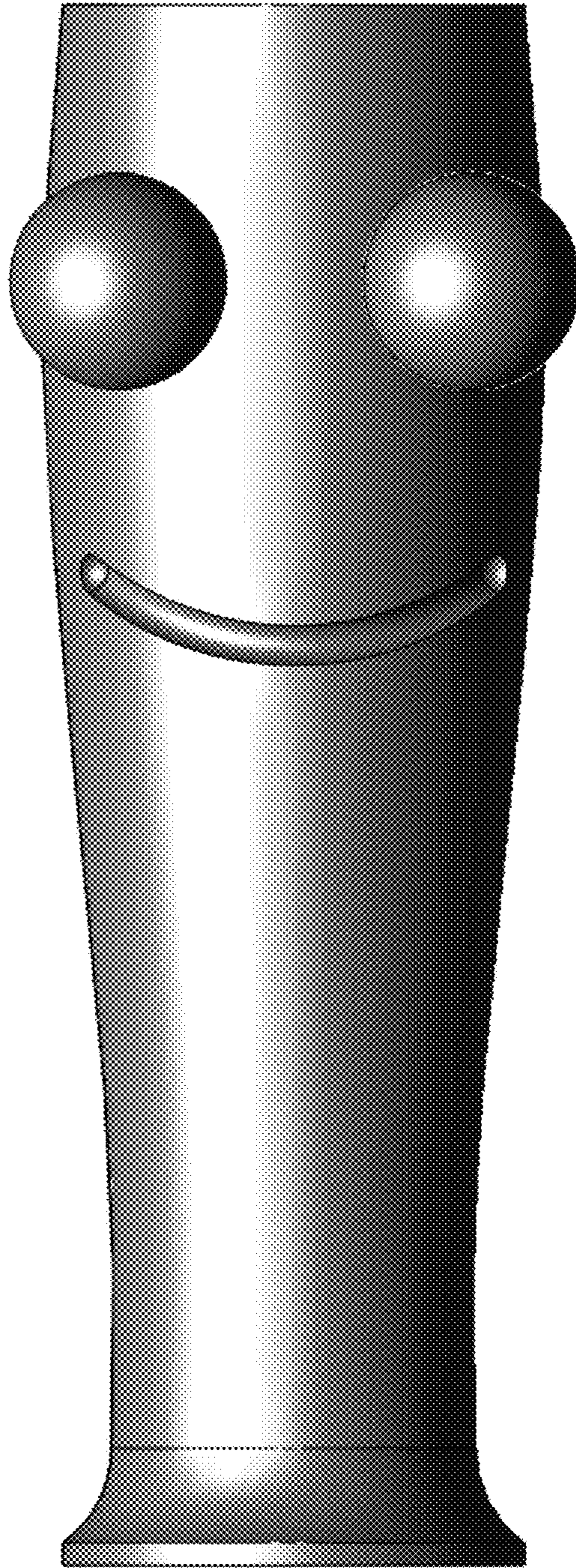


FIG. 1

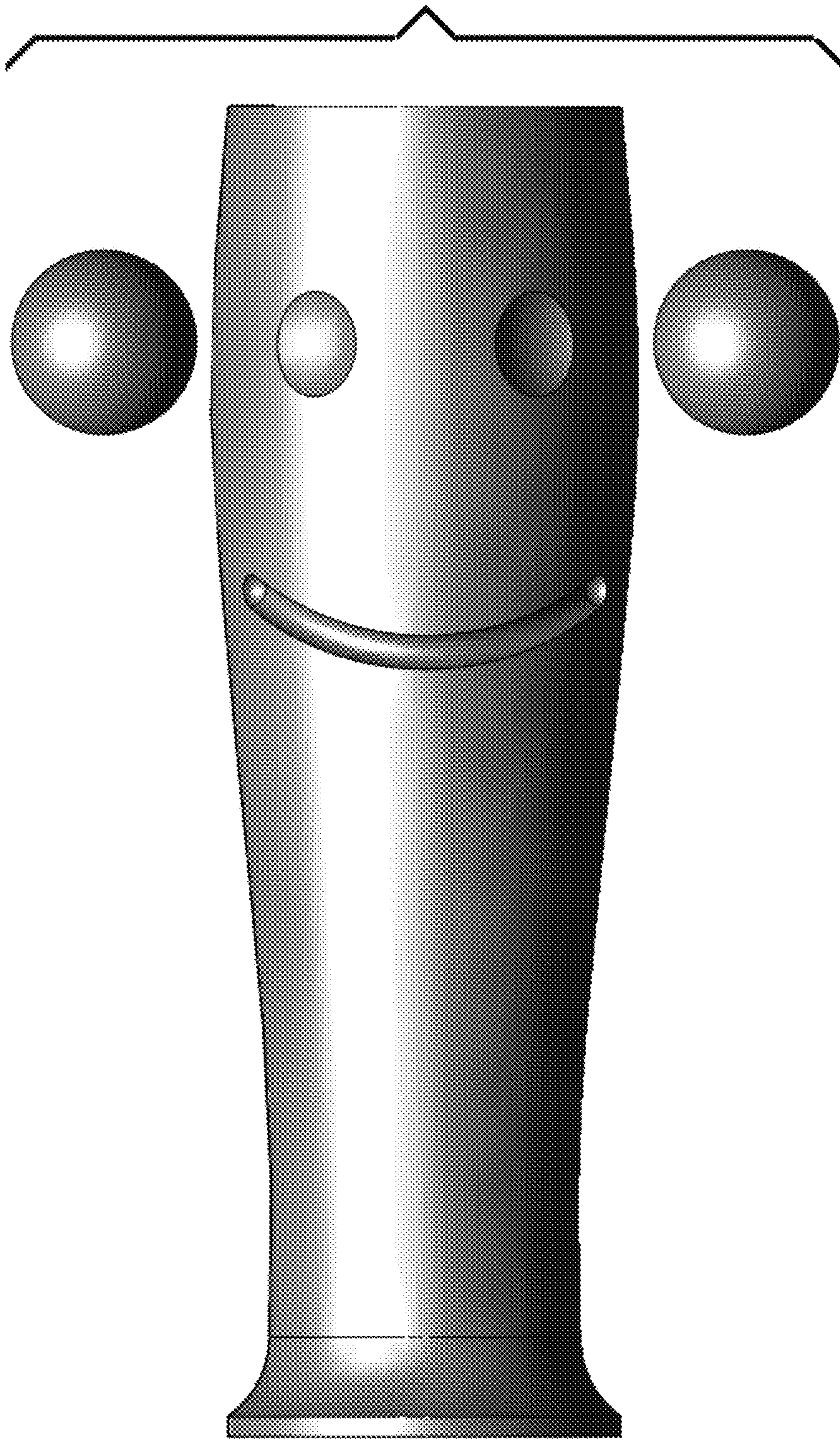


FIG. 2

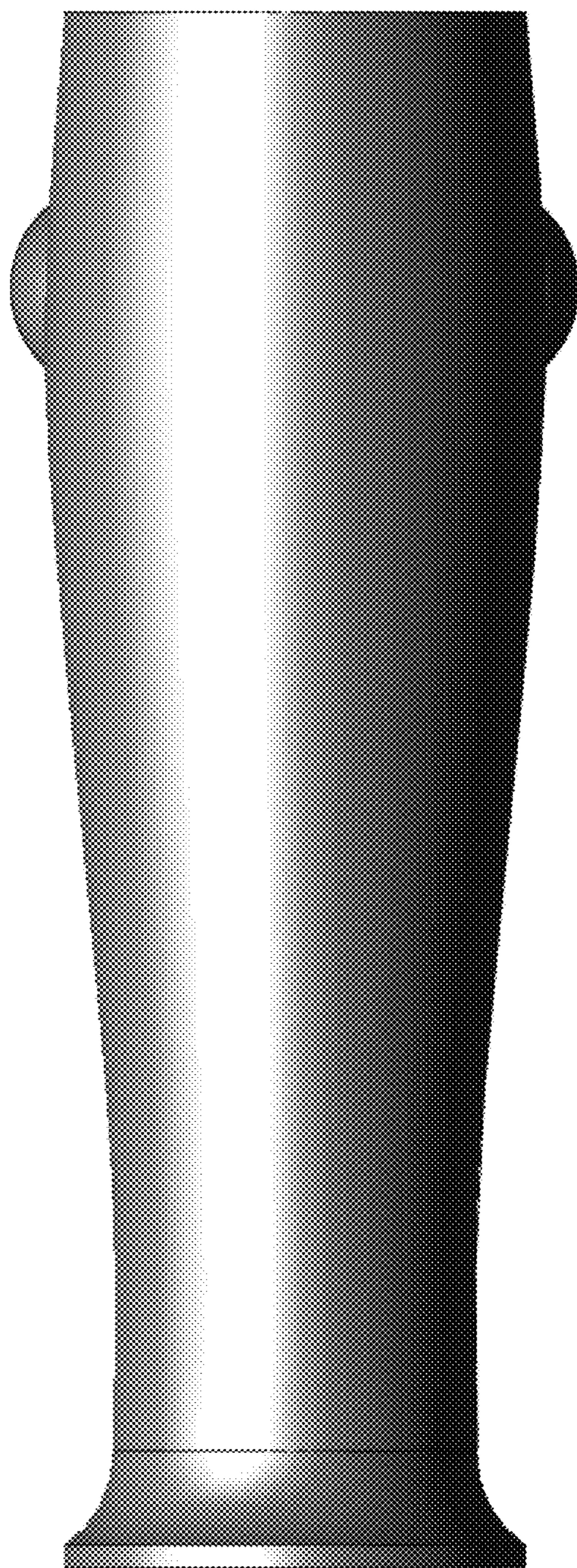


FIG. 3

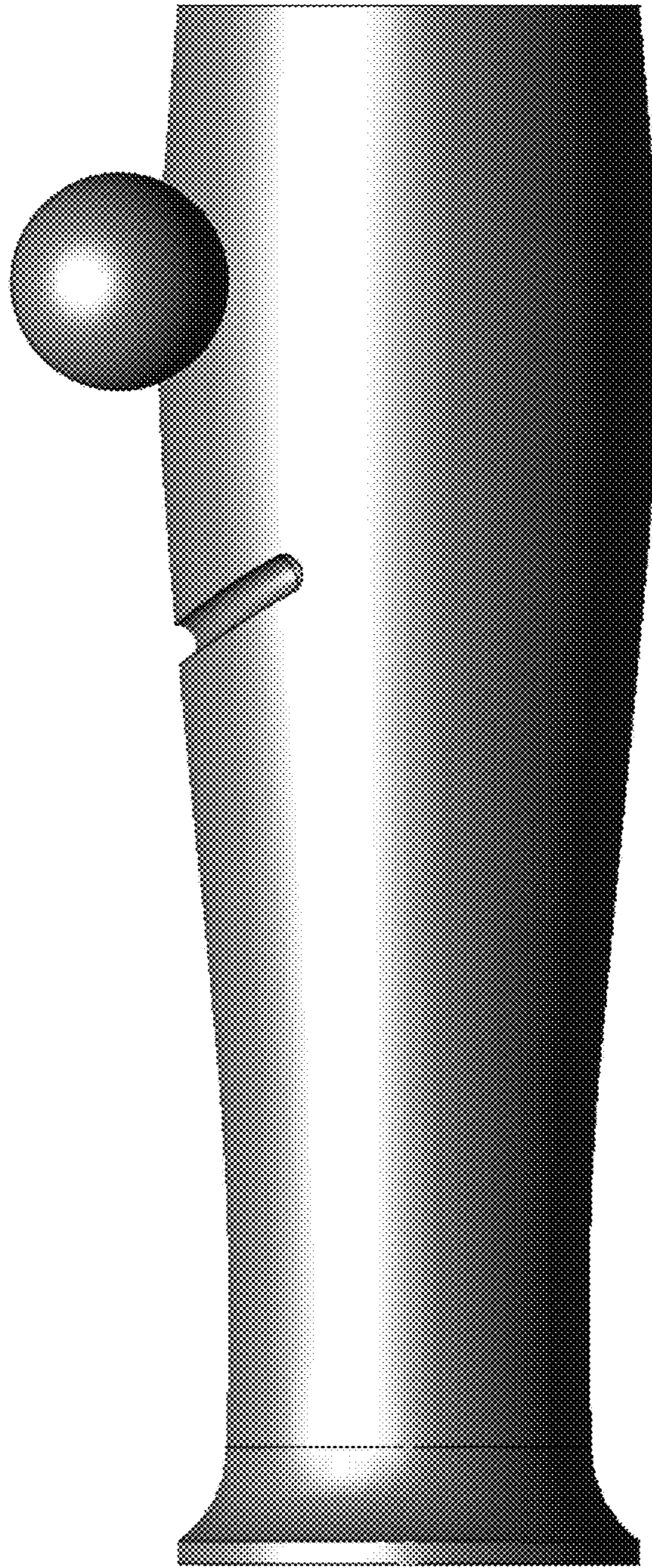


FIG. 4

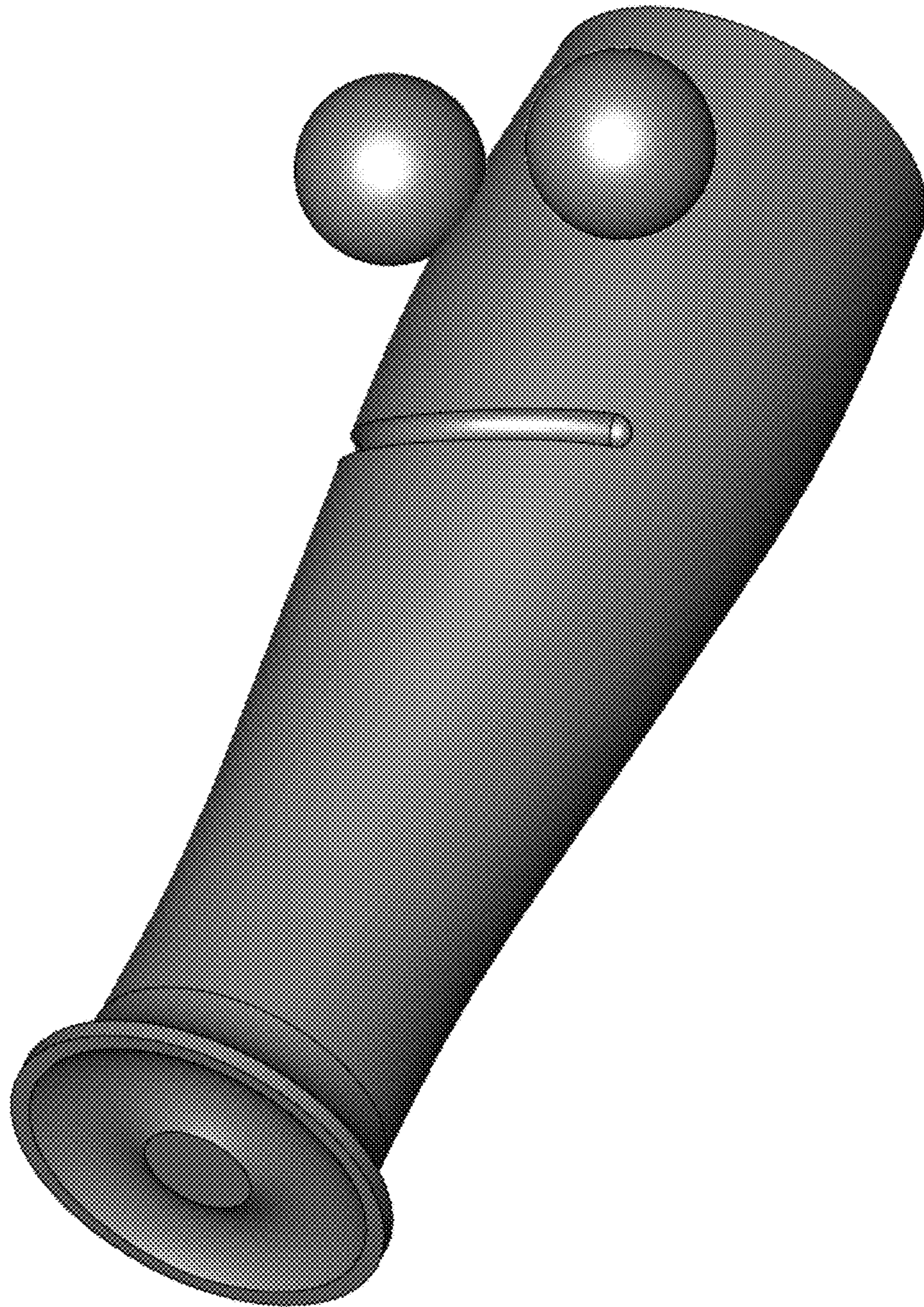


FIG. 5