



US00D867470S

(12) **United States Design Patent** (10) **Patent No.:** **US D867,470 S**  
**Haley** (45) **Date of Patent:** **\*\* Nov. 19, 2019**

- (54) **QUADCOPTER**
- (71) Applicant: **HORIZON HOBBY, LLC**,  
Champaign, IL (US)
- (72) Inventor: **James Haley**, Champaign, IL (US)
- (73) Assignee: **Horizon Hobby, LLC**, Champaign, IL  
(US)

- D776,569 S \* 1/2017 Baruchin ..... D12/16.1
- D776,570 S \* 1/2017 Baruchin ..... D12/16.1
- 9,632,509 B1 \* 4/2017 Aphek ..... B64C 39/024
- D787,372 S \* 5/2017 Ketcher ..... D12/16.1
- D789,248 S \* 6/2017 Ketcher ..... D12/16.1
- D796,414 S \* 9/2017 Fenny ..... D12/328
- D797,859 S \* 9/2017 Caubel ..... D21/441
- D798,961 S \* 10/2017 Li ..... D21/441
- D800,016 S \* 10/2017 Huang ..... D12/16.1
- D808,301 S \* 1/2018 Goldy ..... D12/16.1

(Continued)

(\*\*) Term: **15 Years**

(21) Appl. No.: **29/628,087**

(22) Filed: **Dec. 1, 2017**

(51) **LOC (12) Cl.** ..... **21-01**

(52) **U.S. Cl.**  
USPC ..... **D21/436**; D12/16.1; D12/328

(58) **Field of Classification Search**  
USPC ..... D12/16.1, 319-345; D21/436, 438, 441,  
D21/442, 443, 444, 447, 448, 449, 450,  
D21/451, 452, 454  
CPC ... B64C 29/00; B64C 2201/141; B64C 27/24;  
B64C 27/30; B64C 39/04

See application file for complete search history.

(56) **References Cited**

U.S. PATENT DOCUMENTS

- D189,462 S \* 12/1960 Vogt ..... D12/329
- 7,407,424 B2 \* 8/2008 Choi ..... G01S 5/26  
446/175
- D648,809 S \* 11/2011 Seydoux ..... D21/441
- D659,771 S \* 5/2012 Seydoux ..... D21/441
- D708,272 S \* 7/2014 Schmelter ..... D12/16.1
- 9,051,043 B1 \* 6/2015 Peeters ..... B64C 19/00
- D741,751 S \* 10/2015 Klaptoz ..... D12/16.1
- D745,435 S \* 12/2015 Park ..... D12/16.1
- D747,775 S \* 1/2016 Colin ..... D12/16.1
- D751,025 S \* 3/2016 Howell ..... D12/16.1
- D756,842 S \* 5/2016 Ashjaee ..... D12/16.1
- D761,690 S \* 7/2016 Friesmuth ..... D12/16.1
- D767,043 S \* 9/2016 Morrison ..... D12/16.1

OTHER PUBLICATIONS

Blade Torrent YouTube. by Crash N Burn Racing. dated May 14, 2017. found online [Dec. 15, 2018] <https://www.youtube.com/watch?v=5OjMfh-vC3Q>.\*

(Continued)

*Primary Examiner* — Marissa J Cash

(74) *Attorney, Agent, or Firm* — Baker Botts LLP

(57) **CLAIM**

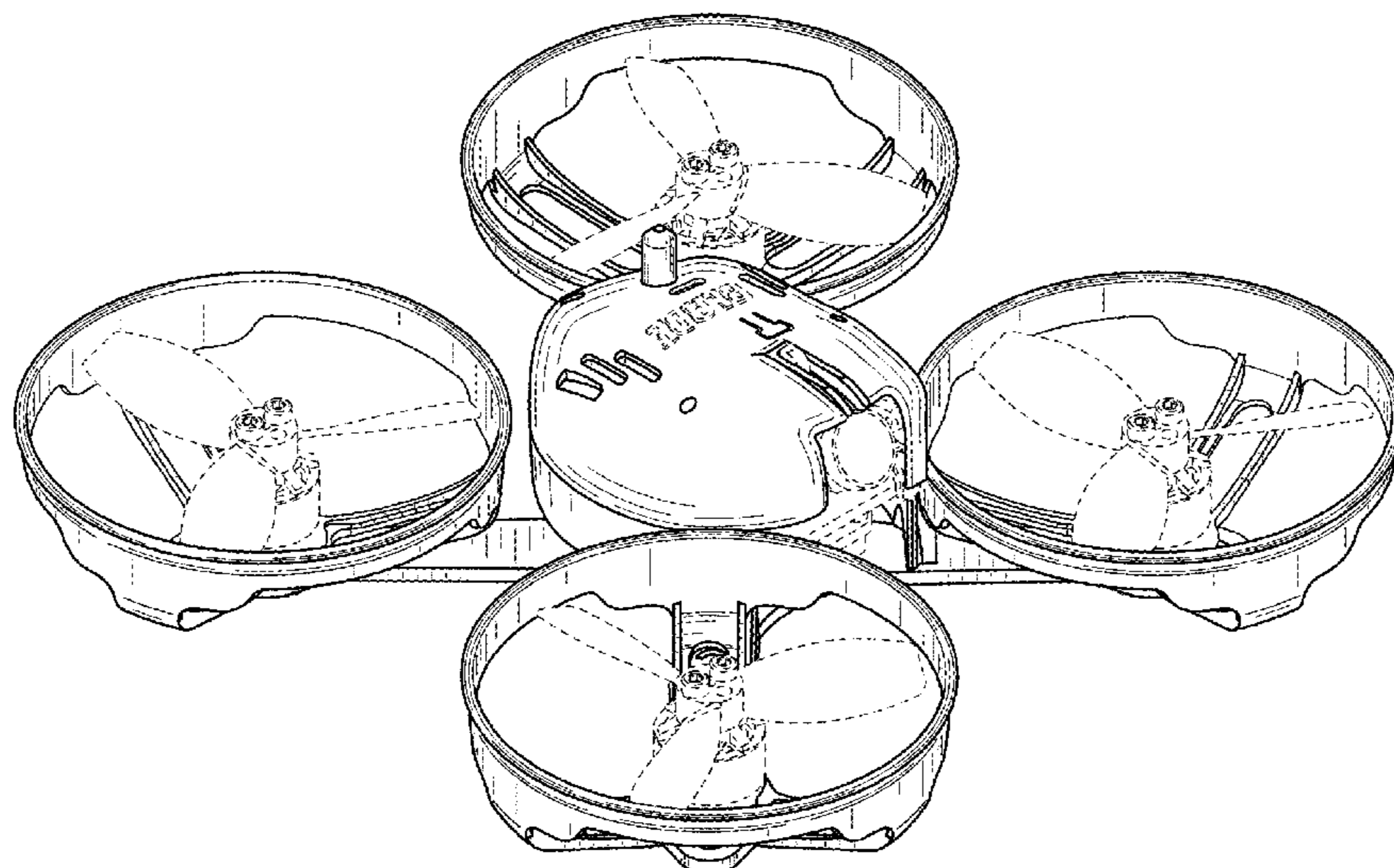
The ornamental design for a quadcopter, as shown and described.

**DESCRIPTION**

FIG. 1 is a perspective view of a quadcopter, according to an embodiment of my new design;  
FIG. 2 is a front view thereof;  
FIG. 3 is a rear view thereof;  
FIG. 4 is a right side view thereof;  
FIG. 5 is a left side view thereof;  
FIG. 6 is a top view thereof;  
FIG. 7 is a bottom view thereof; and,  
FIG. 8 is a perspective view thereof.

The broken lines immediately adjacent shaded surfaces represent boundaries of the claim and form no part thereof; all other broken lines illustrate portions of the quadcopter that form no part of the claimed design.

**1 Claim, 6 Drawing Sheets**



(56)

References Cited

U.S. PATENT DOCUMENTS

D808,329 S \* 1/2018 Parks ..... D12/328  
 D816,581 S \* 5/2018 Zhao ..... D12/328  
 D816,583 S \* 5/2018 Dutertre ..... D12/328  
 10,023,323 B1 \* 7/2018 Roberts ..... B64D 43/00  
 10,023,326 B2 \* 7/2018 Byers ..... B64C 39/024  
 D825,380 S \* 8/2018 Tompkin ..... D12/16.1  
 10,040,544 B2 \* 8/2018 Marcel ..... B64C 27/08  
 2007/0105474 A1 \* 5/2007 Gotou ..... A63H 27/02  
 446/37  
 2008/0048065 A1 \* 2/2008 Kuntz ..... A63H 17/00  
 244/17.23  
 2011/0221692 A1 \* 9/2011 Seydoux ..... A63H 27/12  
 345/173  
 2012/0241555 A1 \* 9/2012 Savoye ..... A63H 27/12  
 244/54  
 2015/0057844 A1 \* 2/2015 Callou ..... G05D 1/0204  
 701/3  
 2015/0149000 A1 \* 5/2015 Rischmuller ..... B64C 39/024  
 701/7  
 2015/0331427 A1 \* 11/2015 Chaudary ..... B64C 39/024  
 244/17.13

2016/0068261 A1 \* 3/2016 Niederberger ..... B64C 39/024  
 244/2  
 2016/0272312 A1 \* 9/2016 Mallard ..... B64C 29/0033  
 2016/0332851 A1 \* 11/2016 Bialkowski ..... B64C 39/024  
 2017/0073070 A1 \* 3/2017 Xing ..... B64C 39/024  
 2017/0113816 A1 \* 4/2017 High ..... B64C 39/022  
 2017/0197731 A1 \* 7/2017 Yang ..... B64F 1/04  
 2017/0274983 A1 \* 9/2017 Beckman ..... B64C 11/48  
 2017/0277187 A1 \* 9/2017 Refai ..... G06T 7/30  
 2017/0291700 A1 \* 10/2017 Mohyi ..... B64C 27/20  
 2017/0293884 A1 \* 10/2017 Cheatham, III ... G06Q 10/0835  
 2017/0341776 A1 \* 11/2017 McClure ..... B64D 47/08  
 2018/0029704 A1 \* 2/2018 Milani ..... B64C 29/0033  
 2018/0037317 A1 \* 2/2018 Ichihara ..... B64C 27/08  
 2018/0072428 A1 \* 3/2018 Adachi ..... B64C 39/02  
 2018/0208070 A1 \* 7/2018 Sanchez ..... B60L 11/1824  
 2018/0217614 A1 \* 8/2018 Salas-Moreno ..... B64C 39/024

OTHER PUBLICATIONS

Blade Torrent Report. by FPV Report. dated Mar. 16, 2017. found online [Dec. 15, 2018] <https://www.fpv-report.com/2017/03/torrent-110-fpv-blade-rc/>.\*

\* cited by examiner

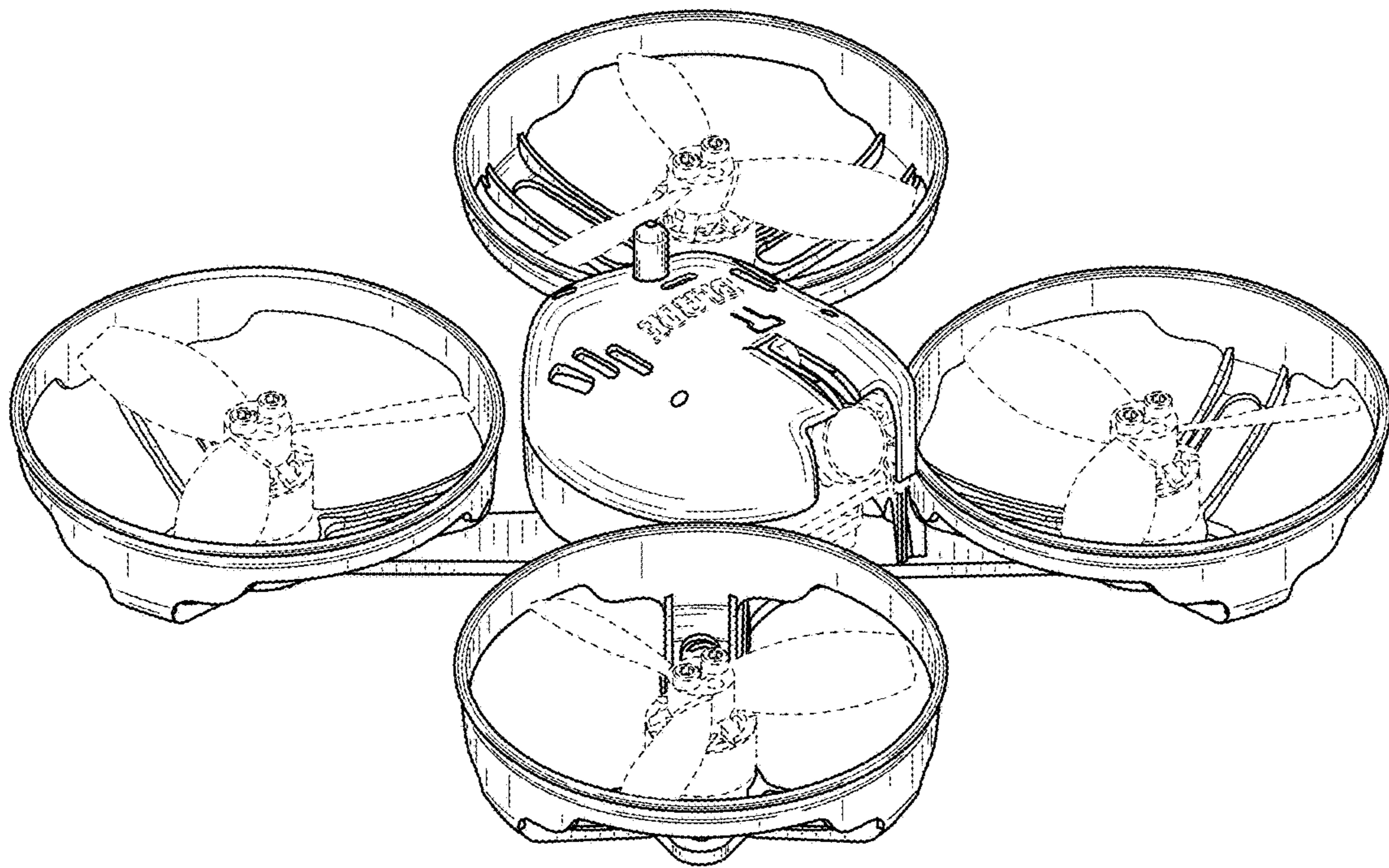


FIG. 1



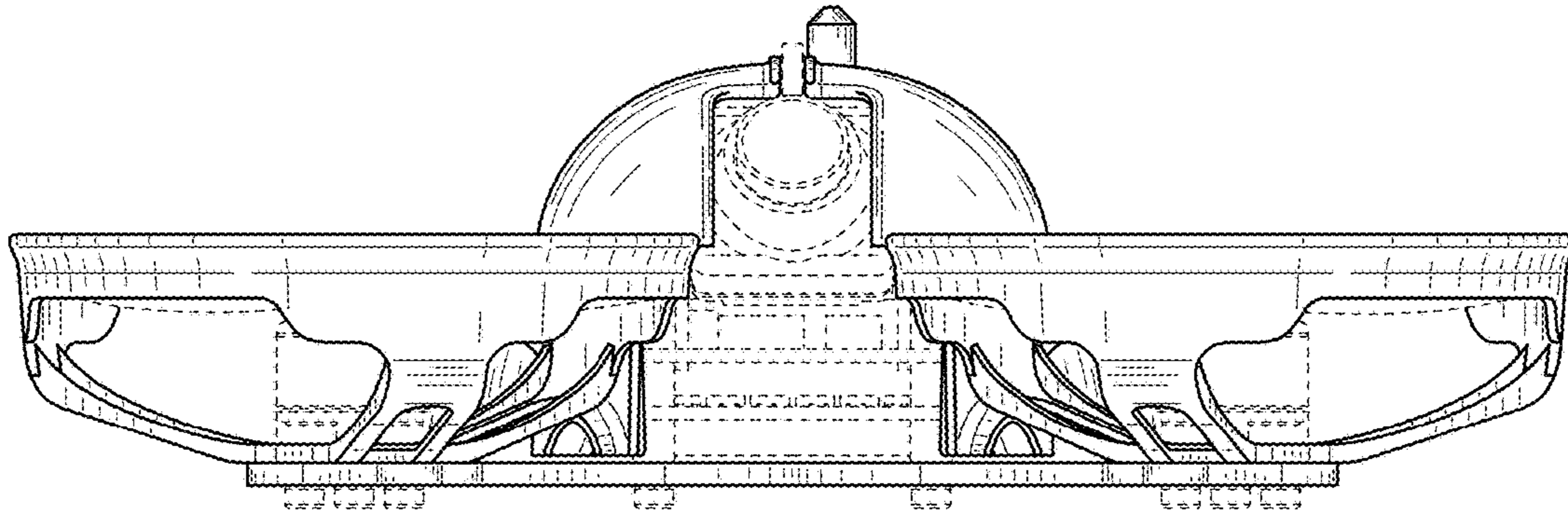


FIG. 2

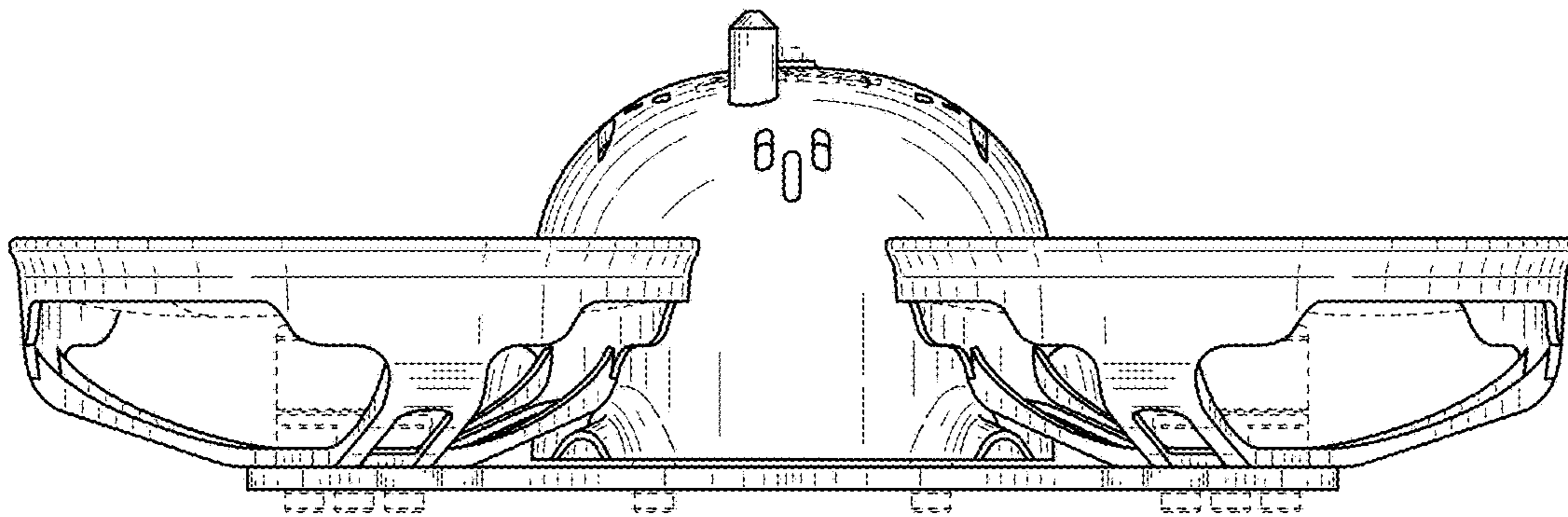


FIG. 3

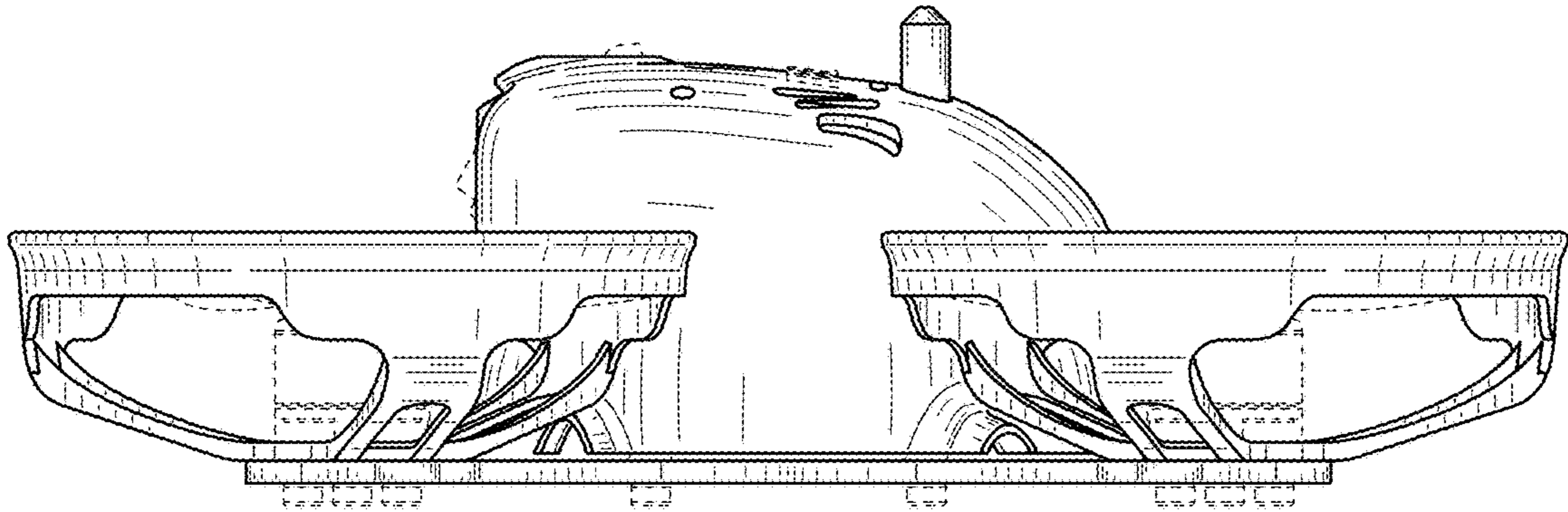


FIG. 4

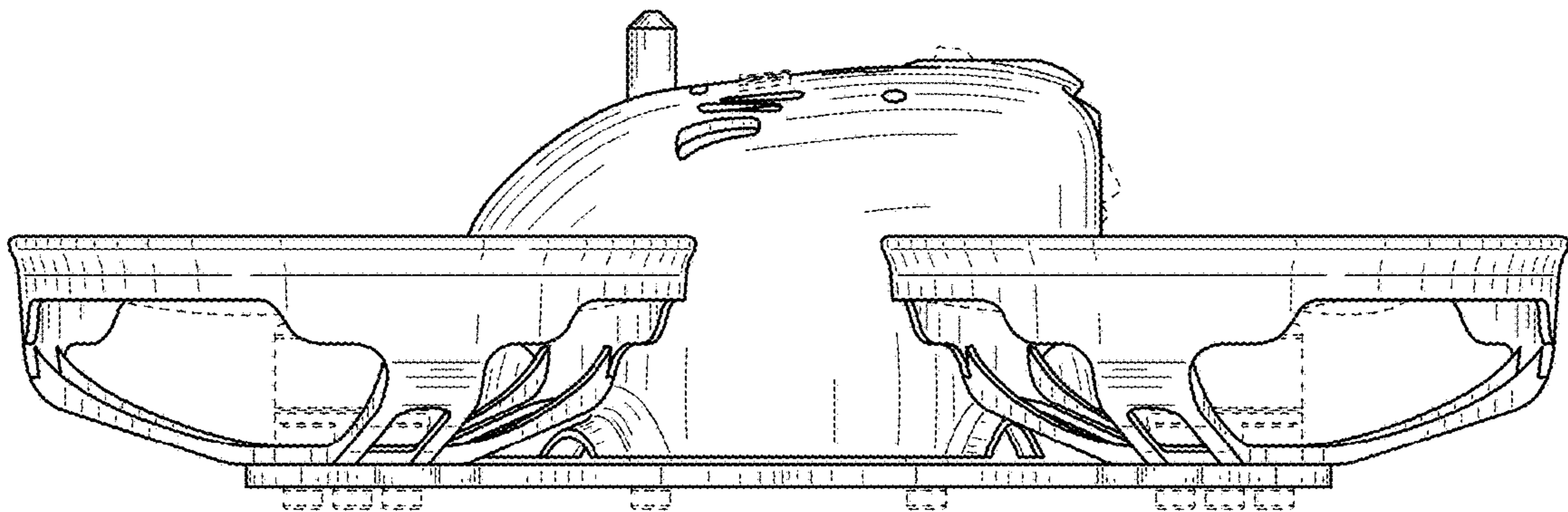


FIG. 5

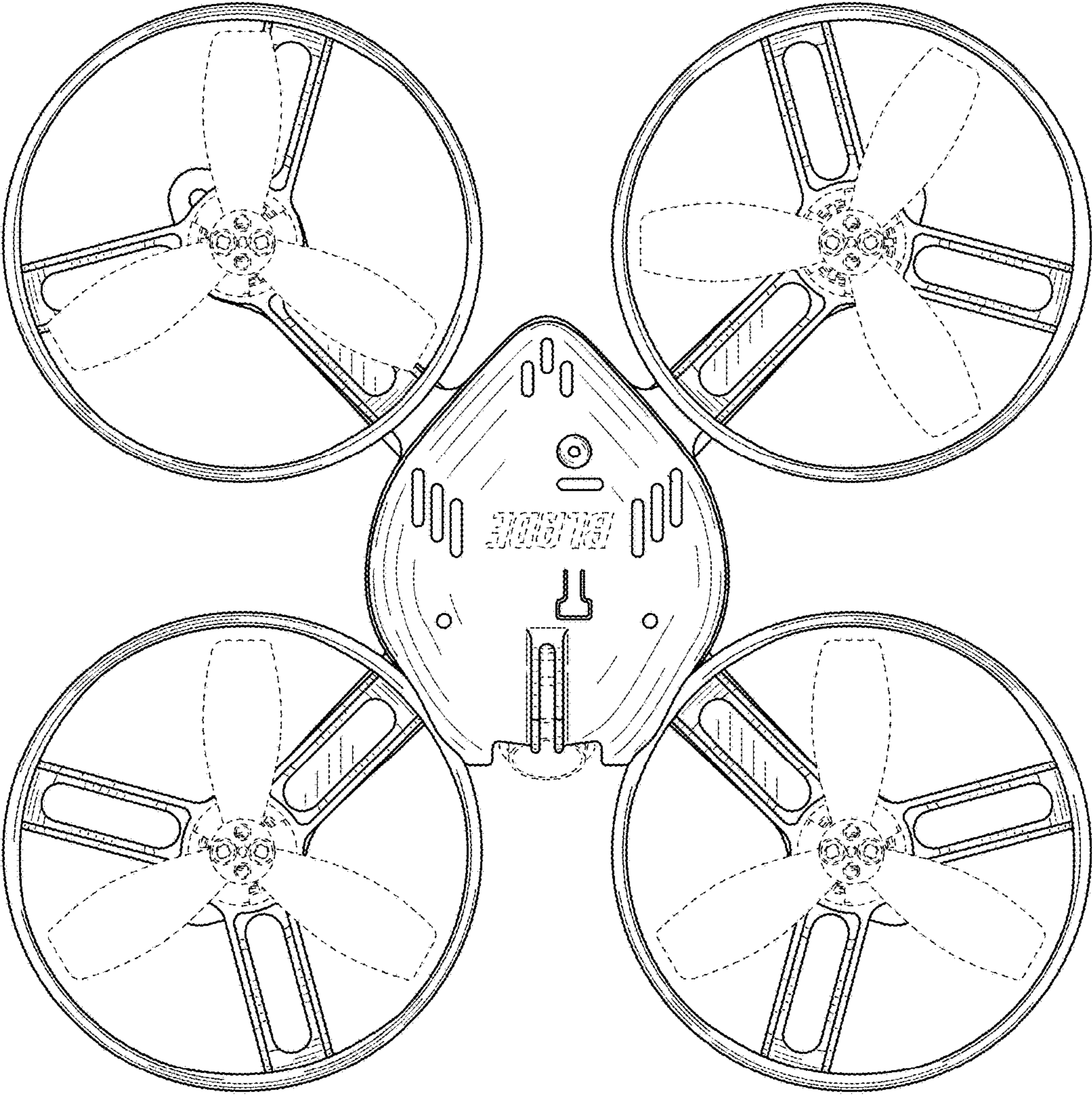


FIG. 6



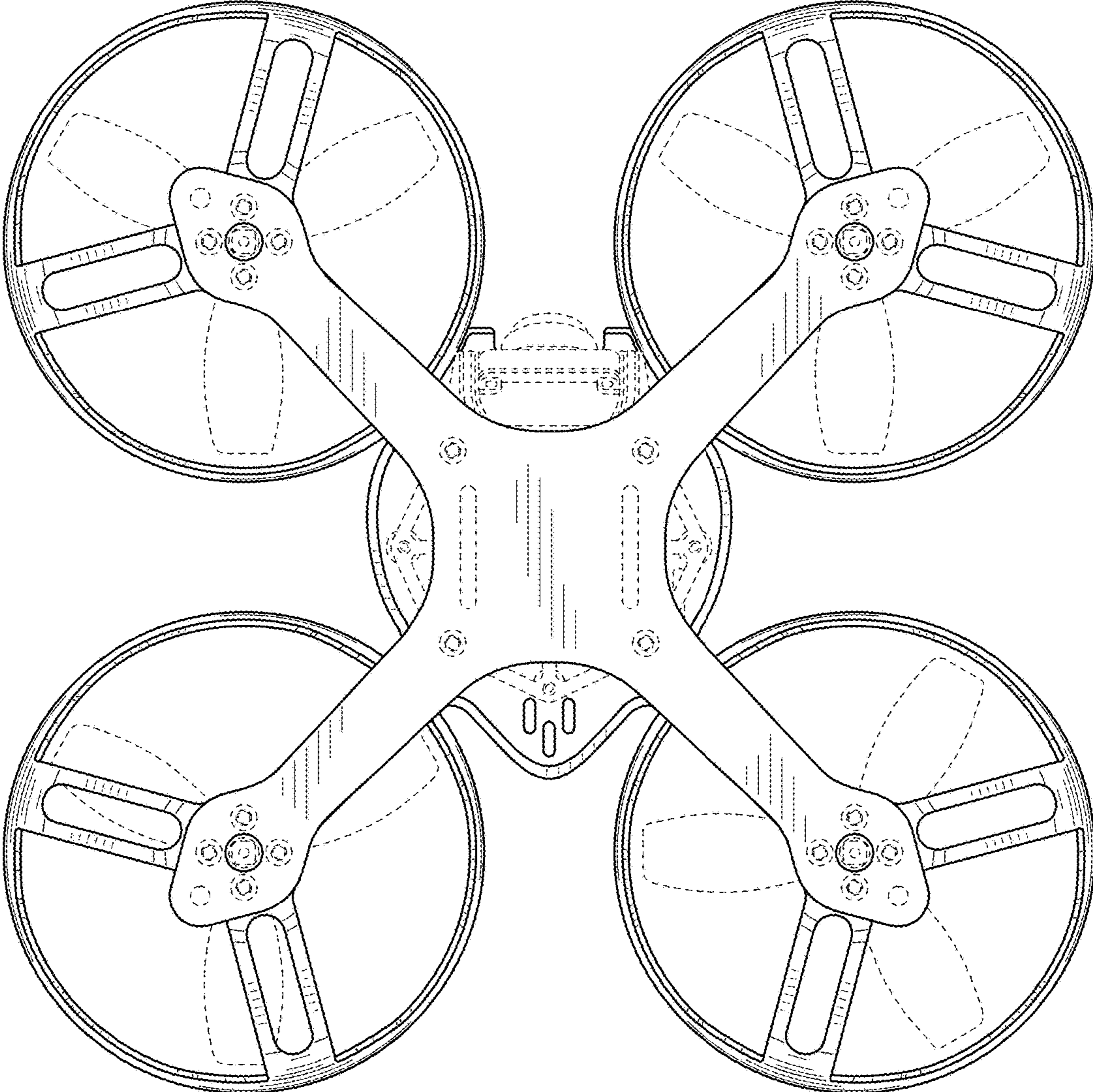


FIG. 7

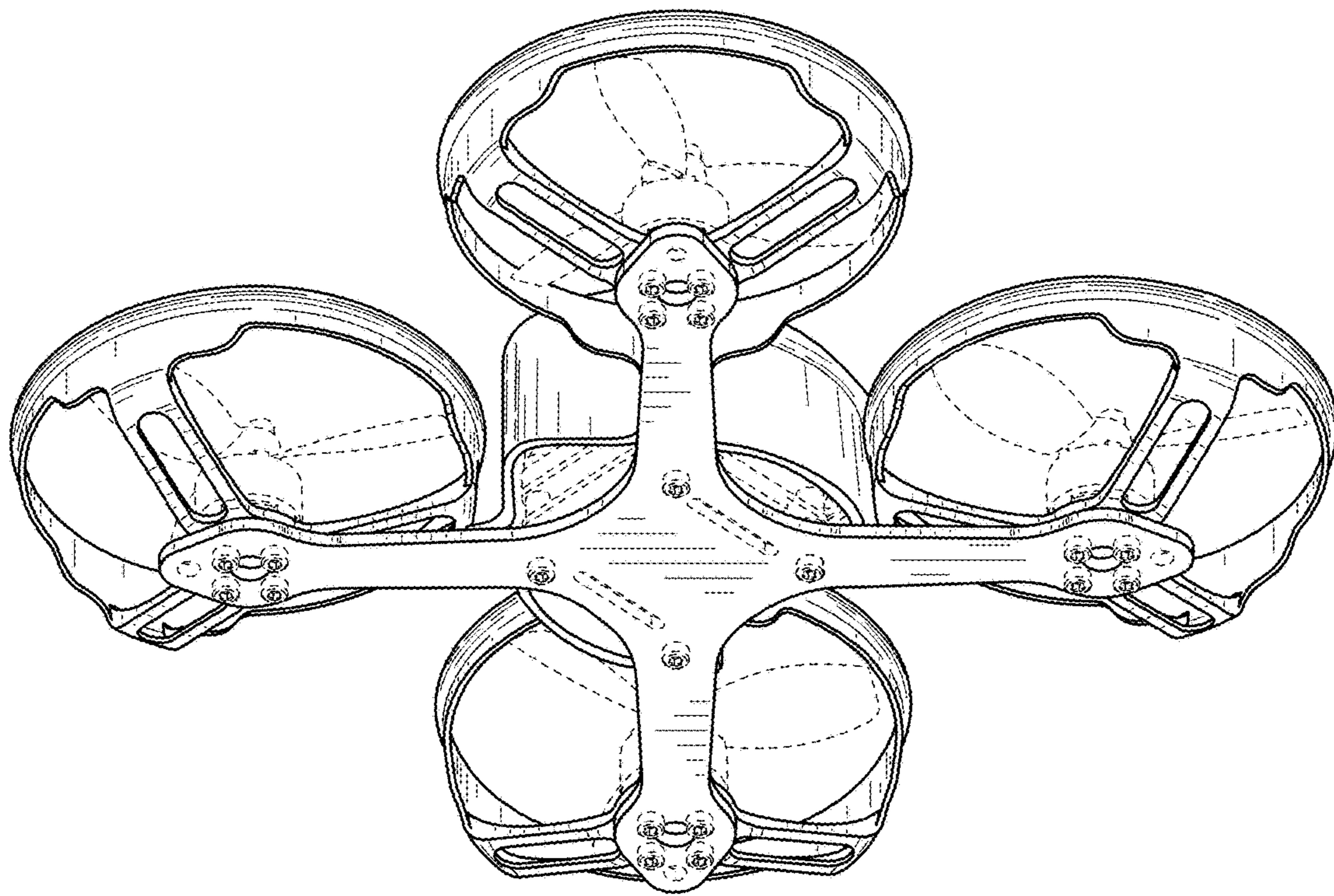


FIG. 8