



US00D867468S

(12) **United States Design Patent** (10) **Patent No.:** **US D867,468 S**  
**Knowlton et al.** (45) **Date of Patent:** **\*\* Nov. 19, 2019**

(54) **RATTLE**  
(71) Applicant: **Skip Hop, Inc.**, New York, NY (US)  
(72) Inventors: **Erin Knowlton**, Brooklyn, NY (US);  
**Hui Jin**, New York, NY (US); **Adlin Aslan**, New York, NY (US)  
(73) Assignee: **SKIP HOP, INC.**, New York, NY (US)  
(\*\*) Term: **15 Years**  
(21) Appl. No.: **29/648,351**  
(22) Filed: **May 21, 2018**  
(51) **LOC (12) Cl.** ..... **21-01**  
(52) **U.S. Cl.**  
USPC ..... **D21/408**; D21/406  
(58) **Field of Classification Search**  
USPC ..... D21/398, 405–408, 465, 467, 468, 475,  
D21/476, 490, 493; D24/193–195;  
D30/160; 606/234–236; 446/26–28, 219,  
446/227, 267, 418, 419, 421, 486, 487,  
446/489, 490  
CPC ..... A63H 33/006; A63H 33/18; A63H 33/40;  
A63H 33/42; A63H 5/00; A61J 17/00;  
A61J 17/001; A61J 17/002; A61J 17/005;  
A61J 17/007; A61J 17/02; A01K 15/025;  
A01K 15/026  
See application file for complete search history.

(56) **References Cited**  
U.S. PATENT DOCUMENTS  
D60,947 S \* 5/1922 Patrich ..... D24/194  
D265,666 S \* 8/1982 Nakao ..... D19/59  
D287,377 S \* 12/1986 Grubb ..... D21/408  
D290,655 S \* 6/1987 Thomson ..... D21/408  
D314,621 S \* 2/1991 Bernstein ..... D21/408  
D329,260 S \* 9/1992 Williams ..... D21/406  
D339,196 S \* 9/1993 Spence, Jr. .... D24/195

D363,127 S \* 10/1995 Nakata ..... D24/194  
D364,227 S \* 11/1995 Kino ..... D24/194  
D371,441 S \* 7/1996 Nakata ..... D24/194  
D373,229 S \* 8/1996 O'Rourke ..... D30/160  
D373,450 S \* 9/1996 O'Rourke ..... D30/160  
D403,072 S \* 12/1998 Rogers Huante ..... D24/194  
D421,185 S \* 2/2000 Remme ..... D24/194  
6,447,536 B1 \* 9/2002 Hinshaw ..... A61J 17/02  
606/235  
D569,003 S \* 5/2008 Roehrig ..... D24/194  
D658,773 S \* 5/2012 Chin ..... D24/194  
D662,210 S \* 6/2012 Rhodes, II ..... D24/194  
D768,303 S \* 10/2016 Pauschitz ..... D24/195  
2001/0003695 A1 \* 6/2001 Tell ..... A63H 33/006  
446/227

(Continued)

**FOREIGN PATENT DOCUMENTS**

CA 2508210 A1 \* 7/2004 ..... A61J 17/02  
CN 301948992 \* 6/2012

(Continued)

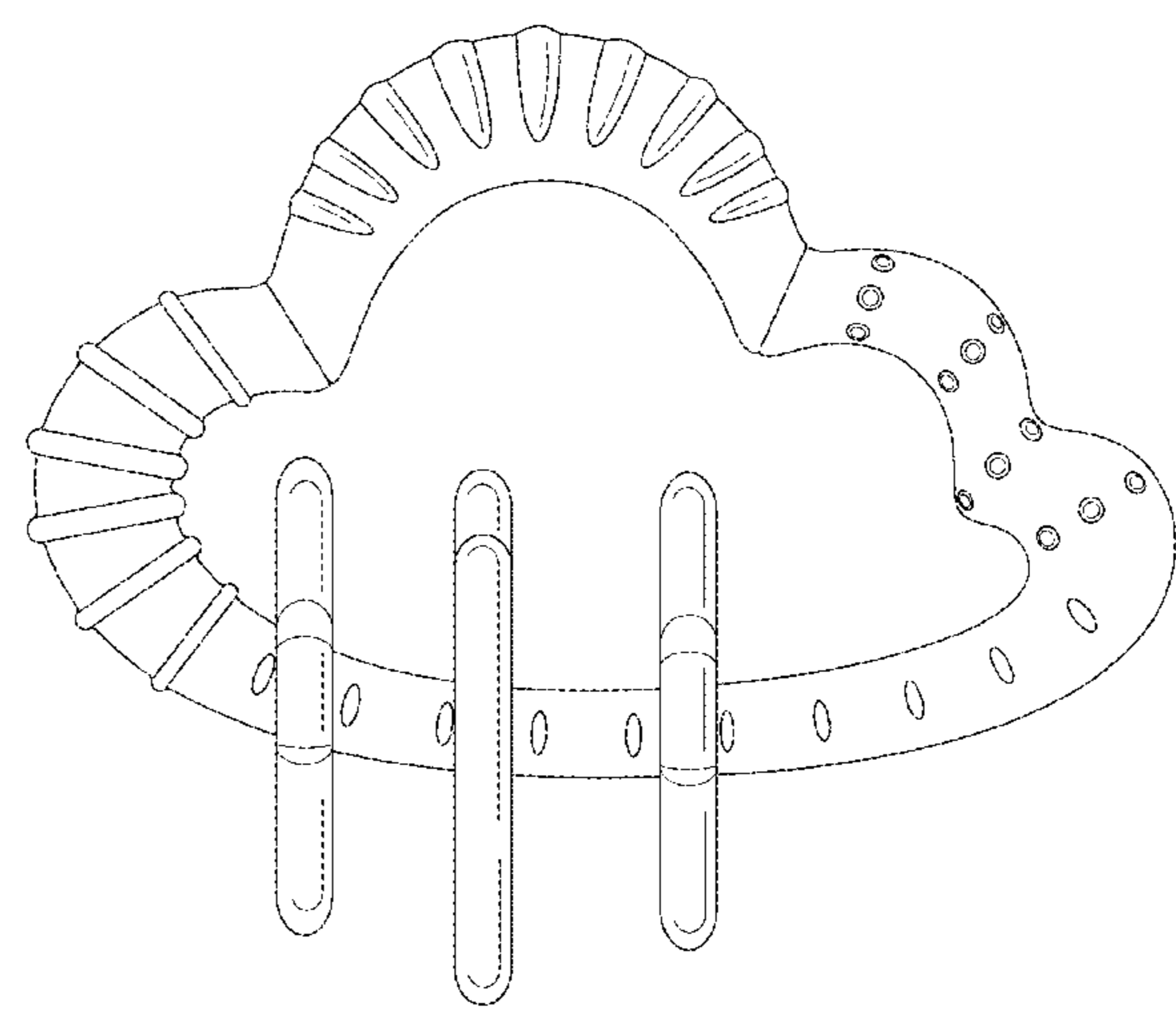
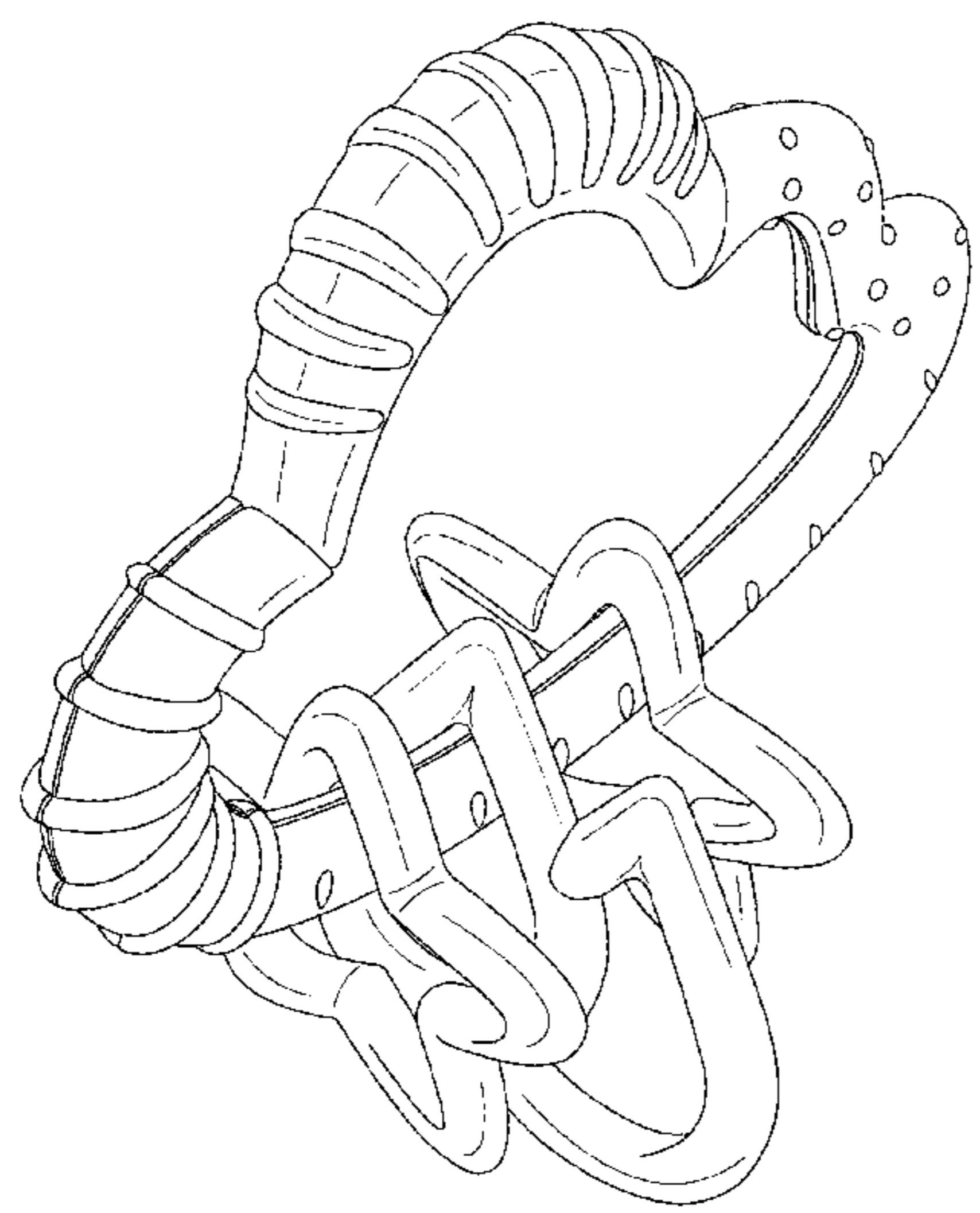
*Primary Examiner* — Catherine A Tuttle  
(74) *Attorney, Agent, or Firm* — Stephen J. Weyer, Esq.;  
Stites & Harbison, PLLC

(57) **CLAIM**  
The ornamental design for a rattle, as shown and described.

**DESCRIPTION**

FIG. 1 is a top, front and left side perspective view of the rattle embodying our design.  
FIG. 2 is a left side view thereof  
FIG. 3 is a right side thereof.  
FIG. 4 is a front elevation view thereof.  
FIG. 5 is a rear view thereof.  
FIG. 6 is a top plan view thereof; and,  
FIG. 7 is a bottom plan view thereof.  
The dotted lines in FIG. 3 represent a feature of the rattle that forms no part of the claimed design.

**1 Claim, 7 Drawing Sheets**



(56)

**References Cited**

U.S. PATENT DOCUMENTS

2002/0077663 A1\* 6/2002 Hinshaw ..... A61J 17/02  
606/235  
2005/0004603 A1\* 1/2005 Desousa ..... A61J 17/02  
606/235  
2006/0032459 A1\* 2/2006 Jager ..... A01K 15/025  
119/707  
2009/0069848 A1\* 3/2009 Marcus ..... A61J 17/02  
606/235  
2017/0232355 A1\* 8/2017 Healy ..... A47D 3/001  
446/227

FOREIGN PATENT DOCUMENTS

CN 302589406 \* 9/2013  
CN 303070432 \* 1/2015  
CN 304315031 \* 10/2017  
WO WO-2010116638 A1 \* 10/2010 ..... A61J 17/02

\* cited by examiner

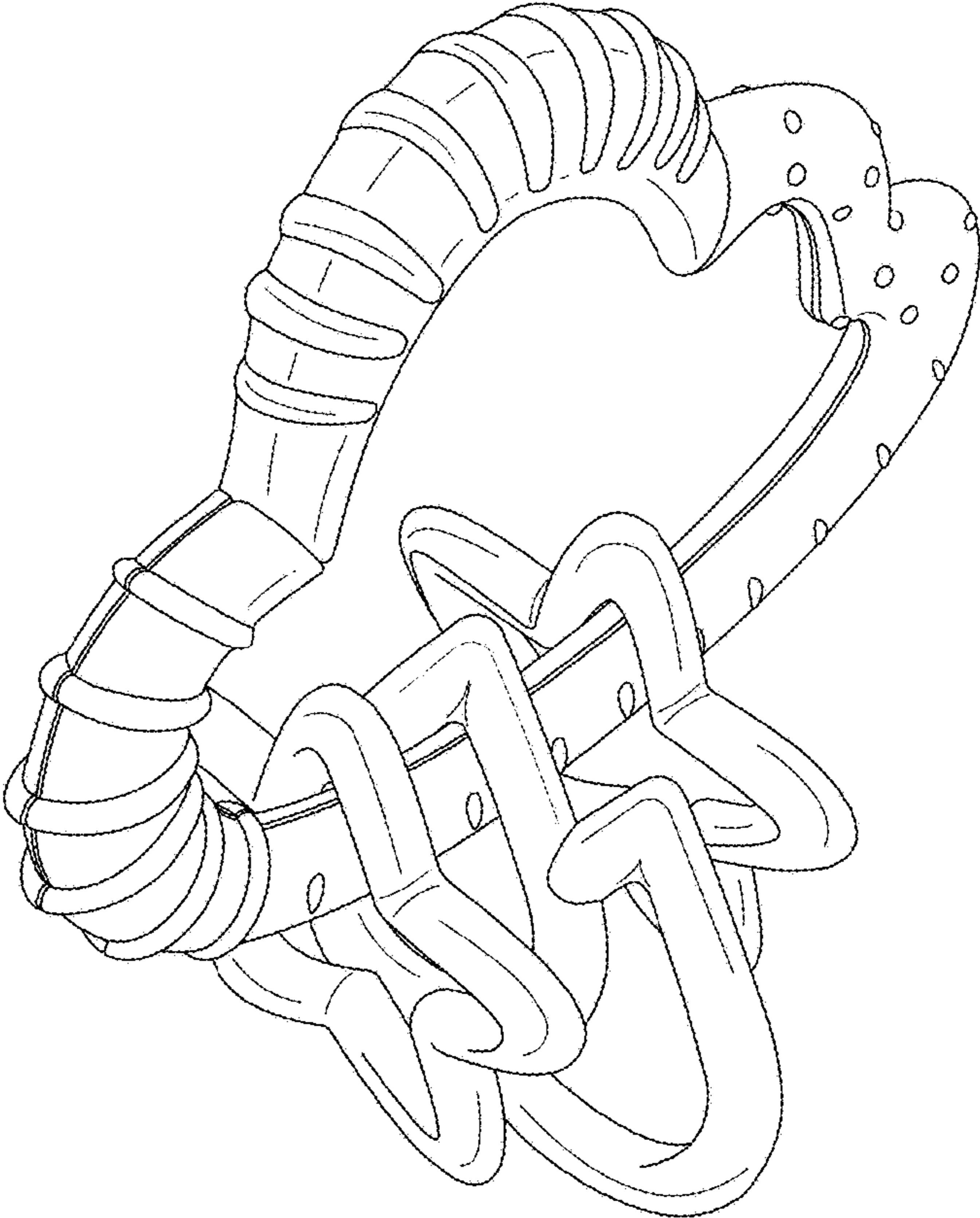


FIG. 1

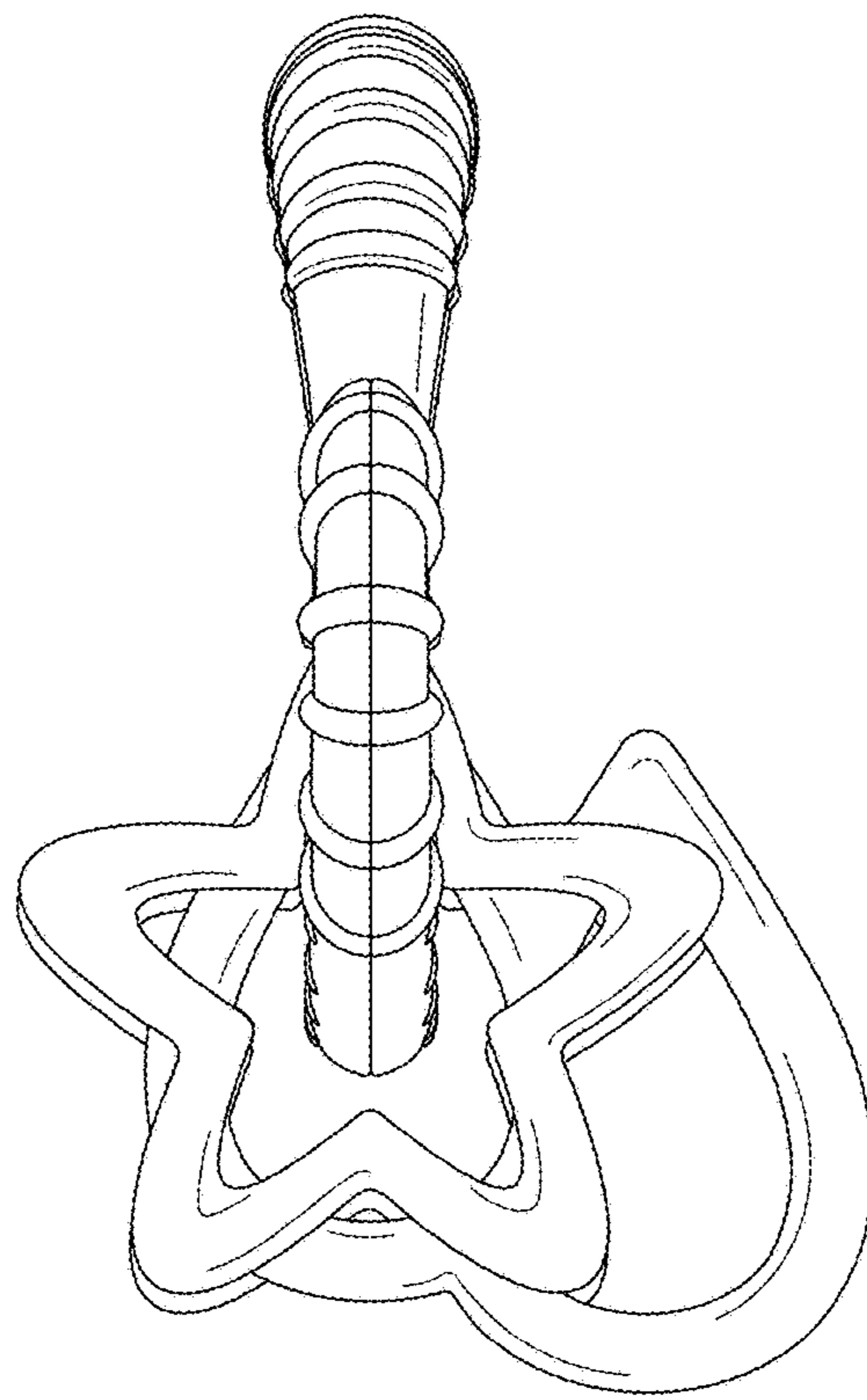


FIG. 2

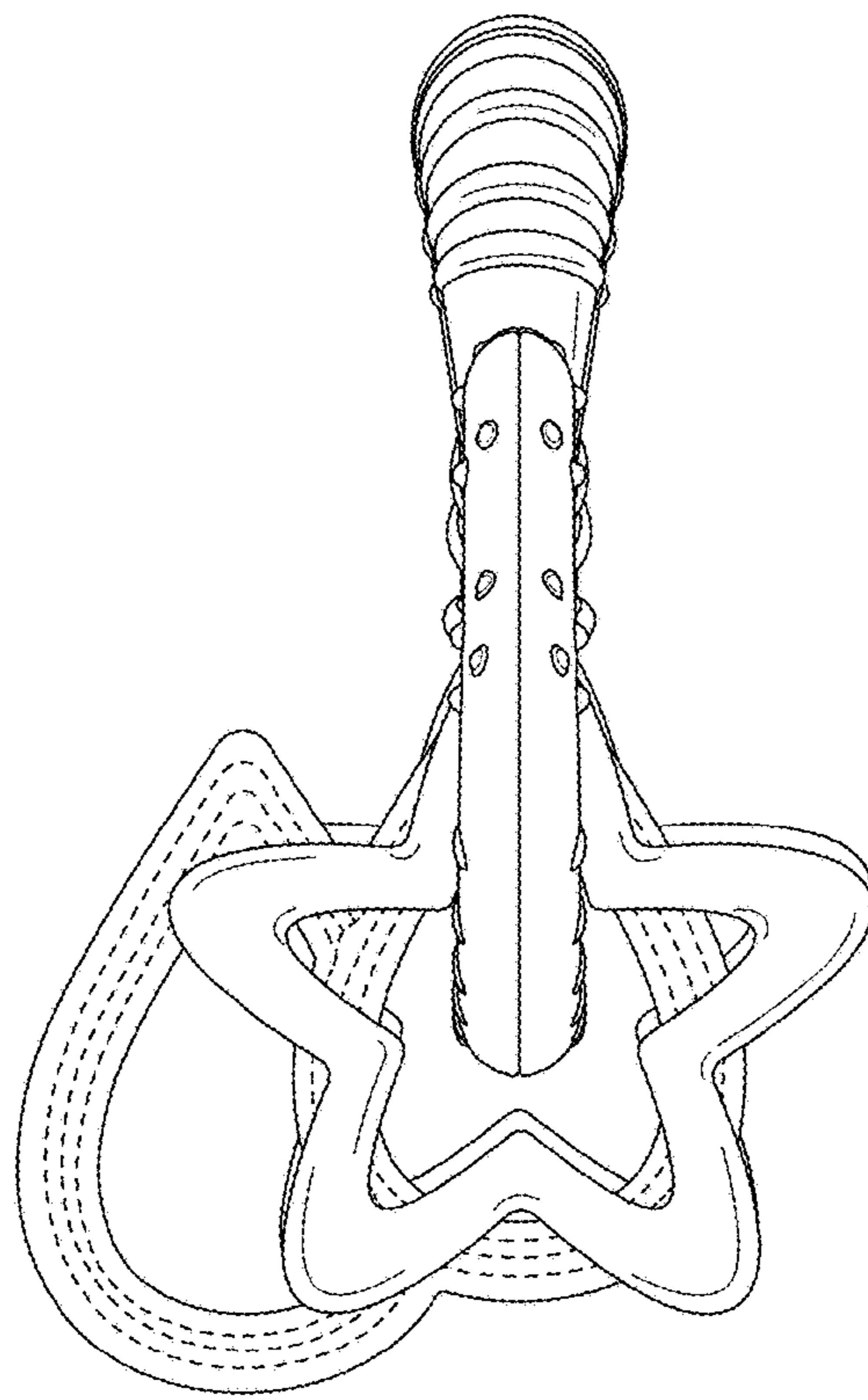


FIG. 3

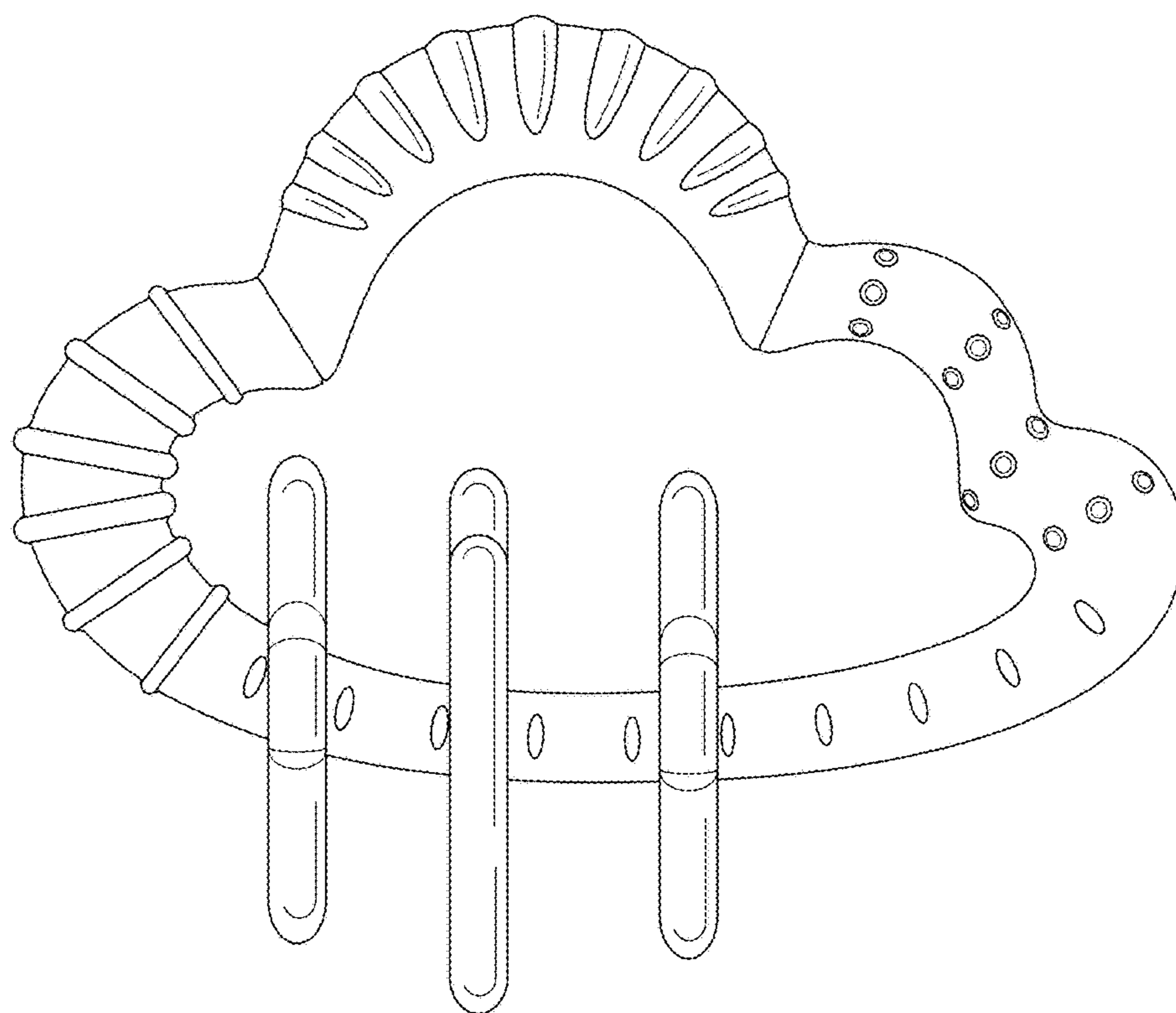


FIG. 4

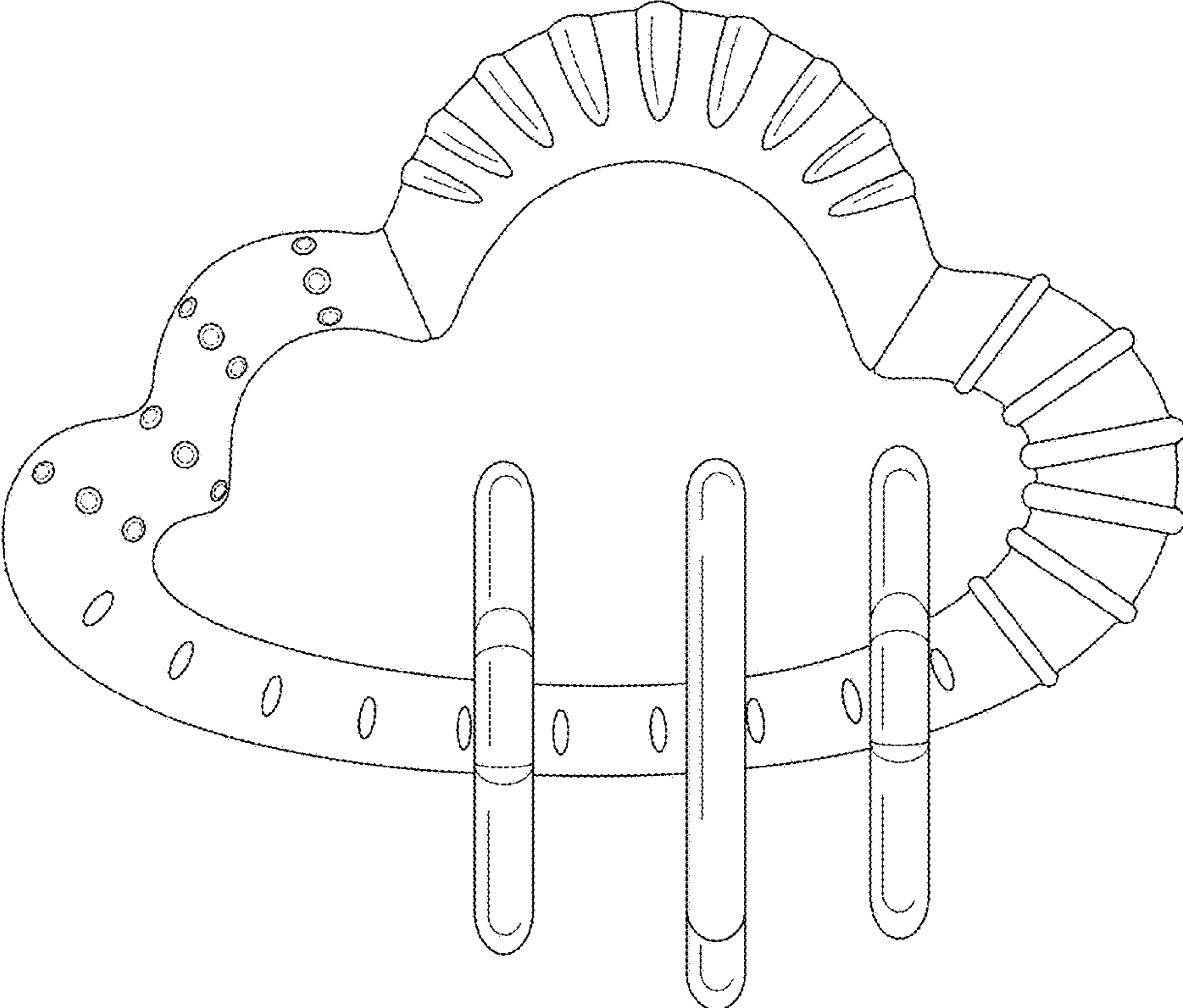


FIG. 5

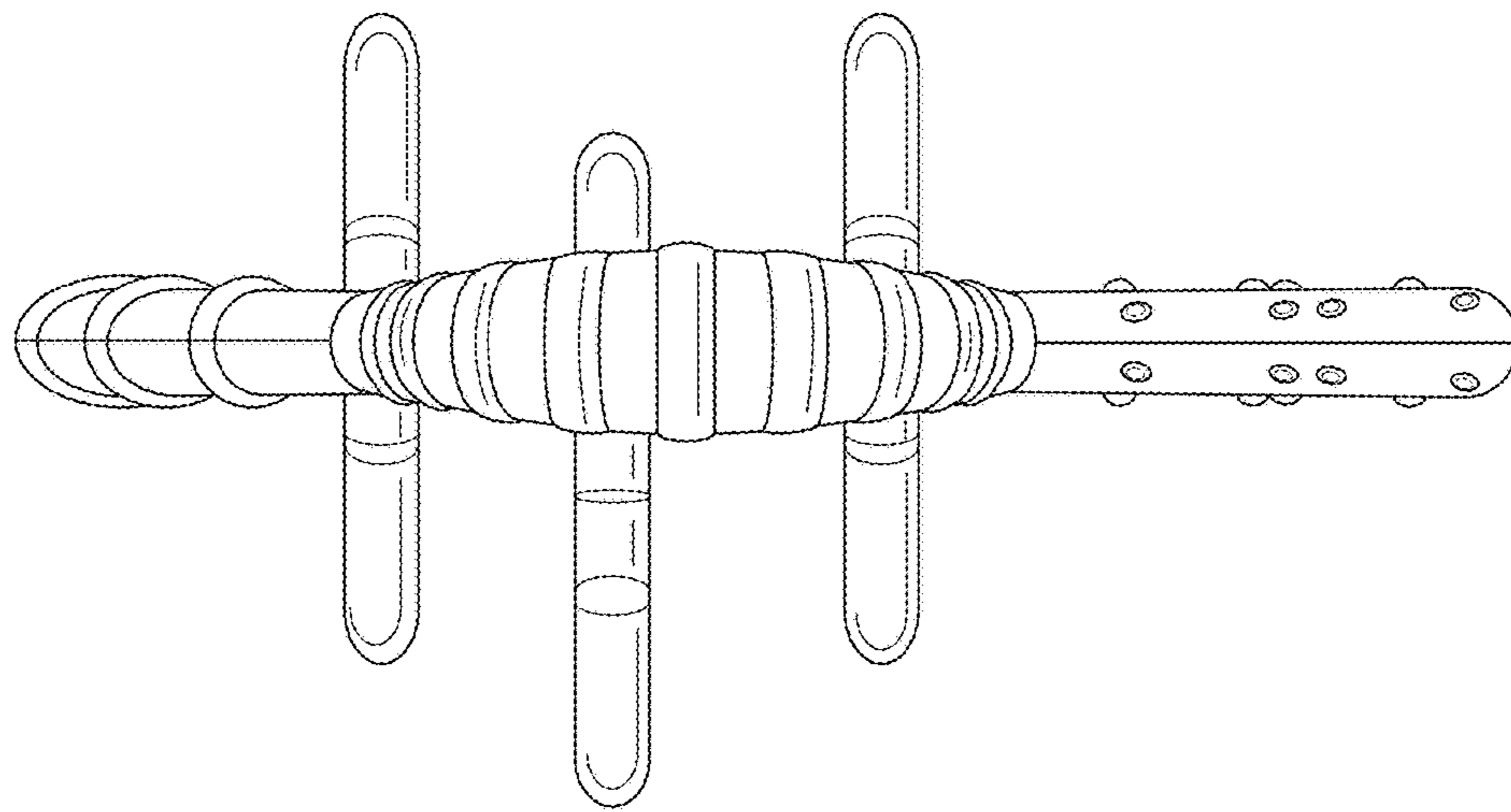


FIG. 6



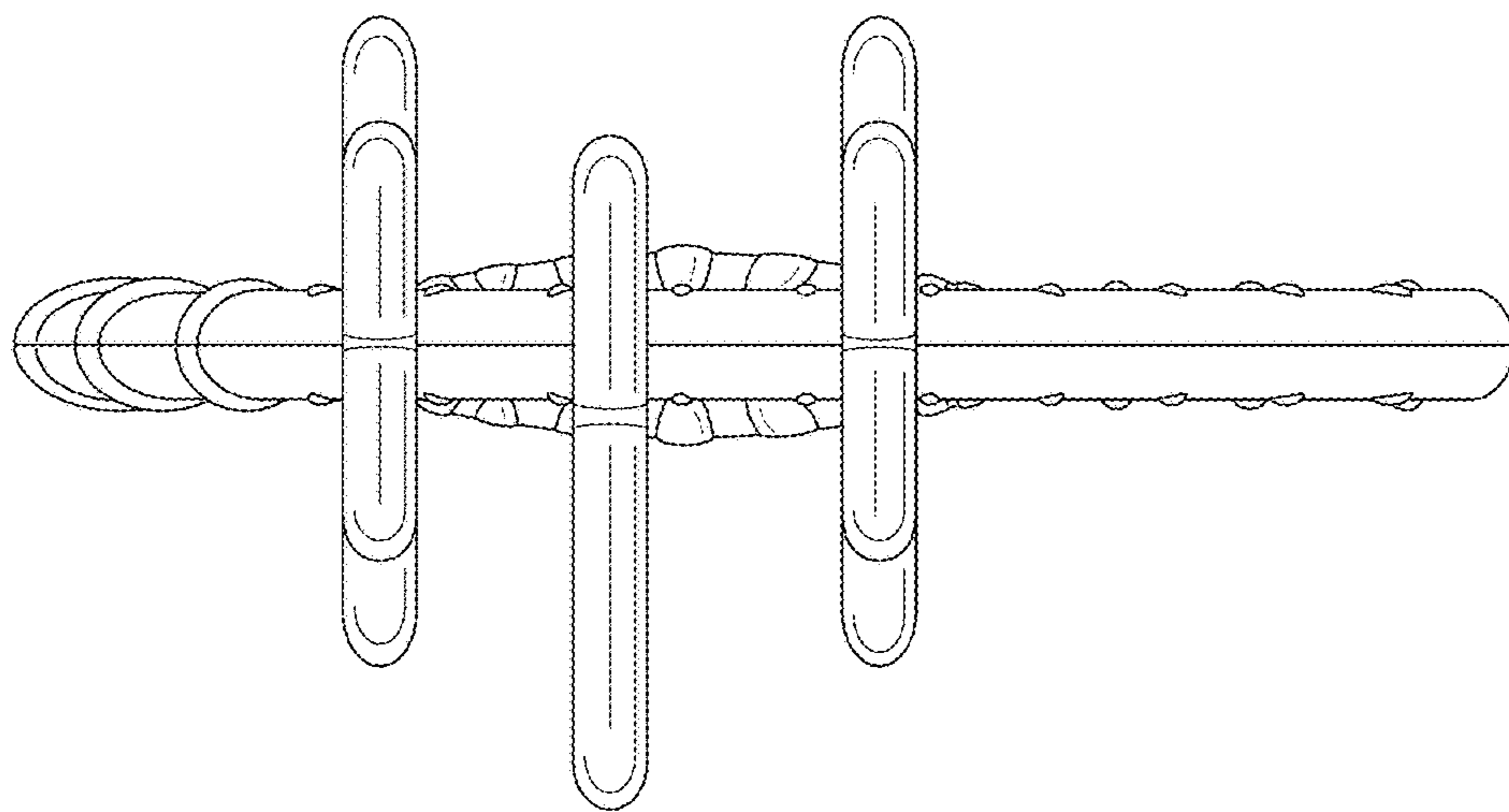


FIG. 7