



US00D867466S

(12) **United States Design Patent**
Thai

(10) **Patent No.:** **US D867,466 S**

(45) **Date of Patent:** **** Nov. 19, 2019**

(54) **BUBBLE MACHINE**

(71) Applicant: **Placo Bubbles Limited**, TST East,
Kowloon (HK)

(72) Inventor: **Jason Shono Thai**, Kowloon (HK)

(73) Assignee: **Placo Bubbles Limited**, Hong Kong
(HK)

(**) Term: **15 Years**

(21) Appl. No.: **29/704,984**

(22) Filed: **Sep. 9, 2019**

Related U.S. Application Data

(63) Continuation-in-part of application No. 29/661,717,
filed on Aug. 30, 2018.

(51) **LOC (12) Cl.** **21-01**

(52) **U.S. Cl.**
USPC **D21/401**

(58) **Field of Classification Search**
USPC D21/401, 570, 572-575; 446/15-21,
446/71-74, 76, 176, 178, 199, 201, 213,
446/217, 218, 475, 484, 487, 491
CPC A63H 33/00; A63H 33/26; A63H 33/28
See application file for complete search history.

(56) **References Cited**

U.S. PATENT DOCUMENTS

2,355,595	A	*	8/1944	Langos	A63H 5/04
						446/182
D145,285	S	*	7/1946	Brewer	D21/575
D159,552	S	*	8/1950	Shelton	42/54
D159,897	S	*	8/1950	Edelstone et al.	D21/572
D168,878	S	*	2/1953	Arliss	D21/572
D169,440	S	*	4/1953	Hirsch	D21/574
2,700,845	A	*	2/1955	Arliss	A63H 33/28
						124/55

D175,643	S	*	9/1955	Reif	D21/574
D261,908	S	*	11/1981	Steinberg	D21/401
6,331,130	B1	*	12/2001	Thai	A63H 3/003
						446/15
6,572,427	B1	*	6/2003	Thai	A63H 33/28
						446/15
6,616,498	B1	*	9/2003	Thai	A63H 33/28
						446/15
D660,921	S	*	5/2012	Johnson	D21/572
D674,026	S	*	1/2013	Roos	D21/401
D722,117	S	*	2/2015	Chen	D21/401
D735,275	S	*	7/2015	Krivulin	D21/401
D761,365	S	*	7/2016	Champ	D21/401

(Continued)

FOREIGN PATENT DOCUMENTS

CN			3541895	*	7/2006
CN			300733318	*	1/2008

(Continued)

Primary Examiner — Catherine A Tuttle

(74) *Attorney, Agent, or Firm* — Raymond Sun

(57) **CLAIM**

The ornamental design for a bubble machine, as shown and described.

DESCRIPTION

FIG. 1 is a front perspective view of a bubble machine showing my new design.

FIG. 2 is a front view thereof.

FIG. 3 is a rear view thereof.

FIG. 4 is a left view thereof.

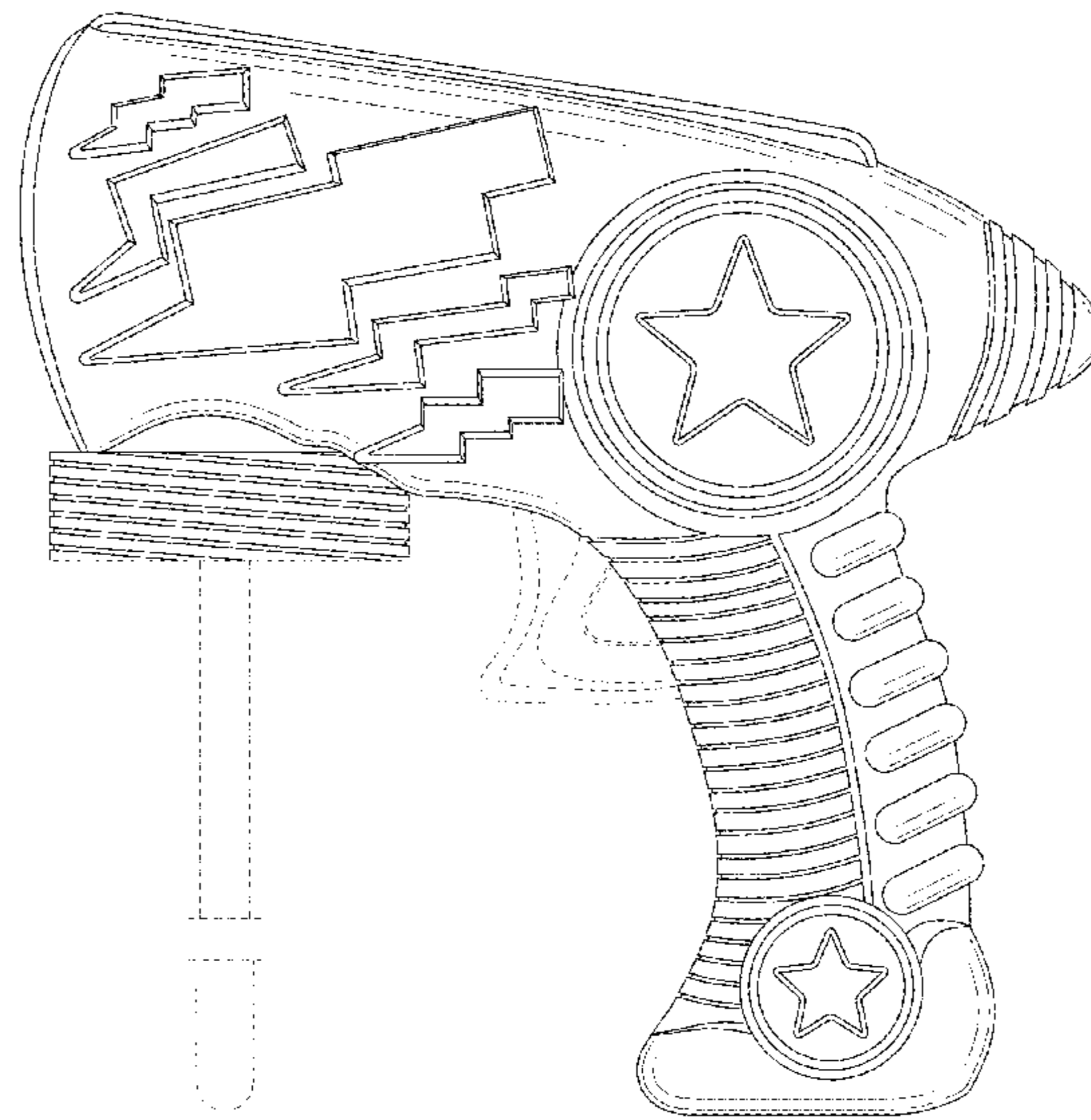
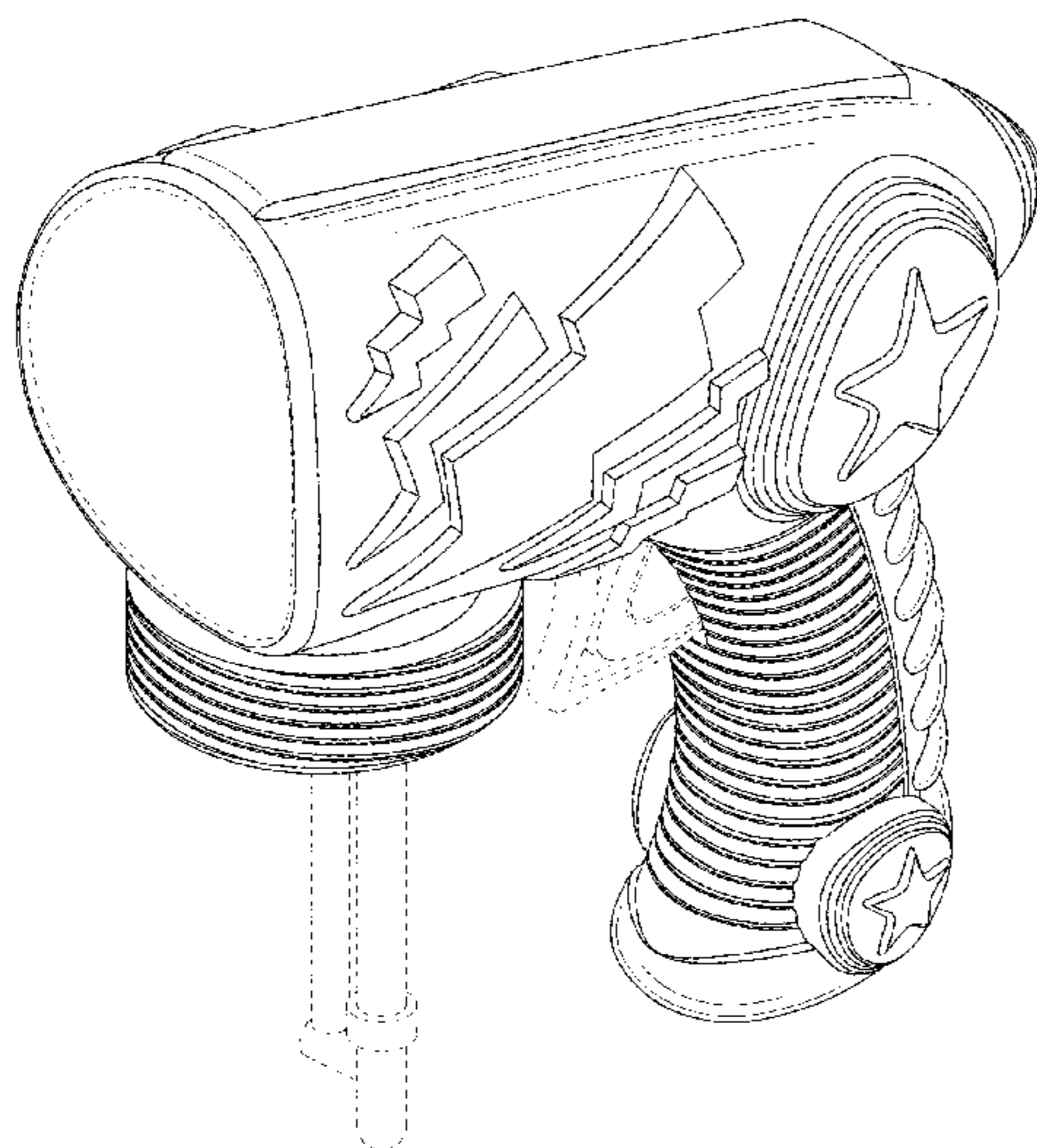
FIG. 5 is a right view thereof.

FIG. 6 is a top view thereof; and,

FIG. 7 is a bottom view thereof.

The broken lines shown herein represent the portions of the bubble machine that form no part of the claimed design.

1 Claim, 7 Drawing Sheets



(56)

References Cited

U.S. PATENT DOCUMENTS

2003/0199221 A1* 10/2003 Thai A63H 33/28
446/15
2006/0084351 A1* 4/2006 Wan A63H 33/28
446/15
2009/0142986 A1* 6/2009 San A63H 33/28
446/15
2013/0125991 A1* 5/2013 Lau A63H 33/28
137/1
2014/0141688 A1* 5/2014 Kelly A63H 33/28
446/15
2014/0273708 A1* 9/2014 Chen A63H 33/28
446/15
2014/0364032 A1* 12/2014 Kelly A63H 33/28
446/15

FOREIGN PATENT DOCUMENTS

CN 300748439 * 2/2008
CN 301320920 * 8/2010
CN 301999034 * 7/2012
CN 302552369 * 8/2013
CN 302552441 * 8/2013
CN 304118663 * 4/2017
CN 304450924 * 1/2018
EP 2450090 A1 * 5/2012 A63H 33/28
GB 1509848 A * 5/1978 A63H 33/28

* cited by examiner

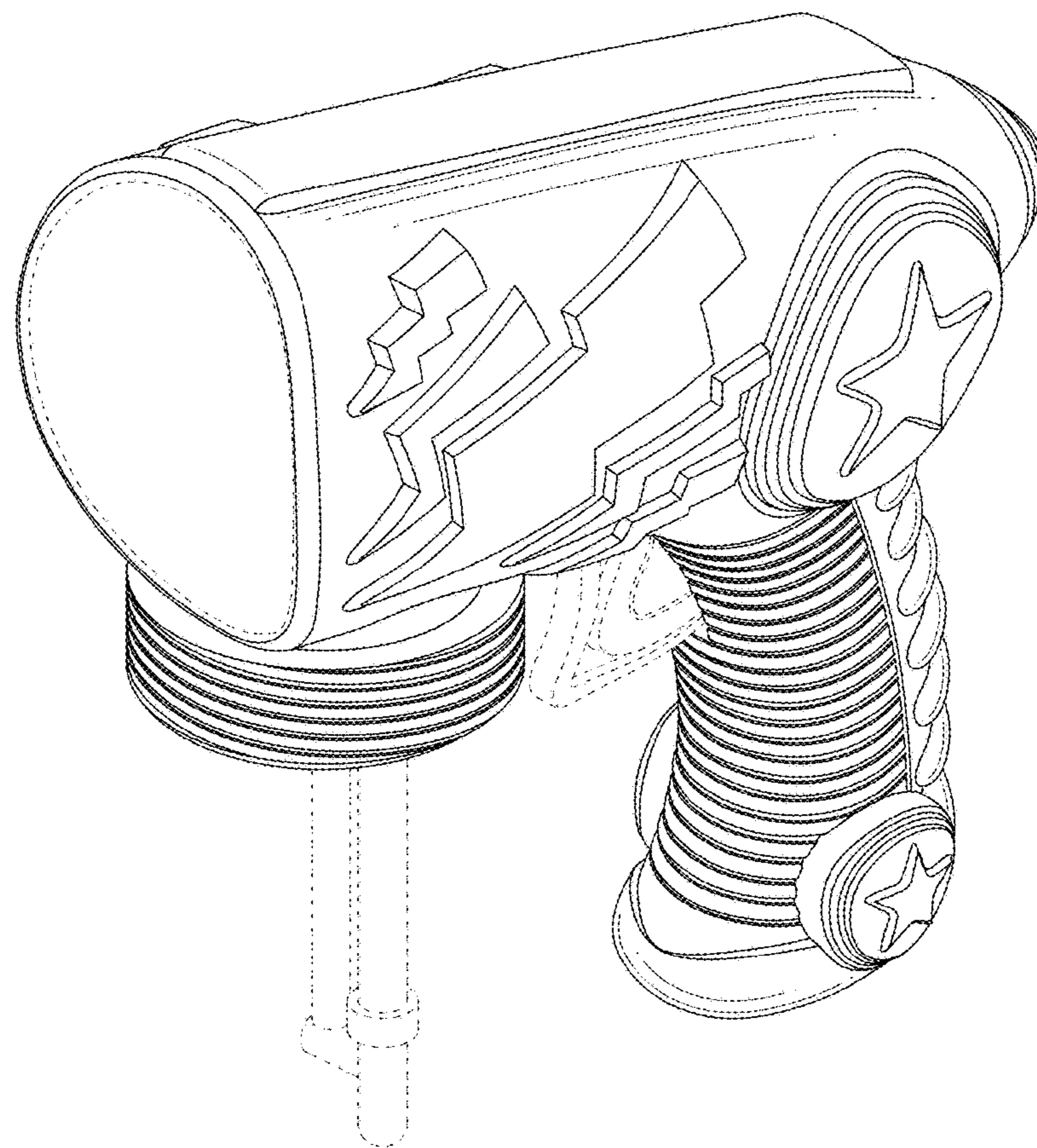


FIG. 1

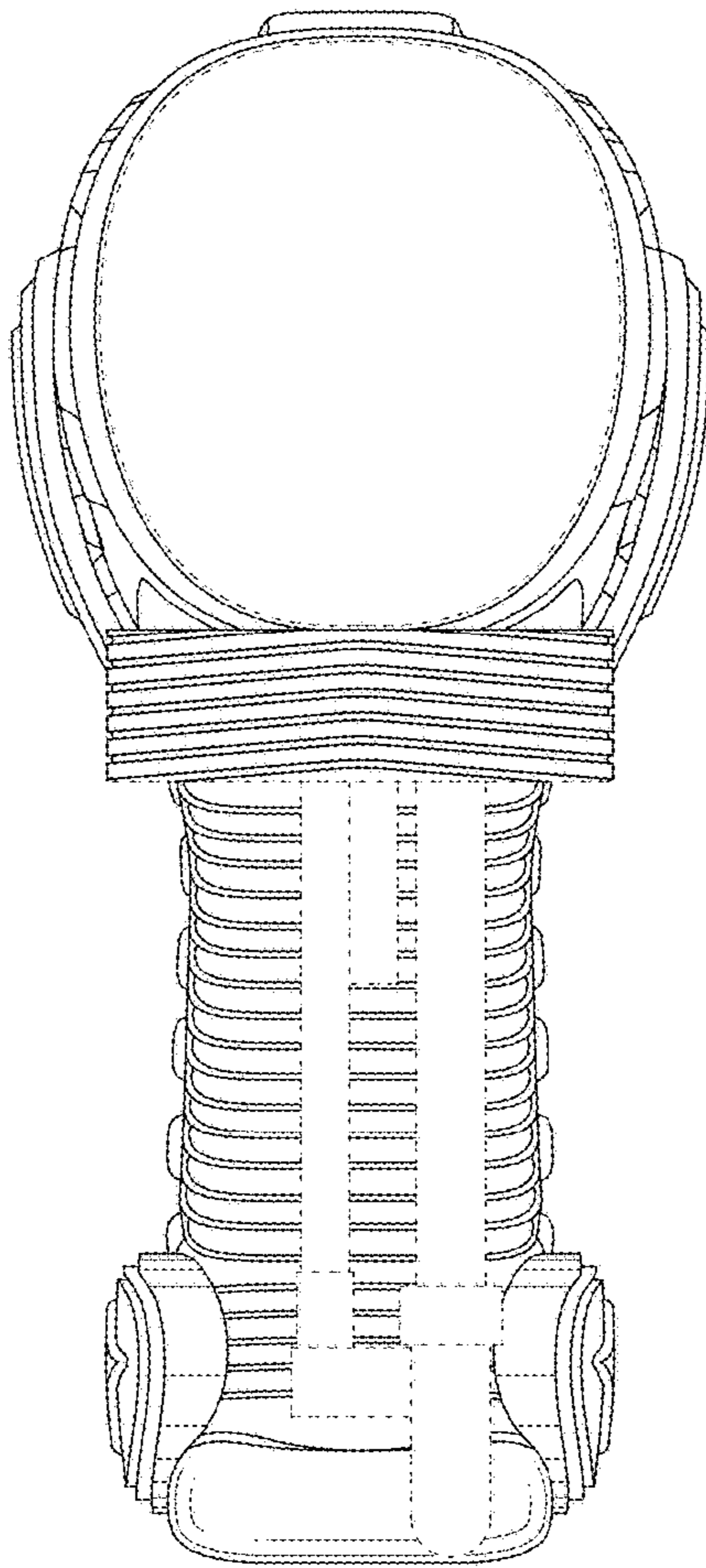


FIG. 2

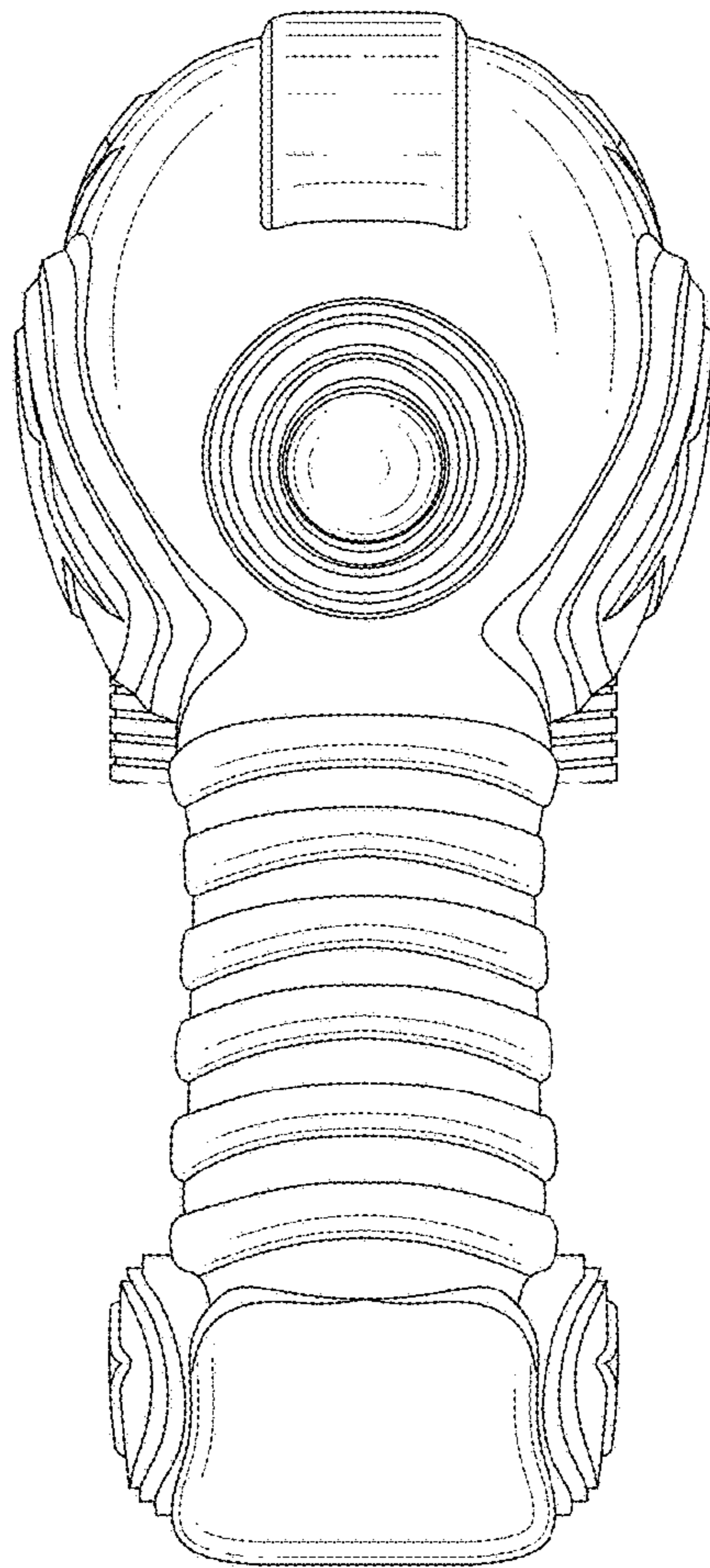


FIG. 3

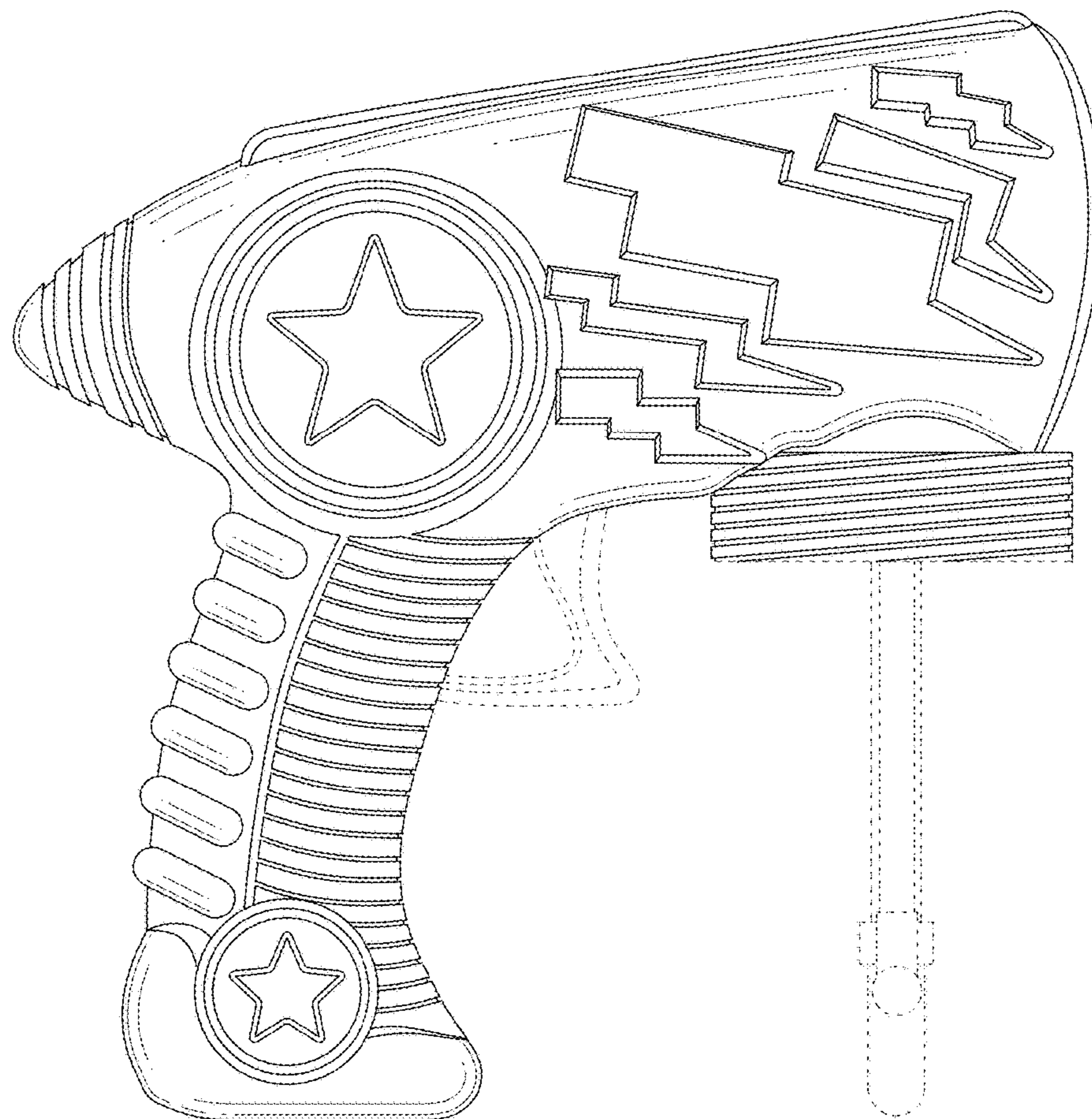


FIG.4

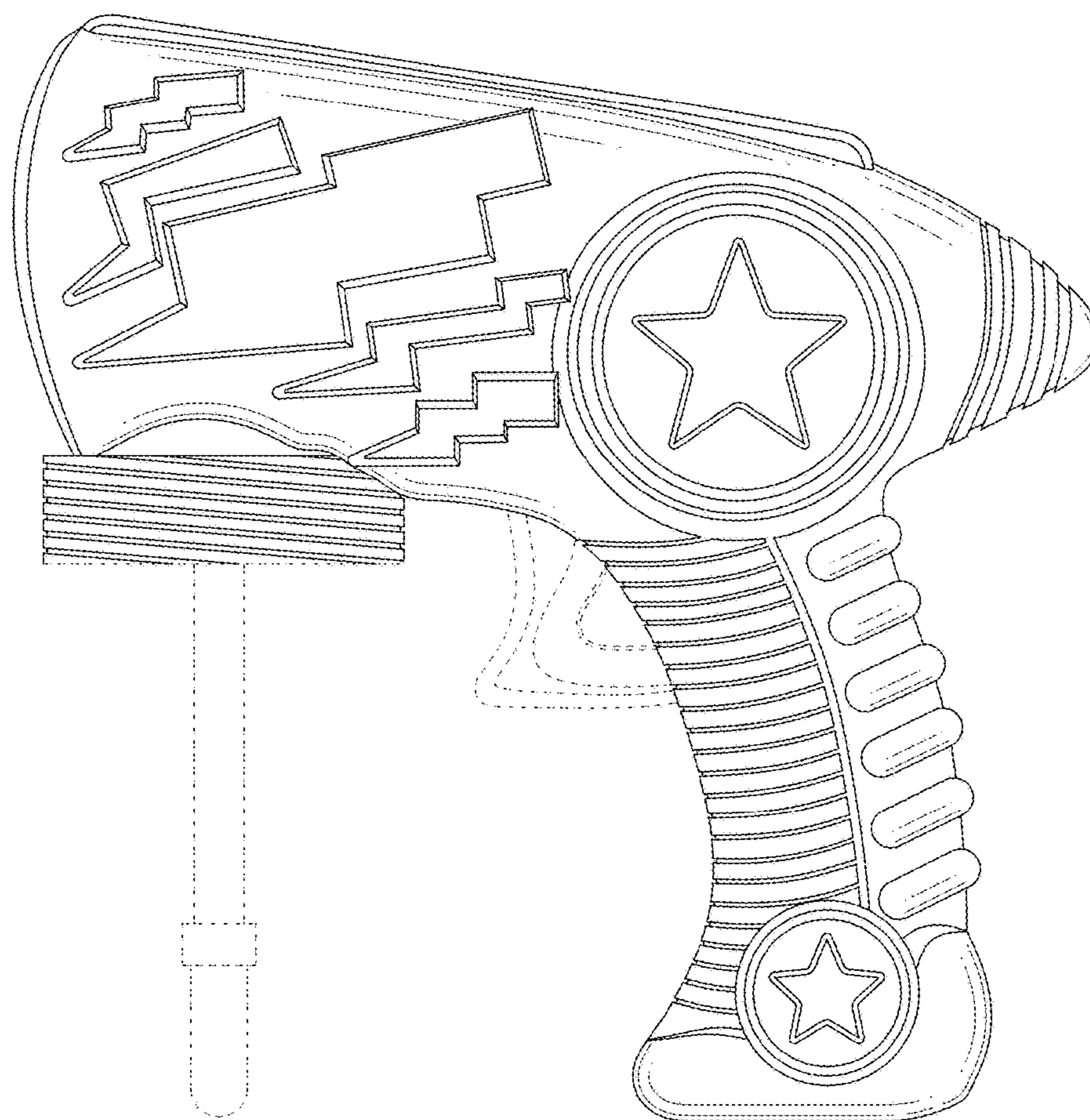


FIG.5

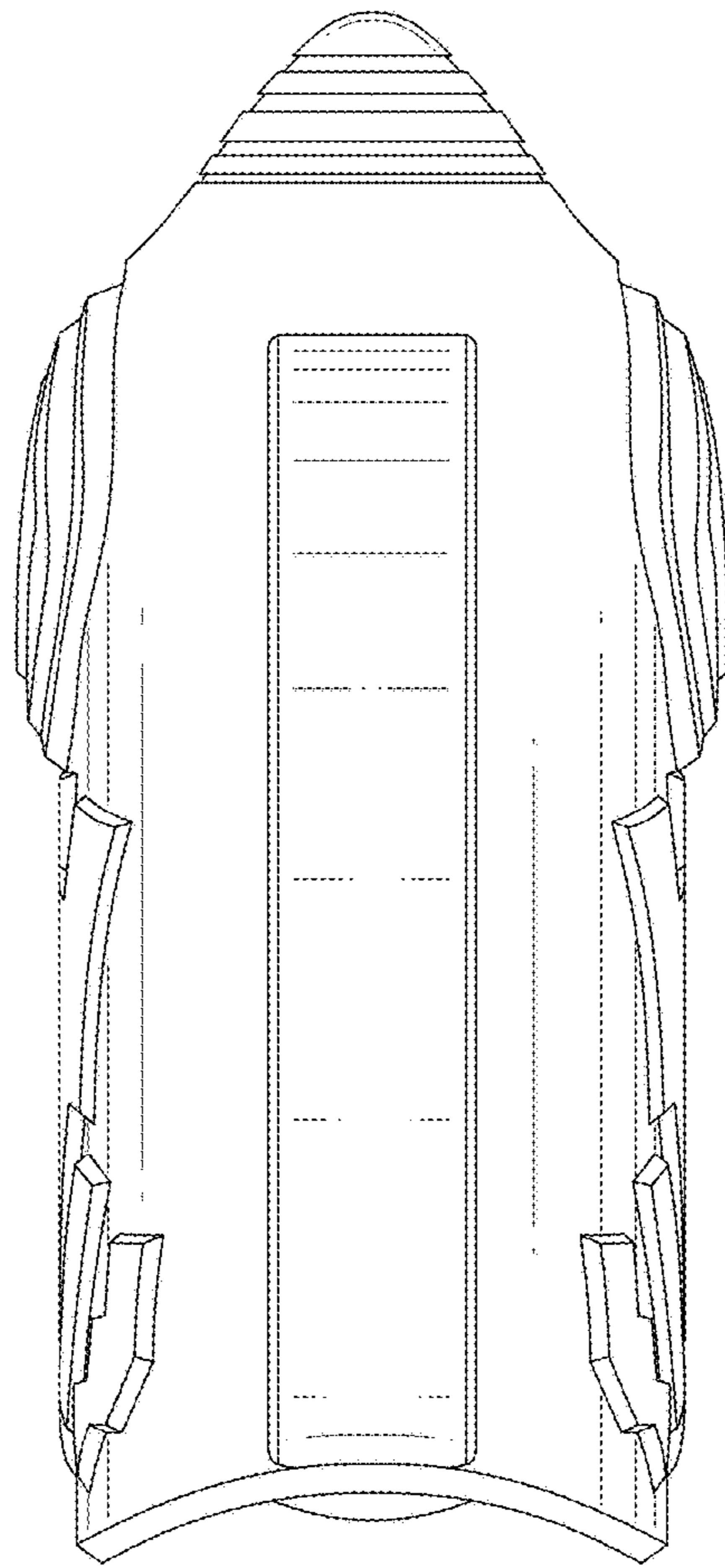


FIG. 6

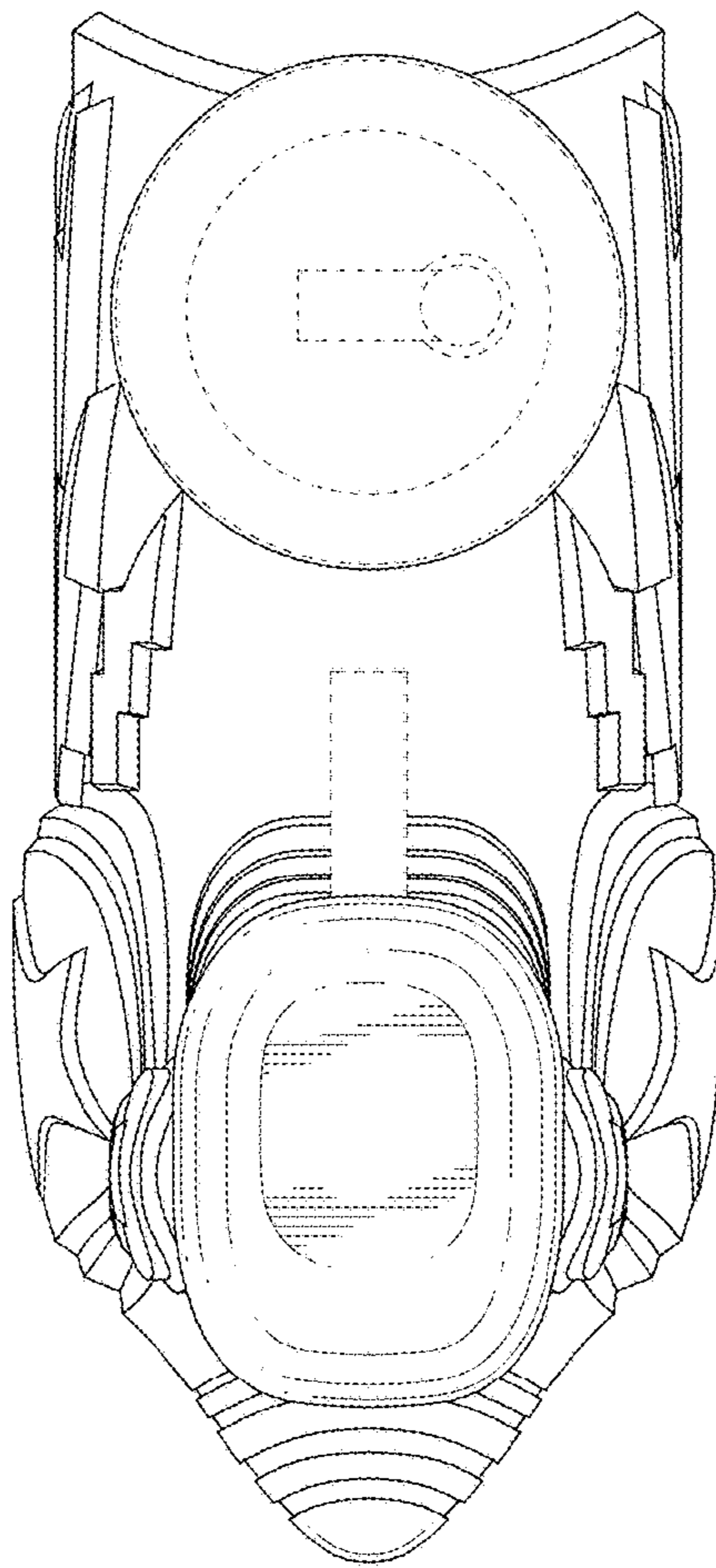


FIG. 7