

US00D867464S

(12) **United States Design Patent**  
**Daniels**

(10) **Patent No.:** **US D867,464 S**

(45) **Date of Patent:** **\*\* Nov. 19, 2019**

(54) **UNIT BASE**

(71) Applicant: **Clifford J Daniels**, Germantown, MD  
(US)

(72) Inventor: **Clifford J Daniels**, Germantown, MD  
(US)

(\*\*) Term: **15 Years**

(21) Appl. No.: **29/640,308**

(22) Filed: **Mar. 13, 2018**

(51) **LOC (12) Cl.** ..... **21-01**

(52) **U.S. Cl.**  
USPC ..... **D21/385**

(58) **Field of Classification Search**  
USPC ..... D10/21, 22, 104.1, 106.2, 106.5, 106.9,  
D10/106.91, 121, 122, 123, 126, 132;  
D21/385  
CPC .. A63F 2003/00359; A63F 2003/00375; A63F  
2003/00388; A63F 2003/00432; A63F  
2003/0047; A63F 2003/00482  
See application file for complete search history.

(56) **References Cited**

**U.S. PATENT DOCUMENTS**

3,023,006	A *	2/1962	Kovacs	.....	A63F 3/00574
					273/282.1
3,514,110	A *	5/1970	Thomander	.....	A63F 3/00075
					273/265
5,048,840	A *	9/1991	Johnson, Jr.	.....	A63F 3/00214
					273/241
5,662,331	A *	9/1997	Cucci	.....	A63B 67/06
					206/315.1
D404,719	S *	1/1999	Suzuki	.....	D13/171
D541,879	S *	5/2007	Klamer	.....	D21/371
D550,297	S *	9/2007	Luciano, Jr.	.....	D13/171
D550,299	S *	9/2007	Luciano, Jr.	.....	D13/171

D563,483	S *	3/2008	Klamer	.....	D21/371
D716,877	S *	11/2014	Raymond	.....	A63F 3/00075
					D21/385
D814,575	S *	4/2018	Colvin	.....	A63H 33/18
					D21/385

(Continued)

**OTHER PUBLICATIONS**

Cliff Daniels, Tabletop or Board Game, Jul. 13, 2018, Blue Hexagon Games [retrieved on Jun. 9, 2019]. Retrieved from the internet: <http://bluhexagongames.com/2018/07/13/board-game> (Year: 2018).\*

*Primary Examiner* — George D. Kirschbaum

*Assistant Examiner* — Joseph J Kukella

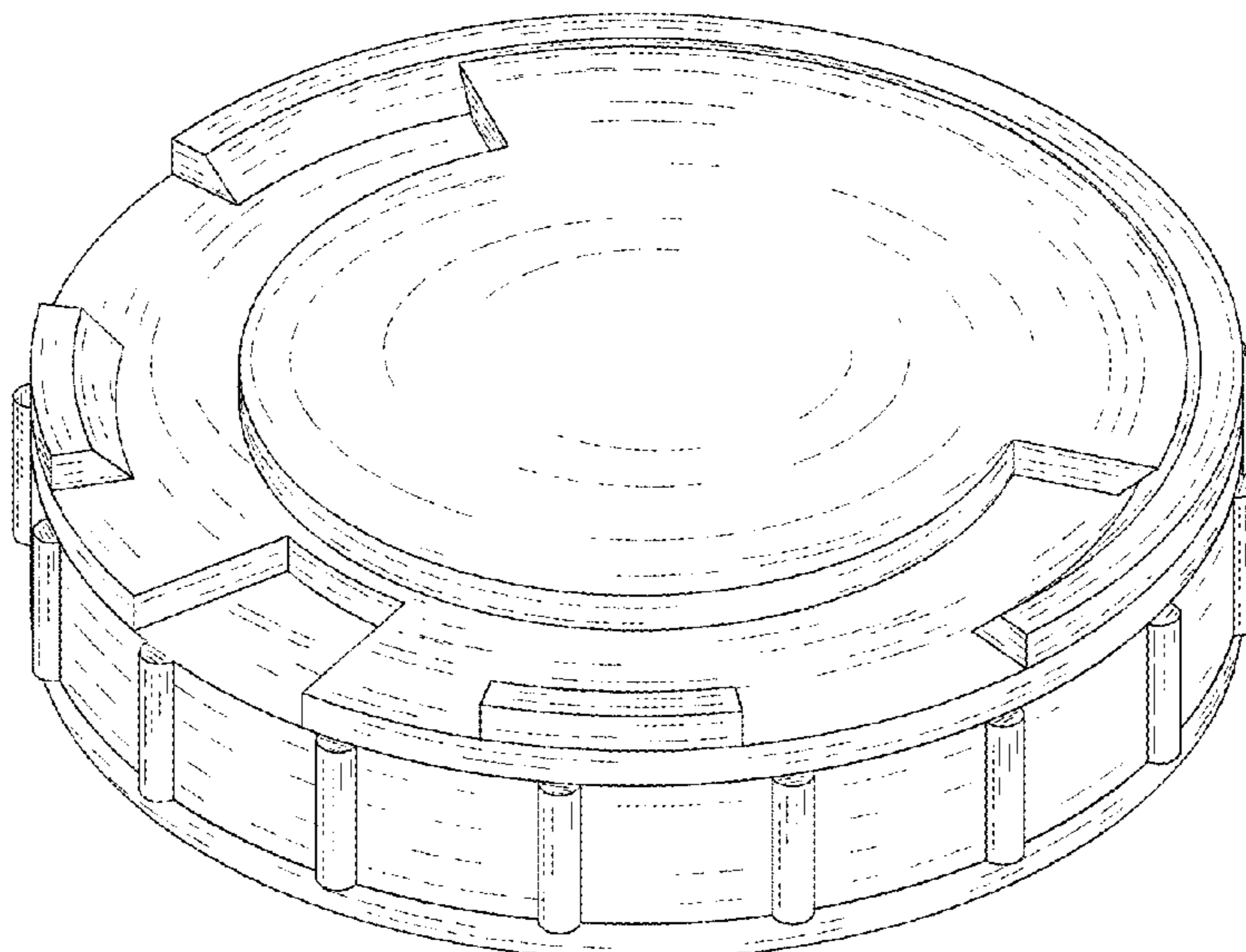
(57) **CLAIM**

The ornamental design for a unit base, as shown and described.

**DESCRIPTION**

FIG. 1 is a top perspective view of a unit base showing my new design;  
FIG. 2 is a bottom perspective view thereof;  
FIG. 3 is a top-exploded perspective view thereof;  
FIG. 4 is a bottom-exploded perspective view thereof;  
FIG. 5 is a front-exploded perspective view thereof, showing the plane upon which a cross-sectional view is taken and shown in FIG. 6;  
FIG. 6 is a vertical cross-sectional view thereof taken along line 6-6 of FIG. 5;  
FIG. 7 is a front view thereof;  
FIG. 8 is a back view thereof;  
FIG. 9 is a top view thereof;  
FIG. 10 is a bottom view thereof;  
FIG. 11 is a left view thereof; and,  
FIG. 12 is a right view thereof.  
The broken lines showing of recessions in FIG. 2, FIG. 4-6, and FIG. 10 and the broken lines showing of protrusions in FIG. 3-6 are included for the purpose of showing environmental structure and forms no part of the claimed design.

**1 Claim, 12 Drawing Sheets**



(56)

**References Cited**

U.S. PATENT DOCUMENTS

D846,651 S \* 4/2019 Colvin ..... A63F 7/0017  
D21/385  
D847,906 S \* 5/2019 Colvin ..... A63F 3/00214  
D21/385  
2014/0084544 A1\* 3/2014 Nakayama ..... A63H 33/18  
273/317  
2015/0137452 A1\* 5/2015 Dahl ..... A63F 7/0017  
273/342

\* cited by examiner

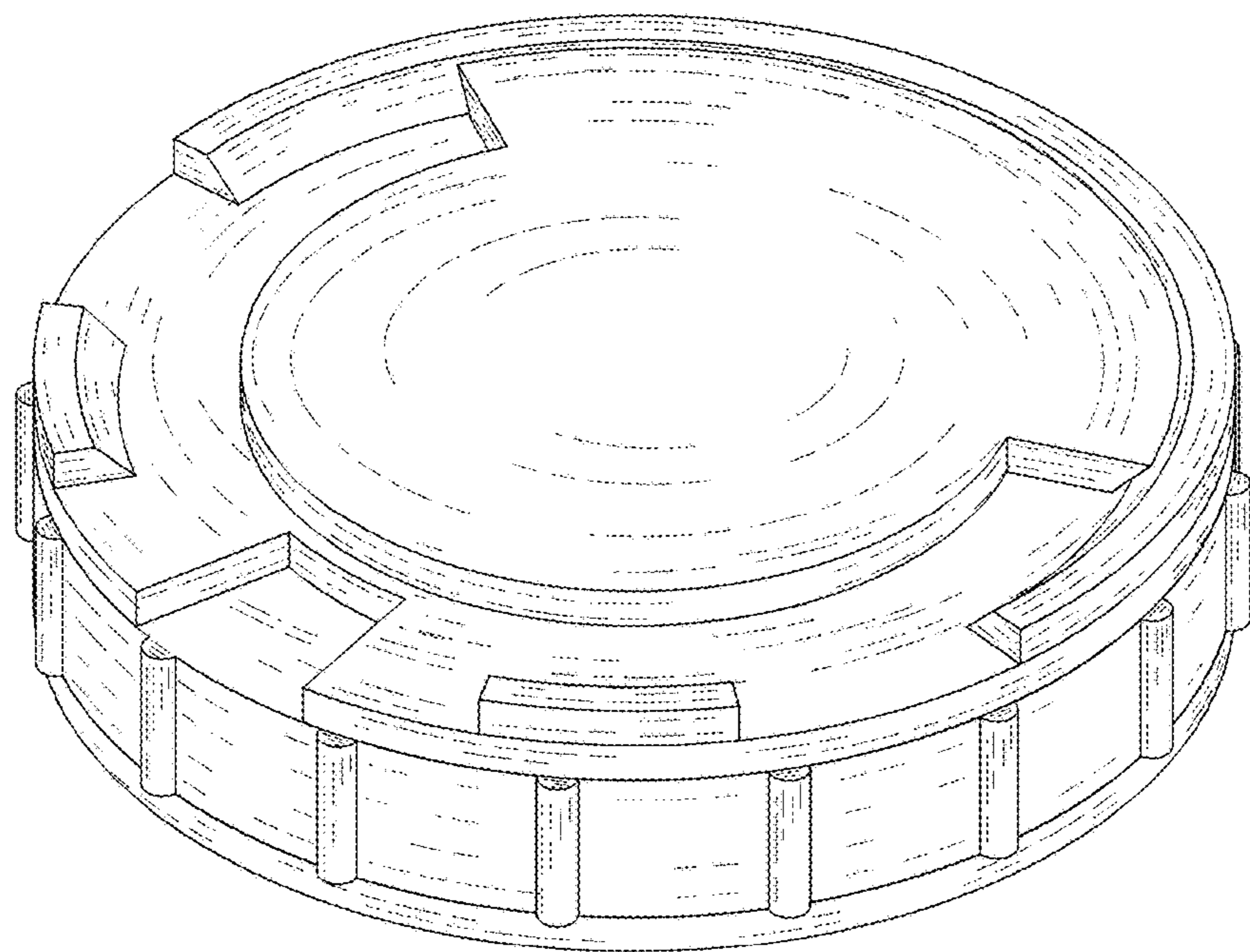


FIG. 1

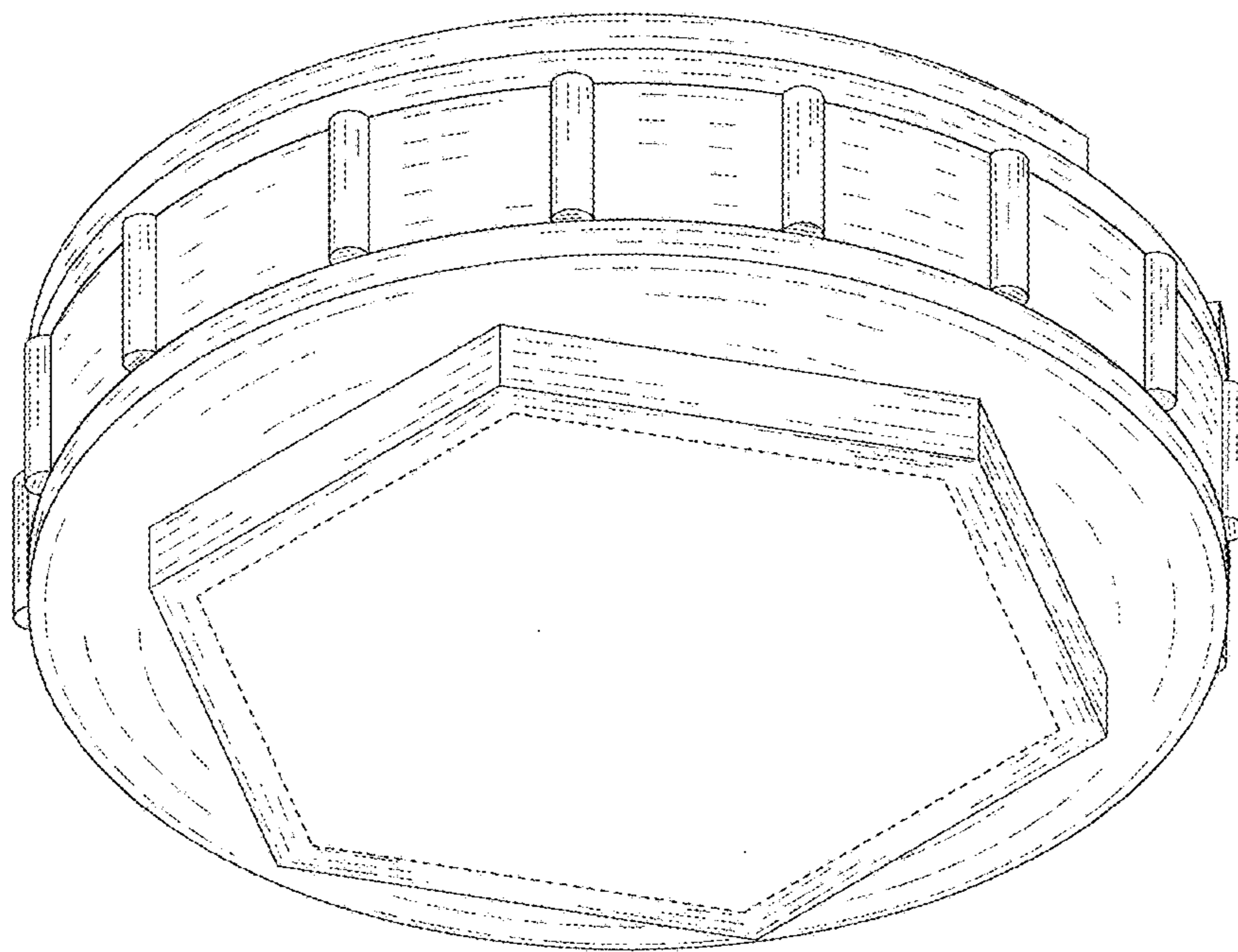


FIG. 2

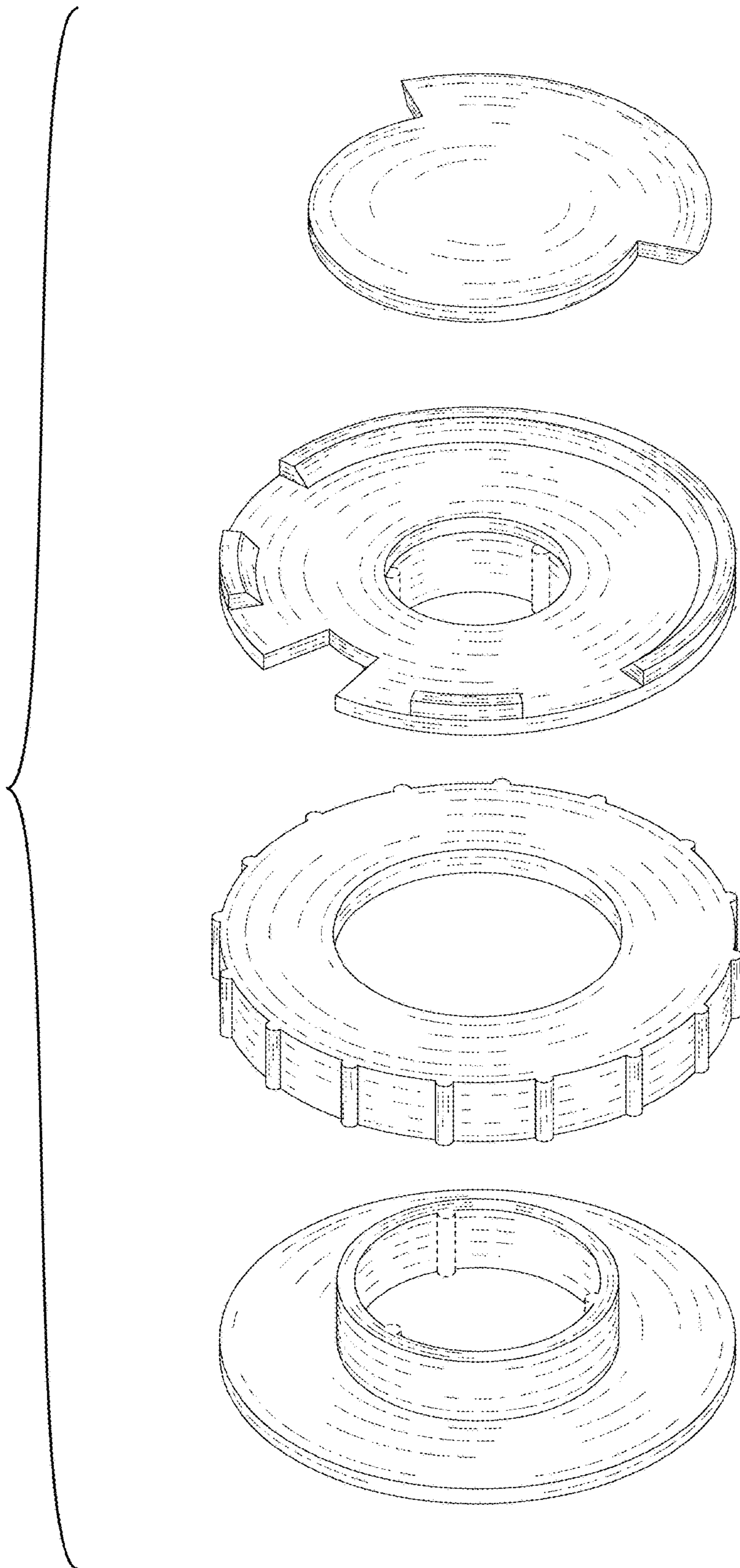


FIG. 3

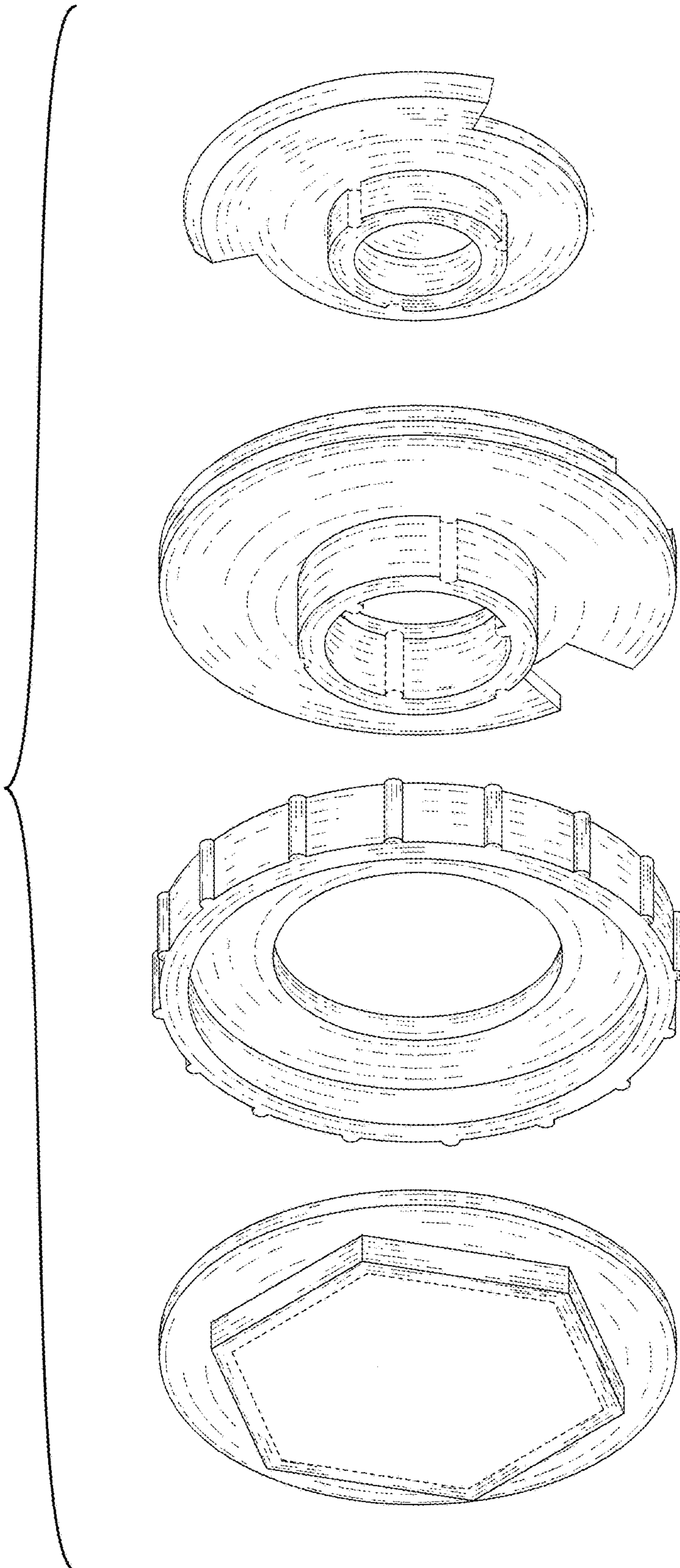


FIG. 4

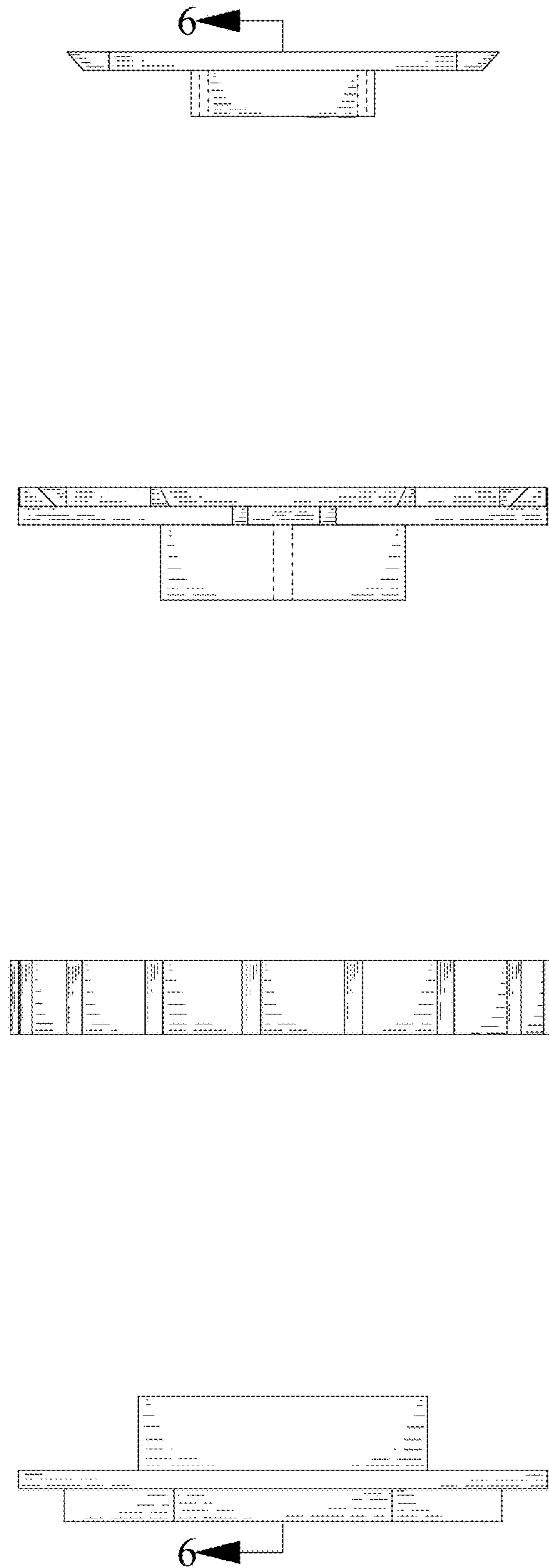


FIG. 5

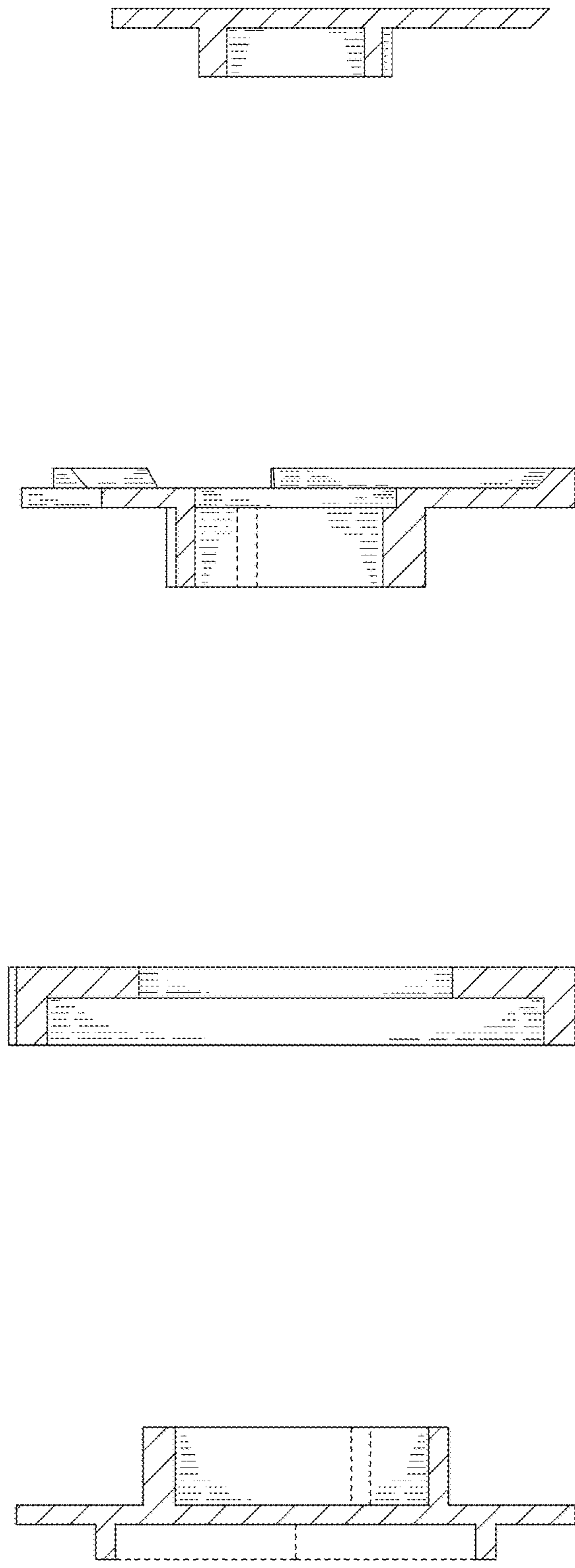


FIG. 6



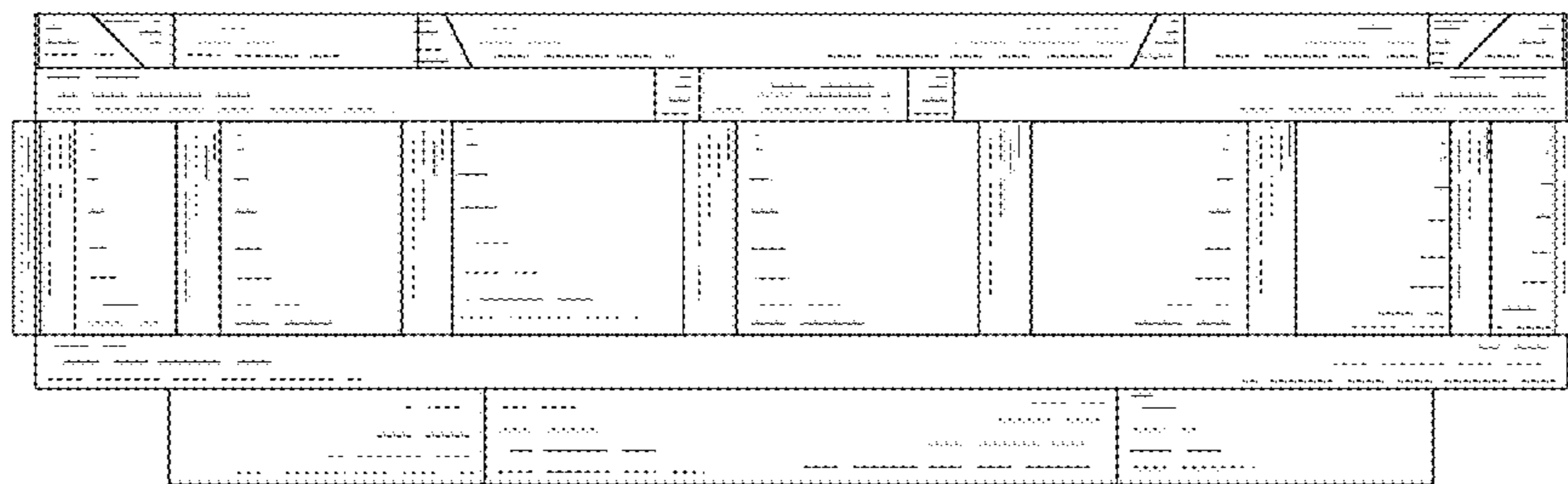


FIG. 7

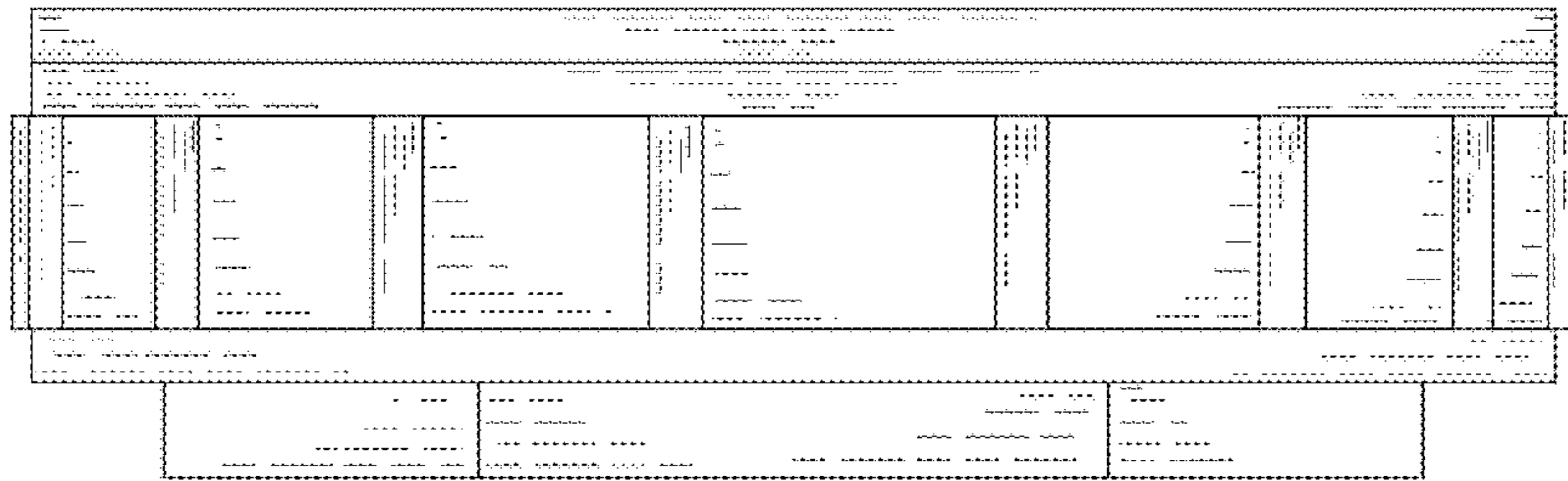


FIG. 8

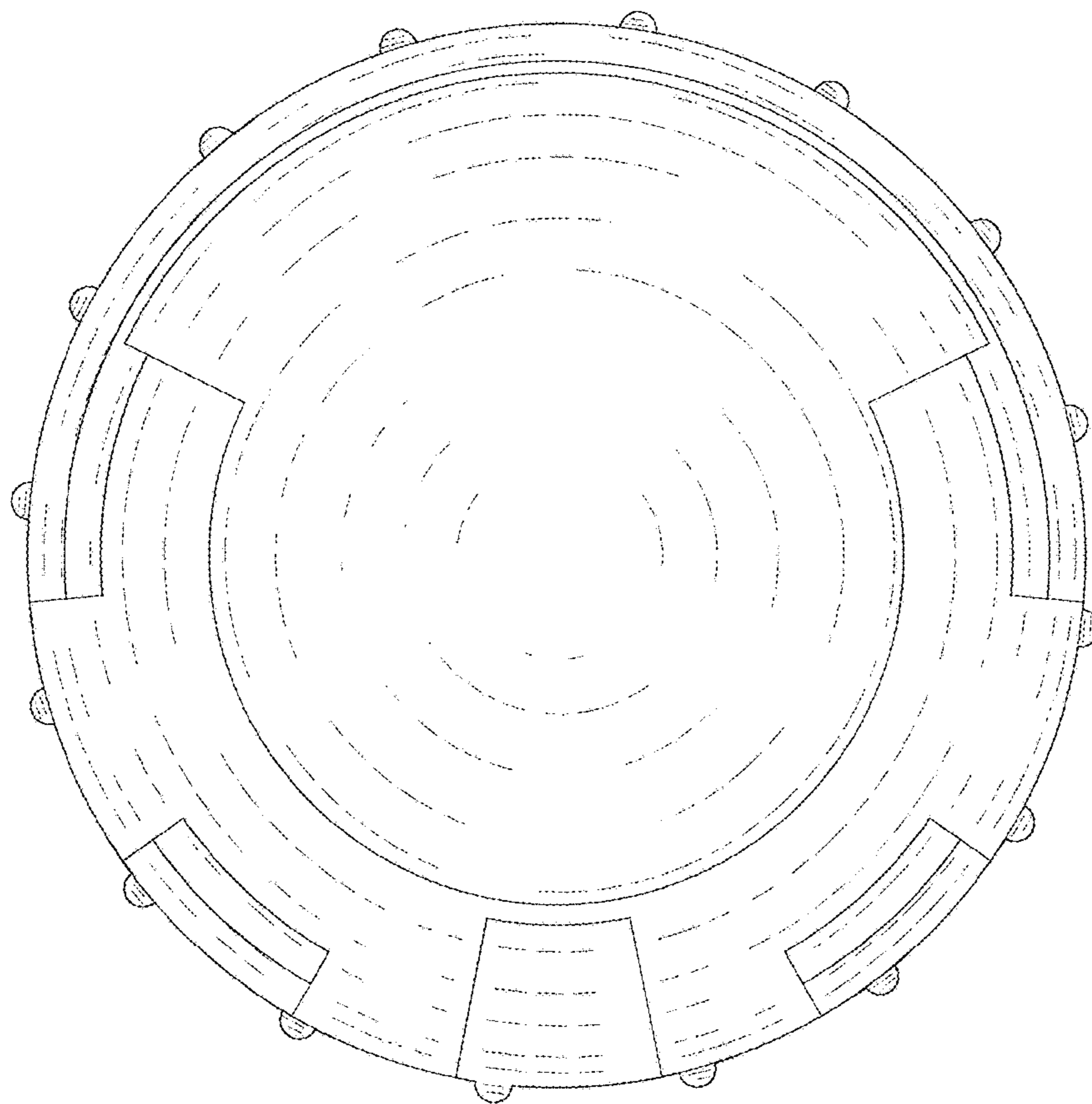


FIG. 9

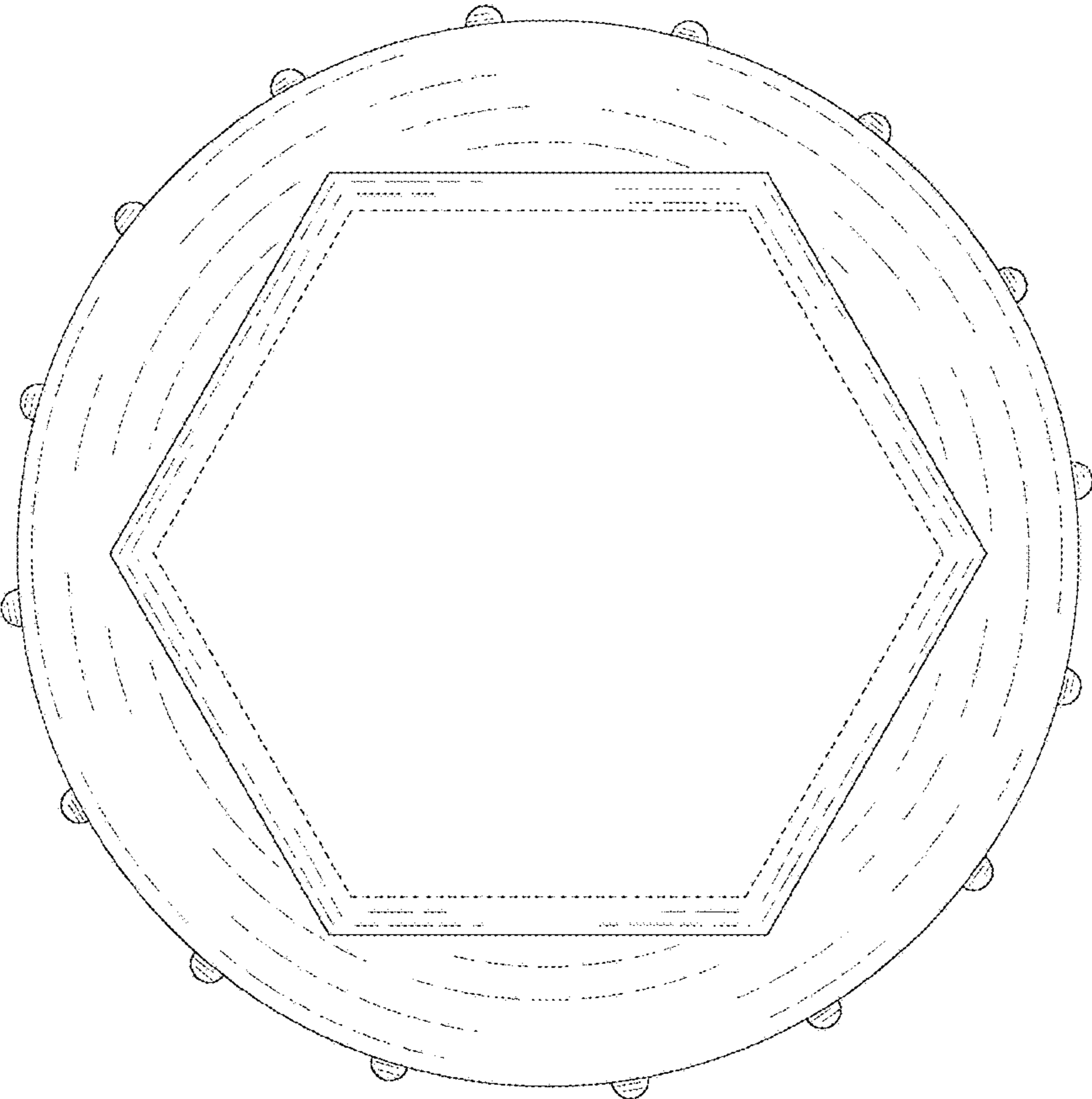


FIG. 10

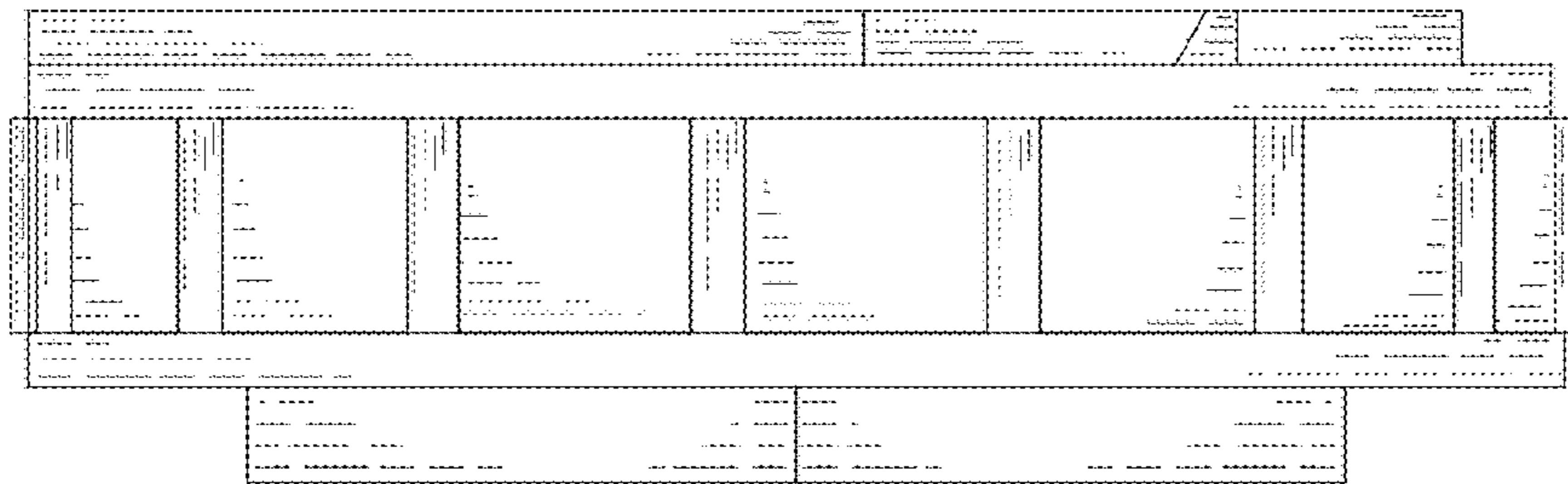


FIG. 11

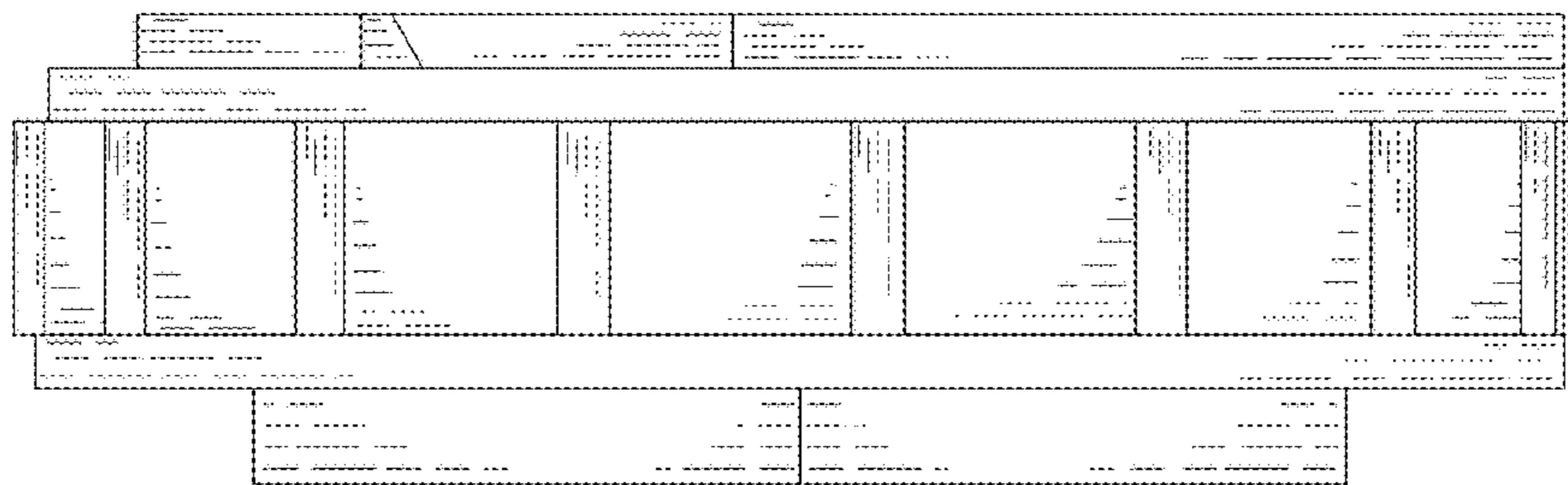


FIG. 12