



US00D867461S

(12) **United States Design Patent**
Huang et al.

(10) **Patent No.:** **US D867,461 S**

(45) **Date of Patent:** **** Nov. 19, 2019**

(54) **LOTTERY MACHINE**

(71) Applicant: **IBASE Gaming INC.**, New Taipei (TW)

(72) Inventors: **Nien-Chang Huang**, New Taipei (TW);
Hao-En Hung, New Taipei (TW)

(73) Assignee: **IBASE GAMING INC.**, New Taipei (TW)

(**) Term: **15 Years**

(21) Appl. No.: **29/615,974**

(22) Filed: **Sep. 1, 2017**

(30) **Foreign Application Priority Data**

Mar. 3, 2017 (TW) 106301044

(51) **LOC (12) Cl.** **21-01**

(52) **U.S. Cl.**

USPC **D21/369**

(58) **Field of Classification Search**

USPC D21/369, 370, 371, 385, 329, 325, 394;
D14/307, 172, 129, 325, 401, 371, 126,
D14/439, 432, 450, 128, 375, 248, 374,
D14/341, 138 G, 127; 463/28, 13, 11,
463/16, 20, 25, 31, 46, 23, 30, 17, 36, 29,
463/42, 34, 32, 35, 19, 21, 22; 273/292,
273/203, 138.2, 143 R, 142 R, 138.1;
D19/60; D16/226; D8/335, 331, 334;
D26/141; D7/641

CPC G07F 17/32; G07F 17/34; G07F 17/3211;
G07F 17/3244; G07F 17/3267

See application file for complete search history.

(56) **References Cited**

U.S. PATENT DOCUMENTS

D272,164 S * 1/1984 Heywood D21/370
D272,254 S * 1/1984 Heywood D21/370

D327,508 S * 6/1992 Mirando D21/325
D361,516 S * 8/1995 Peersmann D10/6
D380,687 S * 7/1997 Hsu D10/6
D407,442 S * 3/1999 Thai D20/3
D421,631 S * 3/2000 Tsuda D21/329
D424,098 S * 5/2000 Kim D14/375
D428,062 S * 7/2000 Hayashi D21/325
D436,380 S * 1/2001 Brettschneider D21/325
D439,931 S * 4/2001 Yamaguchi D21/325
D442,640 S * 5/2001 Hayashi D21/305
D446,252 S * 8/2001 Yamaguchi D21/325
D450,094 S * 11/2001 Hedrick D21/325
6,350,199 B1 * 2/2002 Williams G07F 17/3211
463/16
6,368,216 B1 * 4/2002 Hedrick G07F 17/3211
463/20
6,422,670 B1 * 7/2002 Hedrick G07F 17/32
312/223.1
D463,504 S * 9/2002 Stephan D21/369
D467,284 S * 12/2002 Yamanaka D21/370
6,575,541 B1 * 6/2003 Hedrick G07F 17/3211
292/106
D481,518 S * 10/2003 Magee D99/28

(Continued)

Primary Examiner — Ryan Harvey

(57) **CLAIM**

The ornamental design for a lottery machine, as shown and described.

DESCRIPTION

FIG. 1 is a perspective view of a lottery machine showing the new design;

FIG. 2 is a front view thereof;

FIG. 3 is a rear view thereof;

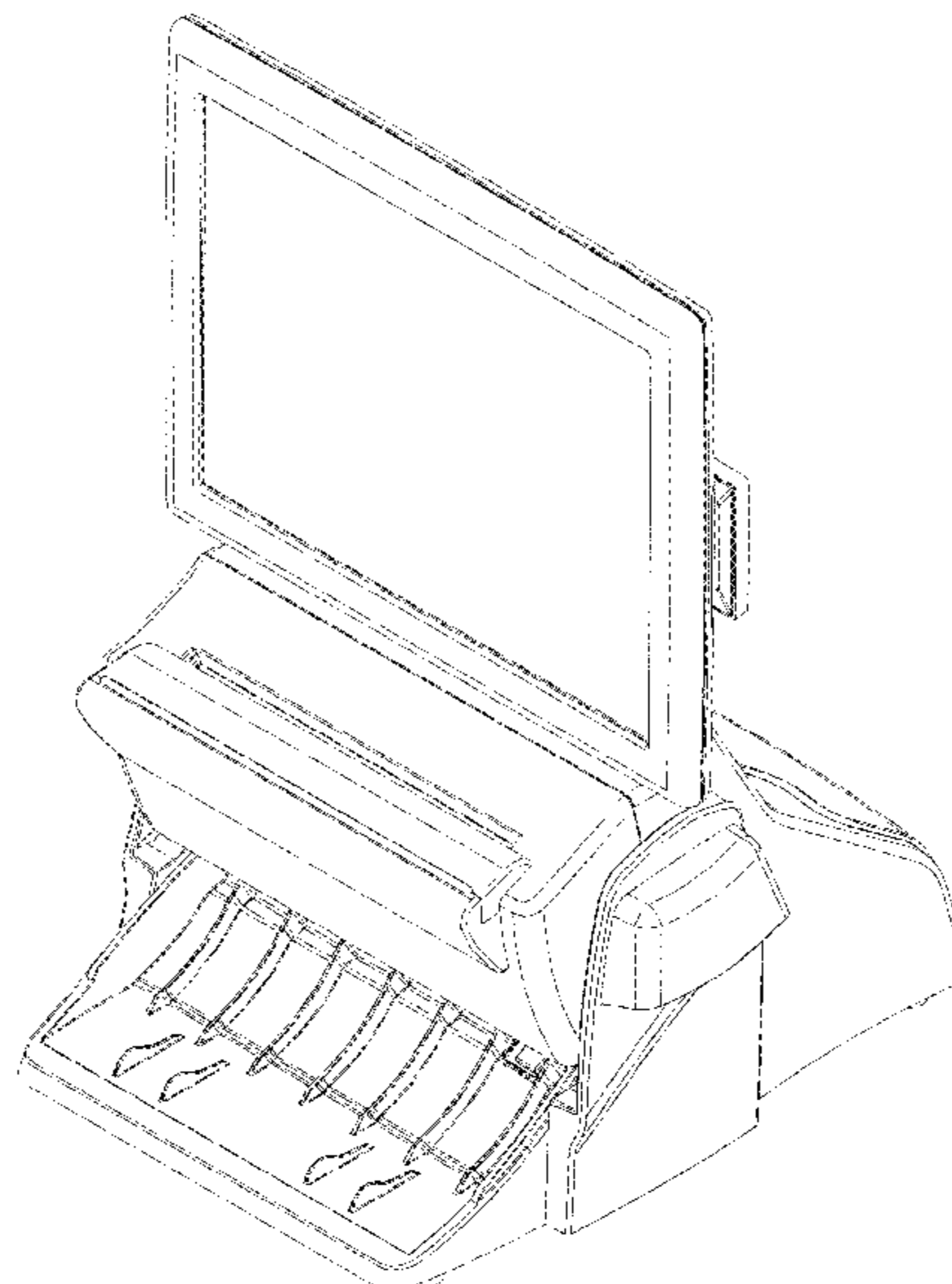
FIG. 4 is a left side view thereof;

FIG. 5 is a right side view thereof;

FIG. 6 is a top view thereof; and,

FIG. 7 is a bottom view thereof.

1 Claim, 7 Drawing Sheets



(56)

References Cited

U.S. PATENT DOCUMENTS

6,905,408 B2 *	6/2005	Inoue	G07F 17/3213	9,715,784 B2 *	7/2017	Bennett	G07F 17/3244
				273/143 R	D801,436 S *	10/2017	Stephenson, III	D21/369
D508,269 S *	8/2005	Wichinsky	D21/325	D801,437 S *	10/2017	Hohman	D21/370
D509,256 S *	9/2005	Pierce	D21/370	D807,424 S *	1/2018	Chang	D18/4.4
7,184,277 B2 *	2/2007	Beirne	A63F 13/08	D808,467 S *	1/2018	Huang	D21/369
				361/807	D812,145 S *	3/2018	Huang	D21/369
D537,885 S *	3/2007	Gadda	D21/329	D825,134 S *	8/2018	Birnie	D99/28
D539,854 S *	4/2007	Luciano	D21/369	D839,357 S *	1/2019	Steelman	D21/369
D546,024 S *	7/2007	Danelius	D99/37	10,176,668 B2 *	1/2019	Galasso	G07F 17/3227
D554,709 S *	11/2007	Young	D21/370	D842,929 S *	3/2019	Hung	D21/325
D559,917 S *	1/2008	Cole	D21/369	D852,890 S *	7/2019	Ross	D21/370
D569,919 S *	5/2008	Zielinski	D21/370	2004/0018866 A1 *	1/2004	Inoue	G07F 17/3213
D594,068 S *	6/2009	Hsu	D21/370					463/16
D677,736 S *	3/2013	Dorn	D21/370	2004/0053699 A1 *	3/2004	Rasmussen	G07F 17/32
D681,129 S *	4/2013	DeSimone	D21/370					463/46
8,414,371 B2 *	4/2013	Tempest	G07F 17/34	2004/0137978 A1 *	7/2004	Cole	G07F 17/32
				463/16					463/16
D684,637 S *	6/2013	Shelley	D21/370	2006/0025195 A1 *	2/2006	Pennington	G07F 17/3267
D684,639 S *	6/2013	Shelley	D21/370					463/16
8,662,984 B2 *	3/2014	Haga	G07F 17/3213	2006/0281559 A1 *	12/2006	Luciano	G07F 17/32
				463/20					463/46
D705,872 S *	5/2014	Ortiz	D21/370	2008/0045347 A1 *	2/2008	Stephenson	G07F 17/3211
9,033,784 B2 *	5/2015	Vancura	G07F 17/32					463/46
				273/292	2009/0011839 A1 *	1/2009	Cole	G07F 9/10
9,033,806 B2 *	5/2015	Bruzzese	G07F 17/3216					463/46
				463/46	2010/0113125 A1 *	5/2010	Bernard	G07F 17/3202
D732,263 S *	6/2015	Budde	D99/28					463/20
D740,887 S *	10/2015	Randazzo	D21/370	2010/0120541 A1 *	5/2010	Lesley	G07F 17/32
9,208,655 B2 *	12/2015	Aida	G07F 17/34					463/46
D756,064 S *	5/2016	Budde	D99/28	2010/0124962 A1 *	5/2010	Chudek	G07F 17/32
D760,846 S *	7/2016	Castro	D21/370					463/13
D769,569 S *	10/2016	Kennedy	D99/28	2012/0170233 A1 *	7/2012	Ku	G06F 1/181
D779,770 S *	2/2017	Park	D99/28					361/752
9,600,970 B2 *	3/2017	Meyer	G07F 17/34	2015/0371486 A1 *	12/2015	Castro	G07F 17/3211
									463/31

* cited by examiner

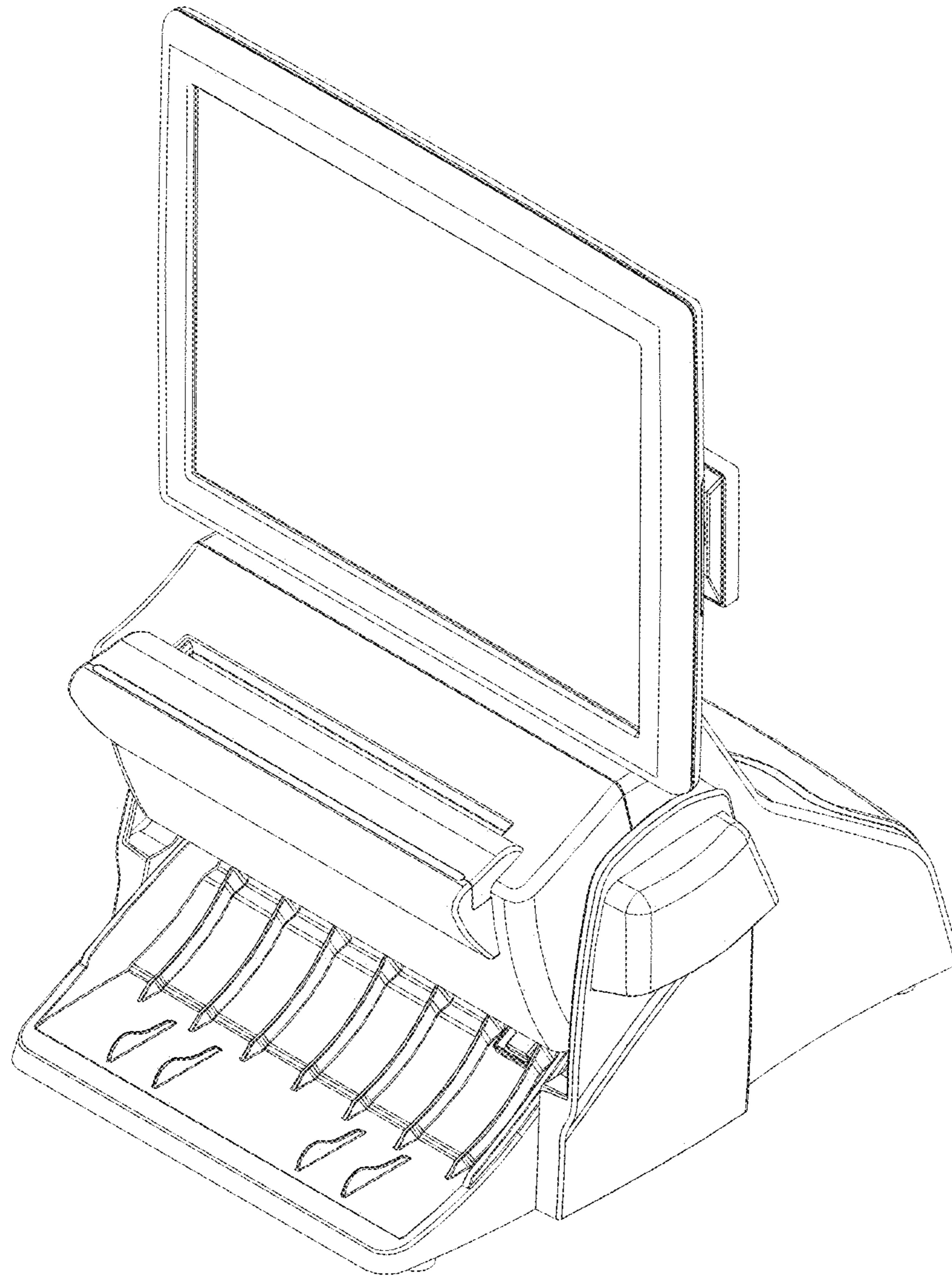


Fig. 1

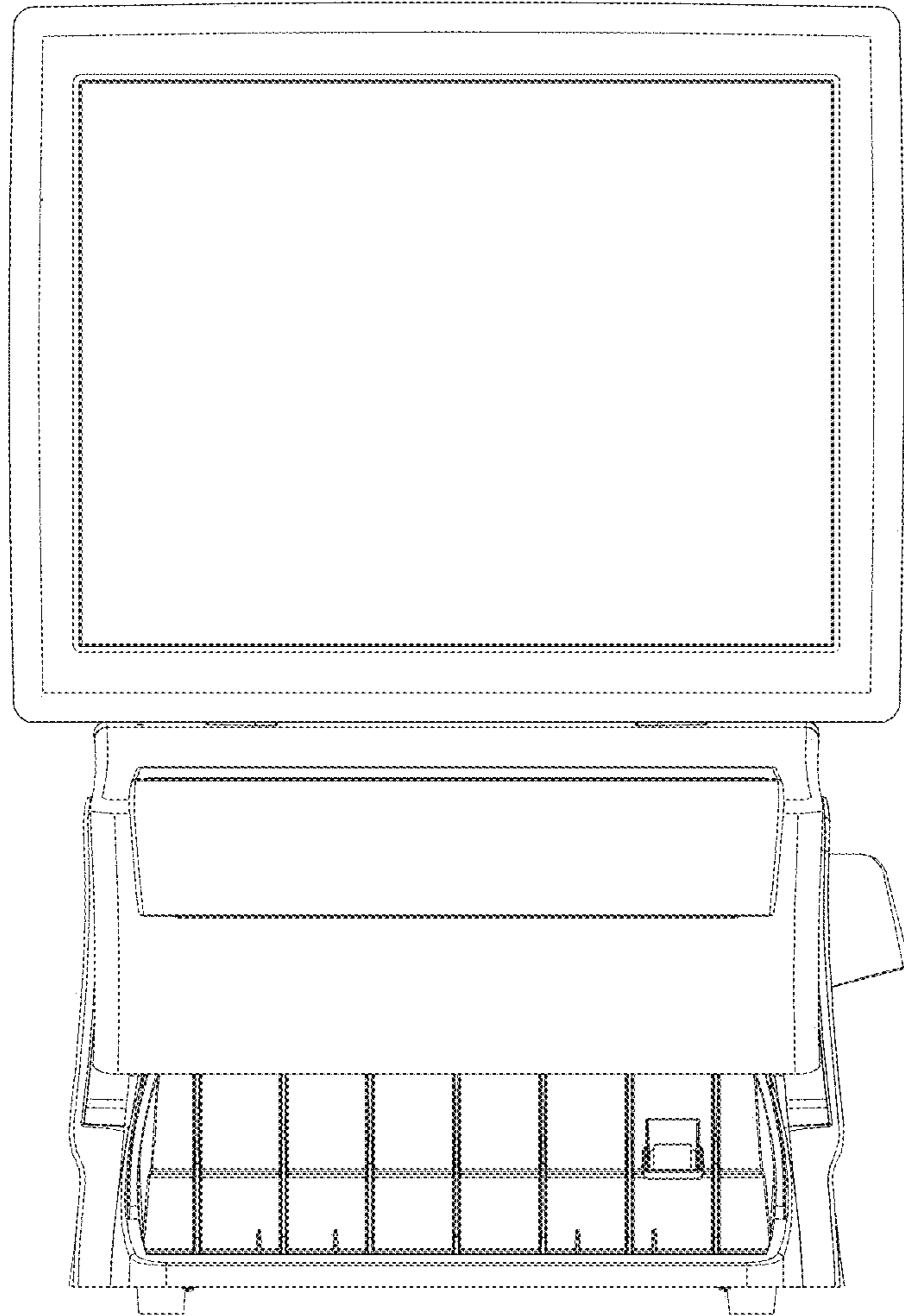


Fig. 2

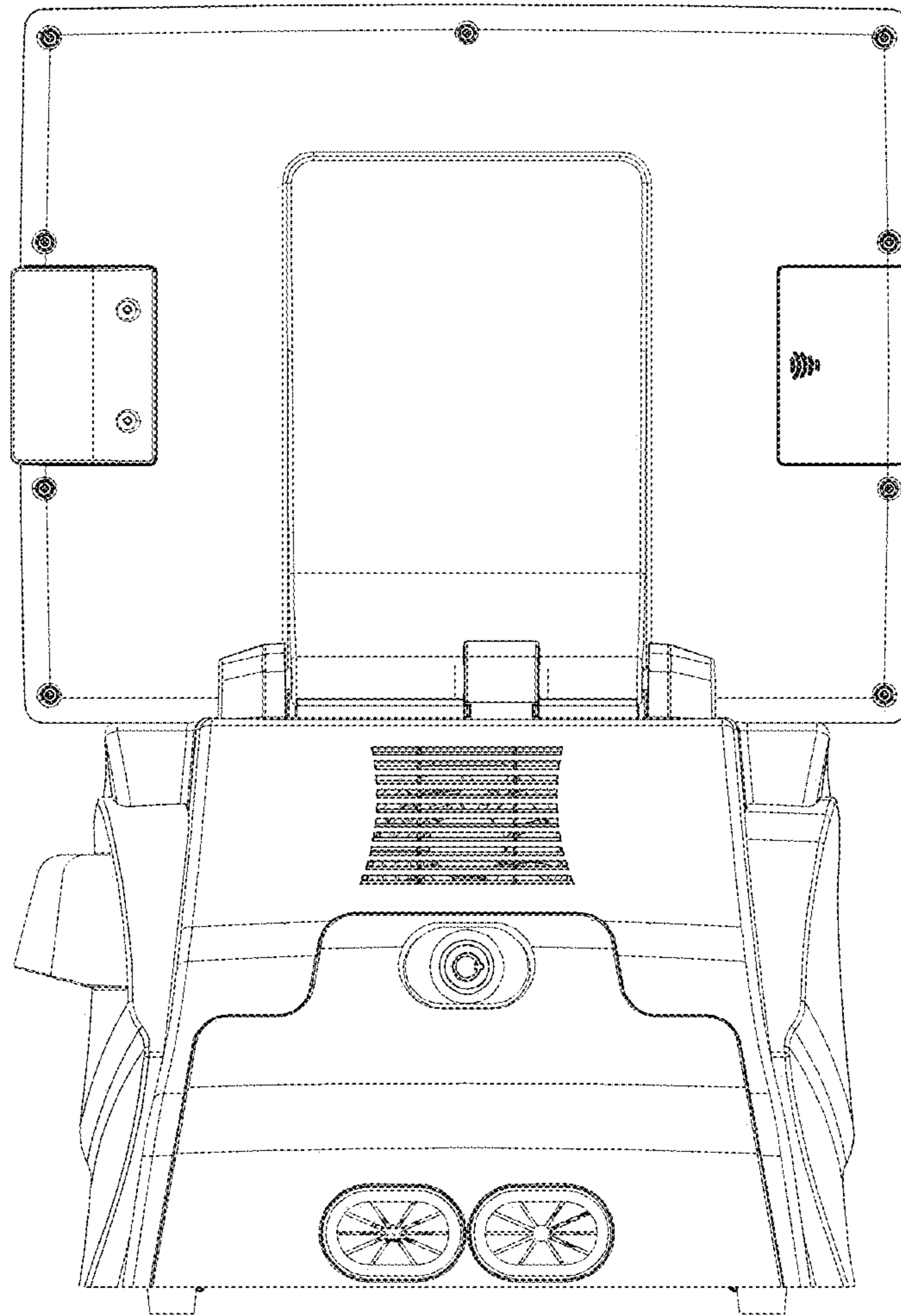


Fig. 3

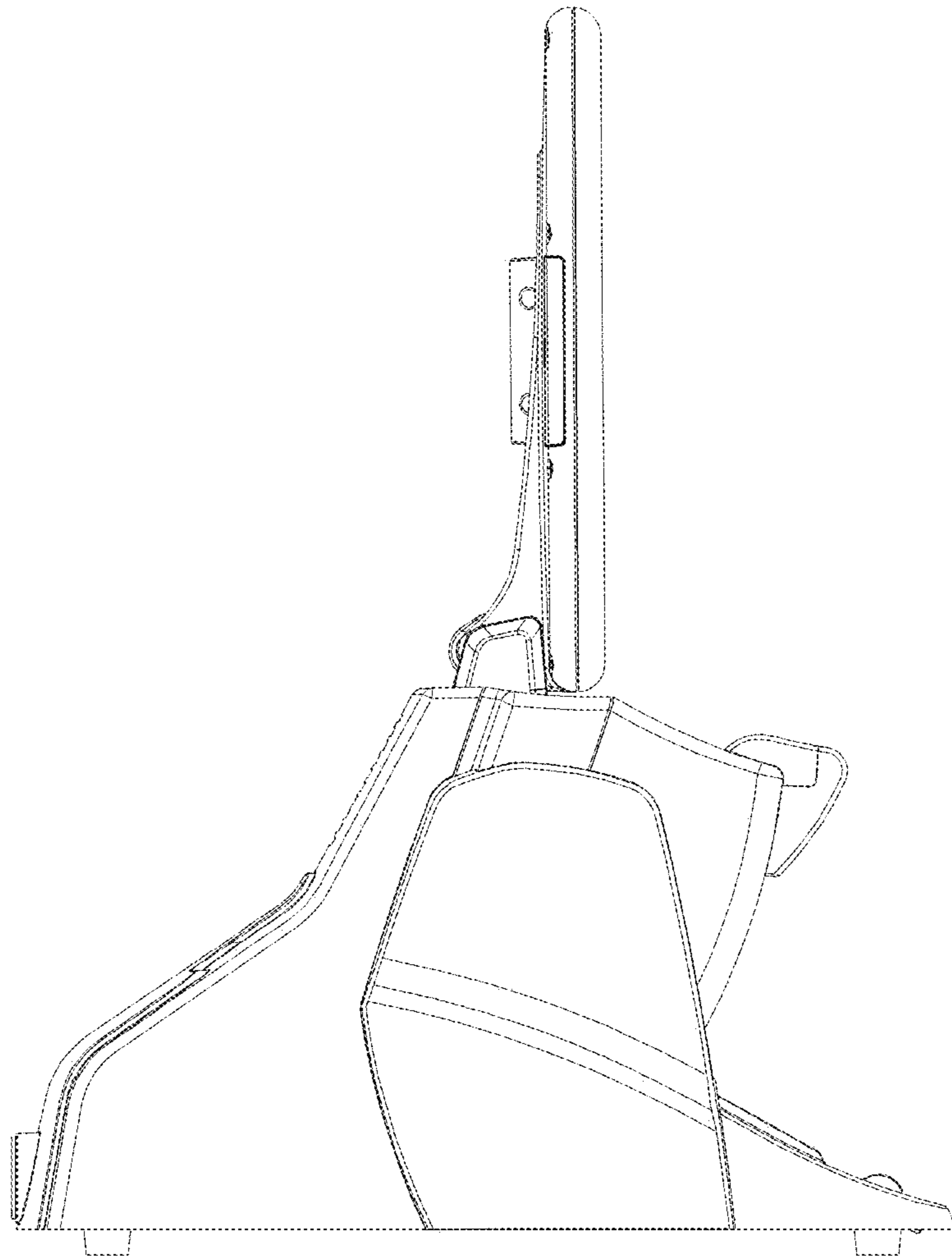


Fig.4

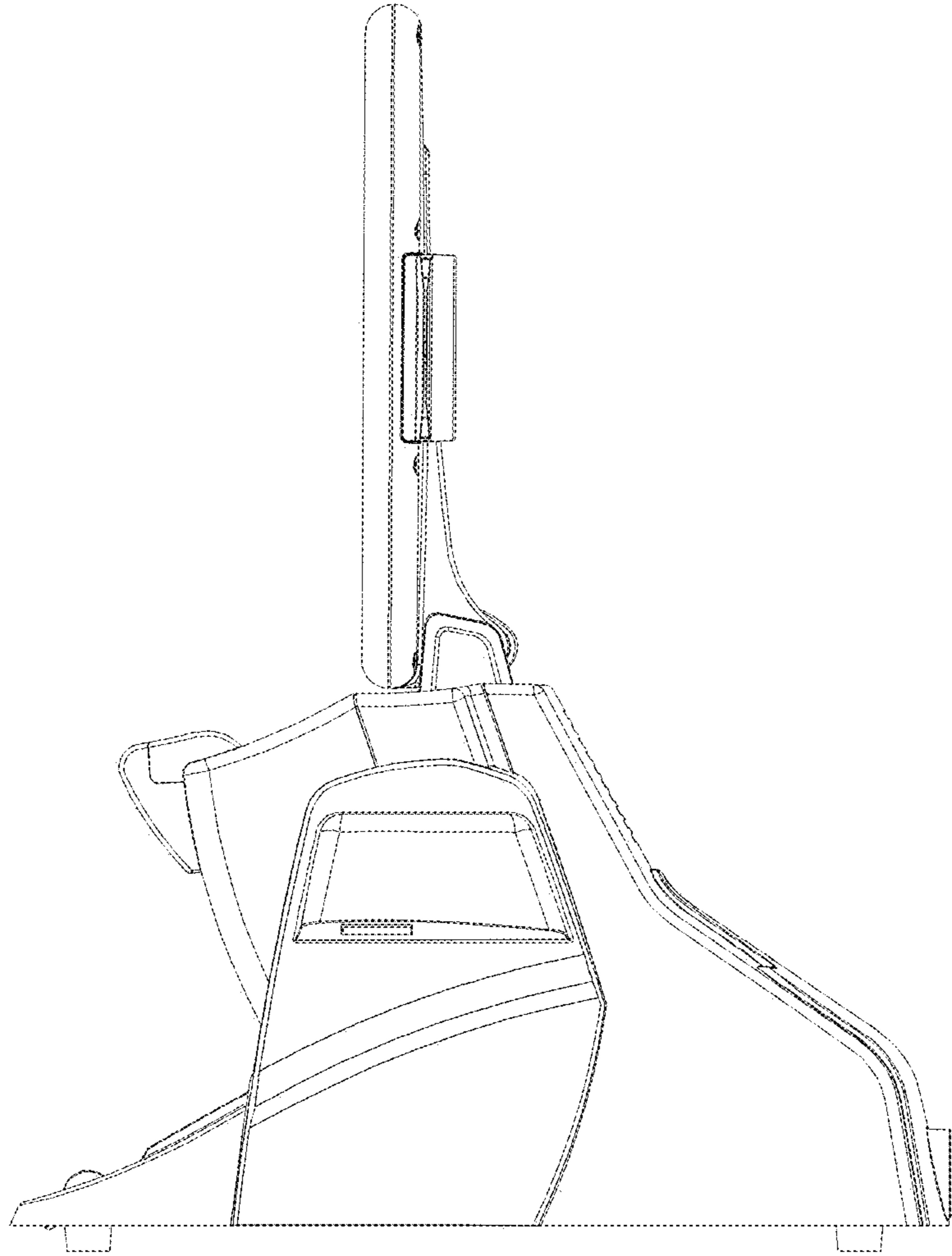


Fig. 5

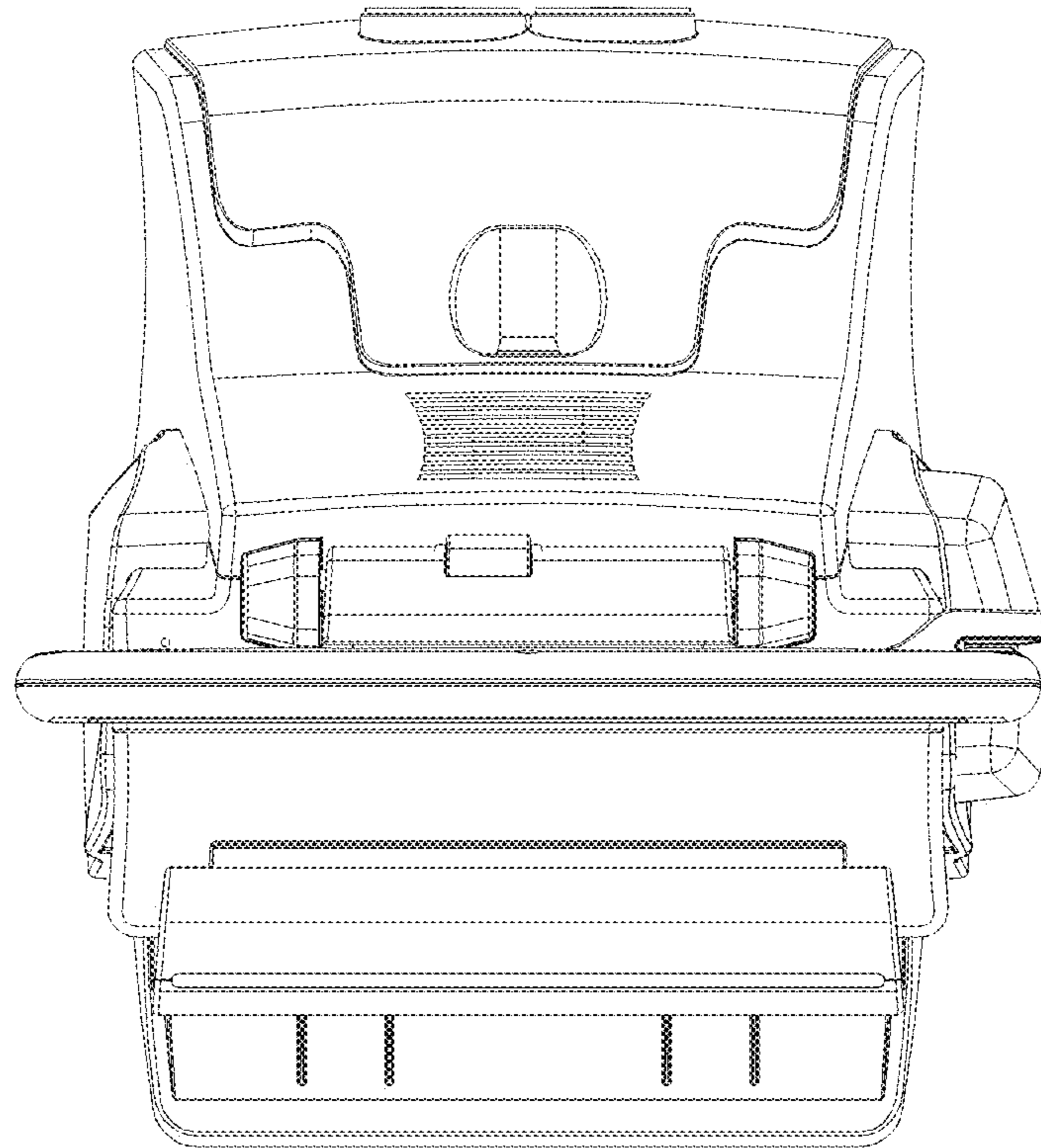


Fig. 6

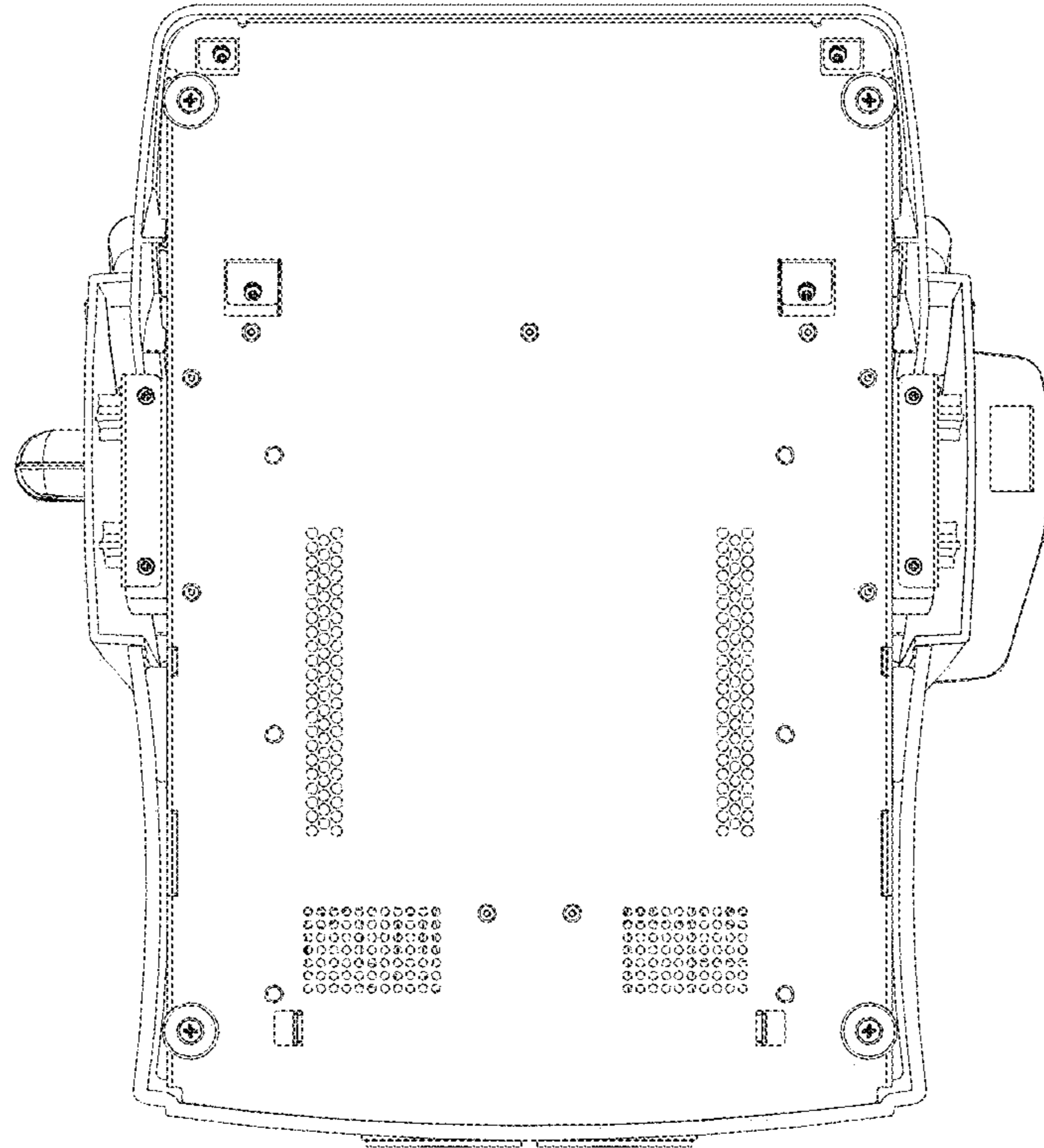


Fig. 7